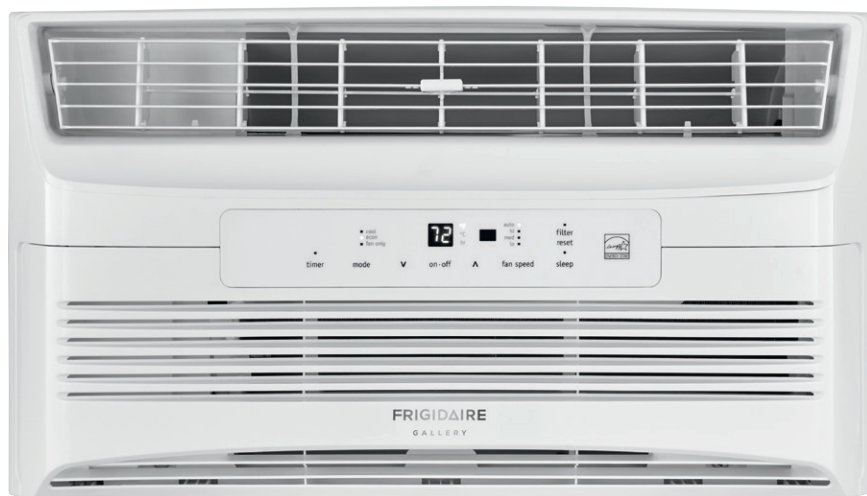


# FRIGIDAIRE GALLERY

## FGRQ0633U1

### HOME COMFORT

#### QUIET TEMP™ ROOM AIR CONDITIONER



#### PRODUCT DIMENSIONS

Height	13-7/16"
Width	21-1/4"
Depth	19"

#### MORE EASY-TO-USE FEATURES

##### Programmable 24 Hr. On/Off Timer

The built-in timer allows you to preset the unit to turn on and off in half-hour increments.

##### Energy Saver Mode

Cools similarly to central air, with the unit turning on and off at different intervals to ensure the room temperature stays at the set temperature.

##### Comfortably Cool Rooms

With 6,000 BTUs, the AC unit is ideal for cooling rooms up to 250 square feet.

##### Multi-Speed Fan

Features three different fan speeds, for more cooling flexibility.

##### Effortless™ Temperature Control

Our air conditioners maintain the preset room temperature, so you will remain comfortable at all times.

##### Sleep Mode

Maximum comfort throughout the evening hours with the added benefit of energy savings. With Sleep Mode, the temperature gradually increases a few degrees over the evening.

##### Easy Install Window Kit

The easy install window kit features insulated side panels that minimize air leaks and ensure that cool air remains in the room, saving you on energy costs.

##### ENERGY STAR®-Certified

Use less energy than standard air conditioners reducing your energy usage, and ultimately lowering your utility bills.

##### Remote Control

Allows you to precisely control the temperature and fan speed from across the room.

#### CERTIFICATIONS

ENERGY STAR®



#### SIGNATURE FEATURES



##### Quiet Operation

At just 41 decibels, the Quiet Temp™ room air conditioner provides maximum comfort with minimal noise.



##### Modern Design

Reimagine what an air conditioner looks like. With a new modern design, the Quiet Temp™ room air conditioner blends seamlessly into any room.



##### Quick & Even Cooling of Any Room

Innovative louvers direct airflow in an outward, circular motion, allowing for quick & even cooling of the entire room.



##### Easy-to-Clean Washable Filter

Capture dust from the air and keep your air conditioner working efficiently with our easy-to-clean washable filter.

PERFORMANCE	BTUS
Cool	6,000

# FGRQ0633U1 HOME COMFORT

## QUIET TEMP™ ROOM AIR CONDITIONER

FRIGIDAIRE  
GALLERY.

### PERFORMANCE

BTU (Cool)	6,000
Dehumidification (Pints/Hour)	1.3
Cool Area (Up To Sq.Ft.)	250
Combined Energy Efficiency Ratio	12.1
Energy Efficiency Ratio	12.2

### ELECTRICAL

Volts	115
Amps (Cool)	4.3
Watts (Cool)	490
Length of Power Cord (Min./Max.)	6' / 6.5'
Plug Type (NEMA)	LCDI (5-15P)

### FEATURES

Quiet Temp™	41 dBA
Electronic Controls	Ready-Select® Controls
Fan Speeds (Cool/Fan)	3/3
Low Voltage Start-Up	Yes
Auto Cool Function	Yes
Energy Saver Mode	Yes
Sleep Mode	Yes
Filter Check	Yes
24-Hour On/Off Timer	Yes
Clean Air Ionizer	
Remote Control	Full-Function
Air CFM (High/Med/Low)	170/150/120
Air Direction Control	4-Way
Fresh Air/Exhaust Vent/Closed	No/No/Yes
Filter Type	Easy-to-Clean Washable Filter
Filter Access	Slide-Out
Slide-Out Chassis	
Window Mounting Kit (Included)	Pleated Quick Mount
Warranty <sup>1</sup>	Yes

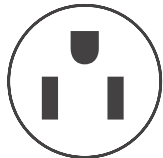
### CERTIFICATIONS

ENERGY STAR®	Yes
Performance	AHAM

### SPECIFICATIONS

Refrigerant	R410a
Shipping Weight (Approx.)	63 Lbs.

<sup>1</sup>Warranty 5 year sealed system/1 year full parts and labor.



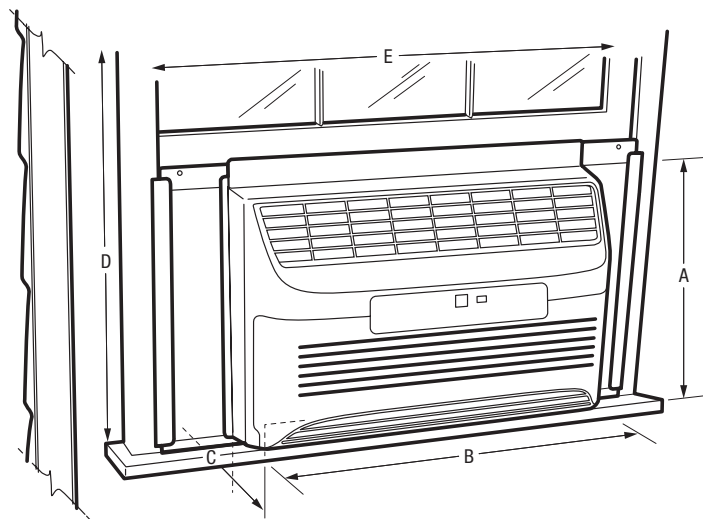
Plug Type (NEMA)  
5-15P

### PRODUCT DIMENSIONS

A - Height	13-7/16"
B - Width	21-1/4"
C - Depth	19"

### WINDOW DIMENSIONS

D - Height (Min.)	14"
E - Width (Min./Max.)	23" / 36"



**Note:** For planning purposes only. Always consult local and national electric, gas and plumbing codes. Refer to Product Installation Guide for detailed installation instructions on the web at [frigidaire.com](http://frigidaire.com).

Specifications subject to change. Accessories information available on the web at [frigidaire.com](http://frigidaire.com)

FRIGIDAIRE

USA • 10200 David Taylor Drive • Charlotte, NC 28262 • 1-800-FRIGIDAIRE • [frigidaire.com](http://frigidaire.com)  
CANADA • 5855 Terry Fox Way • Mississauga, ON L5V 3E4 • 1-800-265-8352 • [frigidaire.ca](http://frigidaire.ca)

FGRQ0633U1 03/20  
© 2018 Electrolux Home Products, Inc.