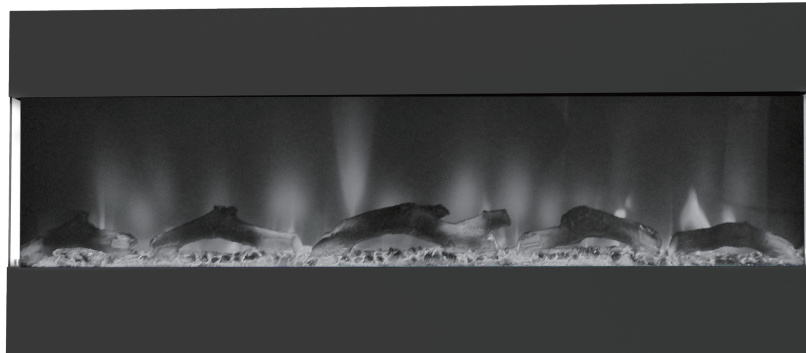


Installation and Operation Instructions

ELECTRIC FIREPLACE

X42RECWMEF-1BLK X42RECWMEF-1WHT
X50RECWMEF-1BLK X50RECWMEF-1WHT
X60RECWMEF-1BLK X60RECWMEF-1WHT



READ & SAVE THESE INSTRUCTIONS

Carefully read and review before assembling, installing, operating or maintaining this product. Observe all safety instructions and information.

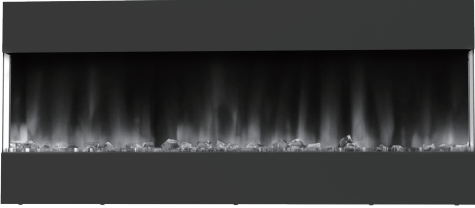
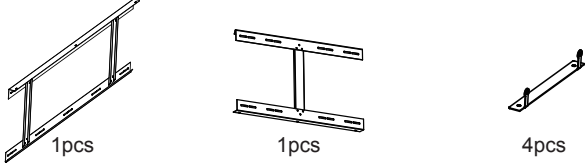

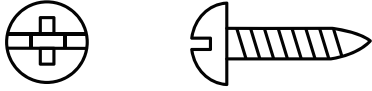
FAILURE TO FOLLOW WARNINGS & OPERATIONAL INSTRUCTIONS CONTAINED IN THIS MANUAL CAN RESULT IN PROPERTY DAMAGE OR PERSONAL INJURY.



TABLE OF CONTENTS

Tool list	2
Assembly Instructions	2-3
Important Safety Instructions	3-4
Listing Approvals	5
Glass Particles Installation Instructions	6
Product Dimensions	7-8
Installation	9-11
Operating Instructions	12
Remote Control Instructions	13
Temperature Limiting Control	14
Trouble Shooting	14
Cleaning	14

Suggested tools: Phillip head screw driver, power drill, drill bit, and a tape measure. Unit needs to be hung on wall stud for more security and stability.

<p>(1) Fireplace assembly 1 PC</p> 	<p>(2) Steel holder</p> <p>WALL MOUNTING</p> <p>50"/60" 42" Embedded</p> <p>42"/50"/60"</p> 
<p>(3) Remote Control</p>  <p style="text-align: right;">1pcs</p>	<p>(4) Screw</p>  <p>$\Phi 4\text{mm} \times 40\text{mm}$ 20pcs</p> <p>$\Phi 4\text{mm} \times 10\text{mm}$ 10pcs</p>
<p>Care and Cleaning Instructions: Before using, wipe with a clean, dry cloth. Avoid rubbing or scratching the surface with rough or abrasive objects.</p>	<p style="text-align: center;">Assembly Tool Required</p> <p style="text-align: center;">Phillips Screwdriver</p>

Tool List: drill bit, drill, tape measure and pencil.

**Remote Control Electric Wall-Mount Fireplace
 Assembly Instructions**

Quick Reference Guide

1. Prior to plugging your heater into a power outlet, first verify that the circuit breaker for the outlet is on.

2. The heater may emit a slight, harmless odour when first used. This odour is normal and it is caused by the initial heating of internal heater parts and will not occur again.
3. If the heater does not emit heat, Consult your User's Guide for further information.

CAUTION

RISK OF ELECTRIC SHOCK

DO NOT OPEN THE UNIT

NO USER-SERVICEABLE PARTS INSIDE

HIGH TEMPERATURE

KEEP ELECTRICAL CORDS, DRAPERY AND OTHER FURNISHINGS AT LEAST 1 METRE FROM FRONT OF THE HEATER AND KEEP THEM AWAY FROM THE SIDES OF HEATER

WARNING

RISK OF FIRE - KEEP COMBUSTIBLE MATERIAL AWAY FROM TOP OF HEATER.

SERVICING SHOULD BE DONE ONLY WHILE THE HEATER IS UNPLUGGED FROM POWER SUPPLY.

The flame effect on the wall hanging fireplace is created by LED surface mounted components that are designed to last the life of the product. Do not remove back cover of heater, no user serviceable parts are contained within.

IMPORTANT SAFETY INSTRUCTIONS

When using electrical appliances, basic safety precautions should always be followed, including the following:

- **IMPORTANT:** Read all instructions and warnings carefully before starting installation. Failure to follow these instructions may result in a possible electric shock or fire hazard and will void the warranty.
- Before connecting the appliance, be sure that the mains voltage available matches that specified on the rating plate, and that the outlet is suitably grounded.
- This appliance can be used by children aged from 8 years and above and persons with reduced physical, sensory or mental capabilities or lack of experience and knowledge if they have been given supervision or

instruction concerning use of the appliance in a safe way and understand the hazards involved.

- Children aged from 3 years and less than 8 years shall only switch on/off the appliance provided that it has been placed or installed in its intended normal operating position and they have been given supervision or instruction concerning use of the appliance in a safe way and understand the hazards involved. Children aged from 3 years and less than 8 years shall not plug in, regulate, or clean the appliance or perform user maintenance.
- Children under 3 years should be kept away unless continuously supervised.
- Some parts of this product can become very hot and cause burns. Particular attention has to be given where children and vulnerable people are present.
- If the supply cord is damaged, it must be replaced by the manufacturer, its service agent or a similarly qualified person in order to avoid a hazard.
- **WARNING:** In order to avoid overheating, do not cover the heater.
- The heater must not be located immediately below a socket outlet.
- **CAUTION:** In order to avoid a hazard due to the inadvertent resetting of the thermal cut-out, this appliance must not be supplied through an external switching device, such as a timer, or connected to a circuit that is regularly switched on and off by the utility.
- **WARNING:** This heater is not equipped with a device to control the room temperature. Do not use this heater in small rooms when they are occupied by persons not capable of leaving the room on their own, unless constant supervision is provided.
- Do not attempt to repair, disassemble or modify the appliance. This unit contains no user-serviceable parts.
- Always unplug or disconnect the appliance from the mains power supply when not in use, or when moving or cleaning it. Do not pull the cord to unplug the heater.
- Keep the heater clean. Do not allow any object to enter the ventilation or exhaust opening as this may cause electric shock, fire, or damage to the heater.
- Do not use the appliance for other than its intended use. It is designed for domestic indoor use only.
- There may be a trace of odour during the first few minutes of initial use, or after a period of storage. This is normal and will quickly disappear.
- If the glass is damaged, do not use the heater in order to avoid a hazard.
- Avoid the use of an extension cord, as the cord may overheat and cause a risk of fire.
- This fireplace is hot when in use. To avoid burns, do not let bare skin touch hot surfaced. If provided, use handles when moving this appliance.
- Keep combustible materials, such as furniture, pillows, bedding, papers, clothes and curtains at least 3 feet from the front and sides of this appliance.
- This appliance is not intended for use in bathrooms, laundry areas and similar indoor locations. Never locate this appliance where it may fall into a bathtub or otherwise become exposed to water.
- Do not run the cord under carpeting. So not cover the cord with throw rugs, runners or the like. Ensure the cord is kept away from traffic areas, and kept in a position which would not present a trip hazard.
- To disconnect this appliance, turn the controls to the off position, then remove the plug from the outlet.
- This appliance has hot and arching or sparking parts inside. Do not use it in areas where gasoline, paint, or any flammable liquids are used or stored.
- This appliance should not be used as a drying rack for clothing, nor should Christmas stockings or decorations be hung on or near it.

LISTING APPROVALS

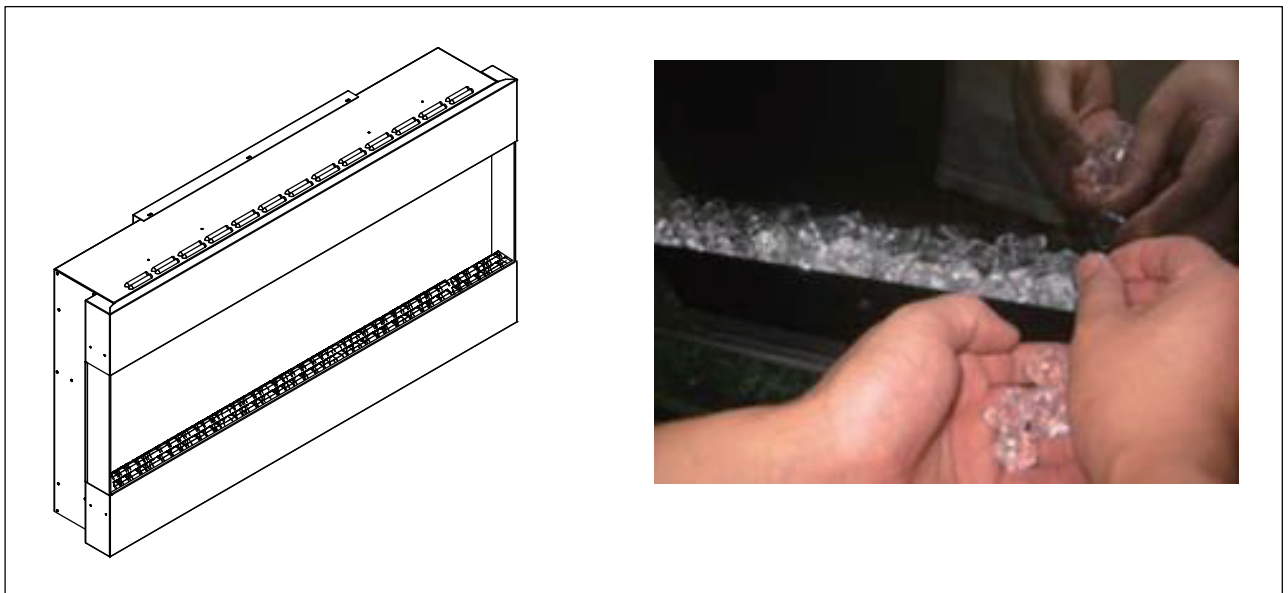
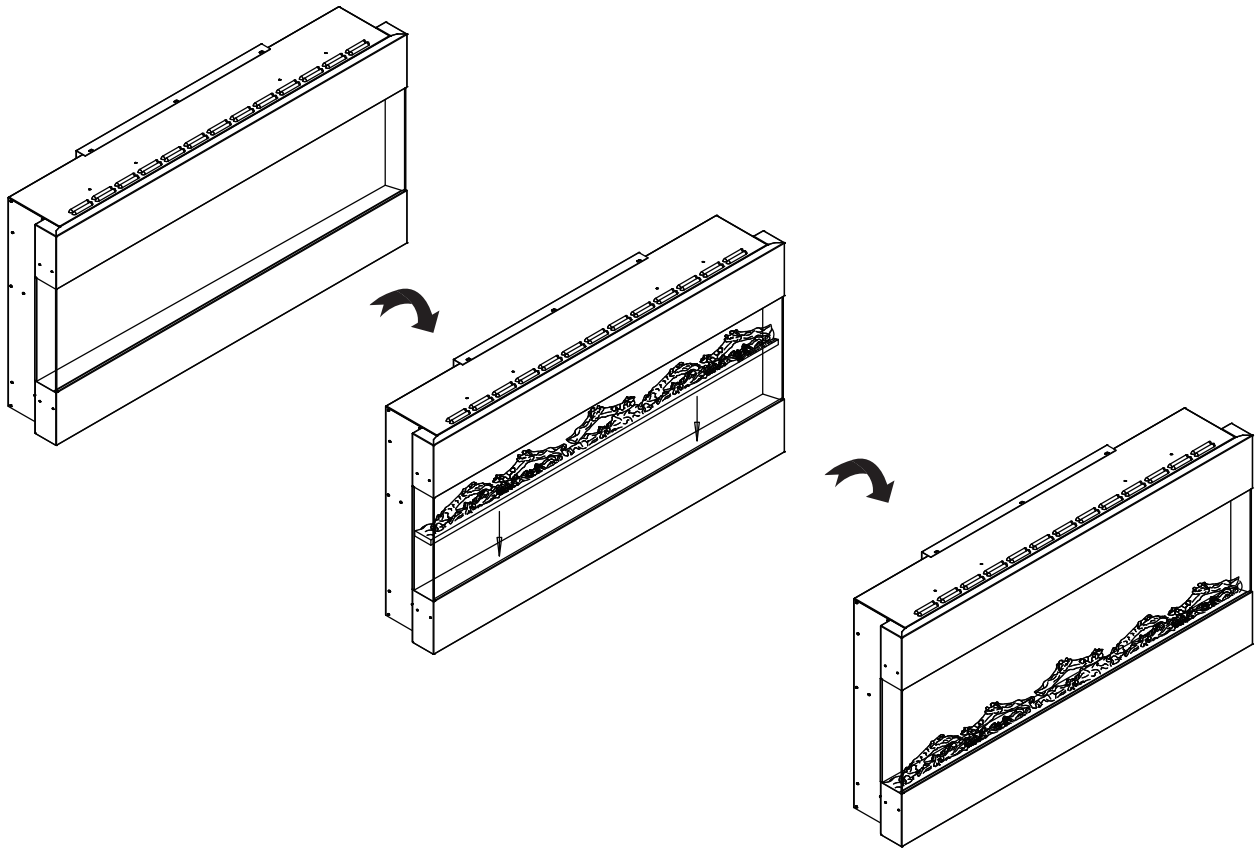
This heater has been tested in accordance with the CSA Standards.

Model Number:	Length:	Height:	Depth:
X42RECWMEF-1BLK X42RECWMEF-1WHT	42.0"	21.8"	7.0"
X50RECWMEF-1BLK X50RECWMEF-1WHT	50.0"	21.8"	7.0"
X60RECWMEF-1BLK X60RECWMEF-1WHT	60.0"	21.8"	7.0"
Description:	Wall Mount Electric Fireplace		
Voltage:	120V AC, 60Hz		
Watts:	MAX 1500W		

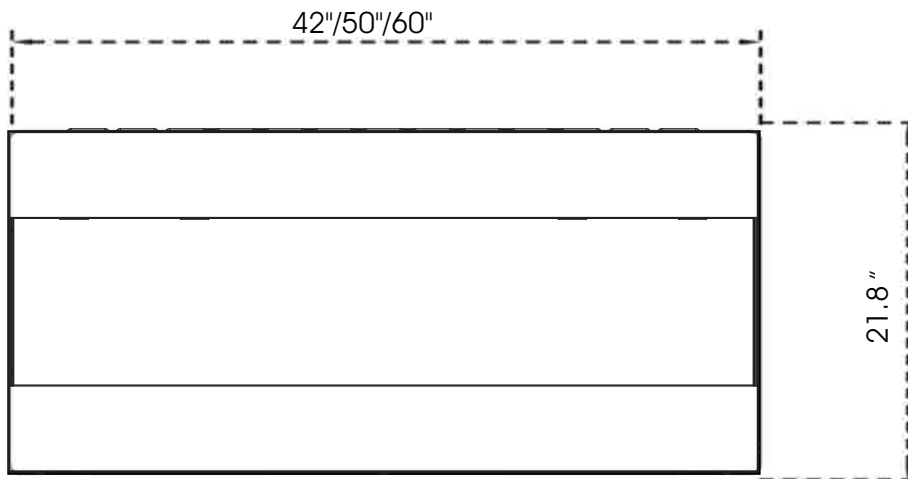
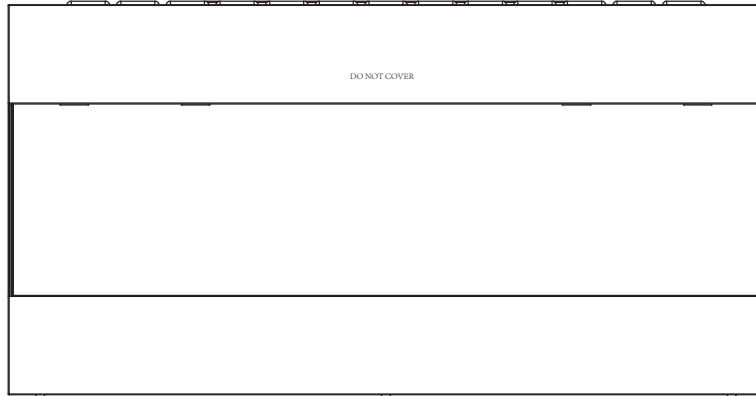
GLASS PARTICLES INSTALLATION INSTRUCTIONS

Instructions:

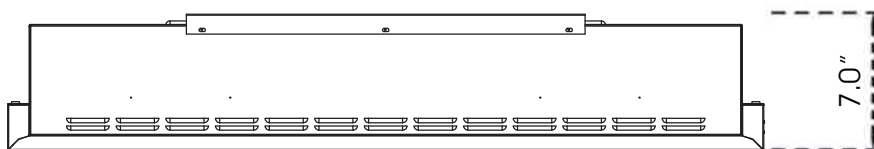
Install the charcoal fire or glass crystal media on the plastic strip.



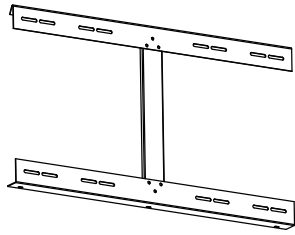
PRODUCT DIMENSIONS



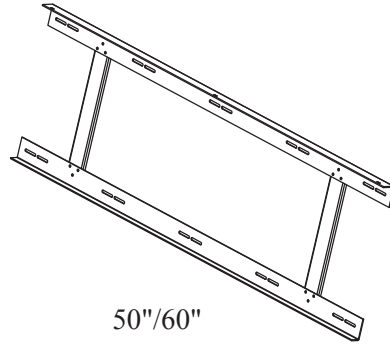
FRONT VIEW



BOTTOM VIEW

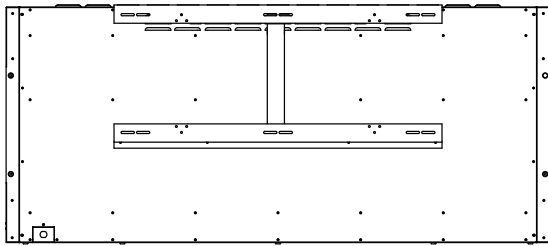


42"

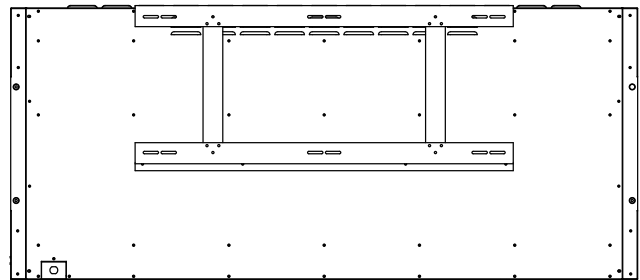


50"/60"

Mounting Bar



42"



50"/60"

BACK VIEW

PRODUCT DIMENSIONS

WARNING: Due to high temperatures, this electric fireplace should be located out of traffic. Keep combustible materials such as furniture, pillows, bedding, papers, clothes and curtains at least 36" from the top of the heater.

WARNING: Never locate this electric fireplace where it may fall into a bathtub or other water container.

CAUTION: Do not expose the electric fireplace to the elements (such as rain, etc)

WARNING: To prevent contact with sagging or loose insulation, the electric fireplace must not be installed against a vapor barrier or exposed insulation. Localized overheating could occur and a fire could result.

UNPACKING AND TESTING FIREPLACE

Carefully remove the unit from the box. Prior to installing the unit, test to make sure the unit operates properly. To do this, plug the unit's power supply cord into a conveniently located 120 Volt grounded outlet.

INSTALLATION

WARNING: RISK OF FIRE! The power cord must not be pinched or against a sharp edge. Secure cord to avoid tripping or snagging to reduce risk of fire, electric shock or personal injury. Do not run cord under carpeting. Do not cover cord with throw rugs, runners or the like. Arrange cord away from traffic area and where it will not be tripped over.

WARNING: RISK OF FIRE! To prevent a possible fire, do not block air intake or exhaust in any manner. Do not use on soft surfaces where openings may become blocked.

WARNING: RISK OF FIRE! Do not place insulation against the fireplace.

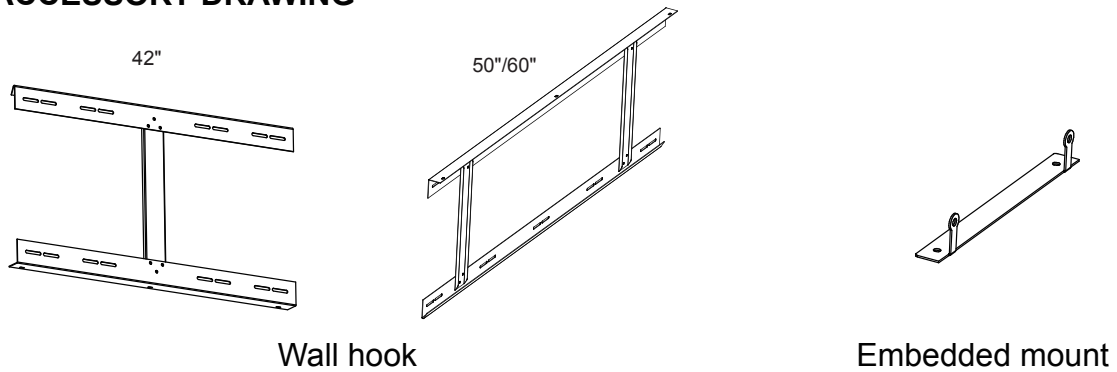
WARNING: This electric fireplace is tested and listed for use only with the approved optional accessories. Use of optional accessories not specifically tested for this electric fireplace could void the heater warranty and / or result in a safety hazard.

WARNING: If the information in these instructions is not followed exactly, a fire or explosion may result causing property damage, personal injury or death. Do not store or use gasoline or other flammable vapors in the vicinity of this or any other heater.

INSTALLATION

INSTALLATION INSTRUCTIONS

ACCESSORY DRAWING

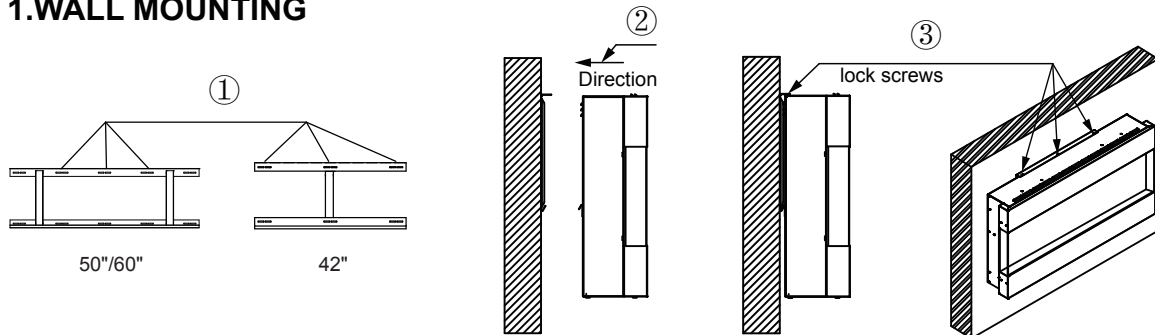


Wall hook

Embedded mount

There are 3 ways to install the product. Please follow the steps to install machine:

1. WALL MOUNTING

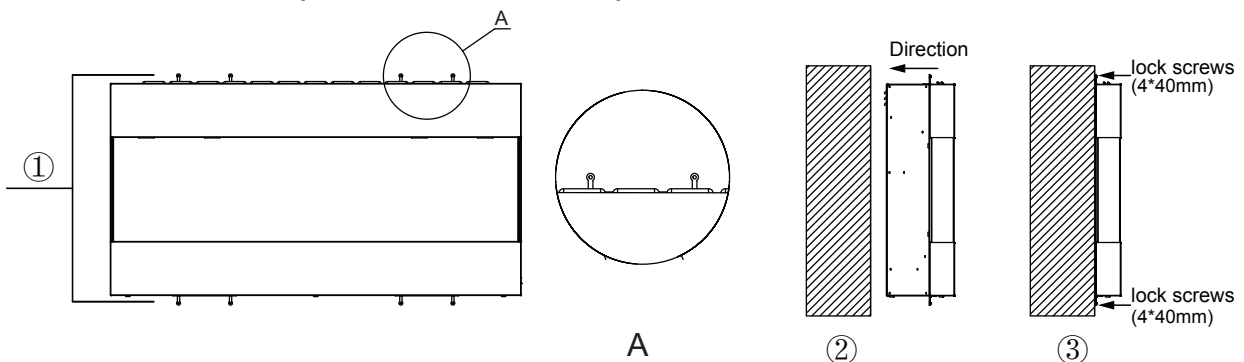


① Mount the hook on the wall and fix the screws (4*40mm)

② Mount the fireplace on the hook

③ lock 3 screws in total

2. EMBEDDED (USING FIXED PIECE)

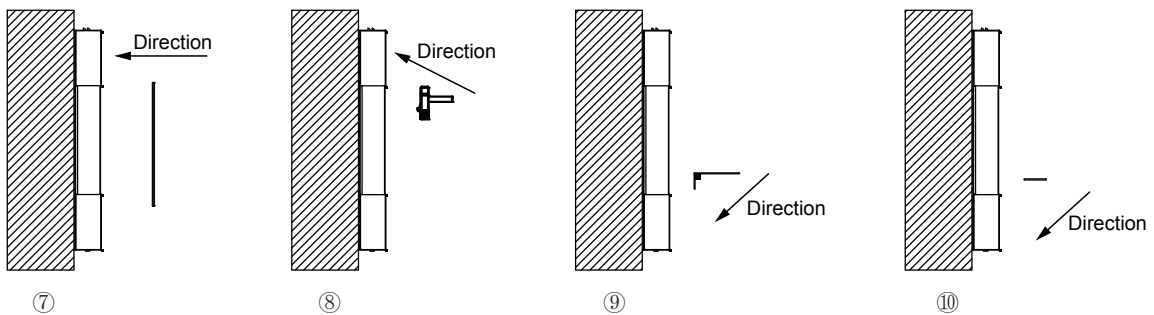
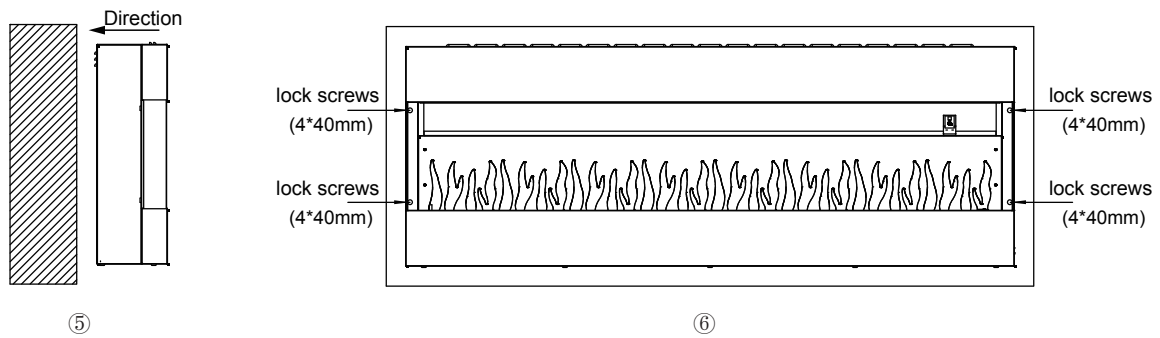
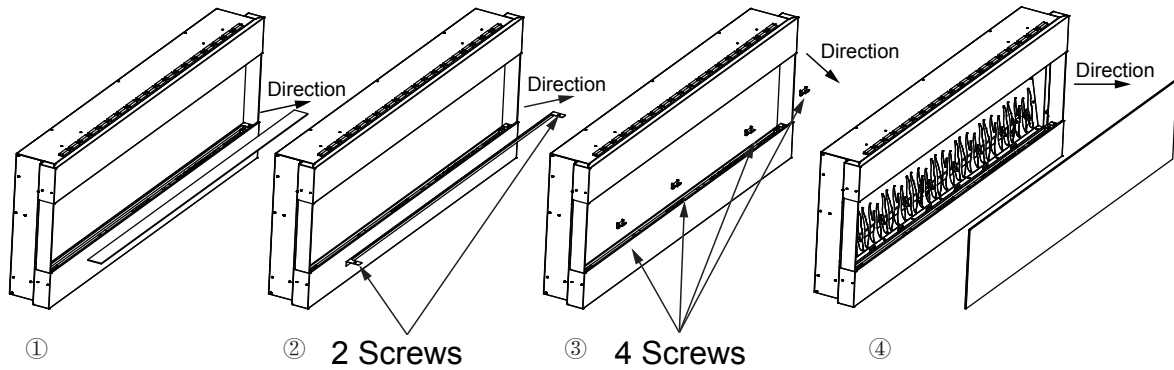


① Install the fixed pieces on the machine

② Put the fireplace in the wall

③ Fix the fireplace on the wall

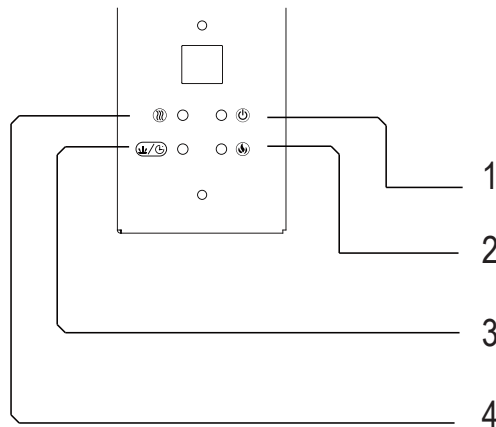
3. EMBEDDED (INNER INSTALLATION)



- ①. Remove the acrylic plate
- ②. Remove the glass bead
- ③. Remove the plastic glass buckle
- ④. Remove the glass
- ⑤. Embed the fireplace into the wall

- ⑥. Fix the fireplace to the wall
- ⑦. Restore glass
- ⑧. Restore plastic glass buckle
- ⑨. Restore the glass bead
- ⑩. Restore acrylic sheet

OPERATING INSTRUCTIONS



LOCATION

The master power switch is located on the right side of the appliance. The control panel is on the right corner of the glass.

MASTER SWITCH

The master switch controls the power supply to the appliance. Turn the switch to “I” to connect power and turn the switch to “O” to cut the power. There will be a chiming sound when turning to “I”.

1.POWER ON/OFF

Touch the button once (flame will light up) to turn power on for all functions , keep the last flame color once appliance off. Touch the button once more to turn all functions off and flame off.

2.FLAME ADJUSTMENT

Touch the button to turn flame on. There are 10 colors in total . Press this button to change color.

The display will show F1(the orange color), F2(the orange and green color), F3(green color), F4 (green and blue color) F5(blue color), F6(blue and orange color), F7(blue and orange and green color), F8(blue and red color), F9(red color), F0 (all colors loop) to change the different flame color .

3.CHARCOAL FIRE COLOR/TIMER

①Short press to change the charcoal fire color

Touch the button to turn charcoal fire on. There are 10 colors in total. Press this button to change color.

The display will show C1, C2.....C0 (all colors loop) to change the different charcoal fire to same as flame color.

②Long press to set the timer

Set the timer using the button (1 to 9 hours),long press the button once for 1 hour increments.

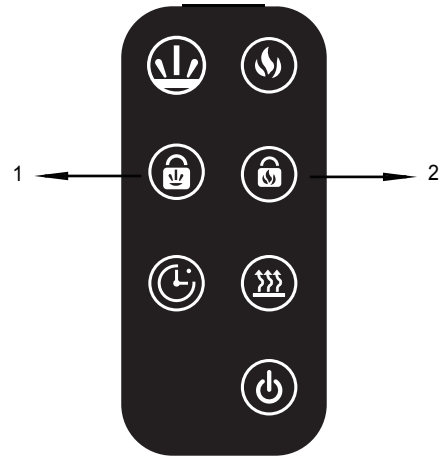
4.HEAT SETTINGS

This fireplace consists of a fan forced electric heater with two heat settings: 750W (“LO” shown in display) and 1500 W (“HI” shown in display). Touch the button once (the icon will light up) to activate the heater at its low level (750W). Touch the button once more to active the heater at its high level (1500W). When set in high level, touch the button once again to deactivate the heater.

Note: The fan will continue to run for a short time and turns off automatically after the heater is turned off.

REMOTE CONTROL FEATURES

1. Install the CR2025 3V battery in the remote control.
2. Turn the master switch on the e-fireplace to 'I' so that it can receive the signal from the remote control.
3. Lock the colour for the flame using button 1. Lock the colour for the Log using button 2. Press the button to see and choose the colour.
4. CAUTION: Never leave the e-fireplace unattended while heating.
5. Refer to Page 11 control buttons/functions for the other buttons on the remote control.



TEMPERATURE LIMITING CONTROL

This heater is equipped with a Temperature Limiting Control. Should the heater reach an unsafe temperature, (115 degrees Celsius) the heater will automatically turn off. To reset: Unplug unit from wall, wait for 5 minutes, plug back in and continue to use.

TROUBLE SHOOTING



WARNING: Turn off the fireplace completely and let cool before servicing.

SYMPTOM	POSSIBLE CAUSES	CORRECTIVE ACTION
Fireplace doesn't work.	Fireplace inner components are overheating or the home circuit breaker has tripped.	Reset switch by turning master switch off and waiting for 5mins, then turning it back on.
Flame is not moving.	Wiring may be loose or the flame motor may be defective.	Call customer service for instructions.
Dim or poorly visible flame or glass pebbles aren't glowing.	LED lights are burnt out or the wiring is loose.	Call customer service for instructions.
Flame sputters	Flame motor is defective.	Call customer service for instructions.
Remote control does not work.	Low battery. Master switch is in "OFF" position.	Change the battery for remote control. Check to make sure the master switch is turned on.
Circuit breaker trips or fuse blows when the unit is on.	Improper circuit current rating.	Call customer service for instructions.
Heater does not provide heat when turned on.	Thermal switch has been tripped. Circuit breaker has been tripped.	Turn the unit off and unplug the unit for 5mins. Plug back in and turn on the unit. Turn off circuit breaker that supplies electricity to the unit, wait 5mins, then flip circuit breaker back on.
Appliance turns off and will not turn on.	Appliance has overheated and its safety device has caused the thermal switch to disconnect. House circuit breaker has tripped.	Unplug the appliance, allow to cool for 15mins, then plug back in. Reset the house circuit breaker.

CLEANING

Turn heater OFF and unplug from outlet. Use a vacuum or duster to keep heat and vent area clean from dust and dirt. The exterior should be cleaned with a damp cloth or duster. Do not use abrasive cleaners, liquid sprays, or any other cleaner that may scratch the surface.