

WARNING

Use caution during installation. The user assumes all risk of injury during setup and use. Please follow the following safety precautions to avoid injury.

1. Never set-up or continue to use the product in rainy, windy or stormy conditions, especially lightning storms. Please remove your canopy top before a storm.
2. Keep your canopy off of steep slopes and inclines.
3. Have at least two adults during installation. Read all instructions carefully and follow accordingly. Failure to do so may result to injury or damage to the canopy.
4. Always inspect the canopy and each part before use. Make sure that everything is tightly secured. Replace any worn, defective or missing parts.
5. After installation, the canopy should be anchored to prevent damage and possible injury. It is the user's responsibility to properly anchor the product.
6. Do not set-up or use the product in close distance to fire or any heat source. Do not use a barbecue grill under the canopy.
7. Do not use the canopy as a permanent shelter. It is designed for temporary use only!
8. Do not bleach canopy cover, dry clean or wash in the washing machine or dry in the dryer. Use only mild soap and water.

ACCESSORIES



To enhance your experience with your Caravan® Canopy, optional accessories are available.

- Full enclosure with dual-zipper front wall.
- Heavy-duty anchor system.

* Must be purchased separately.

LIMITED WARRANTY

Caravan® Global warrants that each part of this product will be free from defects in material and workmanship for a 1 year limited period from date of purchase.

This warranty is void:

- If product is used under other than normal use and maintenance conditions.
- If the product is modified or altered.
- If product is subject to abuse or neglect.
- If product damage is accidental or deliberate or caused by rain, wind, snow/ice or other forces of nature.
- If product use does not conform to product instructions.
- If product is repaired by someone other than Caravan® Global or its authorized representative.

The sole obligation of Caravan® Global under this warranty or any other legal obligation, with respect to the product, is repair or replacement, by Caravan® Global or its authorized representative, of the missing or defective parts causing malfunction with new parts after review and examination by Caravan® Global.

Under no circumstances will the retail customer, user, authorized representative or other person be entitled to any direct, special, indirect, consequential or exemplary damages for breach of contract or otherwise. Under no circumstances will any person be entitled to a sum greater than purchase price of the malfunctioning part.

No Caravan® Global authorized representative or person other than an officer of Caravan® Global may extend or modify this warranty. There are no other warranties from either Caravan® Global or its representatives which extend the face of this warranty. All other warranties, expressed or implied, including the warranties of merchantability, fitness for a particular purpose and fitness for use are excluded.

Please contact Caravan® Global Int'l for specific shipping instructions before returning any part. All shipping costs must be prepaid. Caravan® Global will not be responsible for any products damaged in transit.

Copyright© 2021 Caravan® Global. All Rights Reserved.



Caravan® Canopy
2839 E. El Presidio St. Carson, CA 90810
877-9-CANOPY • 714-367-3000
www.caravancanopy.com

Made in China



DOMAIN[®]
SHELTER
PRO312

12ft x 26ft
3.6m x 7.9m
10 LEG FRAME

INSTALLATION INSTRUCTIONS

Please read instructions **COMPLETELY** before assembly.



DO NOT RETURN PRODUCT TO THE STORE
Missing parts, replacement parts, or assembly help, please contact customer service:
714-367-3000 or 877-922-6679

WARNING!

Use Caution during installation. Safety goggles are recommended. Please read the instructions carefully before installation. This is only a TEMPORARY shelter and is not recommended for permanent use.

Keep all flame and heat sources away from this canopy top fabric.

Do not set-up or leave the canopy unattended in the following conditions: gusty wind, rain, hail, sleet, snow, drizzle, or any other harsh weather conditions. Doing so may cause damage to the entire canopy and will void the warranty. Please call Caravan® Global for any questions or inquiries.

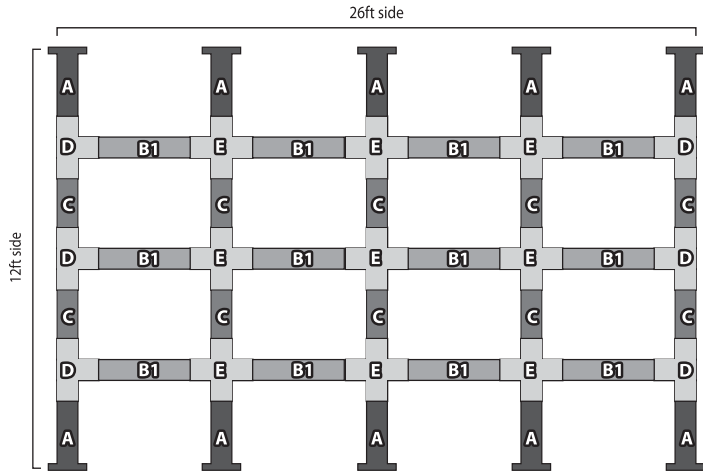
2 person set up required.



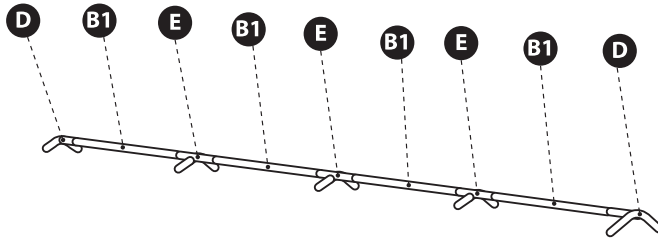
Caravan® Canopy
2839 E. El Presidio St.
Carson, CA 90810
877-9-CANOPY • 714-367-3000
www.caravancanopy.com
Made in China

STEP 1 LAYOUT ALL PARTS

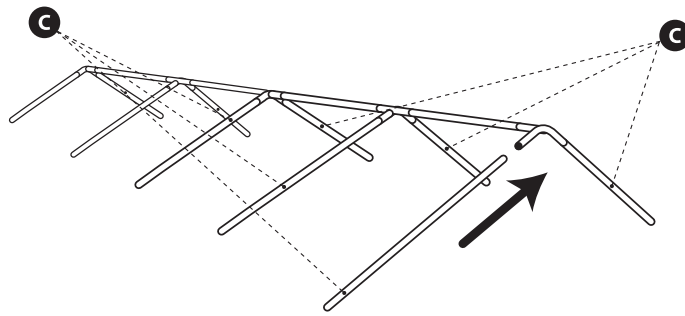
Layout all parts by following the diagram below to make assembly easier.



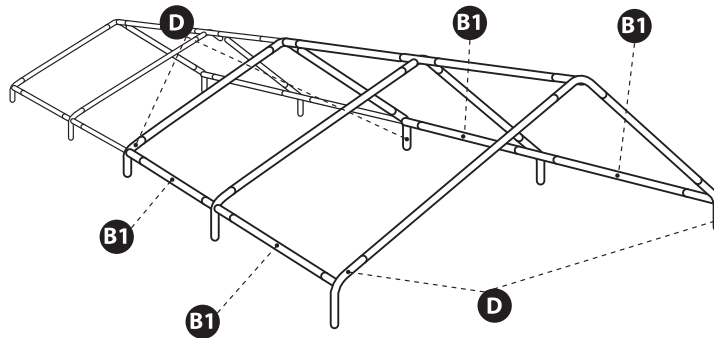
STEP 2 COMBINE THE CENTERPIECE



STEP 3 CONNECT SIDES TO CENTERPIECE

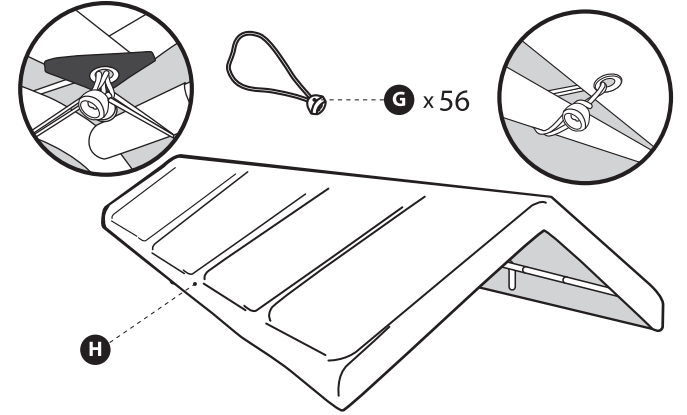


STEP 4 CONNECT CORNERS



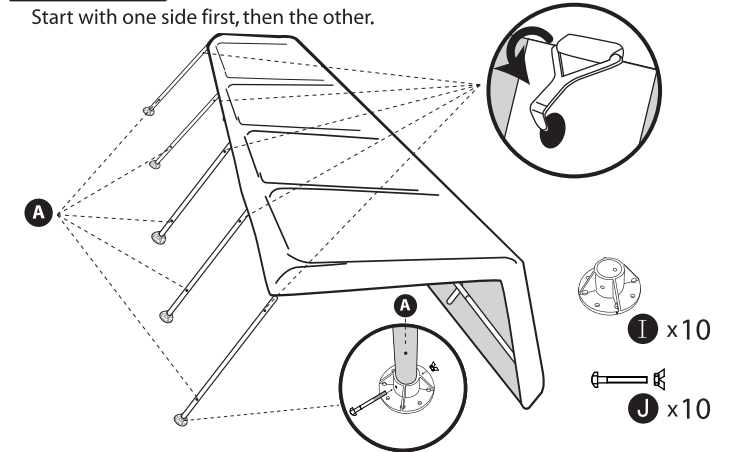
STEP 5 PLACE CANOPY TOP

Secure each corner with the elastic ball straps. Then secure all other grommet points with the remaining ball straps.



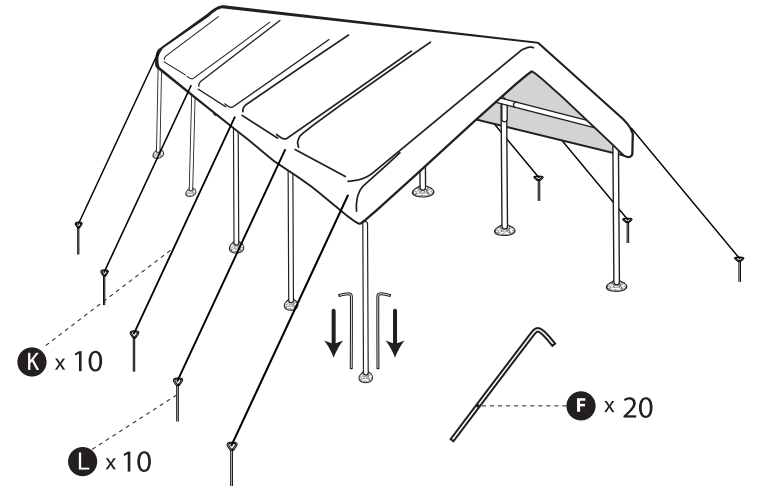
STEP 6 CONNECT LEGS

Start with one side first, then the other.



STEP 7 SECURE CANOPY

Attach the included steel pegs for additional stability.



Guide	Item Code	Description	Qty
A	326D2C00010	Leg	10
B1	326D2C00020	Cross Brace Pole	12
C	326D2C00040	Peak Brace Pole	10
D	326D2C00050	3-Way Corner Bracket	6
E	326D2C00060	4-Way Corner Bracket	9
F	326D2C00070	Steel Pegs	20
G	326D2C00080	Elastic Ball Straps	56
H	326D2C08010	Domain Canopy Top	1
I	326D2C07000	Plastic Foot	10
J	326D2C09000	Bolt and Nut	10
K	326D2C00090	Rope	10
L	326D2C20000	Ground Stake/Peg	10

