

MRS Full Sight

ITEM:MRS-OSP-FULLGD

INSTRUCTIONS

Motion Activated Technology

Click Adjustments

NOTE: PLEASE FOLLOW ALL OF THE DIRECTIONS IN THIS MANUAL CAREFULLY.

CAUTIONS: USE OF CONTROLS OR ADJUSTMENTS OR PERFORMANCE OF PROCEDURES OTHER THAN THOSE LISTED HERE MAY RESULT IN DAMAGE OF YOUR GREEN DOT SIGHT AND FIREARMS.

KEEP OUT OF THE REACH OF CHILDREN.

FOR ADULT USE ONLY.

Statements:

This product has been carefully checked and tested in our factory, please check if the product appearance is damaged caused by transport and the accessories are complete before using the product. The accessories include: 1.One piece of green dot sight with cover(to protect your green dot sight while not in use); 2.Three pieces of Allen wrenches; 3.One

piece of CR1632 battery; 4.One piece of lens cleaning wipe;
5. Instruction manual .

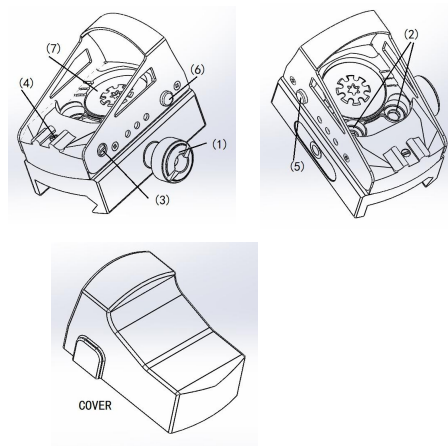


Figure 1

SPECIFICATIONS:

- Model: MRS-OSP-FULLGD
- Brand Name: Osprey Global
- Working current:<4mA
- Working voltage:3V
- Wavelength: 520nm
- **Dot Size: 3MOA**
- Objective Lens:22.5mm*16mm
- Lens Coating:Multi Coated
- Length: 1.8"
- Height :0.95" (without Mount)
- Width : 1"
- Weight: 2.2oz (with Battery)
- Reticle : 8 Levels Green Dot
- Battery: 1pc CR1632 Lithium Battery
- Material: Aircraft aluminum 6061-T6
- Finish: Anodic oxidation/ black
- Working Temperature:-20°C ~ +60°C
- Storage Temperature:-20°C ~ +60°C
- Battery life:approx 100-10000 hours
- Place of Origin: China (Mainland)

Steps:

A. Installing the green dot sight:

CAUTION: BEFORE BEGINNING INSTALLATION OF YOUR GREEN DOT SIGHT BE SURE THAT THE FIREARM IS UNLOADED. ALWAYS PRACTICE SAFE FIREARMS HANDLING PROCEDURES.

Loosen the master screw(1) on the side of the green dot sight, insert the green dot sight into the mount of your firearm by tightening the master screw(1), please pay attention, after tightening the master screw(1) by hand, you must tighten it again with the allen wrench to prevent the unit from falling off your gun.

This green dot sight comes with a picatinny mounting base. It is compatible with various handgun mounting plates (sold separately) that replace rear sight dovetail. It is also compatible with optics ready pistols such as Glock MOS, Springfield OSP, and Taurus TORO using pistol manufacturer provided optic mounting plates. Refer to figure 2 for the reference diagram of special plate size.



Figure 2

B. Zeroing:

WHEN OPERATING ANY TYPE OF FIREARM ALWAYS USE PROPER EYE AND EAR PROTECTION.BE SURE TO USE YOUR FIREARM IN AN AREA THAT IS PERMISSABLE UNDER LOCAL, STATE, AND FEDERAL LAW.

CAUTION: LOOKING DIRECTLY AT THE SUN THROUGH THIS UNIT MAY RESULT IN PERMANENT EYE DAMAGE.

Adjustment screws(3)&(4) are for the adjustment of elevation & windage. there are positive 3/5click MOA adjustments for windage and elevation.

C. ON/OFF Button:

Press ON/OFF button(5)or(6) till it clicks, the green dot sight is on. Push button switch provides varying intensities, in total 8 levels. Mode 1 is day mode, mode 2 and 3 are cloudy mode, mode 4 and 5 are indoor mode, and mode 6

and 7 are night mode, and mode 8 is night vision sight mode.

If you want to turn off the green dot sight at anytime, just continuous press ON/OFF for more than 2 seconds. If you want to turn on the green dot sight,just press ON/OFF quickly and the mode is still the previous.

Motion Activated Technology: While sight is turned on, the green dot illumination goes to sleep after two minutes of inactivity, but when any motion or vibration is detected, it instantly switches on the illumination at the previously used brightness setting.

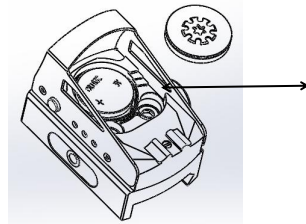
Every time you turn on the dot it will be the same brightness level as the last time it was turned off. When the power is manually turned off, the Motion activated function is also turned off.

D. Exchange the battery:

Loosen the cover(7) on the top of the green dot sight by the Allen wrench, remove the old battery, replace a new battery, please make sure the positive end “+” of the battery faces towards you,otherwise it could damage your product.At last,

tighten the cover(7).

Following images - Figure 3 is for your reference to install the battery.



Positive end'+''

Figure 3

Note: While not in use be sure that the unit is covered and ON/OFF button is off to preserve battery life.

SPECIAL NOTE: THIS UNIT WILL ONLY WORK UNDER THE TEMPERATURES LISTED ABOVE. THE UNIT WILL NOT WORK IN EXTREME COLD OR EXTREME HEAT.IF YOU WON'T USE IT FOR A LONG TIME,PLEASE REMOVE THE BATTERY.

Note:If you are not sure of any of the procedures in this manual, always seek the help of a qualified professional to avoid damage to your laser device and your firearm.