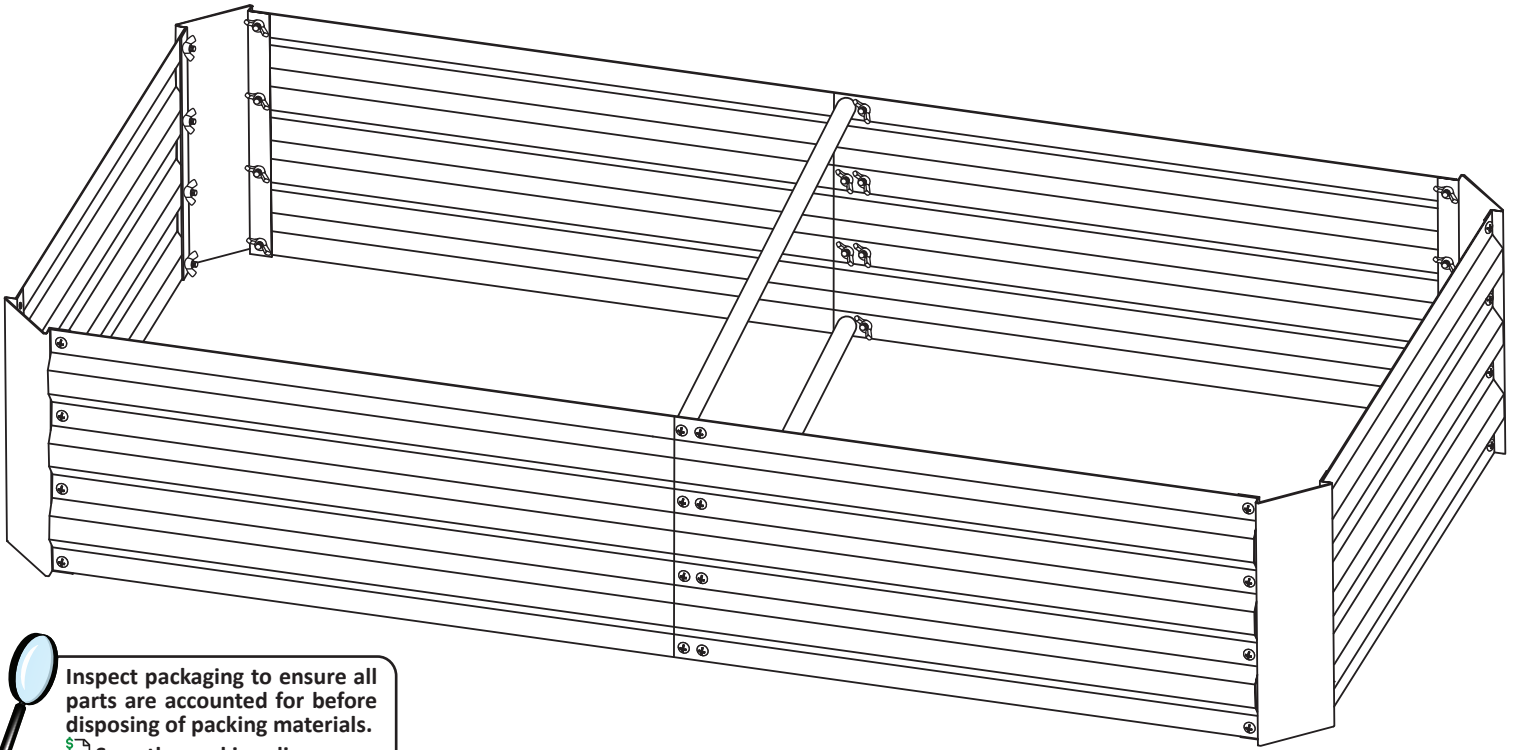




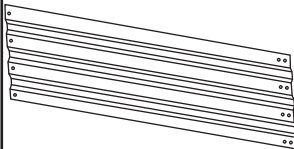
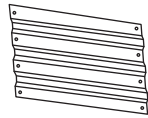
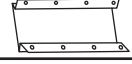
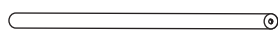


Thank you for choosing Sunnydaze Decor. We stand behind our brand and the quality of the items we sell. Replacement parts or products will be sent at our discretion within the 1-year warranty period. Proof of purchase, with the date of purchase as well as photos of the merchandise defect, must be provided. Photos are used to determine the cause of defects and for future quality control. Register your warranty at <https://tiny.cc/SunnydazeWarranty>. If you have any questions, comments or concerns, feel free to contact us by phone at 833-982-1977, by email: customerservice@sunnydazedecor.com, or via our contact us page at <https://tiny.cc/SunnydazeContact>

LARGE RECTANGLE GALVANIZED STEEL RAISED GARDEN BED

Review all care and assembly information carefully before using this product. Save this manual for future reference.
Assemble components on a soft, clean surface to avoid damaging the finish.



 Inspect packaging to ensure all parts are accounted for before disposing of packing materials.
 Save the packing slip.

No.	PARTS	QTY.
A	 Side Panel	4
B	 End Panel	2
C	 Corner	4
D	 Center Bar	2
E	 M6x10mm Bolt	48
F	 Wing Nut	44

TOOLS REQUIRED (not included)	
	 Phillips Screwdriver



CAUTION:

SHARP EDGES

USE EXTREME CAUTION

◀ WEAR GLOVES DURING ASSEMBLY ▶



WARNING



CHOKING HAZARD — This item contains small parts that can be swallowed. Keep children and pets away during assembly.

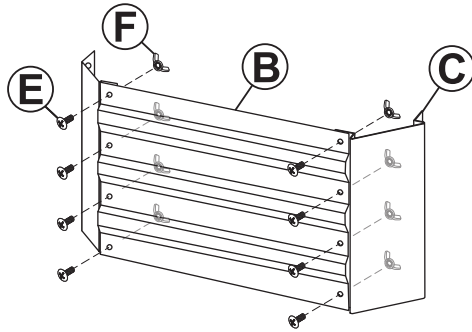
ASSEMBLY

Review all steps and understand assembly before beginning.

Do not fully tighten hardware until all components have been loosely assembled.

STEP 1

B: 2
C: 4
E: 16
F: 16



x2

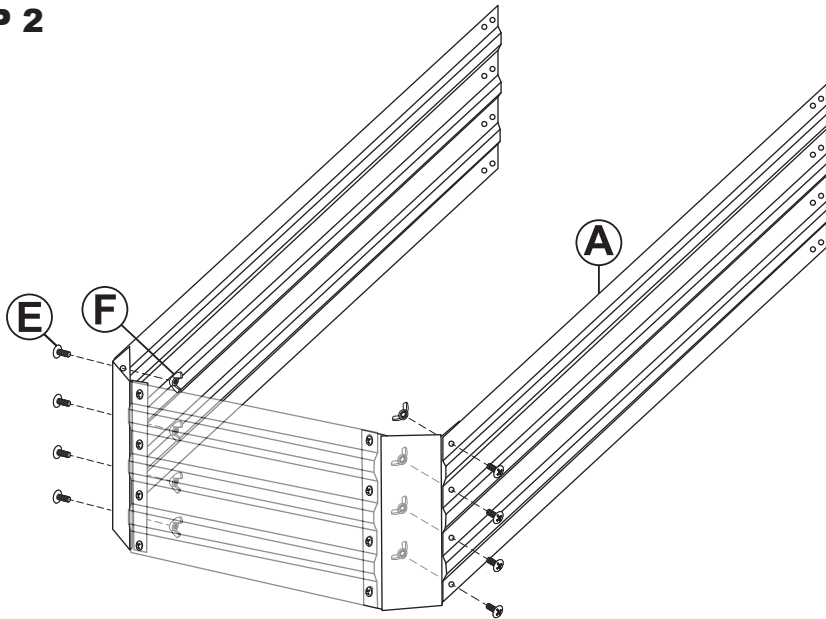
IMPORTANT: Identify the rolled edges of the panels and ensure they are installed facing the inside of the garden bed.

Align two Corners (C) with one End Panel (B) and loosely secure using M6x10mm Bolts (E) and Wing Nuts (F).

Repeat with the remaining end panel and corners.

STEP 2

A: 4
E: 16
F: 16



x2

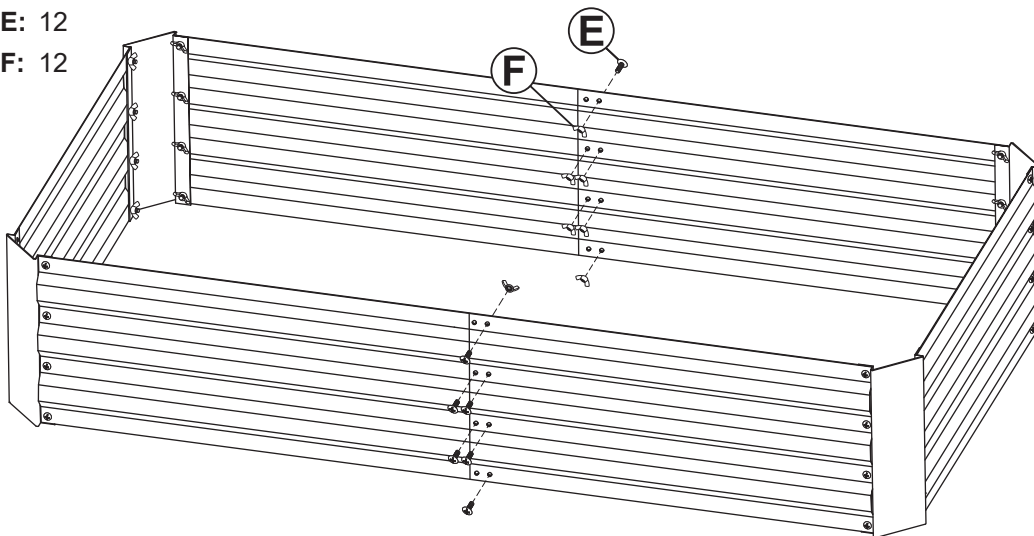
IMPORTANT: One end of the side panels has double mounting holes, install the single-hole side to the corners.

Ensuring the rolled edges are facing the inside of the garden bed, align two Side Panels (A) with the corners and loosely secure using eight bolts and wing nuts.

Repeat to loosely secure the remaining side panels to the other end panel.

STEP 3

E: 12
F: 12



IMPORTANT: The location of hardware installation in the diagram is for maximum stability of the unit, the center bar must be installed in the correct location to achieve optimal structural support.

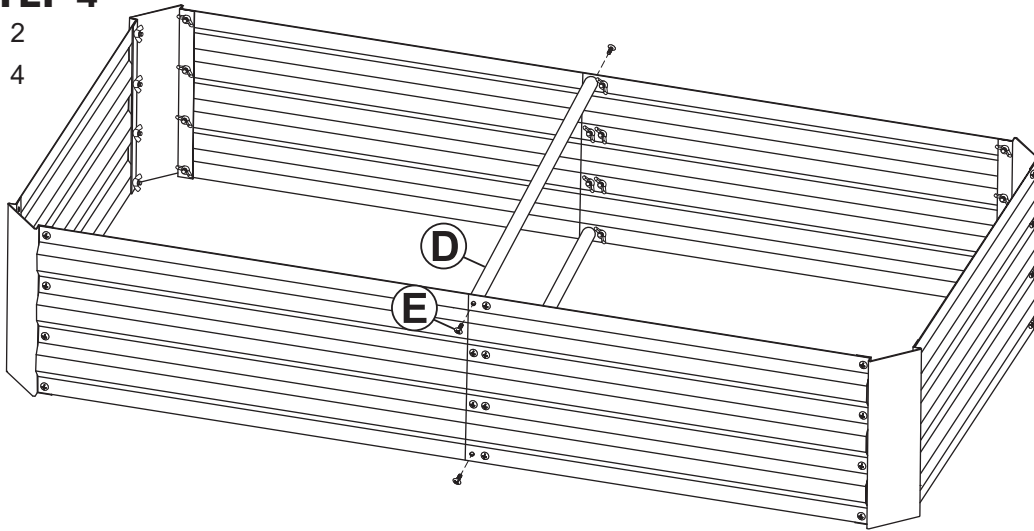
Align the double mounting holes on the side panels.

Loosely fasten six bolts and wingnuts into the mounting holes exactly as shown; do not install hardware into the inner-most mounting holes on the top and bottom of the unit.

STEP 4

D: 2

E: 4



Align one Center Bar (D) with the bottom mounting holes, loosely secure by hand-tightening two bolts.

Then, repeat to secure the remaining center bar to the top of the unit.

Fully tighten all hardware from all previous steps.

USE & CARE

- This garden bed provides ergonomic access to plants and can eliminate the need to till the soil each year as long as the soil is not packed down. Avoid stepping inside the bed!
- Prepare the site before installation. Level the ground and remove existing vegetation. Landscaping fabric can be used under the beds; a double layer is recommended for beds placed directly on a lawn.
- A layer of gravel or stone can be used at the bottom for improved drainage.
- Loosely hand-tighten all nuts and bolt sets first, position the bed, then tighten. After assembly, check that all fastening points are fully secured.
- Galvanized metal beds do not require maintenance and are built to withstand years of exposure to outdoor elements.
- The galvanized finish protects the steel from corrosion. Over time, galvanized steel will fade, and some discoloration is normal. Minor surface rust on edges and hardware is to be expected and should not affect the structural integrity of the product.

⚠ SAFETY STATEMENTS & WARNINGS ⚠

- Wear gloves during assembly to prevent personal injury.
- Do not stand on, or lean objects against the bed wall. Doing so may damage the product.
- Do not let children play in or around the garden bed.
- Using this item for applications other than gardening will void the product warranty.

Any modification to the product or failure to follow recommended care will void the product warranty.

If you experience issues with assembly or the product was damaged during shipping, please contact our customer service team through one of the methods mentioned at the top of page 1.

Please have the item number and order information ready to expedite response time.

⚠ WARNING:

Manufacturer and seller expressly disclaim any and all liability from personal injury, property damage or loss, whether direct or indirect, or incidental, resulting from the incorrect attachment, improper use, inadequate maintenance, or neglect of this product.