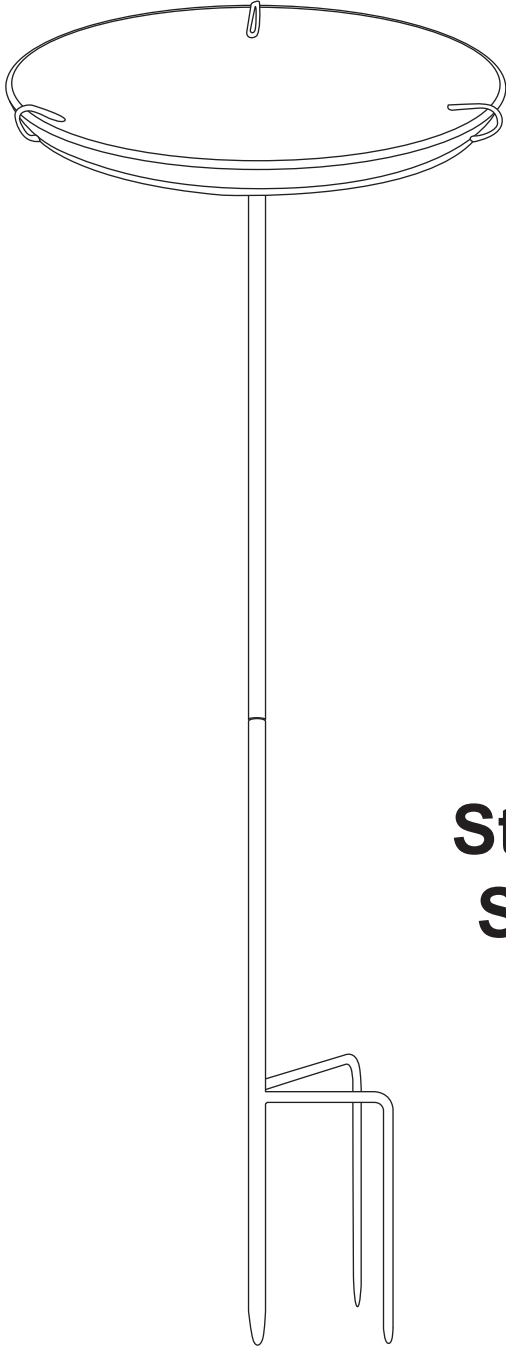



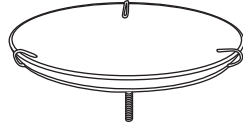
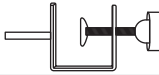


# 2-IN-1 GLASS BIRD BATH

Review all assembly and care information before using this product. Save this manual for future reference.

**Assemble components on a soft, clean surface to avoid damaging the finish.**



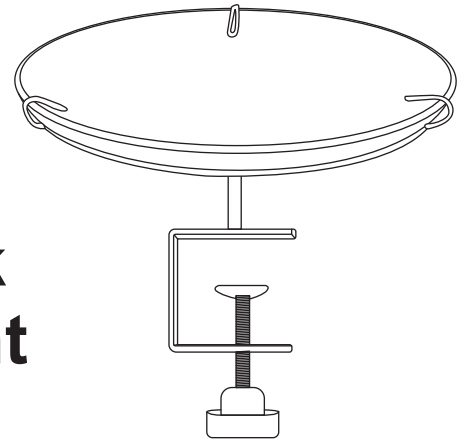
Inspect packaging to ensure all parts are accounted for before disposing of packing materials.  
 Save the packing slip.

No.	PARTS		QTY.
A		Glass Bowl (style may vary)	1
B		Deck Clamp	1
C		Pole	1
D		Step-in Stake	1

**Step-in  
Stake**

**OR**

**Deck  
Mount**

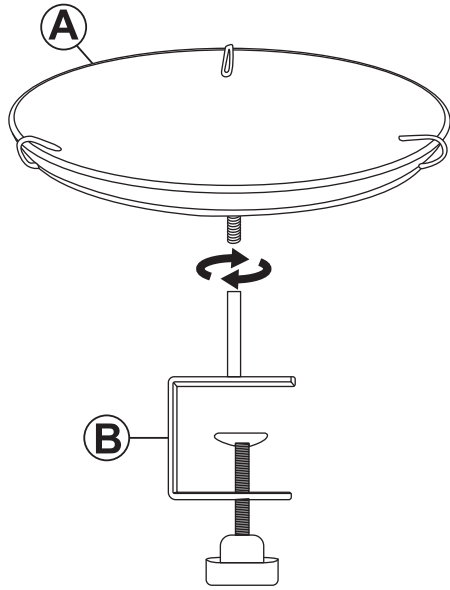


**⚠ WARNING:**

Manufacturer and seller expressly disclaim any and all liability from personal injury, property damage or loss, whether direct or indirect, or incidental, resulting from the incorrect attachment, improper use, inadequate maintenance, or neglect of this product.

# ASSEMBLY

## OPTION 1



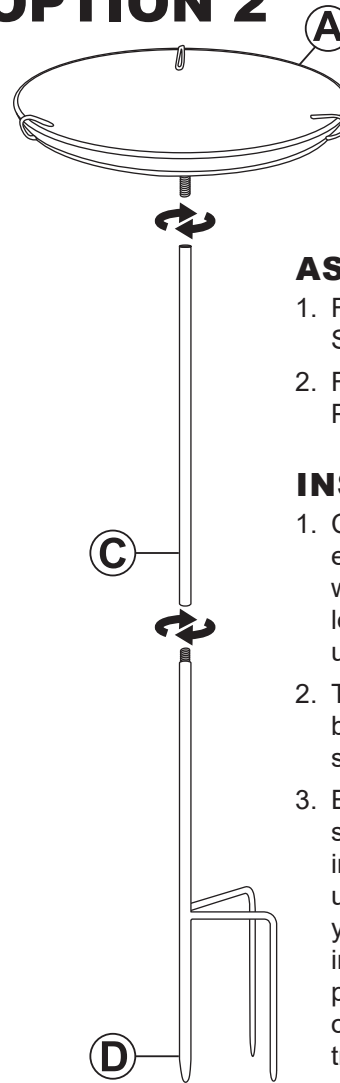
### ASSEMBLY

1. Firmly secure Glass Bowl (A) onto Deck Clamp (B).

### INSTALLATION

1. Twist the threaded knob on the deck clamp counterclockwise to expand the opening of the clamp.
2. Align the clamp with the handrail of your deck. Then, turn the threaded knob clockwise until the bird bath is secured to the handrail. Check to ensure the unit is firmly secured.

## OPTION 2



### ASSEMBLY

1. Firmly secure Pole (C) onto Step-in Stake (D).
2. Firmly secure Glass Bowl (A) to Pole (C).

### INSTALLATION

1. Choose a location with firm enough soil to support the unit while in use. Do not install into loose soil as it may cause the unit to tip over.
2. Take care not to push on the bowl during installation as doing so may bend or break the unit.
3. Ensuring the unit remains straight, push the step-in stake into the ground and step on it until it is flush with the ground. If you encounter resistance during installation, do not force the prongs into the ground; check for obstructions such as stones or tree roots.

## USE & CARE

- Avoid high-traffic areas such as locations where children and pets play.
- Water may seep into the connection points and cause the treaded components to rust. Periodically check connection points and clean them to prevent damage.

## CLEANING

Wash components using a mixture of 4 parts water to 1 part white distilled vinegar. Scrub with a cloth or a soft-bristled brush. Thoroughly rinse with clean water and dry with a clean cloth.

## ⚠ IMPORTANT INFORMATION ⚠

- Do not install into loose soil as the unit may lean or tip over.
- Do not use harsh chemicals or abrasive materials to clean the unit as they may damage the product and void the product warranty.
- Store this unit during freezing temperatures as exposure to freezing temperatures may damage the product.
- Manufacturer is not liable for damages or defects caused by exposure to weather elements.

**Any modification to the product or failure to follow recommended care will void the product warranty.**

## ⚠ WARNING:

Manufacturer and seller expressly disclaim any and all liability from personal injury, property damage or loss, whether direct or indirect, or incidental, resulting from the incorrect attachment, improper use, inadequate maintenance, or neglect of this product.