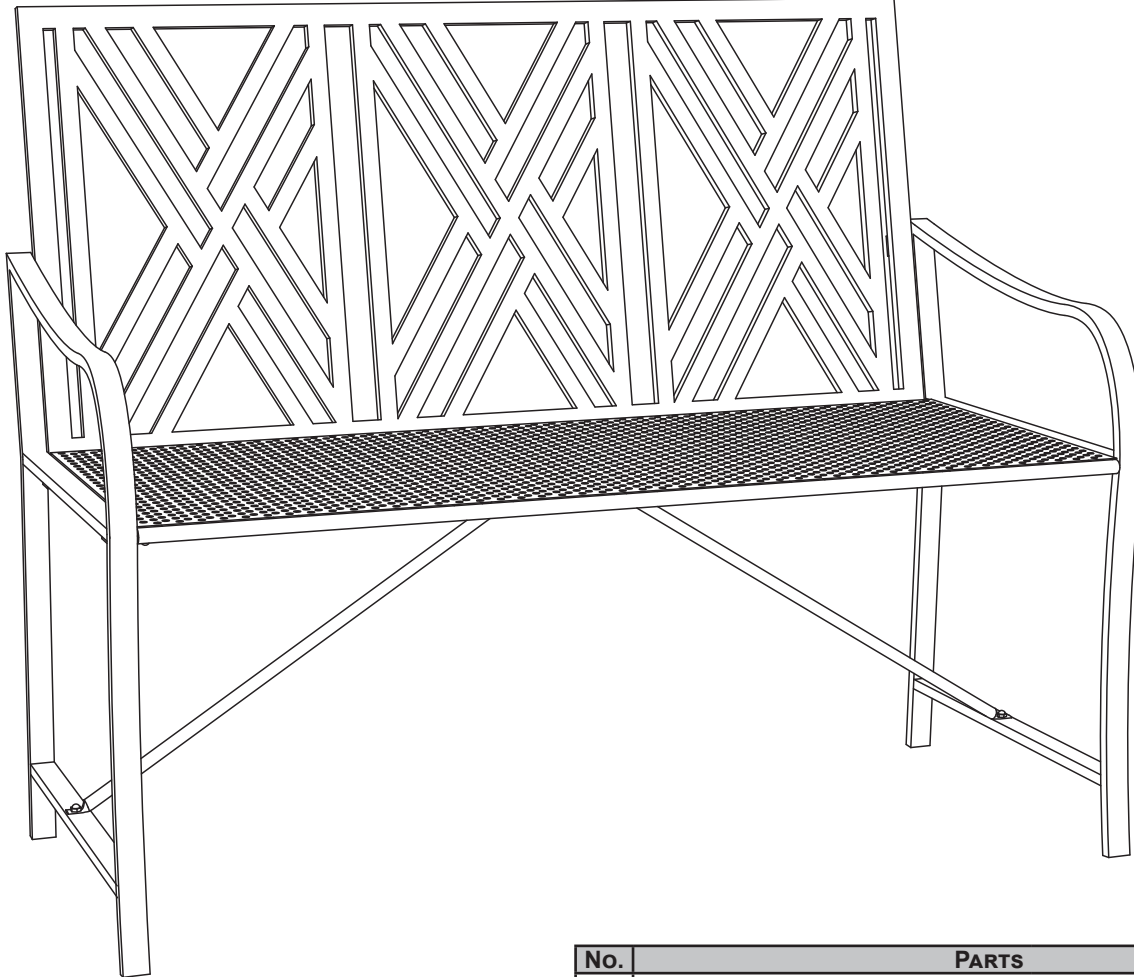



Thank you for choosing Sunnydaze Decor. We stand behind our brand and the quality of the items we sell. Replacement parts or products will be sent at our discretion within the 1-year warranty period. Proof of purchase, with the date of purchase as well as photos of the merchandise defect, must be provided. Photos are used to determine the cause of defects and for future quality control. Register your warranty at <https://tiny.cc/SunnydazeWarranty>. If you have any questions, comments or concerns, feel free to contact us by phone at 833-982-1977, by email: [customerservice@sunnydazedecor.com](mailto:customerservice@sunnydazedecor.com), or via our contact us page at <https://tiny.cc/SunnydazeContact>

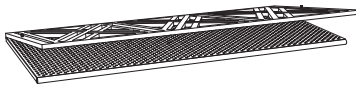
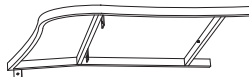
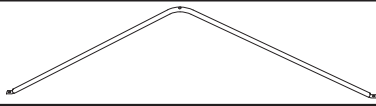


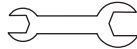
# GEOMETRIC LATTICE PATIO BENCH

## CFT-727

Review all assembly and care information carefully before using this product. Save this manual for future reference.  
**Assemble components on a soft, clean surface to avoid damaging the finish.**



 Inspect packaging to ensure all parts are accounted for before disposing of packing materials.  
 Save the packing slip.

No.	PARTS		QTY.
A		Seat	1
B		Side Panel (L/R)	2
C		Rod	1
D		Washer	9
E		M6 Cap Nut	9
F		Spanner	1

### ⚠ WARNING ⚠

**CHOKING HAZARD** — This item contains small parts that can be swallowed. Keep children and pets away during assembly.

**NOTE:** Over time and with use, the cap nuts may become loose. Save the included tool for tightening loosened hardware. Also save the spanner to quickly and easily disassemble the bench for a more compact storage option.

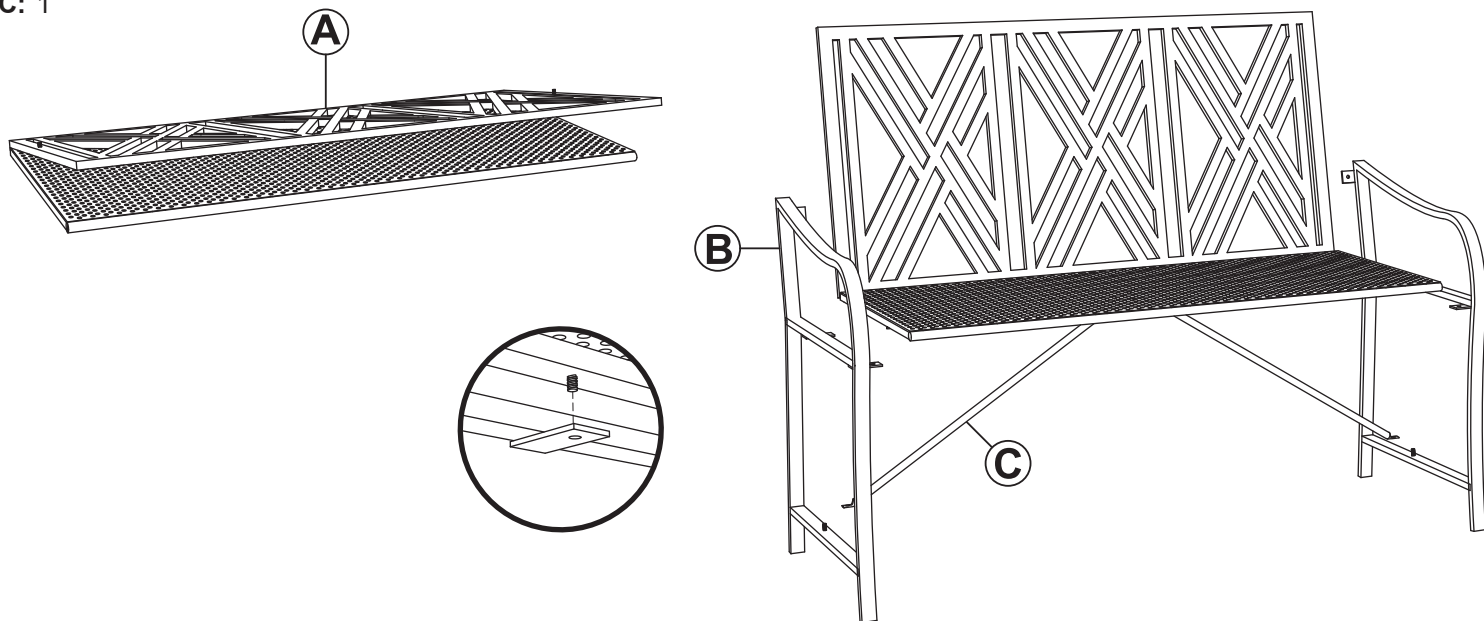
# ASSEMBLY

## STEP 1

A: 1

B: 2

C: 1

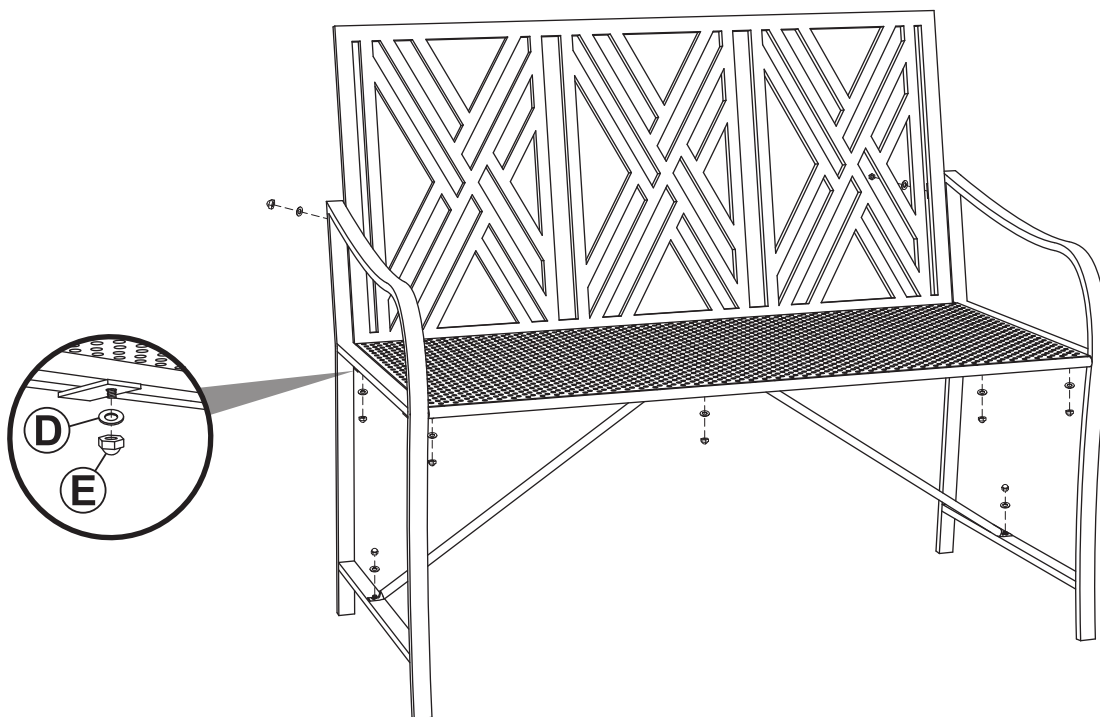


Align Rod (C) with the weld screws on the bottom of two Side Panels (B), as shown. Then, align the weld screws on Seat (A) with the side panels.

## STEP 2

D: 9

E: 9



Secure all components using nine Washers (D), and nine Cap Nuts (E), as shown.

**NOTE:** Save the included spanner to quickly and easily disassemble the unit for compact storage (optional).

# Care & Maintenance

**SAFE USE:** For residential use only. Only use on a flat, level surface.

**INSPECT:** Periodically check assembly points and tighten fittings as necessary.

**COVER:** When not in use, cover furniture with a breathable cover to help protect it from the harmful effects of sunlight, inclement weather, as well as dust build-up, and collecting debris.

**WINTER CARE & STORAGE:** During winter & freezing temperatures, move furniture to a cool, dry indoor location.

**SCRATCHES:** The finish on this product is tough & durable but, even under normal use, some scratching is inevitable. Scratches can be repaired with rust-resistant paint (not included).

**WARNING:** THE ONE-YEAR WARRANTY DOES NOT COVER DAMAGES OR DEFECTS CAUSED BY THE APPLICATION OF CHEMICAL TREATMENTS, PROTECTIVE COATINGS, TOUCH-UP PAINT, OR CLEANING PRODUCTS.

## Cleaning

 **HAND-WASH ONLY**

 **DO NOT USE BLEACH**

 **DO NOT USE A PRESSURE WASHER**

Remove loose debris with a damp cloth. Mix warm water with mild detergent. Use a soft cloth to hand-wash the furniture. Thoroughly rinse away all soap residue. To prevent water spotting, dry furniture with a soft, lint-free cloth.

### **SAFETY STATEMENTS & WARNINGS**

- For residential use only. Not for commercial or industrial use.
- Ensure all fittings are tight before use. Periodically check fittings to ensure they remain tight.
- Only use this unit on a flat, level surface.
- Do not exceed the weight capacity of the furniture.
- Never stand or climb on the unit.
- Never allow children to use this product unsupervised.
- Keep furniture a safe distance from heat sources such as fire pits, patio heaters, and grills.
- Never use chemical cleaning products or polishes as doing so may damage the finish.

**Any modification to the product or failure to follow recommended care will void the product warranty.**

*If you experience issues with assembly or the product was damaged during shipping, please contact our customer service team directly through one of the methods mentioned at the top of page 1.*

*Please have the item number and order information ready to expedite response time.*

### **WARNING:**

**Manufacturer and seller expressly disclaim any and all liability from personal injury, property damage or loss, whether direct or indirect, or incidental, resulting from the incorrect attachment, improper use, inadequate maintenance, or neglect of this product.**