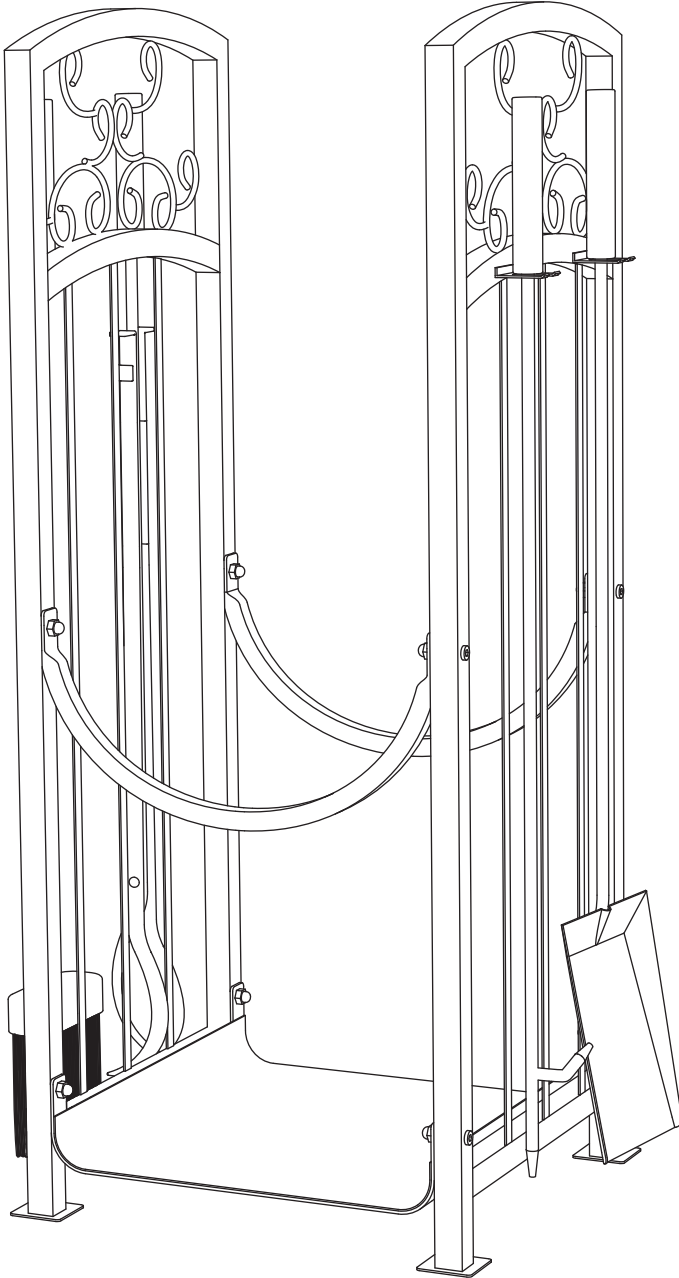




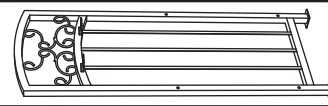
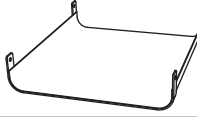







Thank you for choosing Sunnydaze Decor. We stand behind our brand and the quality of the items we sell. Replacement parts or products will be sent at our discretion within the 1-year warranty period. Proof of purchase, with the date of purchase as well as photos of the merchandise defect, must be provided. Photos are used to determine the cause of defects and for future quality control. Register your warranty at <https://tiny.cc/SunnydazeWarranty>. If you have any questions, comments or concerns, feel free to contact us by phone at 833-982-1977, by email: customerservice@sunnydazedecor.com, or via our contact us page at <https://tiny.cc/SunnydazeContact>

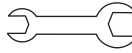

FILIGREE LOG HOLDER WITH FIREPLACE TOOLS CFT-703

Review all assembly and care information carefully before using this product. Save this manual for future reference.
Assemble components on a soft, clean surface to avoid damaging the finish.



 **Inspect packaging to ensure all parts are accounted for before disposing of packing materials.**
 Save the packing slip.

| No. | PARTS | QTY. |
|-----|---|------|
| A |  Side Panel (L/R) | 2 |
| B |  Base Tray | 1 |
| C |  Connector | 2 |
| D |  Broom | 1 |
| E |  Tongs | 1 |
| F |  Shovel | 1 |
| G |  Poker | 1 |
| H |  M6x16mm Bolt | 12 |
| I |  M6 Cap Nut | 12 |

| INCLUDED TOOLS | |
|---|---------|
|  | Spanner |
|  | Hex Key |

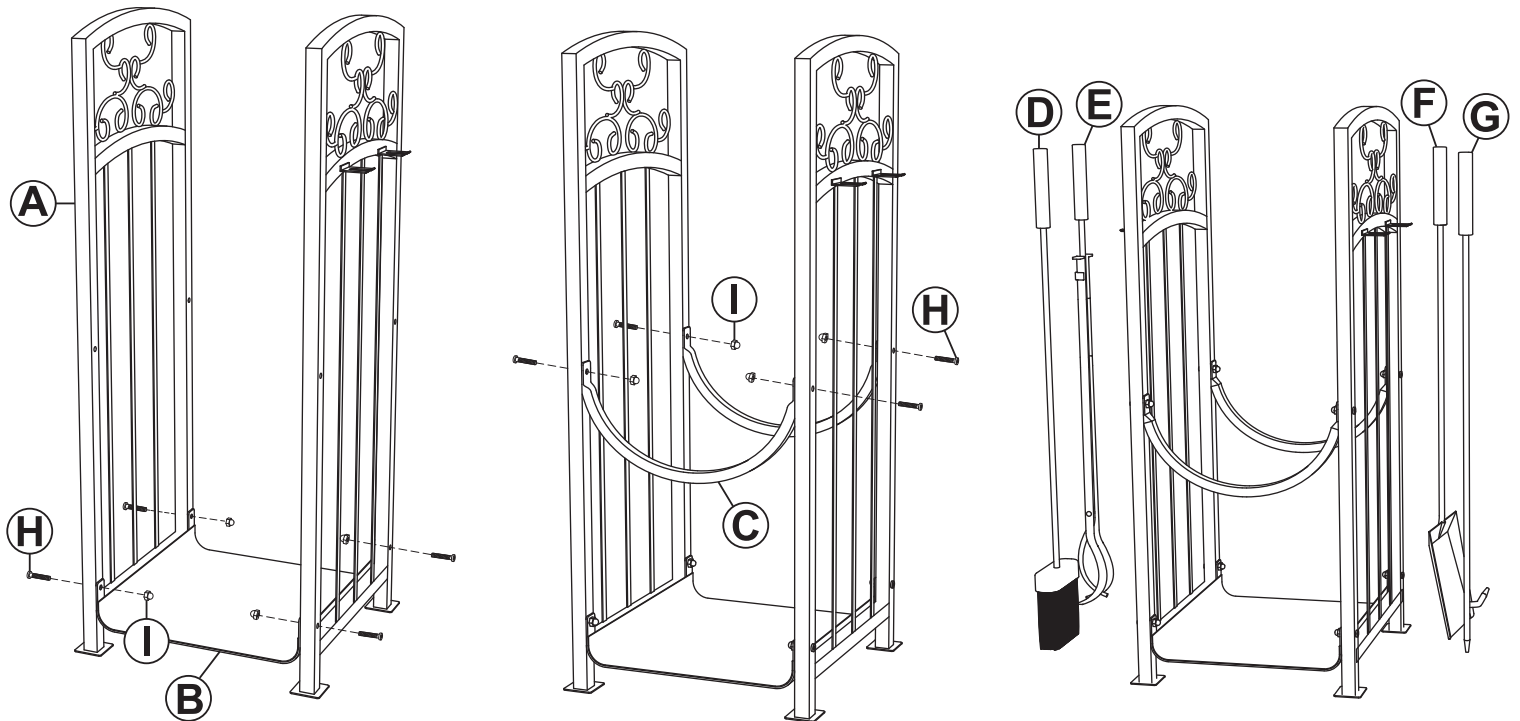
NOTE: Over time and with use, the hardware may become loose. Save the included tool for tightening loosened hardware.

⚠ WARNING ⚠
CHOKING HAZARD — This item contains small parts that can be swallowed. Keep children and pets away during assembly.

⚠ WARNING:

Manufacturer and seller expressly disclaim any and all liability from personal injury, property damage or loss, whether direct or indirect, or incidental, resulting from the incorrect attachment, improper use, inadequate maintenance, or neglect of this product.

ASSEMBLY



1. Ensuring the notches that hold the fireplace tools are on the outside, secure two Side Panels (A) to Base Tray (B) using four M6x16mm Bolts (H) and Cap Nuts (I).
2. Align two Connectors (C) with the side panels and secure using four M6x16mm Bolts (H) and Cap Nuts (I).
3. Hang Broom (D), Tongs (E), Shovel (F), and Poker (G) on the side panels.

Care & Maintenance

SAFE USE: Only use on a flat, level surface.

GENERAL USE & CARE: Recommended for indoor use only. Manufacturer and seller are not liable for any damage resulting from exposure to outdoor elements. Damage from outdoor use and/or normal wear and tear is not covered by the 1-year product warranty.

INSPECT: Periodically check assembly points and tighten fittings as necessary.

CLEANING: Use a damp cloth to clean. Do not use abrasive cleaners as doing so may cause parts to tarnish or rust. To clean the broom, rinse with water; ensure bristles are thoroughly dry before using.

! SAFETY STATEMENTS & WARNINGS !

- Do not exceed the weight capacity of the log rack.
- Supervise children at all times; do not allow children to play on or play with any part of this product.
- Inspect hardware often and tighten as necessary.
- Do not use the brush to sweep live coals (embers).
- Do not use harsh chemicals or abrasive materials to clean this unit.

Any modification to the product or failure to follow recommended care will void the product warranty.

! WARNING:

Manufacturer and seller expressly disclaim any and all liability from personal injury, property damage or loss, whether direct or indirect, or incidental, resulting from the incorrect attachment, improper use, inadequate maintenance, or neglect of this product.