

NEX-LEVEL®

BY  MAVERICK®

INSTRUCTION MANUAL FOR THE SAFE ASSEMBLY AND USE OF YOUR
NEX-LEVEL® **ELEVATE 5 PLATFORM**



ATTENTION

**YOU MUST READ ALL WRITTEN INSTRUCTIONS
AND WATCH THIS SAFETY VIDEO BEFORE USING!**



WATCH THIS SAFETY VIDEO BEFORE USING!

Scan →



or Visit →

www.standsafety.com/sc5

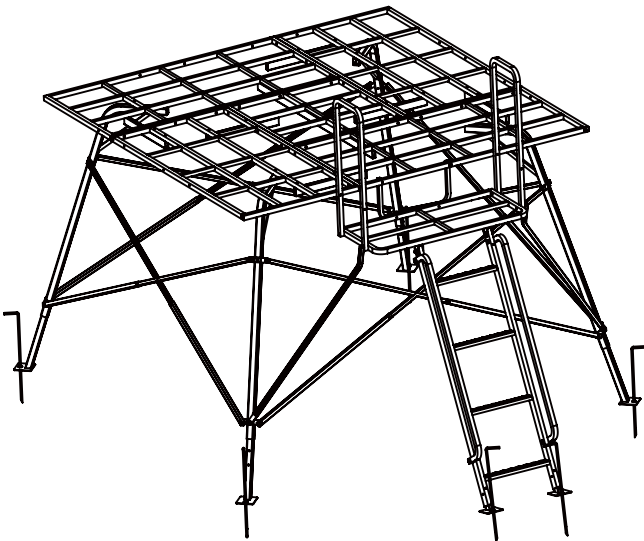
Scan the QR code with your smart phone, tablet or similar device.

OR

Type the website address into your web browser to view an important safety video before using this product.

TOWER STAND SAFETY

MODEL ID
TS315



WARNING

Instructions (written and video) should be kept in a safe place and reviewed at least annually. It is the responsibility of the treestand owner to furnish the complete instructions to any person that uses, borrows or purchases the treestand.

Before beginning assembly, check your purchase for damaged or missing parts. Do not use if you identify damaged or missing parts.

For help with damaged or missing parts, call Maverick® Hunting at 920-965-8397 or email at support@maverickhunting.com.

WEIGHT LIMIT

**DO NOT EXCEED MAXIMUM WEIGHT
CAPACITY OF 800 LBS.**

Includes hunters weight **PLUS** the weight of all gear carried on to the stand.

P/N: OMTS315
REV1:12/01/2023 2023 SOG
All Rights Reserved

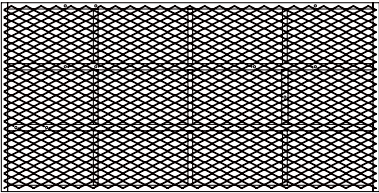
WARNING - READ FIRST

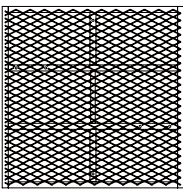
- **DO NOT USE IF YOU DON'T COMPLETELY UNDERSTAND SAFE AND PROPER USE OF THE TREESTAND!** WHEN USED HEREIN, "TREESTAND" INCLUDES TRIPODS, CLIMBING STANDS, FIXED POSITION STANDS, LADDER STANDS AND PLATFORM/BLIND STANDS. FAILURE TO FOLLOW ALL WRITTEN AND VIDEO WARNINGS AND INSTRUCTIONS LISTED COULD RESULT IN SERIOUS INJURY OR DEATH!
- **WHEN HUNTING FROM, INSTALLING, OR REMOVING A TREESTAND, TRIPOD OR TOWER FALLS CAN OCCUR ANY TIME AFTER LEAVING THE GROUND CAUSING INJURY OR DEATH.**
- **ALWAYS NOTIFY SOMEONE OF YOUR HUNTING LOCATION IN CASE OF AN EMERGENCY.** IT IS NECESSARY AND VERY IMPORTANT THAT SOMEONE KNOWS YOUR HUNTING LOCATION AND TIME OF RETURN. IT IS ALSO VERY IMPORTANT THAT YOU CARRY (ON YOURSELF) EMERGENCY COMMUNICATION DEVICES SUCH AS A CELL PHONE, TWO-WAY RADIO, WHISTLE, SIGNAL FLARE OR PREFERABLY A PLD (PERSONAL LOCATOR DEVICE - FCC APPROVED JULY, '03). WHEN TRIGGERED, A PLD WILL TRANSMIT AN EMERGENCY SIGNAL TO LOCAL RESCUE TEAMS IDENTIFYING YOUR LOCATION VIA SATELLITE GPS COORDINATES. PLD'S MAY BE PURCHASED AT WILDERNESS OUTFITTERS OR ON THE INTERNET. COMMUNICATE YOUR HUNTING LOCATION VIA GPS COORDINATES SO OTHERS CAN QUICKLY LOCATE YOU IN CASE OF FALL OR ACCIDENT.
- **DO NOT USE THIS STAND IN HIGH WIND CONDITIONS THAT COULD RESULT IN A TIP OVER.**
- **IF THERE ARE ANY QUESTIONS OR CONCERNS WITH INSTRUCTIONS, WARNINGS, OR PROPER USE, "STOP" AND CONTACT THE MANUFACTURER.** DO NOT USE UNLESS YOU FULLY UNDERSTAND SAFE AND PROPER USE. MAINTAIN ALL WARNINGS, INSTRUCTIONS, AND VIDEOS FOR LATER REVIEW AS NEEDED, FOR INSTRUCTION USAGE TO ANYONE BORROWING YOUR STAND OR TO PASS ON WHEN SELLING THESE ITEMS. USE ALL SAFETY DEVICES PROVIDED WITH YOUR TREESTAND.
- **PRIOR TO EACH USE, INSPECT ALL LADDER SECTIONS TO ENSURE THE SECTIONS ARE NOT SEPARATED.** ENSURE THE GROUND BELOW THE LADDER SECTIONS IS FIRM AND LEVEL.
- **ALL TRIPODS AND PLATFORM STANDS MUST BE ANCHORED TO THE GROUND BY MEANS OF GROUND STAKES.** IT IS ADVISABLE TO PURCHASE ADDITIONAL MEANS OF SECURING THE TRIPOD TO THE GROUND INCLUDING STRAPS OR GROUND ANCHORS. FOLLOW ALL INSTRUCTIONS FROM SUPPLIERS FOR ANCHORING FREE-STANDING UNITS.
- **ALWAYS INSPECT THE TREESTAND PRIOR TO EVERY USE FOR UNDUE WEAR, DEFORMITY, CORROSION OR OTHER DAMAGE.** IF ANY IS PRESENT, CONTACT THE MANUFACTURER AND REPLACE AFFECTED AREA BEFORE USING THE STAND!
- **NEVER EXCEED THE 800 LB. MAXIMUM RATED WEIGHT LIMIT OF THIS PRODUCT.** THIS LIMIT INCLUDES USER AND ALL GEAR TAKEN TO THE PLATFORM AREA.
- **MOST FALLS OCCUR DUE TO IMPROPER INSTALLATION OR NOT USING THE PRODUCT AS DIRECTED.** ALL SUPPLIED PARTS MUST BE USED, INCLUDING, BUT NOT LIMITED TO ALL REQUIRED HARDWARE. THE LADDER SECTION CONNECTIONS MUST BE SECURED TOGETHER BY MEANS OF THE PINS OR BOLTS SUPPLIED. CAREFULLY FOLLOW AND DOUBLE CHECK ALL ASSEMBLY INSTRUCTIONS TO ENSURE THAT YOU HAVE PROPERLY ASSEMBLED THE PRODUCT. IF YOU HAVE ANY QUESTIONS OR CONCERNS, CONTACT MAVERICK® HUNTING AT 920-965-8397 OR EMAIL SUPPORT@MAVERICKHUNTING.COM.
- **THE ASSEMBLY AND INSTALLATION OF A TRIPOD AND/OR PLATFORM STAND REQUIRES A MINIMUM OF FOUR (4) ABLE ADULTS.** NEVER ATTEMPT TO ASSEMBLE, INSTALL, OR REMOVE THIS PRODUCT WITH LESS THAN FOUR (4) ABLE ADULTS PRESENT.
- **DO NOT USE ANY TREESTAND IF ICE OR SNOW IS PRESENT ON THE PLATFORM OR LADDER SECTIONS.**
- **ALWAYS USE A HAUL LINE TO RAISE YOUR BACKPACK, GEAR, UNLOADED FIREARM OR BOW TO YOUR TREESTAND ONCE YOU HAVE REACHED YOUR STAND PLATFORM AND HAVE SECURED YOURSELF TO THE TREE WITH YOUR FAS.** NEVER CLIMB WITH ANYTHING IN YOUR HANDS OR ON YOUR BACK. PRIOR TO DESCENDING, LOWER YOUR EQUIPMENT ON THE SIDE OF THE TREE OPPOSITE OF YOUR DESCENT ROUTE.


- **THIS PRODUCT IS INTENDED TO BE USED BY RESPONSIBLE ADULTS OVER THE AGE OF 18.** ANY PERSON UNDER THE AGE OF 18 SHOULD NOT USE THIS PRODUCT WITHOUT ADULT SUPERVISION!
- **DO NOT USE THIS PRODUCT UNLESS YOU ARE IN GOOD PHYSICAL CONDITION, AND WITHOUT ANY PHYSICAL LIMITATIONS OR UNDERLYING HEALTH CONDITIONS.**
- **NEVER HURRY!** WHILE CLIMBING WITH A TREESTAND, MAKE SLOW, EVEN MOVEMENTS OF NO MORE THAN ONE STEP AT A TIME. YOU CAN ONLY GO THE DISTANCE OF EACH STEP. MAKE SURE YOU HAVE PROPER CONTACT WITH THE TREE AND OR TREESTAND EVERY TIME YOU MOVE. WHEN USING ANY TREESTAND WITH A LADDER OR STEPS, MAINTAIN THREE POINTS OF CONTACT WITH EACH STEP. THIS MEANS HAVING TWO HANDS AND ONE FOOT (OR ONE HAND AND TWO FEET) IN CONTACT AT ALL TIMES.
- A FALL ARREST SYSTEM/FULL BODY HARNESS (FAS/FBH) THAT MEETS INDUSTRY STANDARDS FOR TREESTANDS IS NOT INCLUDED WITH TRIPODS AND TOWER STANDS. FAS/FBH DESIGNED FOR TREESTANDS REQUIRE THAT THE TETHER BE ANCHORED/ATTACHED TO THE TREE. NEVER ATTACH A FAS/FBH TO A TRIPOD OR TOWER STAND OR ANY PART OF ITS STRUCTURE AS THIS COULD LEAD TO AN UNSAFE CONDITION. FAILURE TO FOLLOW THIS WARNING COULD RESULT IN SERIOUS INJURY OR DEATH!
- WHEN INSTALLING, TAKING DOWN OR MOVING A TRIPOD OR TOWER STAND YOU MUST STRICTLY FOLLOW THE MANUFACTURER'S INSTRUCTIONS TO DETERMINE THE APPROPRIATE NUMBER OF PEOPLE REQUIRED TO PERFORM THESE TASKS.
- NEVER ERECT A TRIPOD OR TOWER STAND NEAR OVERHEAD ELECTRICAL POWER LINES OR BURIED UTILITIES, OR BOTH, THAT CAN CAUSE ELECTROCUTION, EXPLOSION, OR FIRE, OR A COMBINATION THEREOF. YOU MUST ALWAYS CONTACT APPROPRIATE AUTHORITIES PRIOR TO INSTALLING ANY STRUCTURE ON OR NEAR RIGHT OF WAYS OR UNDERGROUND UTILITIES.
- FOR TOWERS AND TRIPODS DESIGNED FOR TWO OR MORE PEOPLE, NEVER ALLOW MORE THAN ONE PERSON AT A TIME TO ASCEND OR DESCEND THE LADDER. BE CERTAIN FIRST PERSON IS FULLY OFF THE LADDER/ENTRY PLATFORM AND POSITIONED SAFELY ON TOWER PLATFORM OR GROUND BEFORE SECOND PERSON ASCENDS OR DESCENDS LADDER.
- NEVER JUMP OR BOUNCE ON A TREESTAND.
- PULL UP A BOW, BACKPACK, FIREARM OR OTHER EQUIPMENT ONLY AFTER BEING SECURE IN THE TREESTAND AND A FIREARM MUST BE PULLED UP WITH IT UNLOADED, CHAMBER OPEN AND MUZZLE DOWN.
- NEVER MODIFY YOUR TREESTAND, TRIPOD OR TOWER IN ANY WAY BY MAKING REPAIRS, REPLACING PARTS, OR ALTERING ADDING OR ATTACHING ANYTHING TO IT EXCEPT IF EXPLICITLY AUTHORIZED IN WRITING BY THE MANUFACTURER.
- PRACTICE INSTALLING, ADJUSTING AND USING YOUR TREESTAND AT GROUND LEVEL PRIOR TO USING IT AT ELEVATED POSITIONS. INSTRUCTIONS (WRITTEN AND VIDEO) SHOULD BE KEPT IN A SAFE PLACE AND REVIEWED AT LEAST ANNUALLY. IT IS THE RESPONSIBILITY OF THE TREESTAND OWNER TO FURNISH THE COMPLETE INSTRUCTIONS TO ANY PERSON THAT WHO BORROWS OR PURCHASES THE TREESTAND.
- WHEN USING A TRIPOD OR TOWER STAND THE RISK OF A FALL CAN OCCUR ANYTIME AFTER LEAVING THE GROUND. FALLING FROM A TRIPOD OR TOWER STAND CAN RESULT IN SERIOUS INJURY OR DEATH.
- FOR TOWERS AND TRIPODS DESIGNED FOR TWO OR MORE PEOPLE, NEVER ALLOW MORE THAN ONE PERSON AT A TIME TO ASCEND OR DESCEND THE LADDER. BE CERTAIN FIRST PERSON IS FULLY OFF THE LADDER/ENTRY PLATFORM AND POSITIONED SAFELY ON TOWER PLATFORM OR GROUND BEFORE SECOND PERSON ASCENDS OR DESCENDS LADDER.
- INSPECT TRIPOD AND TOWER STANDS BEFORE EACH USE. LEAVING EQUIPMENT EXPOSED TO RAIN, SUNLIGHT, CHANGING TEMPERATURES, SNOW AND EXTREME WEATHER CONDITIONS FOR EXTENDED PERIODS OF TIME CAN CAUSE DANGEROUS CONDITIONS NOT VISIBLE TO THE NAKED EYE. DO NOT ATTEMPT TO USE ANY PRODUCT IF DAMAGE IS DETECTED OR SUSPECTED. FOR YOUR PERSONAL SAFETY AND ALSO THE SAFETY OF OTHERS, THE PRODUCT SHOULD BE REMOVED FROM SERVICE IMMEDIATELY.
- **STORE PLATFORM INDOORS IN A CLEAN, DRY ENVIRONMENT FREE FROM DIRECT SUNLIGHT, HARMFUL CHEMICALS, EXCESSIVE HEAT AND DUST.**

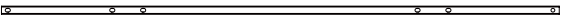
PARTS LIST


ACCESSORY PACKAGE CONTENTS (1 OF 2)

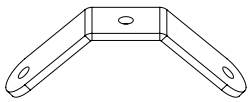
1	SIDE PLATFORM
X4	

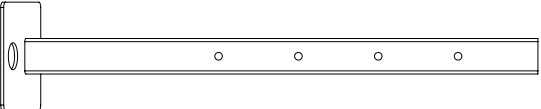
2	MIDDLE PLATFORM
X1	

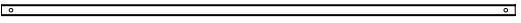
3	SHORT PLATFORM SUPPORT ROD
X6	

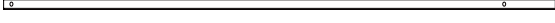
4	LONG PLATFORM SUPPORT ROD
X1	


5	UPPER LEG
X4	

6	TIE ROD CONNECTING PLATES
X8	

7	LEG ADJUSTMENT
X4	

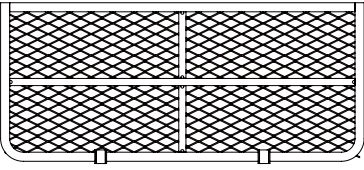
8	LOWER CROSS BRACE
X8	

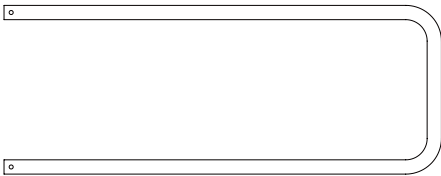
9	UPPER CROSS BRACE
X8	

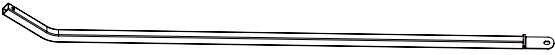
10	FRONT PLATFORM CONNECTING ROD
X1	


PARTS LIST

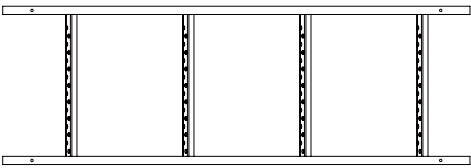
ACCESSORY PACKAGE CONTENTS (2 OF 2)

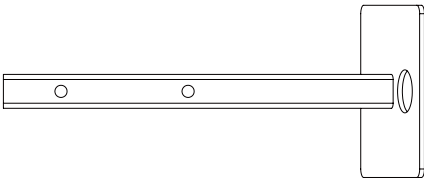
11	FRONT PLATFORM
X1	

12	HANDRAIL
X2	


13	FRONT PLATFORM LEFT SUPPORT
X1	

14	FRONT PLATFORM RIGHT SUPPORT
X1	

15	LADDER
X1	

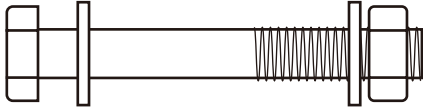
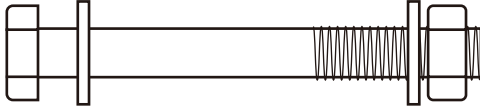
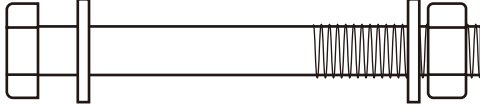
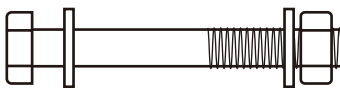
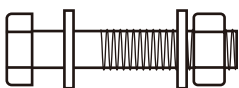
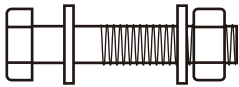
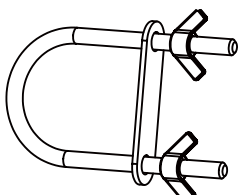
16	LADDER FEET
X2	

17	LADDER HANDRAIL
X2	

18	GROUND STAKE
X6	

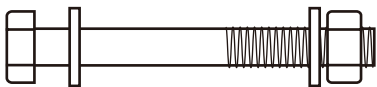
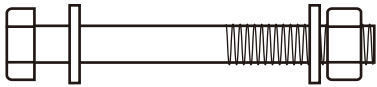
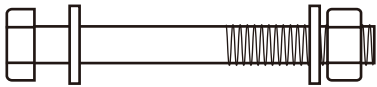
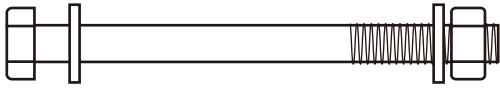
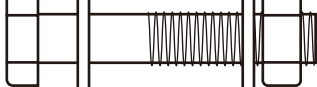
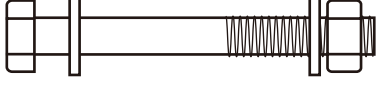
HARDWARE

BOLTS AND DESCRIPTIONS (1 OF 2)

STEP 1	5/16"-18 X 2-3/4" BOLT (5/16" LOCK NUT and two Flat Washers)	
QTY X 24		
STEP 2	5/16"-18 X 3-1/4" BOLT (5/16" LOCK NUT and two Flat Washers)	
QTY X 30		
STEP 3	5/16"-18 X 3-1/4" BOLT (5/16" LOCK NUT and two Flat Washers)	
QTY X 8		
STEP 4	1/4"-20 X 2-1/4" BOLT (1/4" LOCK NUT and two Flat Washers)	
QTY X 8		
STEP 5	1/4"-20 X 1-1/2" BOLT (1/4" LOCK NUT and two Flat Washers)	
QTY X 8		
STEP 6	1/4"-20 X 1-1/2" BOLT (1/4" LOCK NUT and two Flat Washers)	
QTY X 16		
STEP 7	U-SHAPE BOLT	
QTY X 4		

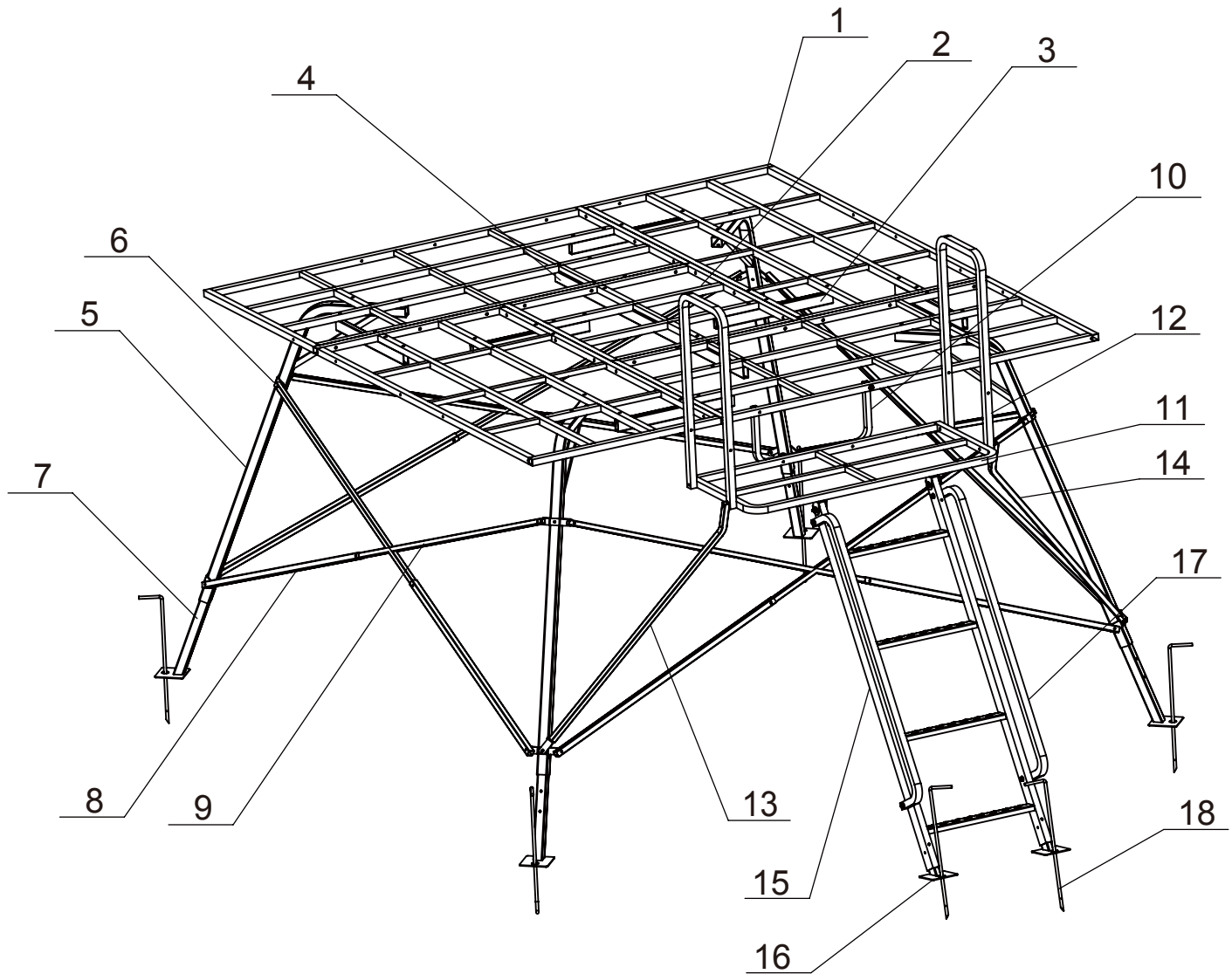
HARDWARE

BOLTS AND DESCRIPTIONS (2 OF 2)

STEP 8	1/4"-20 X 2-1/2" BOLT (1/4" LOCK NUT and two Flat Washers)	
QTY X 2		
STEP 9	1/4"-20 X 2-1/2" BOLT (1/4" LOCK NUT and two Flat Washers)	
QTY X 2		
STEP 10	1/4"-20 X 2-1/2" BOLT (1/4" LOCK NUT and two Flat Washers)	
QTY X 4		
STEP 11	1/4"-20 X 3-1/2" BOLT (1/4" LOCK NUT and two Flat Washers)	
QTY X 2		
STEP 12	1/4"-20X2-1/2" BOLT (1/4" LOCK NUT and two Flat Washers)	
QTY X 2		
STEP 13	5/16"-18 X 2" BOLT (5/16" LOCK NUT and two Flat Washers)	
QTY X 2		
STEP 14	1/4"-20 X 2-1/2" BOLT (1/4" LOCK NUT and two Flat Washers)	
QTY X 4		

PARTS BREAKDOWN

ALL BOLTS USED ARE 1/4" THREADS, GRADE 5



TOOLS REQUIRED

TOOLS NEEDED: TWO 1/2" WRENCHES

IMPORTANT ASSEMBLY TIP: Do not tighten any nut and bolt combinations completely until all parts are assembled together. Finger tighten plus one turn of a wrench only. This will temporarily hold the lock nut on the bolt while helping align all parts. After all parts are assembled together, all nut & bolt combinations can be completely tightened.

ASSEMBLY INSTRUCTIONS

CAREFULLY FOLLOW STEPS 1-15

STEP 1

Assemble the four **SIDE PLATFORMS (#1)** to the **MIDDLE PLATFORM (#2)** by using (24) 5/16"-18 x 2-3/4" bolts, (24) 5/16" lock nuts and (48) 5/16" flat washers (Figure 1). **Leave these hand tight for now.**

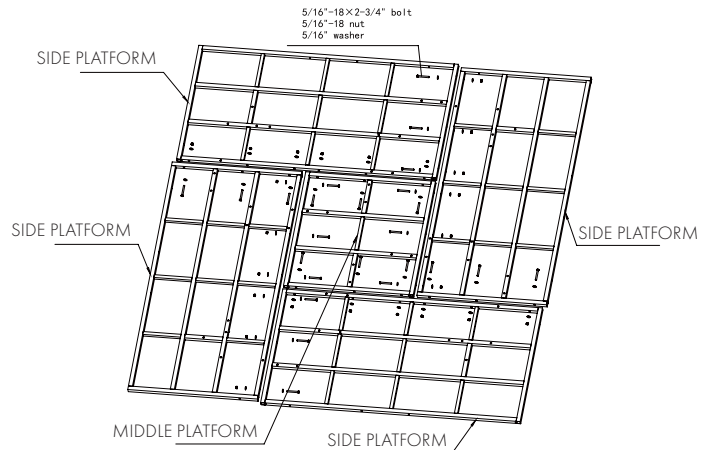


FIGURE 1

STEP 2

Attach the six **SHORT PLATFORM SUPPORT RODS (#3)** and the one **LONG PLATFORM SUPPORT ROD (#4)** to the assembled platform by using (30) 5/16"-18 x 3-1/4" bolts, (30) 5/16" lock nuts and (60) 5/16" flat washers (Figure 2). **Tighten all nuts and bolts from steps 1 and 2.**

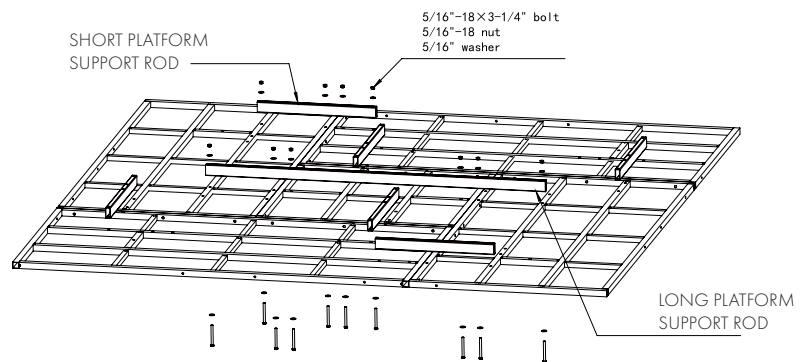


FIGURE 2

STEP 3

Attach the four **UPPER LEGS (#5)** to the assembled platform by using (8) 5/16"-18 x 3-1/4" bolts, (8) 5/16" lock nuts and (16) 5/16" flat washers (Figure 3). **Tighten nuts and bolts. Be sure to not over tighten.**

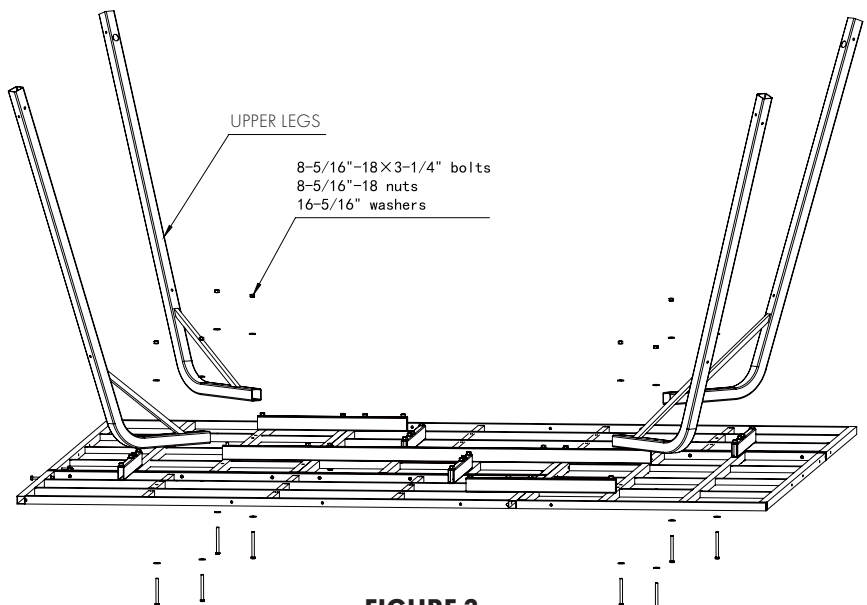


FIGURE 3

STEP 4

Attach eight **TIE ROD CONNECTING PLATES (#6)** and four **LEG ADJUSTMENTS (#7)** to the four **UPPER LEGS** by using (8) 1/4"-20 x 2-1/4" bolts, (8) 1/4" lock nuts and (16) 1/4" flat washers (Figure 4). **Be sure to not over tighten.**

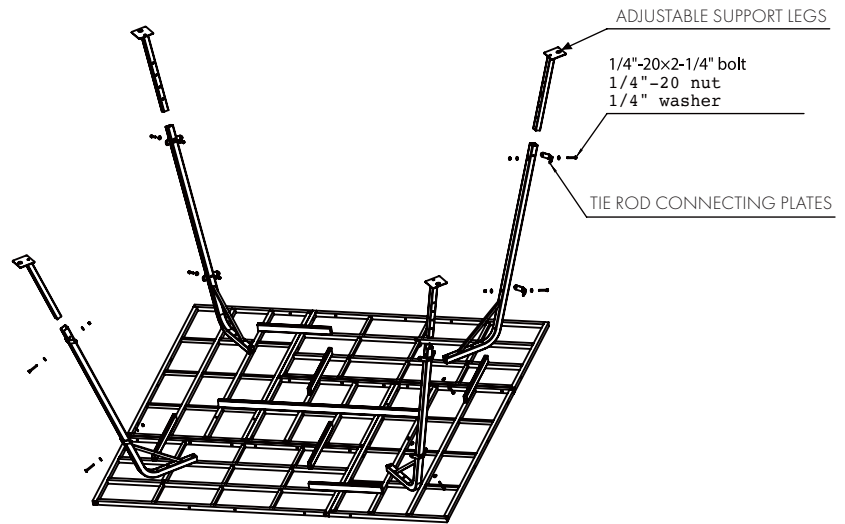


FIGURE 4

STEP 5

Assemble the one **UPPER CROSS BRACE (#9)** to the one **LOWER CROSS BRACE (#8)** by using (1) 1/4"-20 x 1-1/2" bolt, (1) 1/4" lock nut and (2) 1/4" flat washers. Repeat this step to assemble the other seven cross brace (Figure 5). **Be sure to not over tighten.**

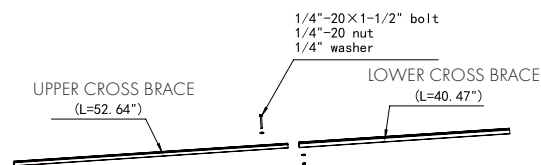


FIGURE 5

STEP 6

Assemble the eight assembled **CROSS BRACES** to the four assembled **LEGS** by using (16) 1/4"-20 x 1-1/2" bolts, (16) 1/4" lock nuts and (32) 1/4" flat washers (Figure 6). **Be sure to not over tighten.**

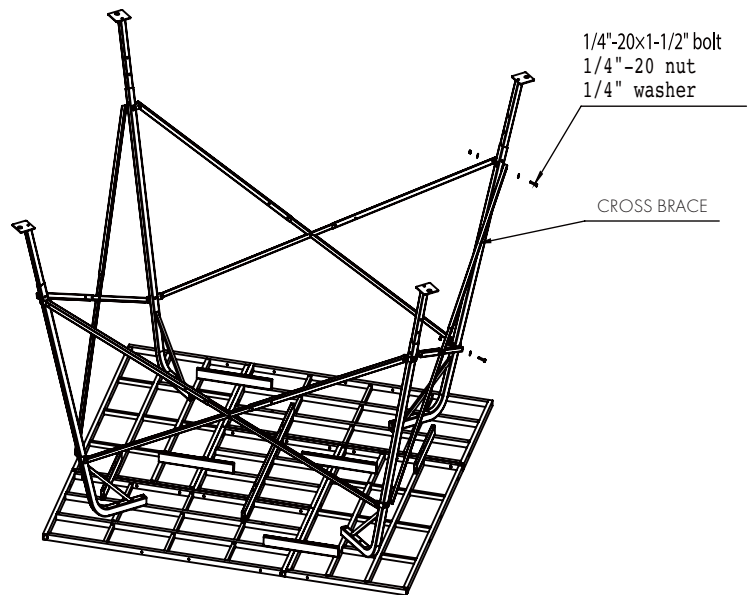


FIGURE 6

STEP 7

Install (4) U-Shape bolts at the cross (Figure 7).

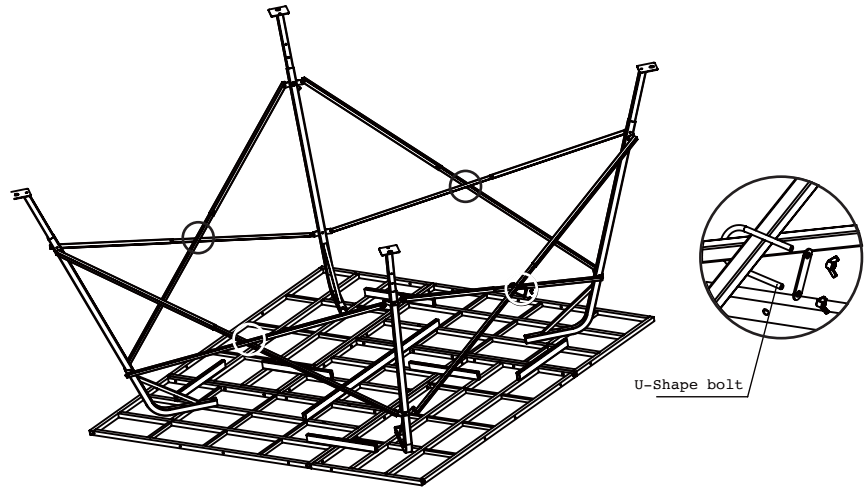


FIGURE 7

STEP 8

Attach the **FRONT PLATFORM CONNECTING ROD (#10)** to the assembled platform by using (2) 1/4"-20 x 2-1/2" bolts, (2) 1/4" lock nuts and (4) 1/4" flat washers (Figure 8). **Be sure to not over tighten.**

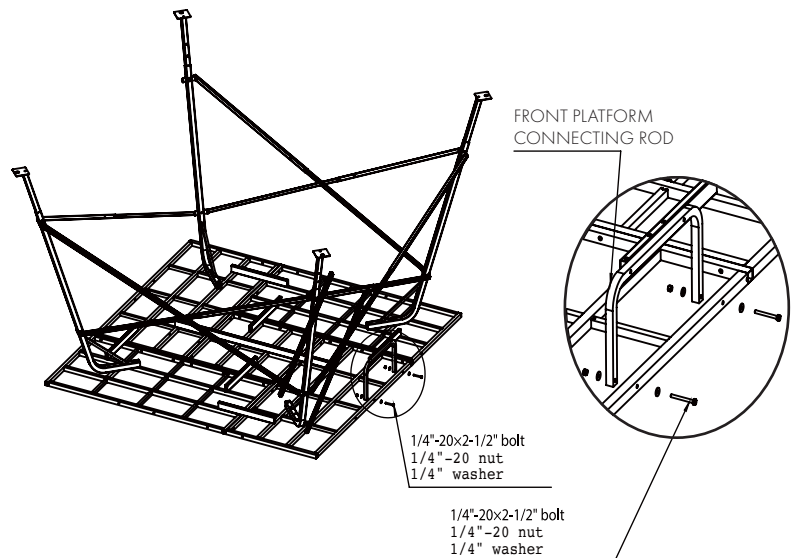


FIGURE 8

STEP 9

Attach the **FRONT PLATFORM (#11)** to the **FRONT PLATFORM CONNECTING ROD (#10)** by using (2) 1/4"-20 x 2-1/2" bolts, (2) 1/4" lock nuts and (4) 1/4" flat washers (Figure 9). **Be sure to not over tighten. Prepare to flip stand.**

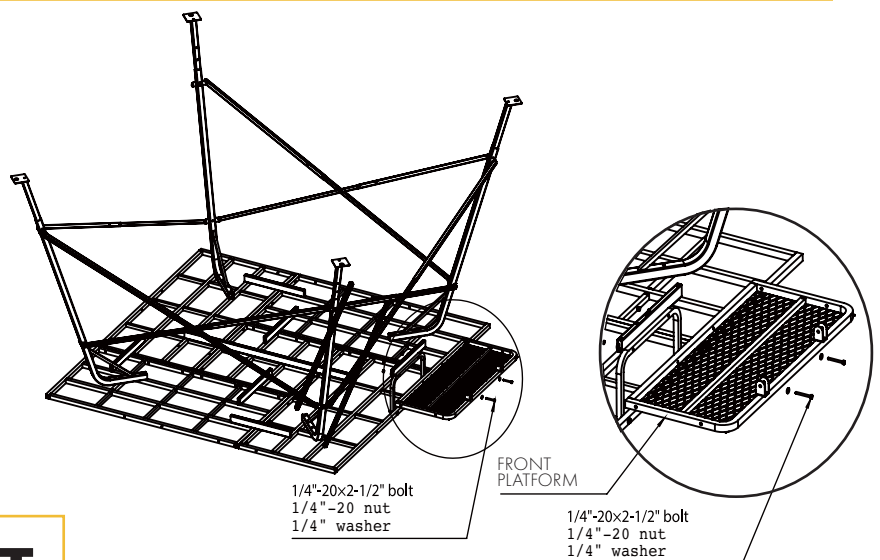


FIGURE 9

FLIP STAND UPRIGHT

STEP 10

Attach the two **HANDRAILS (#12)** to the **FRONT PLATFORM (#11)** and the assembled platform by using (4) 1/4"-20 x 2-1/2" bolts, (4) 1/4" lock nuts and (8) 1/4" flat washers (Figure 10). **Be sure to not over tighten.**

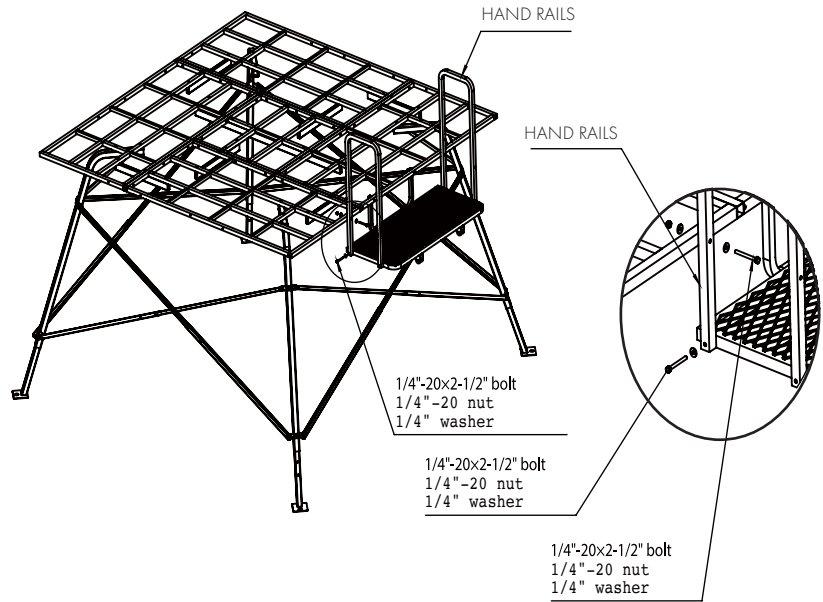


FIGURE 10

STEP 11

Remove (2) 1/4"-20 x 2-1/4" bolts, (2) 1/4" lock nuts and (4) 1/4" flat washers as shown. Attach the **FRONT PLATFORM LEFT SUPPORT (#13)** and the **FRONT PLATFORM RIGHT SUPPORT (#14)** to the **FRONT PLATFORM (#11)** and the **TIE ROD CONNECTING PLATES (#6)** by using (2) 1/4"-20 x 2-1/4" bolts, (2) 1/4"-20 x 3-1/2" bolts, (4) 1/4" lock nuts and (8) 1/4" flat washers (Figure 11). **Be sure to not over tighten.**

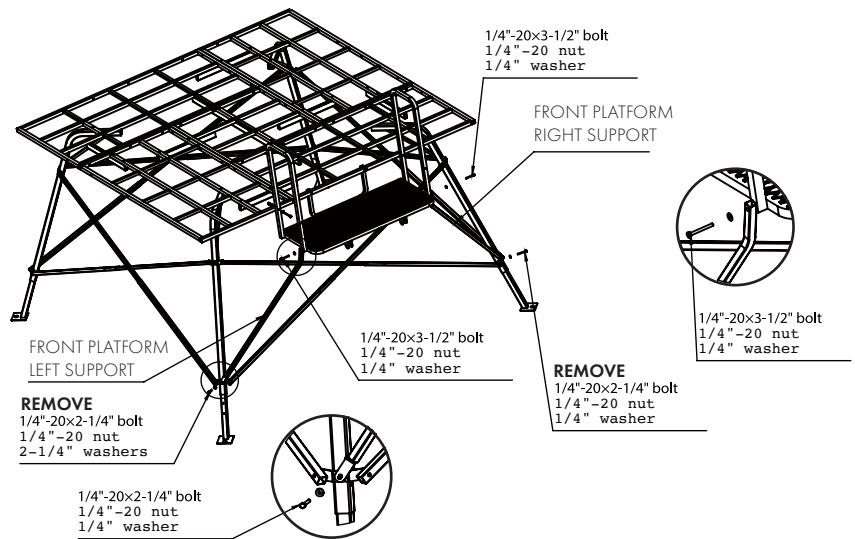


FIGURE 11

STEP 12

Attach the one **LADDER (#15)** to the two **LADDER FEET (#16)** by using (2) 1/4"-20 x 2-1/2" bolts, (2) 1/4" lock nuts and (4) 1/4" flat washers (Figure 12). **Be sure to not over tighten.**

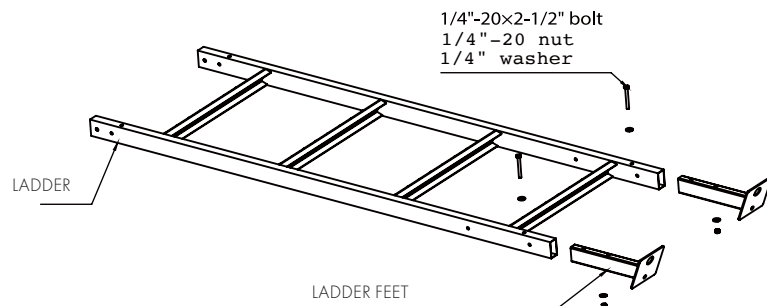


FIGURE 12

STEP 13

Attach the assembled **LADDER** to the **FRONT PLATFORM (#11)** by using (2) 5/16"-18 x 2" bolts, (2) 5/16" lock nuts and (4) 5/16" flat washers (Figure 13). **Be sure to not over tighten.**

PRO TIP: Put ladder feet in after securing ladder to find correct set of holes to match the ground.

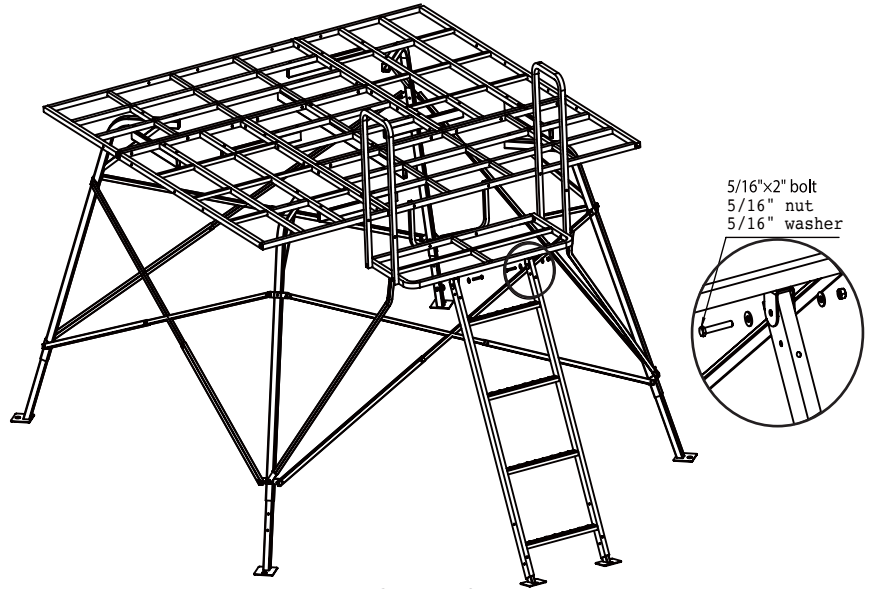


FIGURE 13

STEP 14

Attach the two **LADDER HANDRAILS (#17)** by using (4) 1/4"-20 x 2-1/2" bolts, (4) 1/4" lock nuts and (8) 1/4" flat washers (Figure 14). **Be sure to not over tighten.**

MAKE SURE ALL NUT AND BOLT ASSEMBLIES ARE PROPERLY TIGHTENED

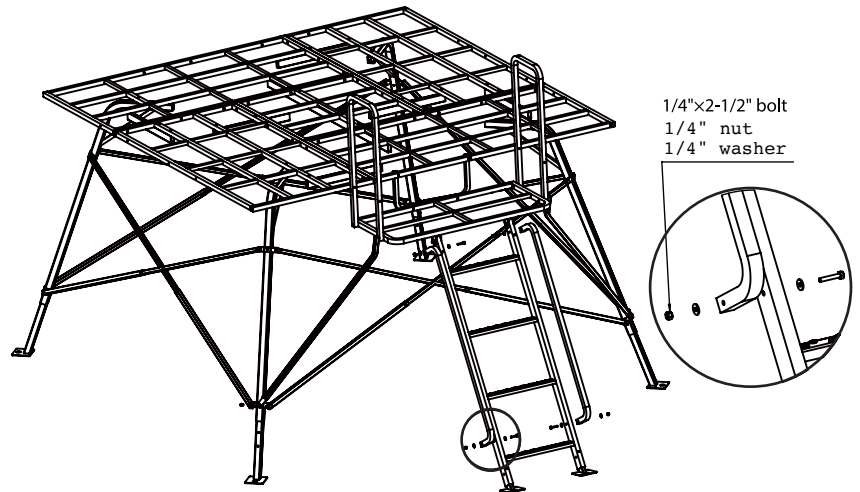


FIGURE 14

STEP 15

Install six **GROUND STEAKS (#18)** (Figure 15).

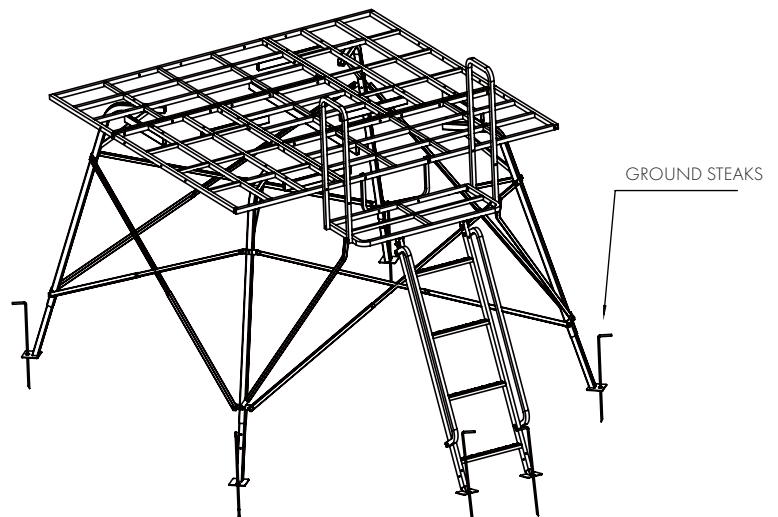


FIGURE 15

INSPECTION AND MAINTENANCE SCHEDULE

Complete the following before each and every use

- [] Inspect for any structural damage to product. (If any exists stop use immediately and contact Maverick® Hunting at 920-965-8397 or email support@maverickhunting.com.)
- [] Inspect all nut and bolt assemblies to ensure none have become loose. Use correct size wrenches when adjusting or tightening nuts/bolts. Exercise care when tightening nuts/bolts to ensure tubing does not become damaged OR crushed!

Complete the following checklist at least once per year

- [] Lubricate all pivots and slide together points with powder graphite to help prevent noise, wear, and rust.
- [] Inspect entire product for any rust, corrosion, cracks, freezing, excessive heat or rotting that may effect the safety of your product. Discard or replace any questionable product.

***Contact the manufacturer or discard product if any damage is found that could weaken the structural integrity of the stand and/or cause potential harm to the user.**

WARNING

ALWAYS read and understand the manufacturer's **WARNINGS & INSTRUCTIONS** before using the treestand each season. Use all safety devices provided with your treestand. Never exceed the weight limit specified by the manufacturer. If you have any questions after reviewing the **WARNINGS & INSTRUCTIONS**, please contact Maverick® Hunting at 920-965-8397 or by email at support@maverickhunting.com.

ALWAYS inspect the treestand for signs of wear or damage before each use.

ALWAYS carry emergency signal devices such as a cell phone, walkie-talkie, whistle, signal flare, PLD (personal locator device) and flashlight on your person at all times.

ALWAYS use a haul line to raise your backpack gear, unloaded firearm or bow to your treestand once you have reached stand platform. Never climb with anything in your hands or on your back. Prior to descending, lower your equipment on the side of the treestand opposite of your descent route.

ALWAYS know your physical limitations. Don't take chances. If you start thinking about how high you are, don't go any higher.

NEVER use homemade or permanently elevated stands or make modifications to a purchased tree stand without the manufacturer's written permission.

ALWAYS wear the appropriate footwear when using a ladder treestand. A good non-slip safety boot is important to your personal safety. Be especially careful that boot laces do not get hooked on the stand or any of its components (tuck shoelaces into boots before climbing).

NEVER use a treestand during inclement weather such as rain, lightning, windstorms, or icy conditions and end your hunt and return to the ground if inclement conditions arise.

NEVER use a treestand while using drugs (even prescription drugs) or alcohol.

NEVER Never use, install, or remove a treestand, tripod or tower when feeling ill, nauseous or dizzy, or if you have a prior medical condition that could cause a problem i.e., heart condition, joints that lock - up, spinal fusions, etc. or if you are not well rested.

Check every ladder section connection every time you use the stand before you leave the ground. If ladder sections are separating, do not use the stand.

Prior to setting up your tripod or tower stand inspect the ground surface area. The ground must be firm, level and free of any debris. Soft or sloping ground and debris can cause the platform to become unstable and lead to unsafe conditions such as tilting, shifting or tipping. Never attempt to climb a tripod or tower stand that is leaning, unstable or slanted.

LIMITED WARRANTY POLICY

LIMITED WARRANTY PERIODS

Limited Warranty: 1 Year (12 months) from date of purchase

This warranty shall not apply to any product which has been subjected to misuse; misapplication; neglect (including but not limited to improper maintenance); accident; improper installation; modification (including but not limited to use of unauthorized parts or attachments); adjustment or repair. THE FOREGOING IS IN LIEU OF ALL OTHER WARRANTIES, WHETHER EXPRESS OR IMPLIED (INCLUDING THOSE OF MERCHANTABILITY AND FITNESS OF ANY PRODUCT FOR A PARTICULAR PURPOSE), AND OF ANY OTHER OBLIGATION OF LIABILITY ON THE PART OF THE COMPANY.

(B) Limitation of Liability

It is expressly understood that manufacturer's liability for its products, whether due to breach of warranty, negligence, strict liability, or otherwise, is limited to the repair of the product, as stated above, and manufacturer will not be liable for any other injury, loss, damage, or expense, whether direct or consequential, including but not limited to loss of use, income, profit, or damage to material, arising in connection with the sale, installation, use of, inability to use, or the repair or replacement of our products

Manufacturer reserves the right to make alterations or modifications in its products at any time, which in its opinion, may improve the performance and efficiency of the product. It shall not be obligated to make such alterations or modifications to products already in service.

RETURNS: Products may not be returned without written approval from the manufacturer.

CONTACT: Maverick® Hunting 920-965-8397 or support@maverickhunting.com

FOLLOW US @MAVERICKHUNTING

