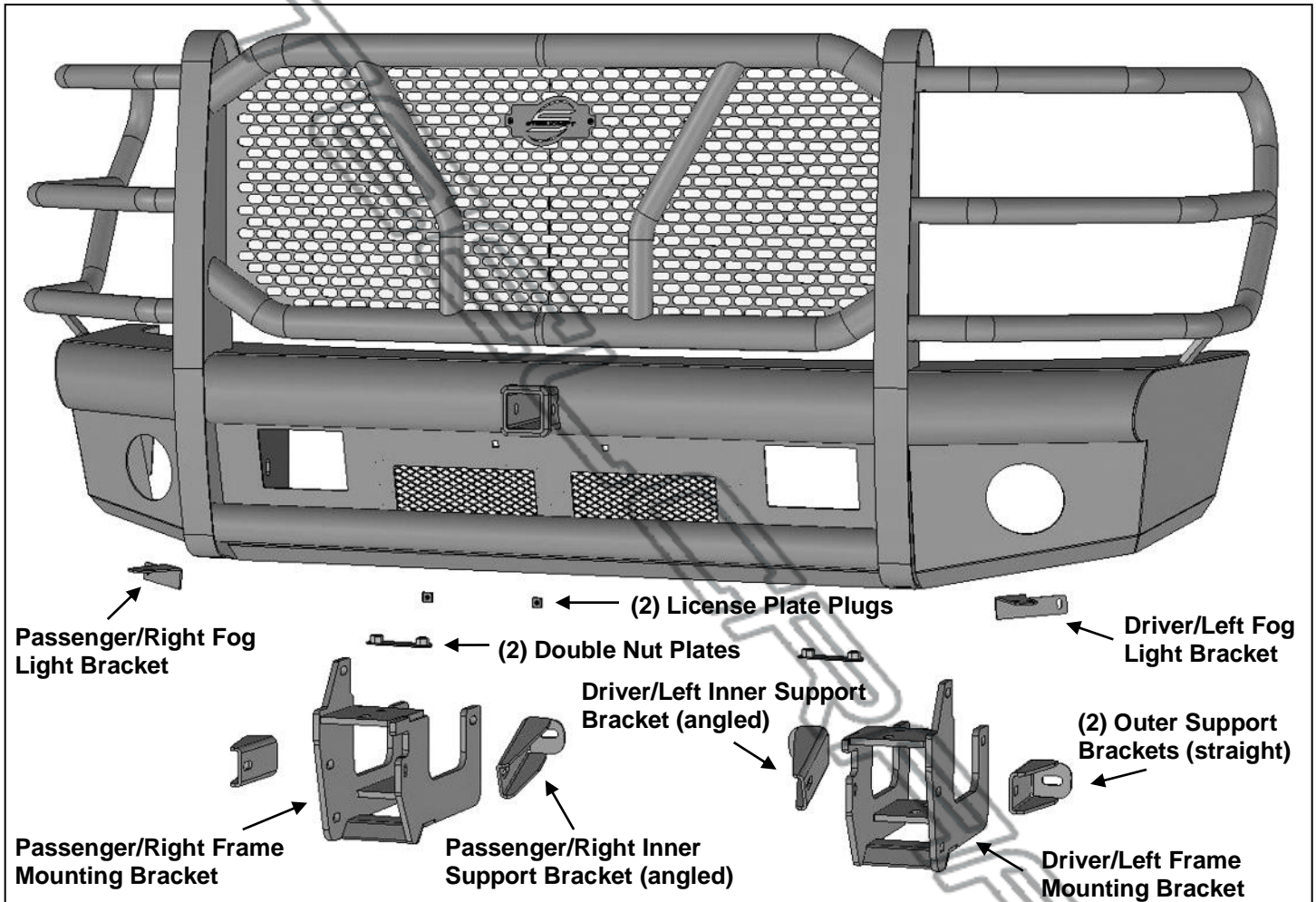


PARTS LIST:

1	HD Replacement Front Bumper Assembly	2	12mm Double Nut Plates
1	Driver/Left Frame Mounting Bracket	2	12-1.75mm x 160mm Hex Bolts
1	Passenger/Right Frame Mounting Bracket	20	12-1.75mm x 45mm Hex Bolts
1	Driver/Left Inner Support Bracket (angled)	40	12mm x 37mm x 3mm Flat Washers
1	Passenger/Right Inner Support Bracket (angled)	4	12mm Lock Washers
2	Outer Support Brackets (straight)	18	12-1.75mm Nylon Lock Nuts
1	Driver/Left Fog Light Bracket	10	6mm x 25mm Hex Bolts
1	Passenger/Right Fog Light Bracket	20	6mm x 18mm x 1.6mm Flat Washers
2	Plastic Plugs for license plate mount	10	6mm Nylon Lock Nuts



PROCEDURE:

REMOVE CONTENTS FROM BOX. VERIFY ALL PARTS ARE PRESENT. READ INSTRUCTIONS CAREFULLY BEFORE STARTING INSTALLATION. BUMPER IS HEAVY, ASSISTANCE IS HIGHLY RECOMMENDED TO AVOID POSSIBLE INJURY OR DAMAGE TO THE VEHICLE.

1. Remove the license plate and bracket. Open the hood and remove the hardware attaching the hood release lever to the steel bracket attached to the back of the bumper, **(Figure 1)**. Also remove the screws attaching the back of the plastic fascia to the hood release bracket. On models with factory fog lights, unplug both lights and release the wiring harness from the clips attached to the back of the bumper. Move harness away from bumper.
2. Place blocks or jack stands under the front bumper to support it during mounting bolt removal. Once the bumper has been safely supported, remove the (2) large hex nuts from the back of each bumper bracket, **(Figure 2)**. **WARNING!** Assistance is required to hold the bumper in place during bolt removal

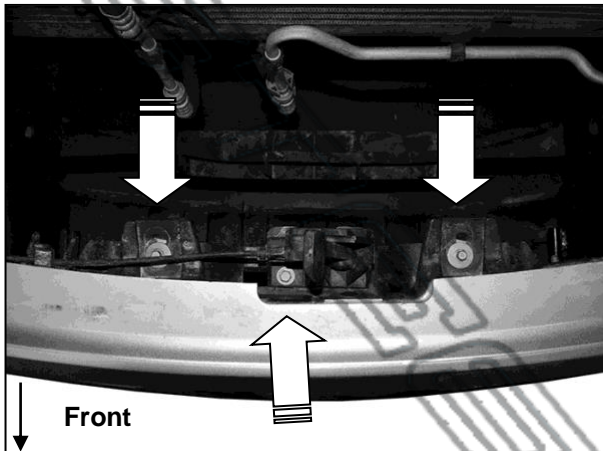
to prevent the bumper from falling. Carefully slide the bumper off over the tow hooks. Next, remove the air dam from the bottom of the frame if equipped, **(Figure 3)**.

3. Remove the driver/left side tow hook, if equipped, from the bottom of the frame. Leave the factory double nut plate inside the frame, **(Figure 4)**. On models without tow hook, insert (1) Double Nut Plate into the open end of the frame, **(Figure 4)**.
4. Next, select the driver/left side Frame Mounting Bracket, **(Figure 5)**. Attach the Bracket to the bottom of the frame and Double Nut Plate with (2) 12mm x 45mm Hex Bolts, (2) 12mm Lock Washers and (2) 12mm Flat Washers, **(Figures 5 & 6)**. Leave hardware loose at this time.
5. Insert (1) 12mm x 160mm Long Hex Bolt with (1) 12mm Flat Washer through the outside of the mounting tab on the Frame Bracket, through the frame and inner tab, **(Figure 7)**. Secure with (1) 12mm Flat Washer and (1) 12mm Nylon Lock Nut, **(Figures 7 & 8)**. Do not fully tighten hardware.
6. Select the driver/left side angled Inner Support Bracket. Line up the bent end of the Support Bracket with the slot in the bumper mounting flange on the frame. Attach the Support Bracket to the mounting flange with (1) 12mm x 45mm Hex Bolt, (2) 12mm Flat Washers and (1) 12mm Nylon Lock Nut, **(Figure 9)**. Line up the forward end of the Support Bracket with the hole in the side of the Frame Bracket. Attach the Support Bracket to the Frame Bracket with (1) 12mm x 45mm Hex Bolt, (2) 12mm Flat Washers and (1) 12mm Nylon Lock Nut, **(Figures 9 & 10)**. Do not fully tighten hardware at this time.
7. On models with tow hooks, reuse the factory hardware and Double Nut Plate or the included 12mm hardware to attach the driver/left side tow hook to the inside of the Frame Bracket, **(Figure 11)**. Fully tighten the tow hook hardware only.
8. Repeat **Steps 3—7** to install the passenger/right side Frame Bracket, Inner Support Bracket assembly and tow hook.
9. Remove the steel bracket attached to the back of the original bumper for the hood release, **(Figure 12)**. Reuse the factory hardware to reattach the bracket to the mounting tabs on the back of the plastic fascia. Reattach the hood release lever to the steel bracket, **(Figure 13)**. Tighten hardware at this time.
10. With assistance, position the Bumper Assembly up to and over the Frame Brackets. Temporarily support the weight of the Bumper. **WARNING:** To avoid possible injury or damage to the vehicle, do not proceed until the bumper is fully and safely supported.
11. Line up the **top and bottom holes** in the driver/left side Frame Bracket with the holes in the inner mounting plate on the back of the Bumper. Attach the Bumper to the Bracket with the included (2) 12mm x 45mm Hex Bolts, (4) 12mm Flat Washers and (2) 12mm Nylon Lock Nuts, **(Figure 14)**. Snug but do not tighten hardware at this time. Repeat this **Step** to attach the passenger/right side of the Bumper to the Frame Bracket.
12. Select (1) Straight Outer Support Bracket. Line up the Support Bracket with the slot in the bumper mounting flange on the driver/left side of the frame. Attach the Support Bracket to the mounting flange with (1) 12mm x 45mm Hex Bolt, (2) 12mm Flat Washers and (1) 12mm Nylon Lock Nut, **(Figure 15)**. Line up the forward end of the Support Bracket with the hole in the side of the mounting plate on the Bumper and the Frame Bracket. Attach the Support Bracket to the Frame Bracket with (1) 12mm x 45mm Hex Bolt, (2) 12mm Flat Washers and (1) 12mm Nylon Lock Nut, **(Figures 15 & 16)**. Do not fully tighten hardware at this time. Repeat this **Step** to attach the passenger side outer Support Bracket.
13. Level and adjust the Bumper and fully tighten all 12mm hardware to 65-70ft-lbs.
14. **Models with fog lights:**
 - a. Remove both fog light assemblies from the back of the original bumper, **(Figure 17)**.
 - b. Select the driver/left Fog Light Bracket, **(Figure 18)**. Attach the Bracket to the (2) holes in the bottom of the opening in the Bumper with the included (2) 6mm x 25mm Hex Bolts, (4) 6mm Flat Washers and (2) 6mm Nylon Lock Nuts,
 - c. Line up the driver/left side fog light assembly with the (2) upper mounting tabs and the lower Light Bracket on the back of the Bumper. Attach the fog light assembly to the tabs with the included (3) 6mm x 25mm Hex Bolts, (6) 6mm Flat Washers and (3) 6mm Nylon Lock Nuts, **(Figure 19)**. Mounting tabs may move during shipping. Use hand tools to carefully adjust mounting tabs to line up flat with plastic fog light housing. **IMPORTANT:** Do not overtighten 6mm hardware attaching fog light to Bumper or plastic housing may be damaged.
 - d. Repeat to install the passenger/right side fog light assembly.
 - e. Plug the factory wiring harness into both lights.

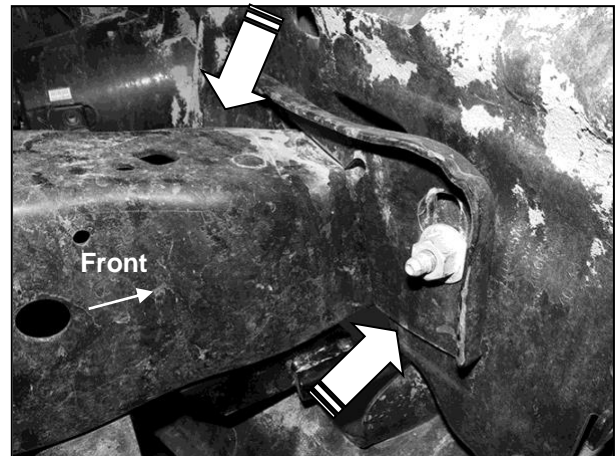
15. Use the included (2) push-in Plastic Plugs to attach the front license plate, (if required), to the (2) square holes in the front bumper, **(Figure 20)**.
16. Do periodic inspections of the installation to make sure that all hardware is secure and tight.

To protect your investment, Do not use any type of polish or wax that may contain abrasives that could damage the finish. Mild soap may be used to clean the Front Bumper assembly.

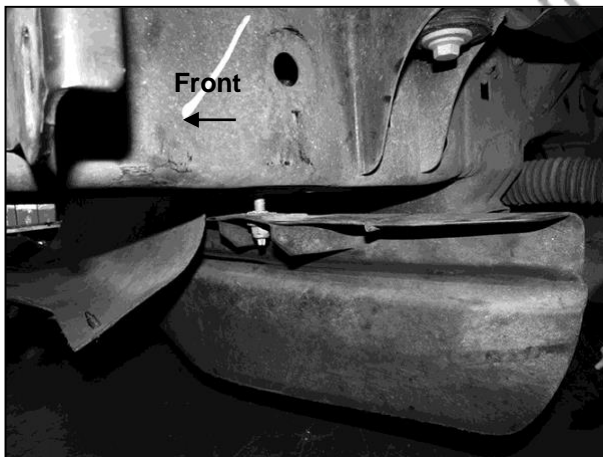
Driver/left Side Installation Pictured



(Fig 1) Remove screws attaching hood latch to bracket and bracket to bumper (arrows)

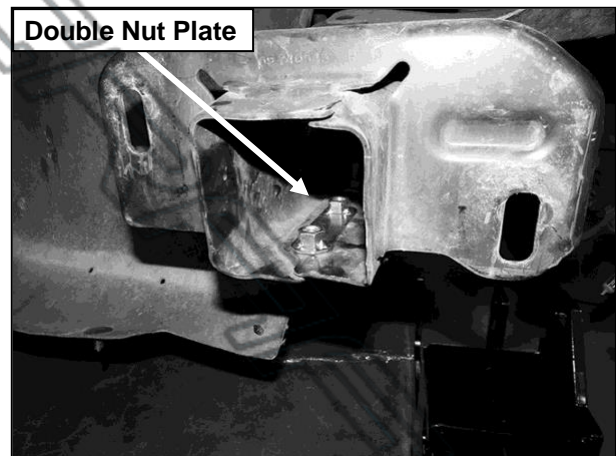


(Fig 2) Remove factory hex nuts from back of bumper bracket (arrows)



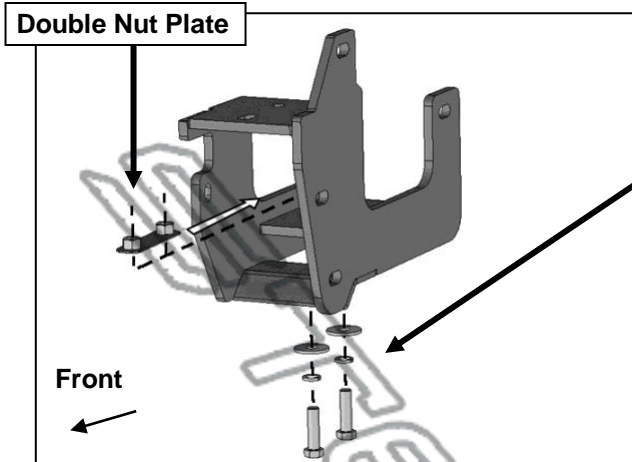
(Fig 3) Remove air dam from bottom of frame

WARNING! Do not remove bumper bolts unless the bumper is properly supported on blocks or stands or it may fall.



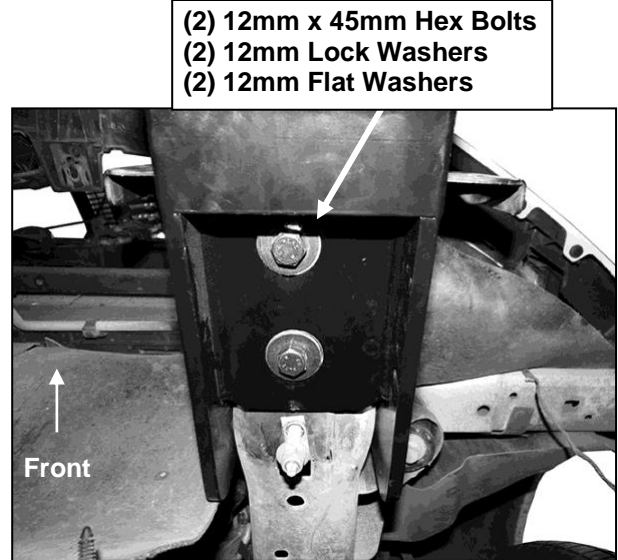
(Fig 4) Models without tow hook, slide the included 12mm Double Nut Plate into open end of frame.
Models with tow hook, remove tow hook from bottom of frame and leave factory nut plate in place in frame

Driver/left Side Installation Pictured



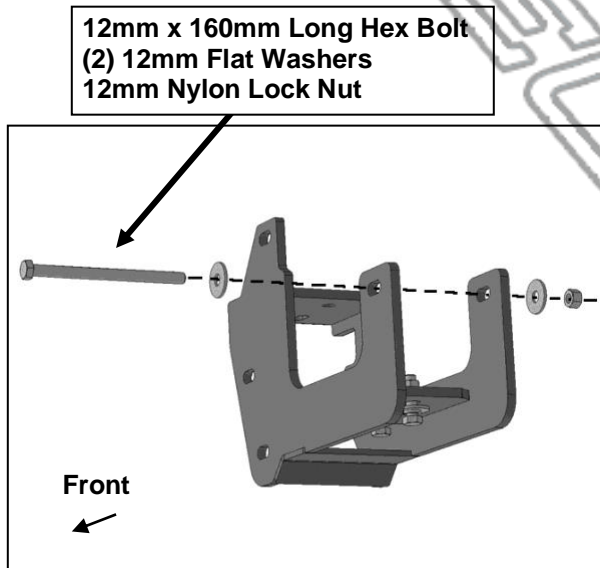
(2) 12mm x 45mm Hex Bolts
(2) 12mm Lock Washers
(2) 12mm Flat Washers

(Fig 5) Attach Driver/left Frame Bracket to frame and Double Nut Plate



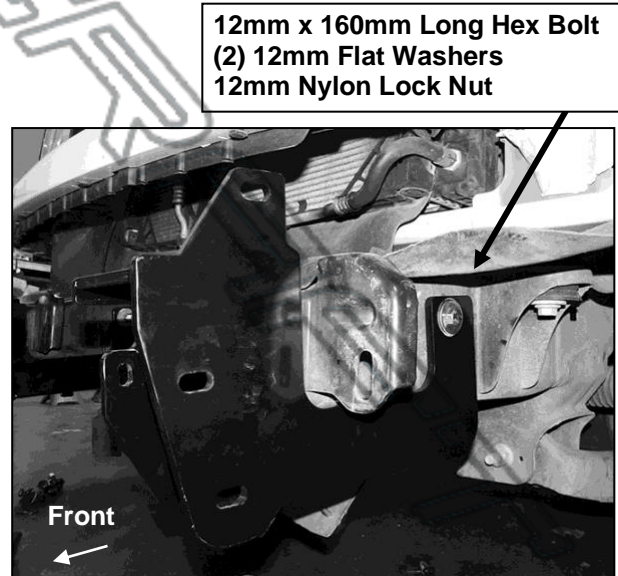
(2) 12mm x 45mm Hex Bolts
(2) 12mm Lock Washers
(2) 12mm Flat Washers

(Fig 6) Driver/left Frame Bracket pictured from below



12mm x 160mm Long Hex Bolt
(2) 12mm Flat Washers
12mm Nylon Lock Nut

(Fig 7) Attach rear tabs on driver/left Frame Mounting Bracket to sides of frame

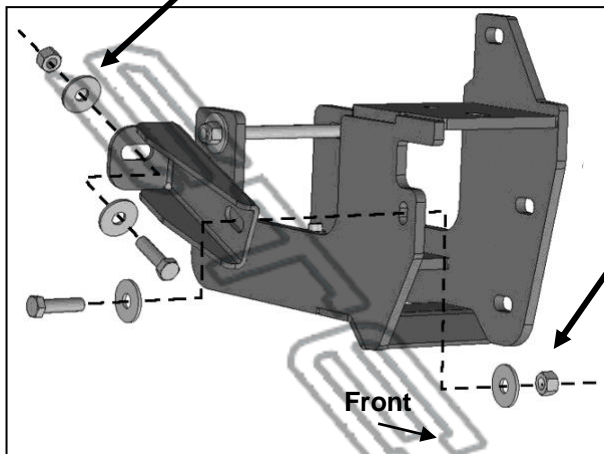


12mm x 160mm Long Hex Bolt
(2) 12mm Flat Washers
12mm Nylon Lock Nut

(Fig 8) Driver/left Frame Bracket installed

Driver/left Side Installation Pictured

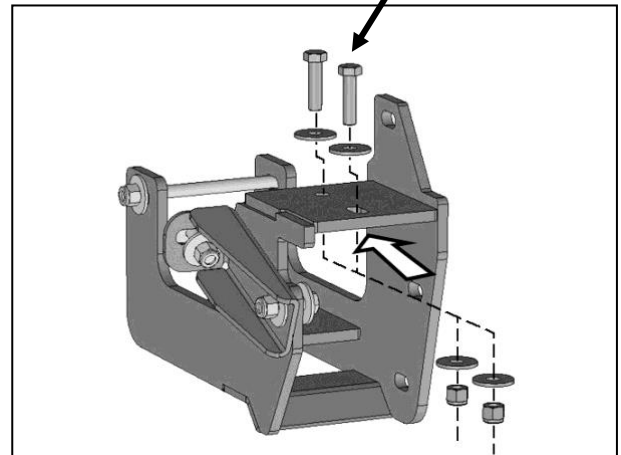
12mm x 45mm Hex Bolt
(2) 12mm Flat Washers
12mm Nylon Lock Nut



(Fig 9) Attach driver/left side angled Inner Support Bracket to bumper flange on frame and

12mm x 45mm Hex Bolt
(2) 12mm Flat Washers
12mm Nylon Lock Nut

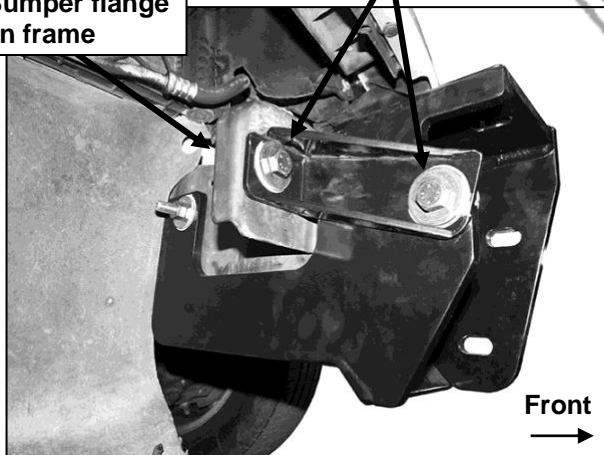
(2) 12mm x 45mm Hex Bolts
(4) 12mm Flat Washers
(2) 12mm Nylon Lock Nuts



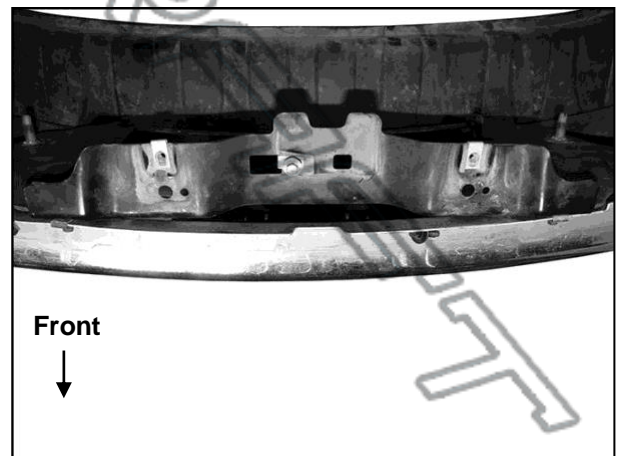
(Fig 10) Models with tow hooks, reuse the factory hardware to attach tow hook to inside of Frame Bracket (arrow) or use included 12mm hardware

(2) 12mm x 45mm Hex Bolts
(4) 12mm Flat Washers
(2) 12mm Nylon Lock Nuts

Bumper flange
on frame

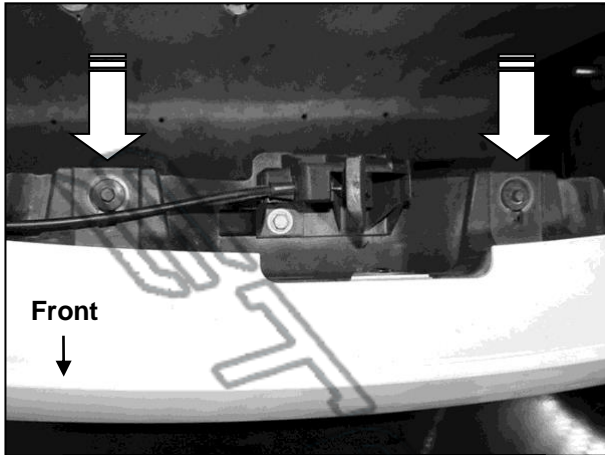


(Fig 11) Attach angled driver/left Inner Support Bracket to bumper flange on frame and driver/left Frame Bracket



(Fig 12) Remove latch bracket from bumper

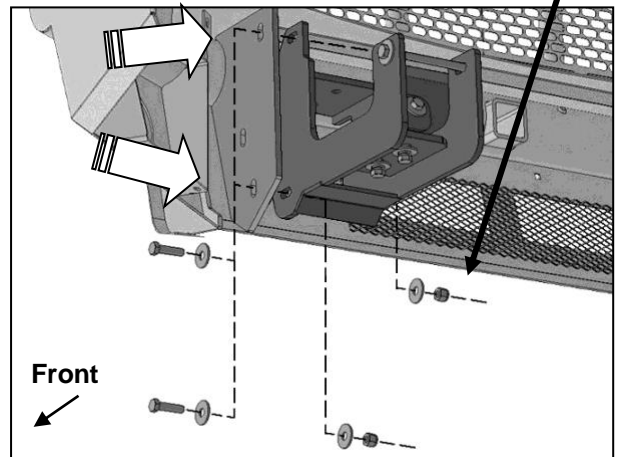
Driver/left Side Installation Pictured



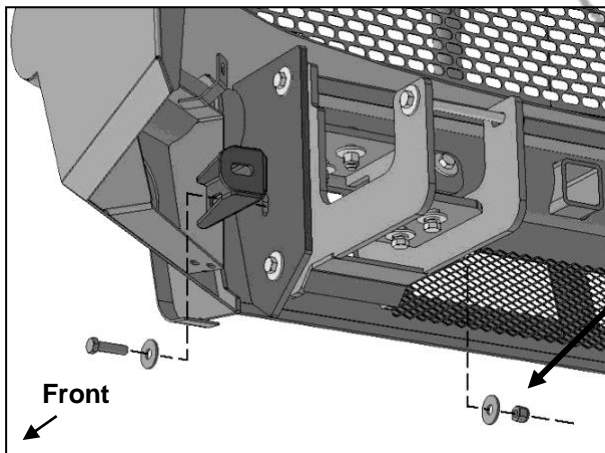
(Fig 13) Attach latch bracket to tabs on plastic fascia body panel

WARNING! Do not crawl under bumper unless it is properly supported on blocks or stands or the bumper may fall.

- (2) 12mm x 45mm Hex Bolts
- (4) 12mm Flat Washers
- (2) 12mm Nylon Lock Nuts

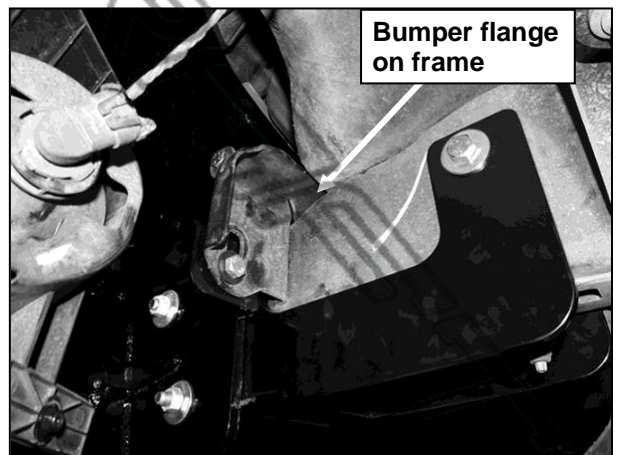


(Fig 14) Attach Bumper to outside of Frame Brackets



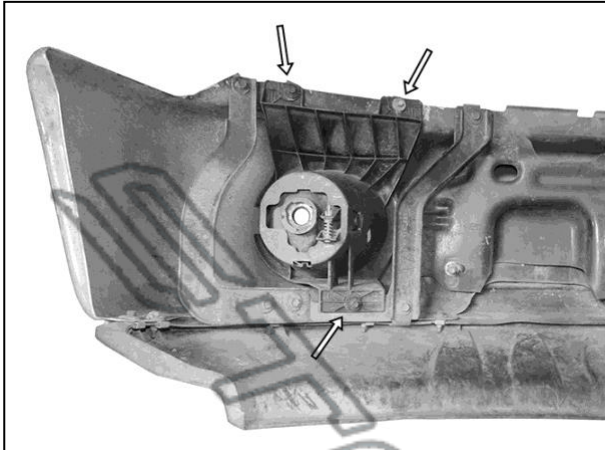
(Fig 15) Attach Outer Support Bracket to flange on frame and center hole in Bumper Bracket

- 12mm x 45mm Hex Bolt
- (2) 12mm Flat Washers
- 12mm Nylon Lock Nut

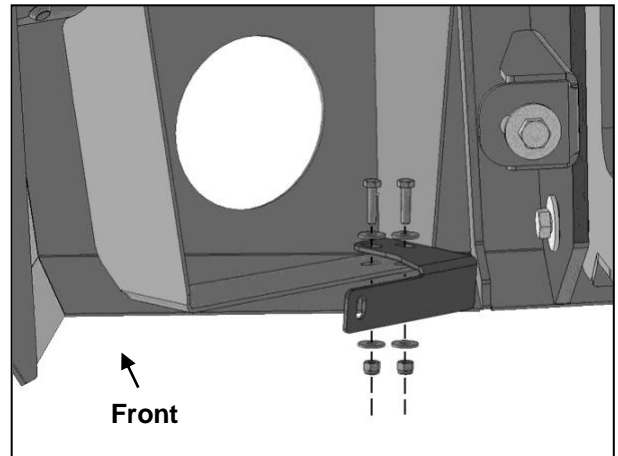


(Fig 16) Attach Outer Support Bracket to flange on frame and center hole in Bumper Bracket

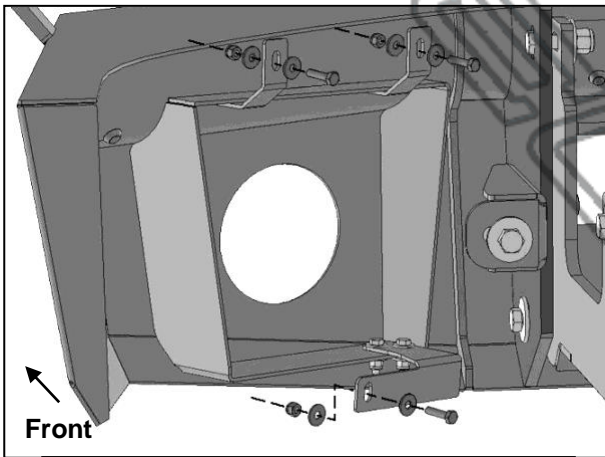
Driver/left Side Installation Pictured



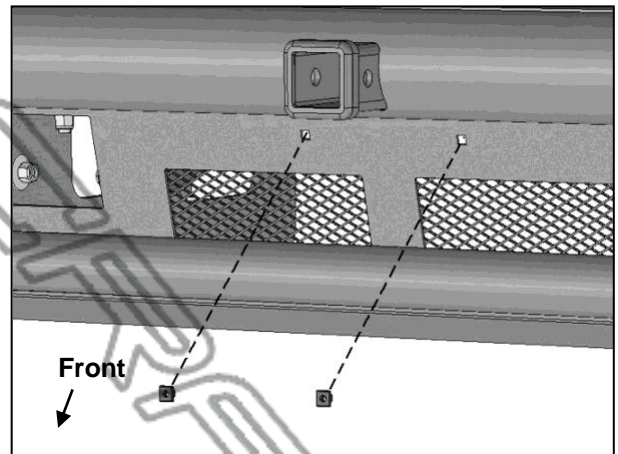
(Fig 17) Remove fog light assembly if equipped



(Fig 18) Attach driver/left Fog Light Bracket to bottom of opening in Bumper



(Fig 18) Attach fog light assembly to top tabs on back of Bumper and Bracket



(Fig 20) Push plastic plugs into holes in Bumper for license plate if required.



Complete Installation