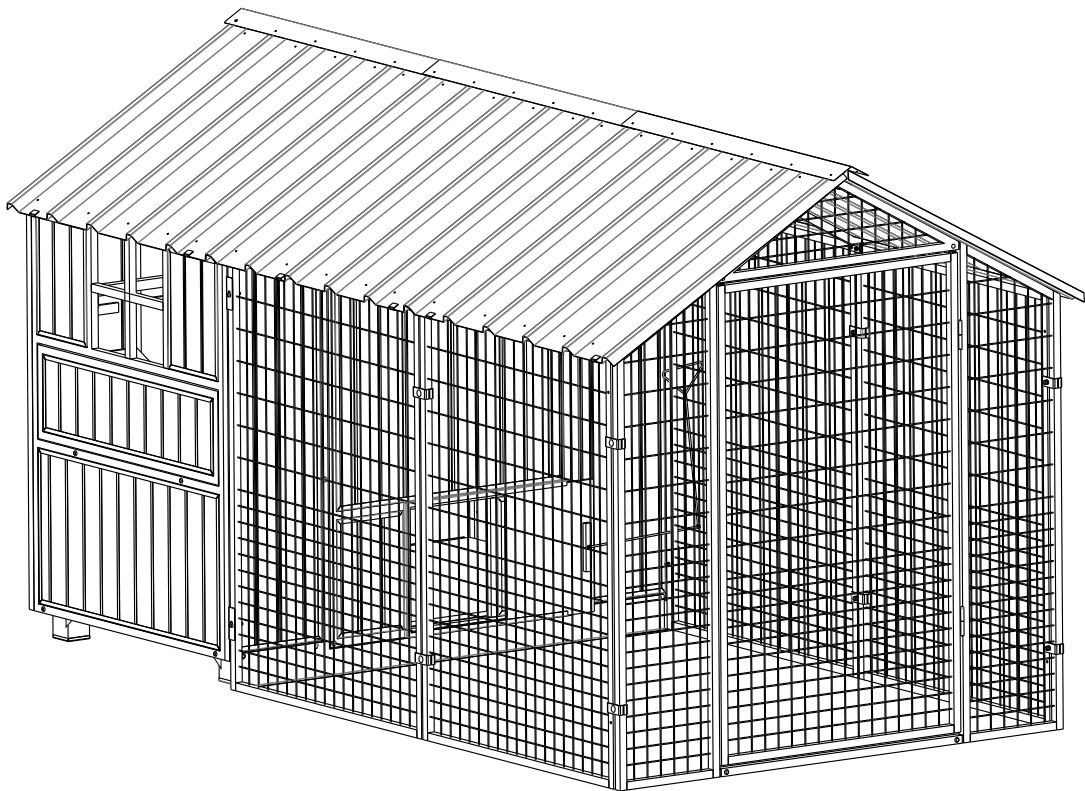


PP GUARDIAN CHICKEN COOP ASSEMBLY MANUAL



SKU#1994517/2432297

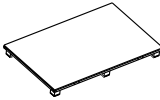
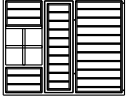

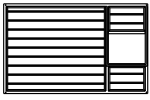


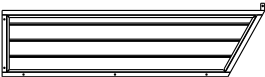
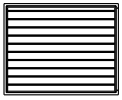
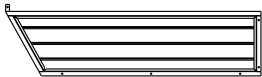
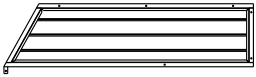

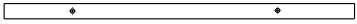

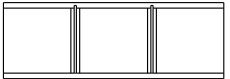
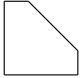


Tools required for assembly (not included)


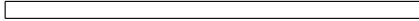
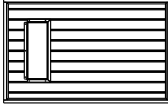
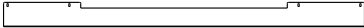
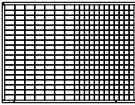
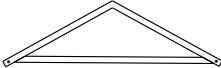

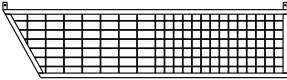



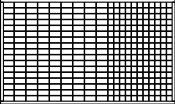

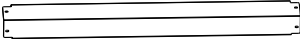



Distributed by: TRACTOR SUPPLY COMPANY
5401 VIRGINIA WAY, BRENTWOOD, TN 37027
For customer support, call: 1-888-376-9601
www.TractorSupply.com
MADE IN CHINA

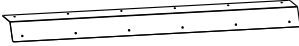
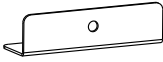



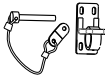
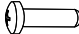
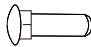




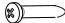

PARTS LIST

| Part# | Description | Drawing | Qty. |
|-------|---|--|------|
| 1 | Coop Floor-Same As The Packaging Pallet Floor |  | 1 |
| 2 | Coop Left Wood Panel |  | 1 |
| 3 | Coop Front Panel-Left Side |  | 1 |
| 4 | Coop Front Panel-Middle |  | 1 |
| 5 | Coop Front Panel-Top Triangle |  | 1 |
| 6 | Sliding Door |  | 1 |
| 7 | Coop Front Panel-Right Side |  | 1 |
| 8 | Coop Right Wood Panel |  | 1 |
| 9 | Coop Back Panel-Left Side |  | 1 |
| 10 | Coop Back Panel-Right Side |  | 1 |
| 11 | Coop Back Panel-Top Triangle |  | 1 |
| 12 | Nesting Box Support Bar-1 |  | 1 |
| 13 | Nesting Box Support Bar-2 |  | 2 |
| 14 | Nesting Box Bottom Board |  | 1 |
| 15 | Nesting Box Divider |  | 2 |

PARTS LIST

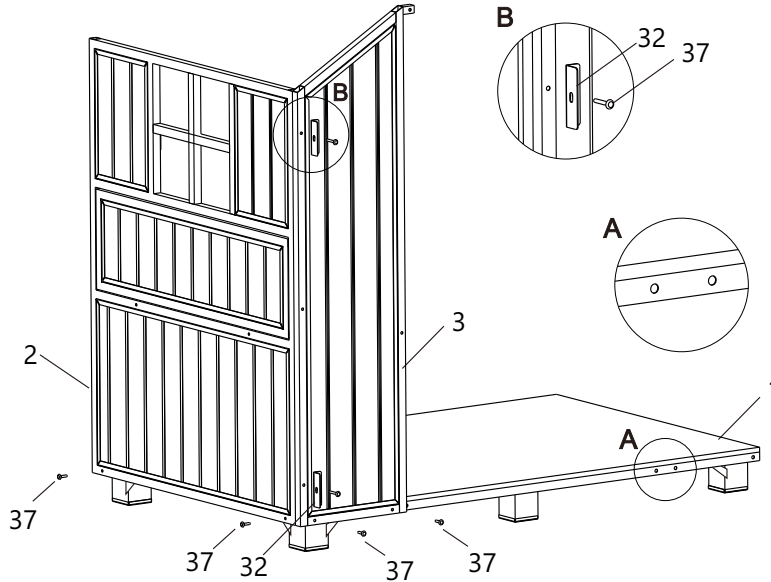
| Part# | Description | Drawing | Qty. |
|-------|------------------------------|--|------|
| 16 | Short Roosting Bar |  | 1 |
| 17 | Long Roosting Bar |  | 2 |
| 18 | Back Door Panel |  | 1 |
| 19 | Guard Sheet |  | 1 |
| 20 | Mesh Side Panel |  | 4 |
| 21 | Roof Support Frame 1 |  | 1 |
| 22 | Roof Support Frame 2 |  | 2 |
| 23 | Mesh Door-Left Panel |  | 1 |
| 24 | Mesh Door-Right Panel |  | 1 |
| 25 | Mesh Door-Top Triangle Panel |  | 1 |
| 26 | Door Bottom Bar |  | 1 |
| 27 | Mesh Door Panel |  | 1 |
| 28 | Shoulder Support Frame |  | 6 |
| 29 | Roof Ridge Support Frame |  | 3 |
| 30 | Roof PVC Panel |  | 6 |

PARTS LIST

| Part# | Description | Drawing | Qty. |
|-------|------------------------------|--|-------|
| 31 | Roof Ridge Metal Cover |  | 3 |
| 32 | Coop Connecting Metal |  | 4 |
| 33 | Metal Panel Clamps |  | 16 |
| 34 | Roof Panel Hook |  | 12 |
| 35 | Sliding Door Helper |  | 1 |
| 36 | Door Latch |  | 2 |
| 37 | M6x40 Bolt |  | 52+3 |
| 38 | M8x45 Bolt |  | 8+1 |
| 39 | M6 Nut |  | 20+2 |
| 40 | M8 Nut |  | 8+1 |
| 41 | Self-tapping Screw 3.5x13 |  | 8+2 |
| 42 | Hexagonal Self-tapping Screw |  | 94+10 |
| 43 | Tapping Screw 3.9x19 |  | 32+5 |
| 44 | M4x20 Bolt |  | 1 |

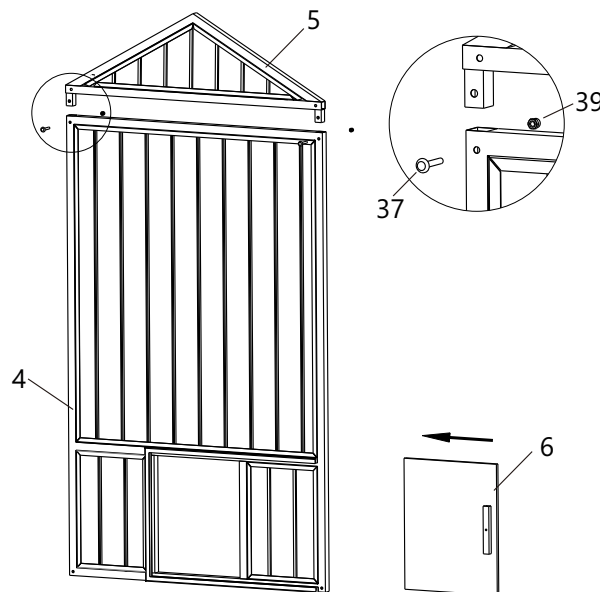
Step 1

- A. Identify the front of the Coop Floor. (On the front side, there are two holes in circle A).
- B. Follow below diagram, fix Coop Floor (#1), Coop Left Wood Panel (#2), and Coop Front Panel-Left Side (#3) together by Bolt (#37).
- C. On the left edge of the Front Panel, fix two pcs of Coop Connecting Metal (#32) with Bolt (#37) for later use.



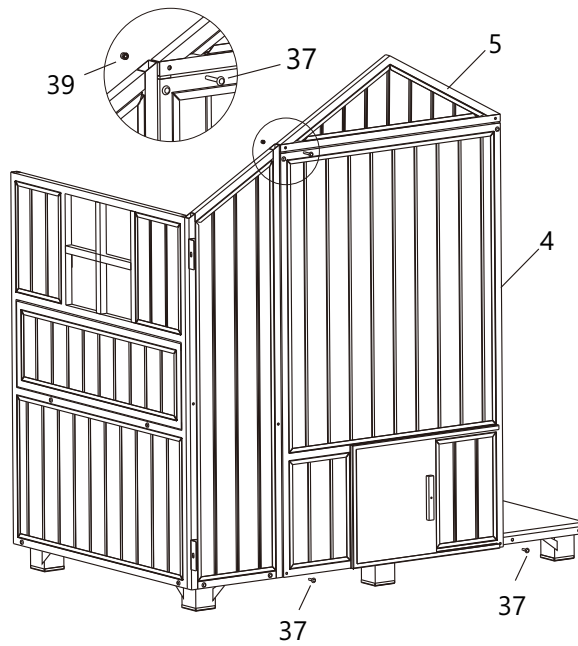
Step 2

- Fix Coop Front Panel-Top Triangle (#5) on the top of Coop Front Panel-Middle (#4), by Bolt (#37) and Nut (39#). Then insert the Sliding door (#6) in to the U-channel.



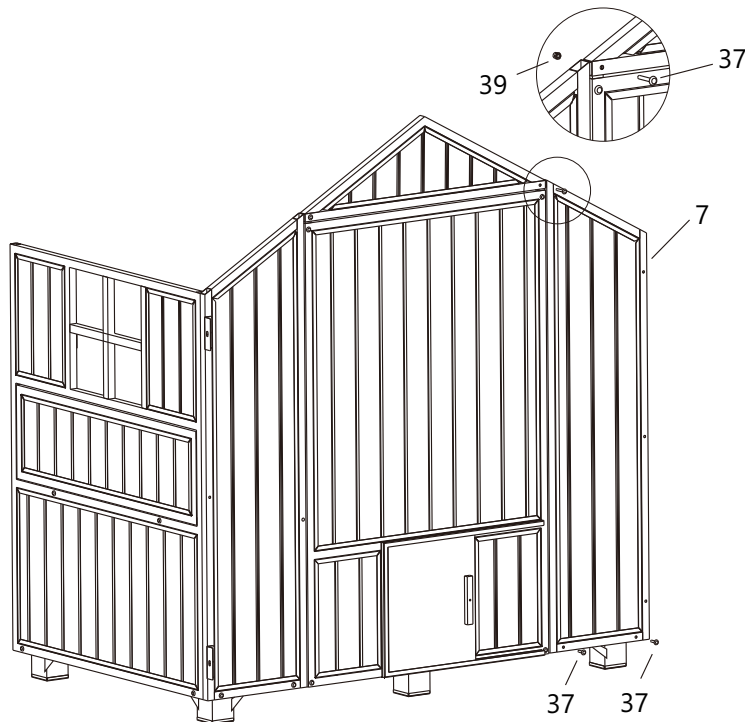
Step 3

- Assemble the (#4) & (#5) combination part into the Coop by Bolt (#37), and Nuts(#39), next to (#3).



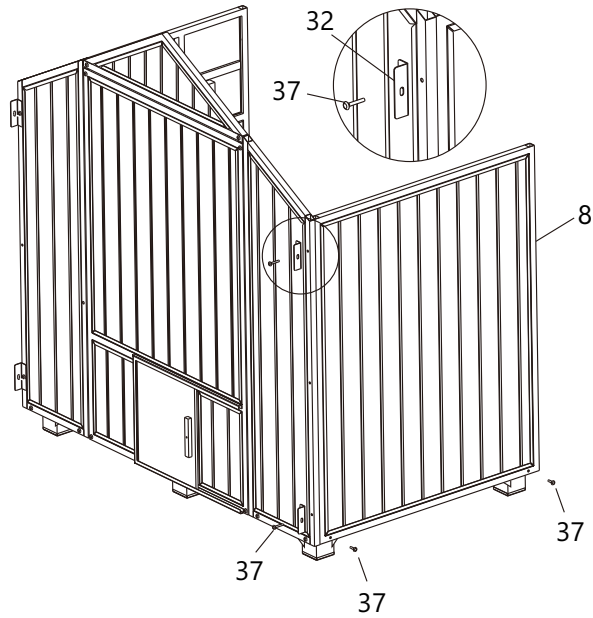
Step 4

- Continue to fix the Coop Front Panel-Right Panel (#7) as below diagram by Bolt (#37), and Nuts(#39).



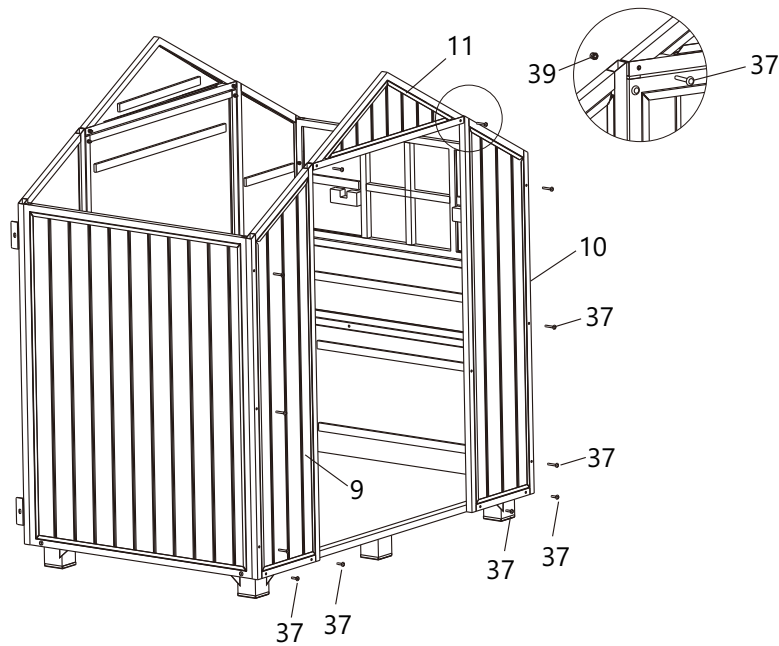
Step 5

- Attach the Coop Right Wood Panel (#8) by Bolt (#37). Then fix the rest 2pcs of Coop Connecting Metal (#32) with Bolt (#37) on the right edge of the front panel.



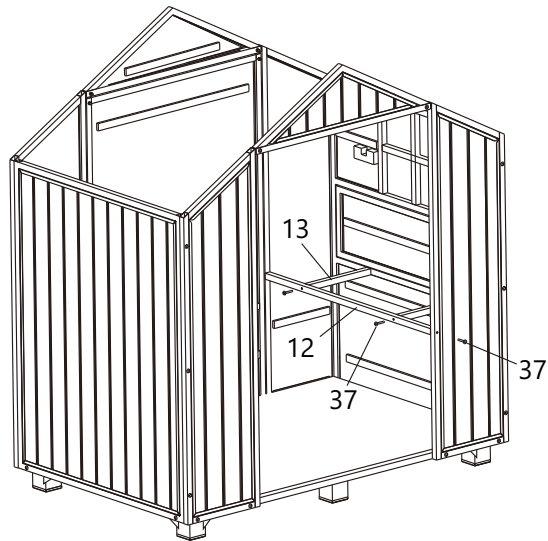
Step 6

- Repeat above steps assemble Coop Back Panel-Left Side (#9), Coop Back Panel-Right Side (#10), and Coop Back Panel-Top Triangle Part (#11) by Bolt (#37) and Nut (39#).



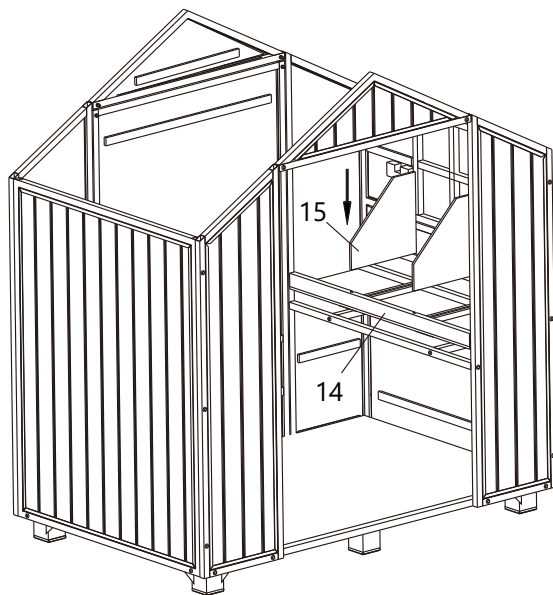
Step 7

- Follow below diagram, fix the Nesting Box Support Bars (#12 & #13) by Bolt (#37).



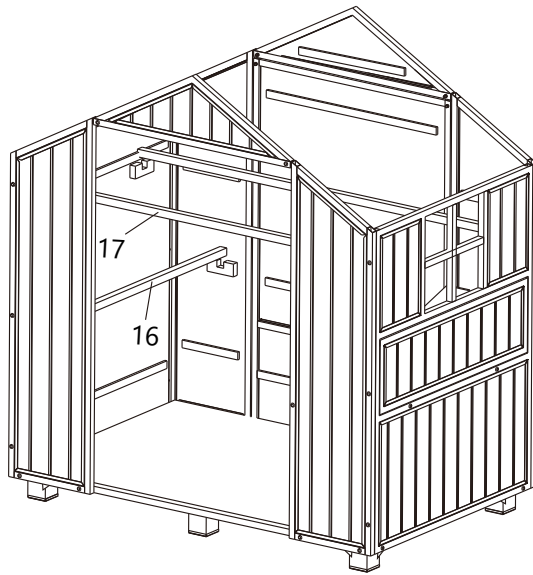
Step 8

- Attach the Nesting Box Bottom Board (#14) and Nesting Box Divider (#15).



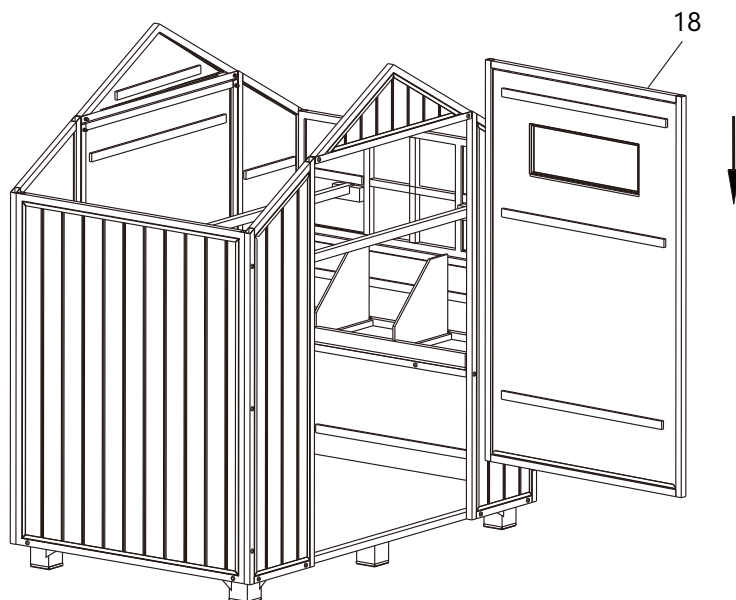
Step 9

- Insert the Short Roosting Bar(#16) and Long Roosting Bar (#17).



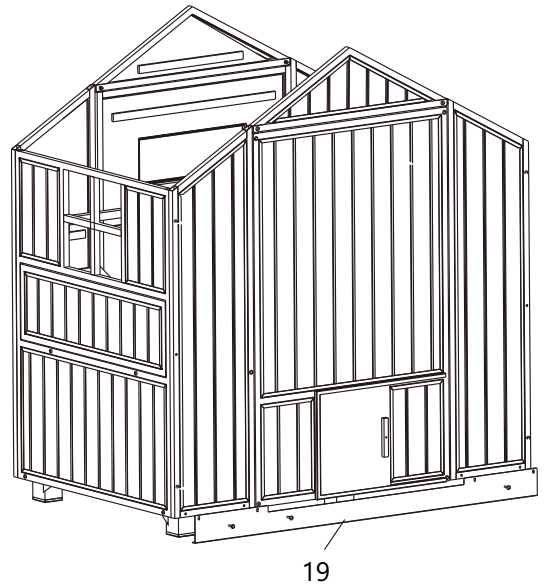
Step 10

- Fix the Door Panel(#18) into its position.



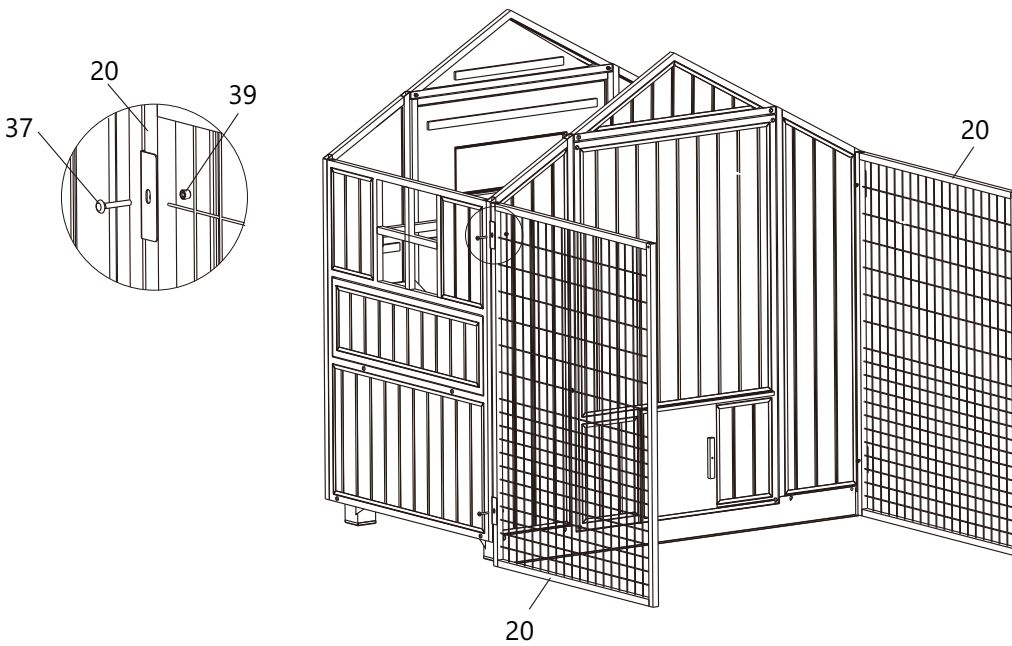
Step 11

- Loosen the 4 screws in the Coop Floor, fix the Guard Sheet (#19) as below diagram, then reattach it.



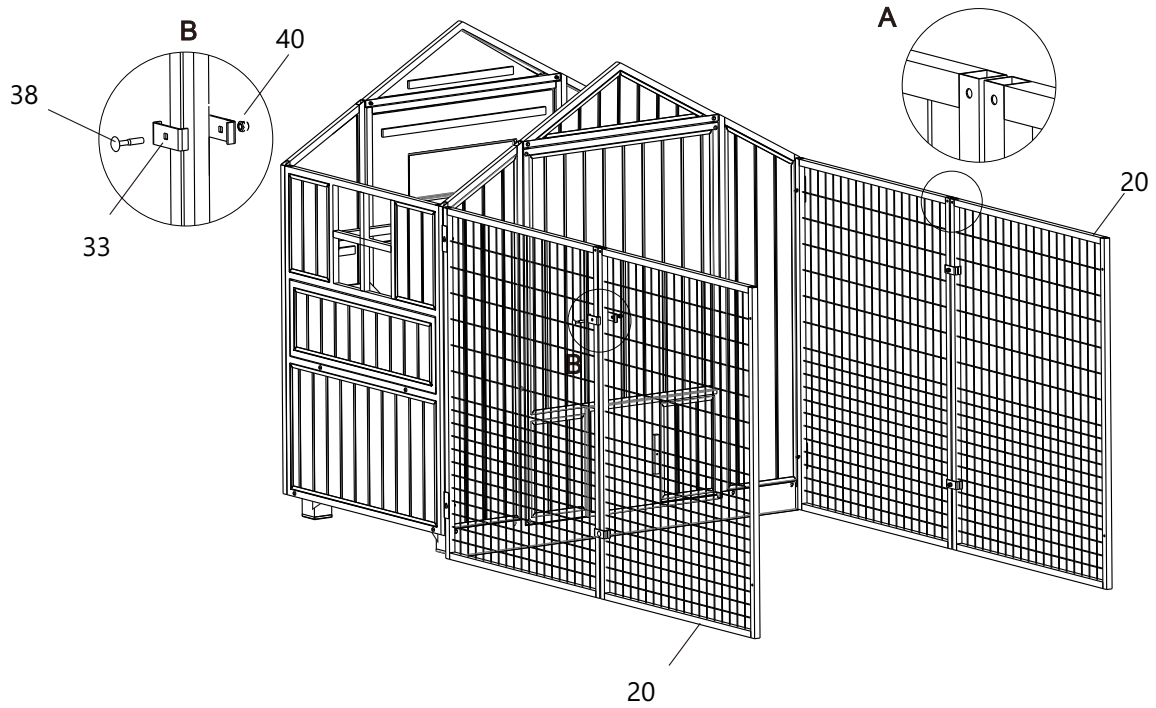
Step 12

- Put the Mesh Side Panel (#20) next to the Coop Connecting Metal (#32), connect it to the Coop part by Bolt (#37) and Nut (#39).



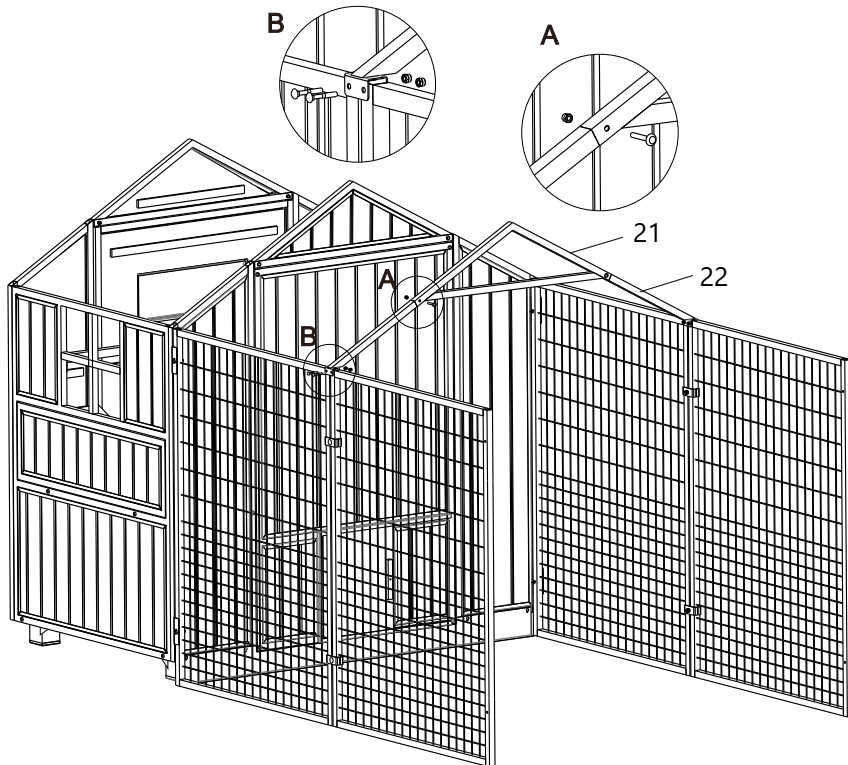
Step 13

- Continue to assemble the remaining 2pcs Mesh Side Panel (#20) by Clamps (#33), Bolt (#38) and Nut (#40).



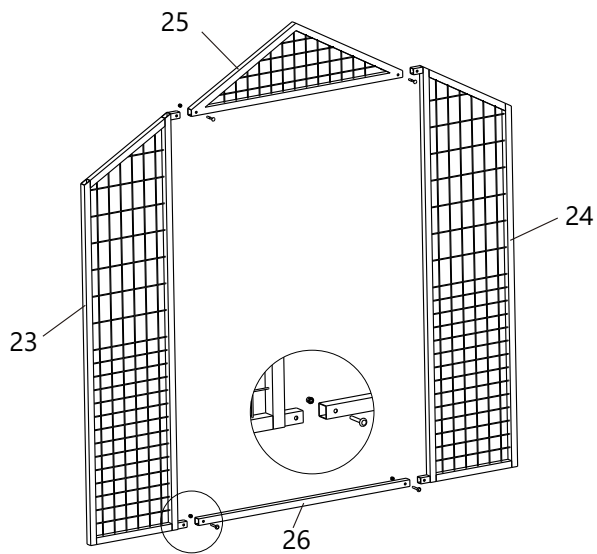
Step 14

- Assemble Roof Support Frame 1 (#21) and Roof Support Frame 2 (#22) by Bolt (#37) and Nut (#39).



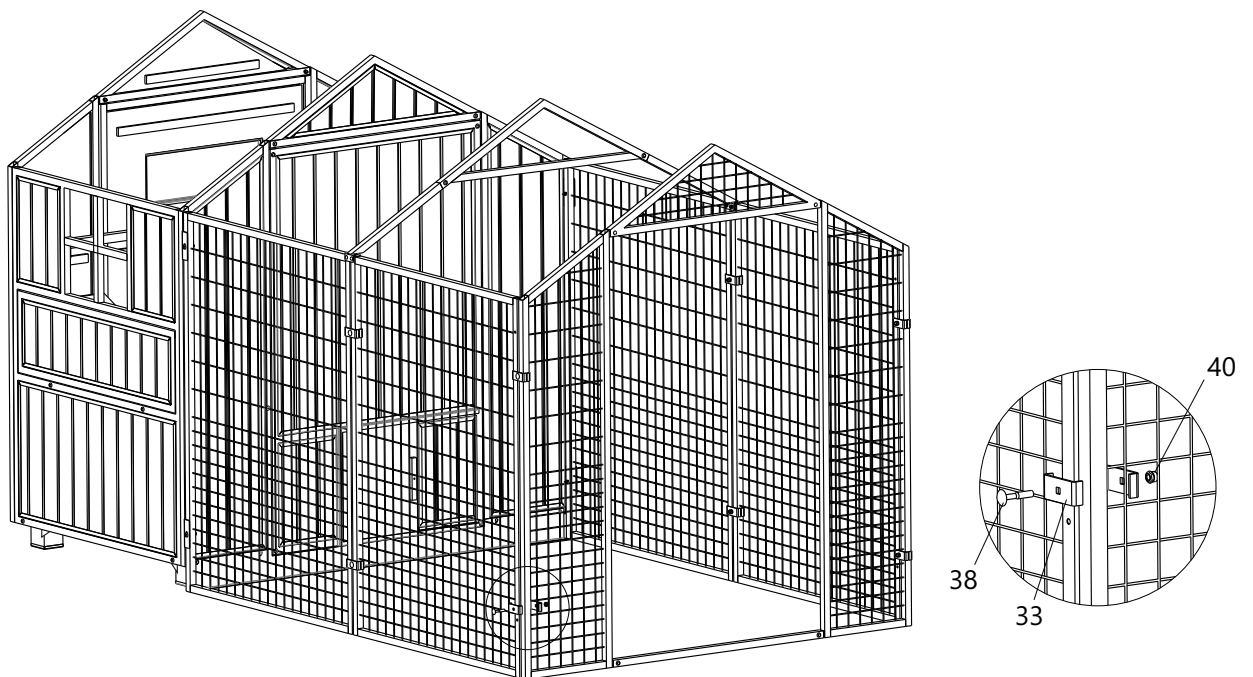
Step 15

- Follow below diagram, use Mesh Door-Left Panel (#23), Mesh Door-Right Panel (#24), Mesh Door-Top Triangle Panel (#25) and Door Bottom Bar (#26), to finish the frame structure of the mesh door.



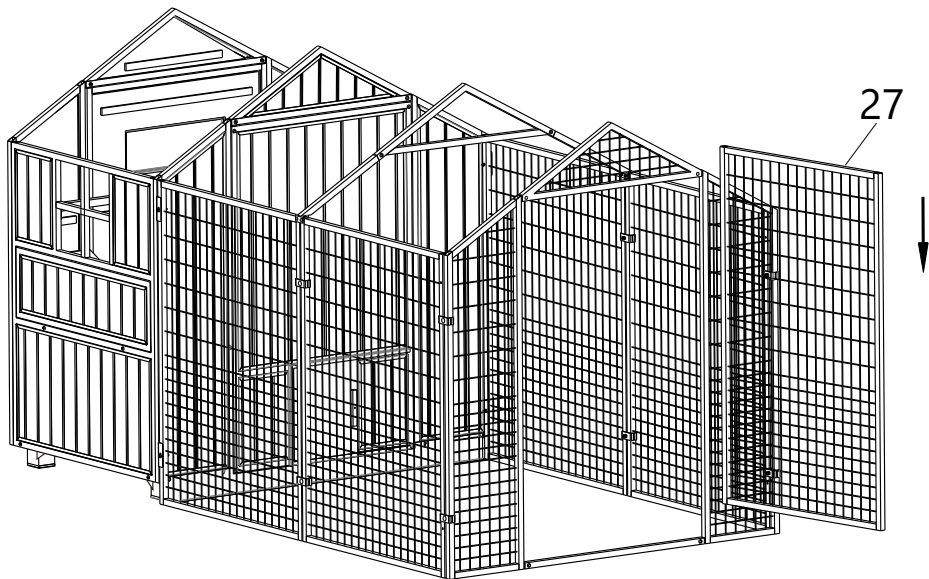
Step 16

- Attach the Mesh Door Frame from Step 15 into the main frame by Clamp (#33), Bolt (#38) and Nut (#40).



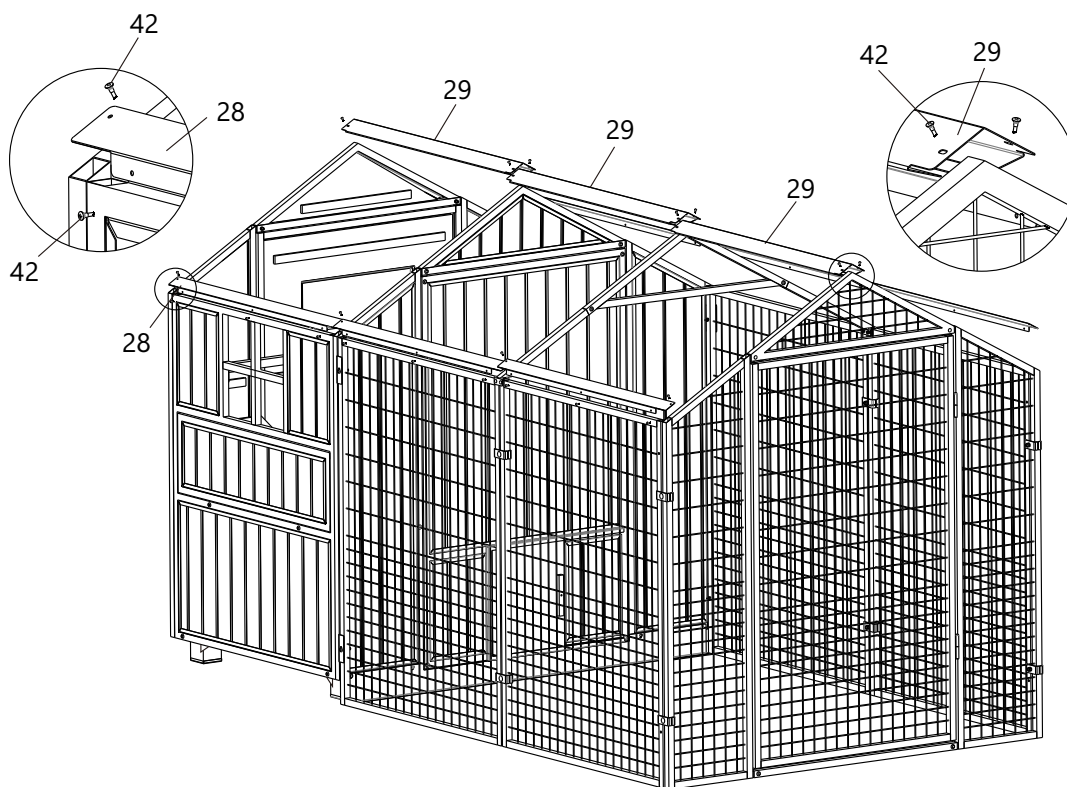
Step 17

- Slide the Metal Door (#27) into its position.



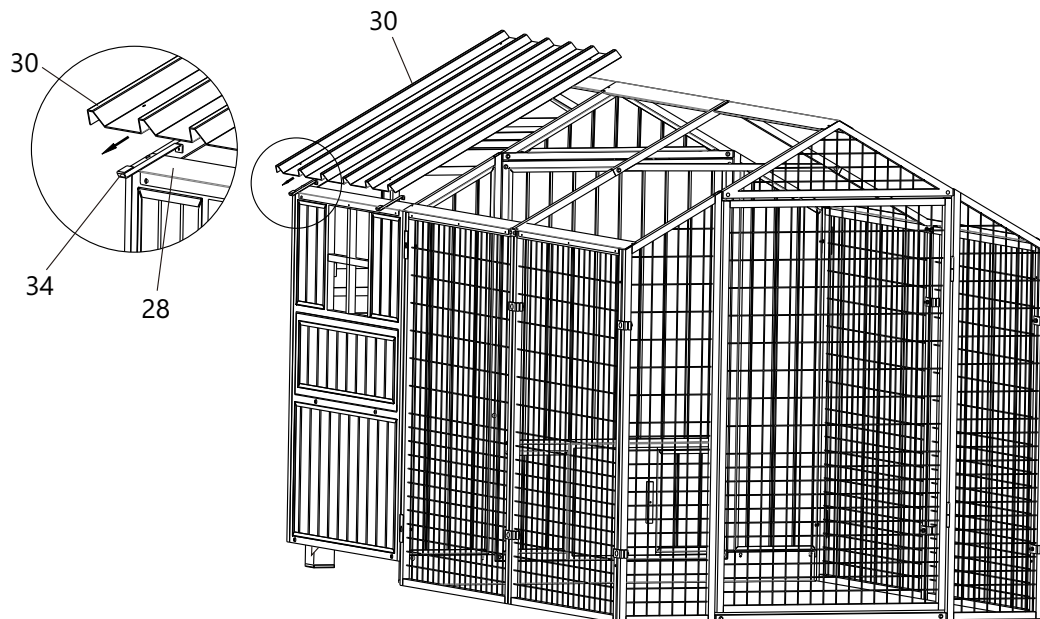
Step 18

- Fix the Shoulder Support Frame (#28) and Ridge Support Frame (#29) by Hexagonal Self-tapping Screw (#42).



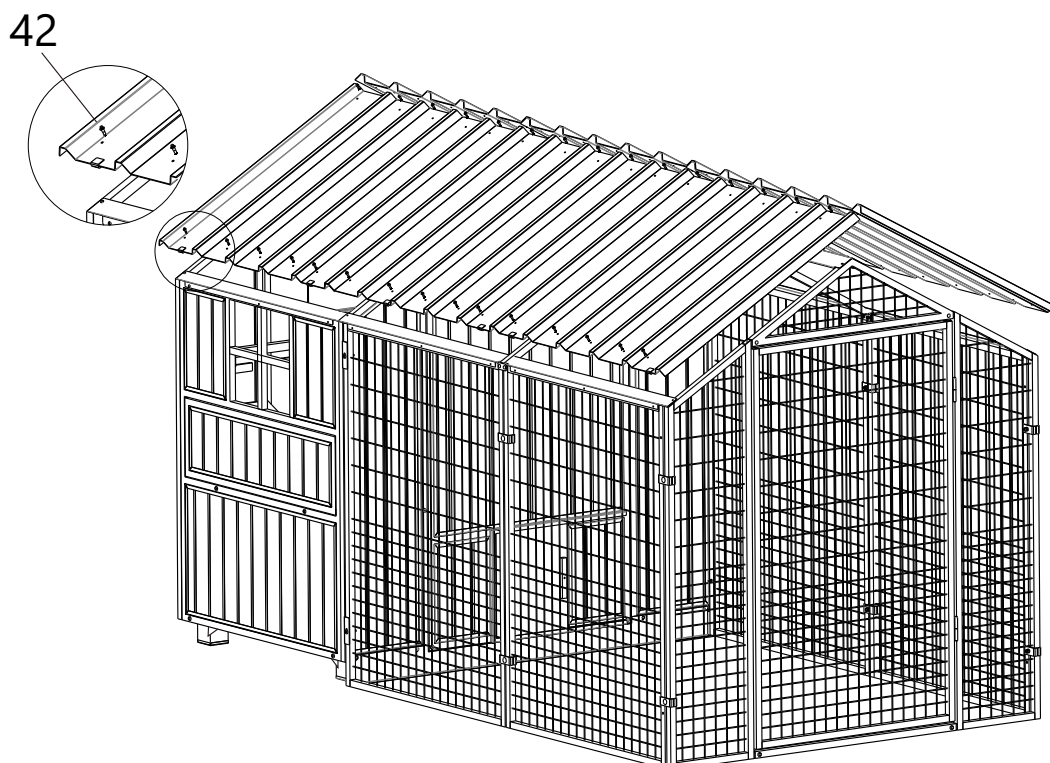
Step 19

- Hook 2pc of Roof Panel Hook (#34) from one side of the Shoulder Support Frame (#28) as below diagram, then put one pc of PVC panel on the Panel Hook (#34). Keep the roof panel held in place with the help of (#34). Do not screw down the roof panel .



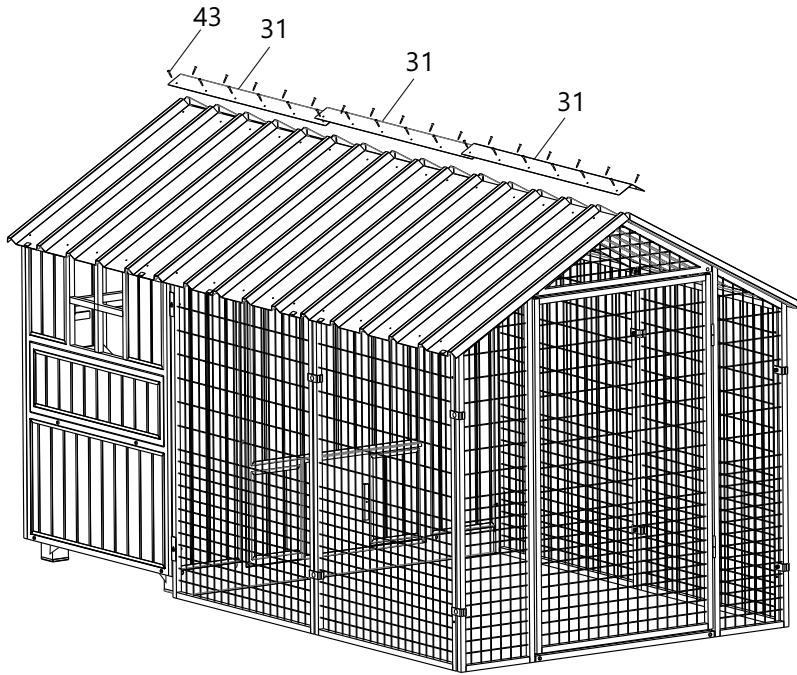
Step 20

- Repeat Step 19, put remaining panels on the roof frame, adjust to make sure they are properly aligned, then fix all the roof panel by Hexagonal Self-tapping Screw (#42).



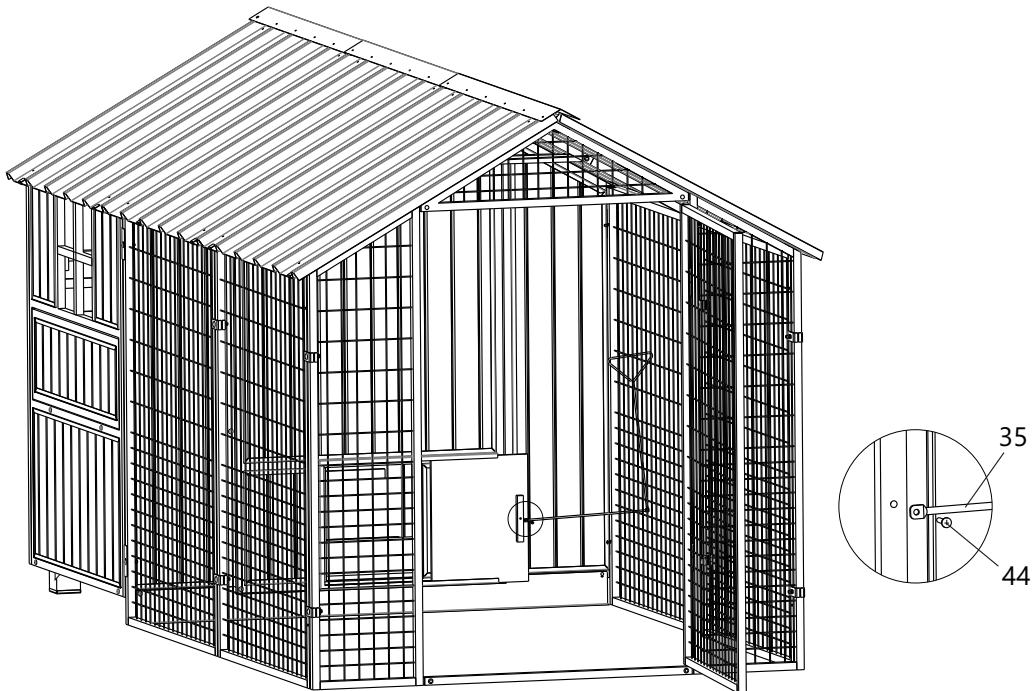
Step 21

- Fix the Roof Ridge Metal Cover (#31) by Self Tapping Screw (#43).



Step 22

- Attach the Sliding Door Helper (#35) by Bolt (#44).



Step 23

- Fix the Door Latch on the mesh door and wood door separately, by Screw (#41).

