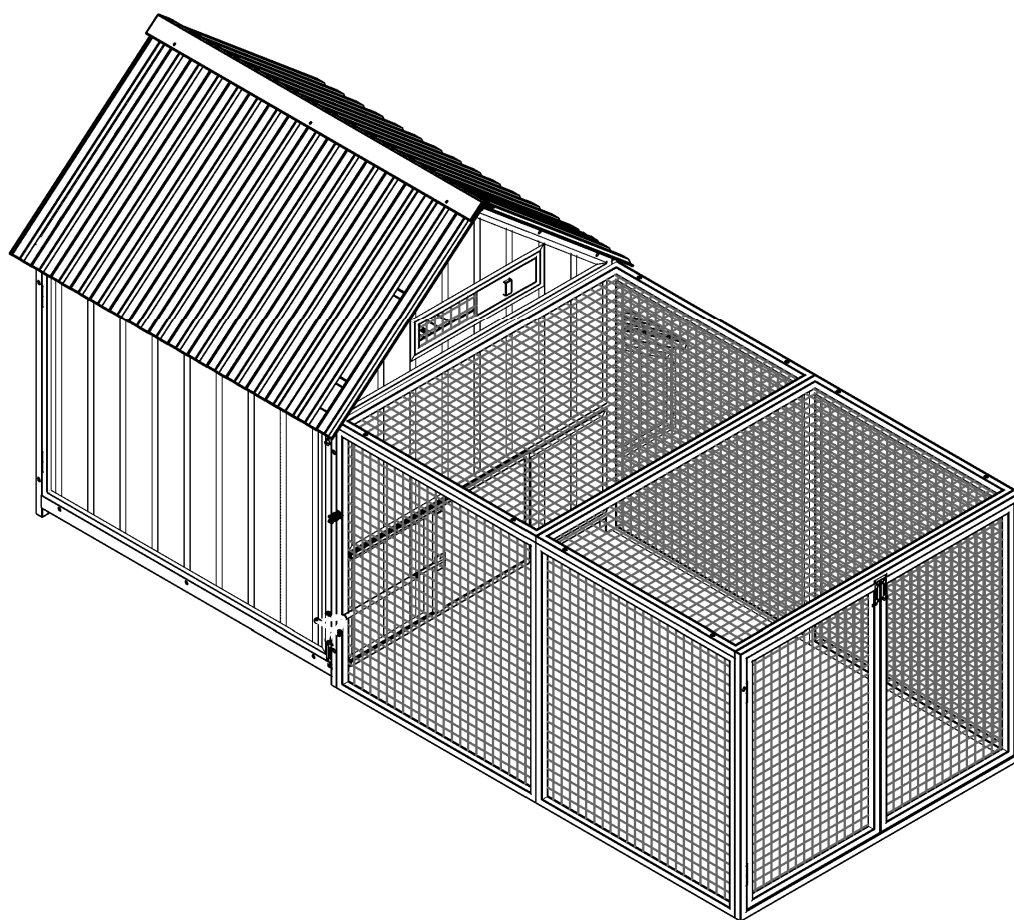


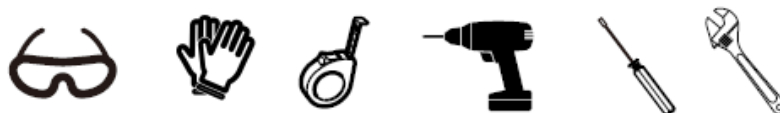
PP HILL COUNTRY COOP

SKU# 2432294/2448043/2448044

Assembly Instruction

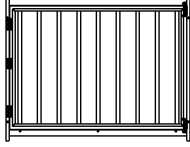
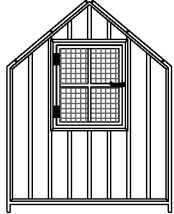
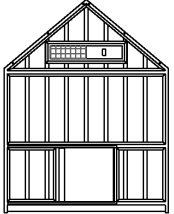
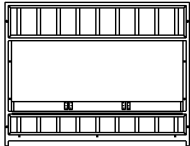


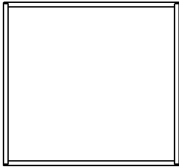

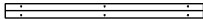
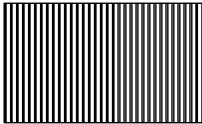




Tools required for assembly (not included)




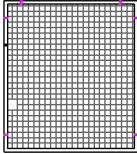
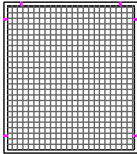
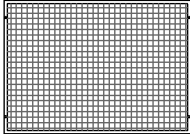
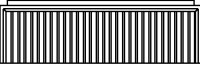
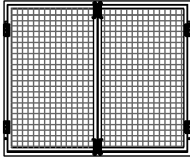
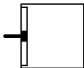


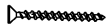
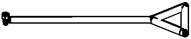

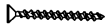
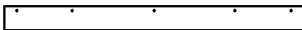


Distributed by: TRACTOR SUPPLY COMPANY
5401 VIRGINIA WAY, BRENTWOOD, TN 37027
For customer support, call: 1-888-376-9601
www.TractorSupply.com
MADE IN CHINA

PARTS LIST

Part#	Description	Drawing	Qty.
1	Coop Roosting Area Right Panel		1
2	Coop Roosting Area Back Panel		1
3	Coop Roosting Area Front Panel		1
4	Coop Roosting Area Left panel		1
5	Roosting Bar		2
6	Roosting Area Floor Tray Support Rod		3
7	Roosting Area Floor Tray		1
8	Roof Support Rod		6
9	Roof Cap		1
10	Roosting Area Roof		2
11	Nesting Area Right Panel		1
12	Nesting Area Left Panel		1

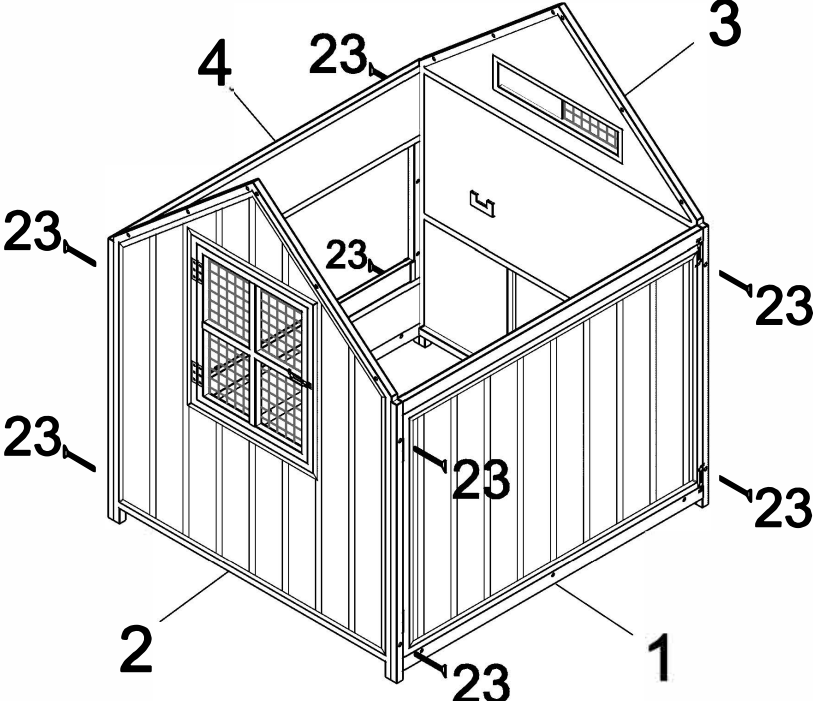
PARTS LIST

Part#	Description	Drawing	Qty.
13	Nesting Area Floor		1
14	Nesting Area Front Panel		1
15	Nesting Box Divider		2
16	Run side Panel (With handle hole)		1
17	Run Side Panel		3
18	Run Top Panel		2
19	Nesting Area Roof		1
20	Run Front Panel		1
21	Sliding Door		1
22	Bolt & Nut M6X50mm		16
23	Bolt M6X35mm		38
24	Self-Tapping Screw M4. 2X13mm		34
25	Roosting area Front Sliding Door Handle		1
26	Sliding Door Handle Buckle		1
27	Self-Tapping Screw M3. 0X14mm		2
28	Nesting Area Roof Rain Guard		1

ASSEMBLY

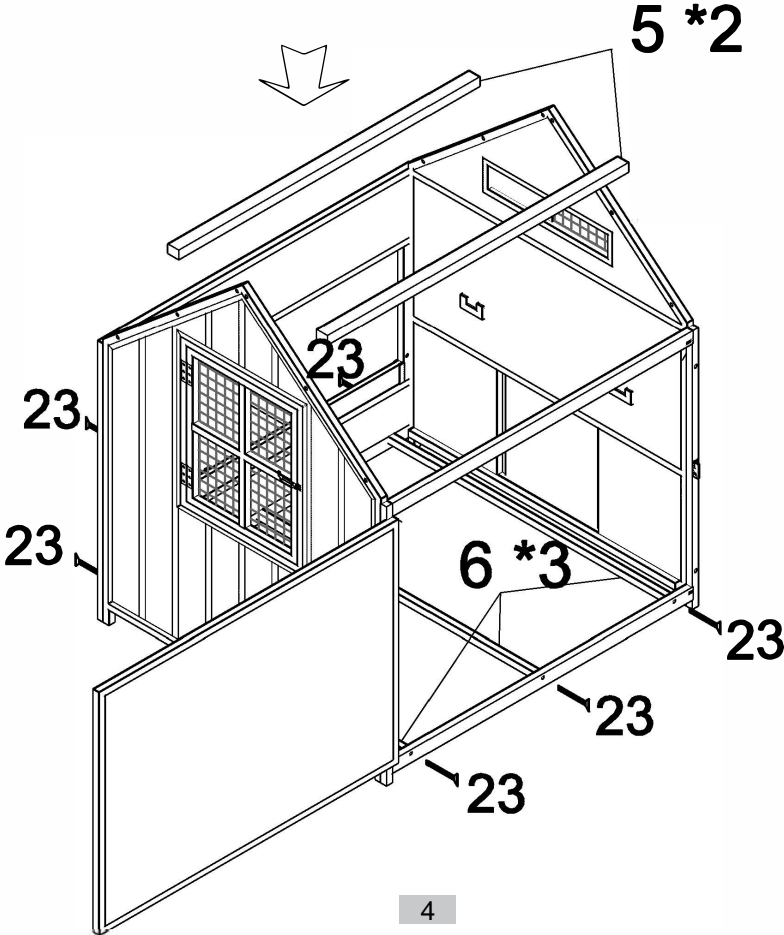
Step 1

- Connect Coop Roosting area front (#3), back (#2) panels and left (#4), right (#1) panels with Bolt M6X35mm (#23). Make sure the bottom of each panel is aligned properly.



Step 2

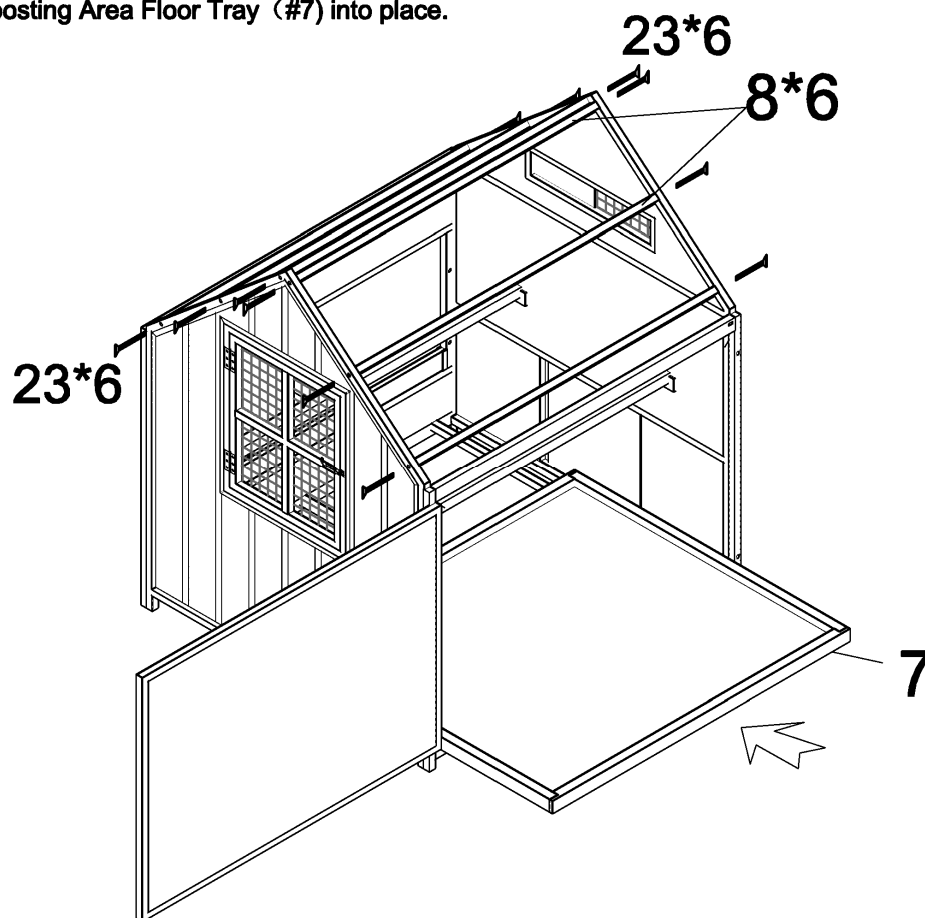
- Put the Roosting Bar (#5) onto the base.
- Fix the Roosting Area Floor Tray Support Rod (#6) with Bolt M6X35mm (#23).



ASSEMBLY

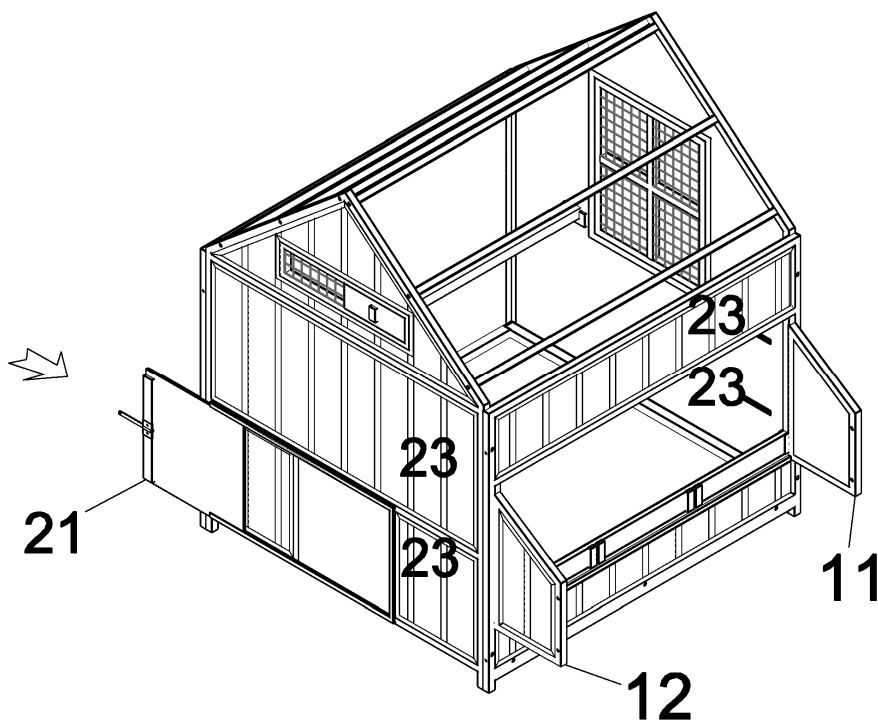
Step 3

- Fix the roof support rods(#8) into place with Bolt M6X35mm (#23).
- Put the Roosting Area Floor Tray (#7) into place.



Step 4

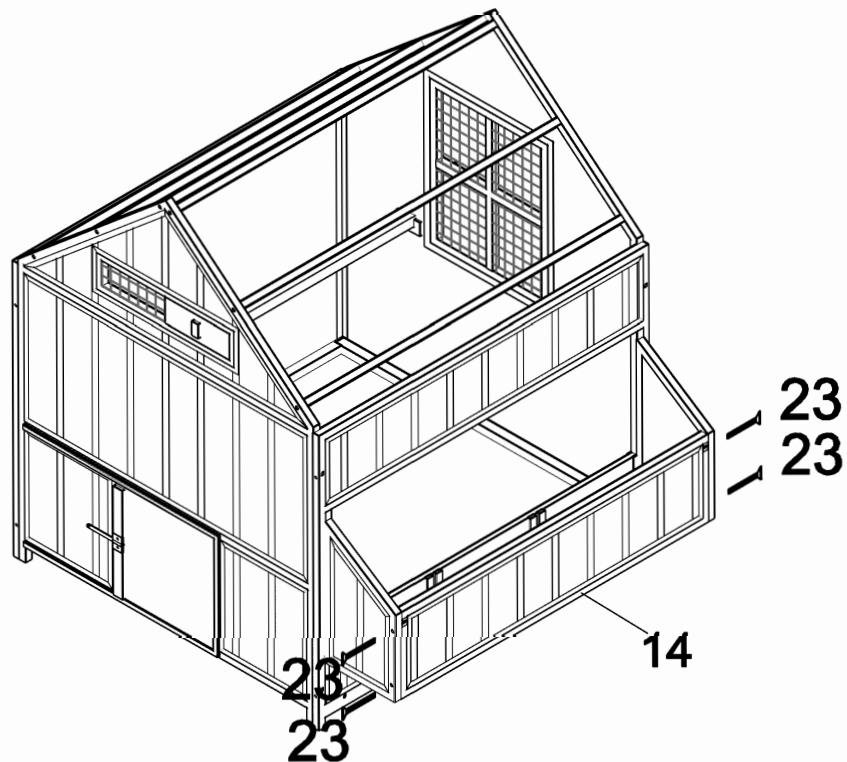
- Fix the Sliding Door (#21) into the Roosting Area Front panel.
- Fix Nesting Area Left Panel(#12) and Right panel (#11) into the Roosting Area Left panel with Bolt M6X35mm (#23)



ASSEMBLY

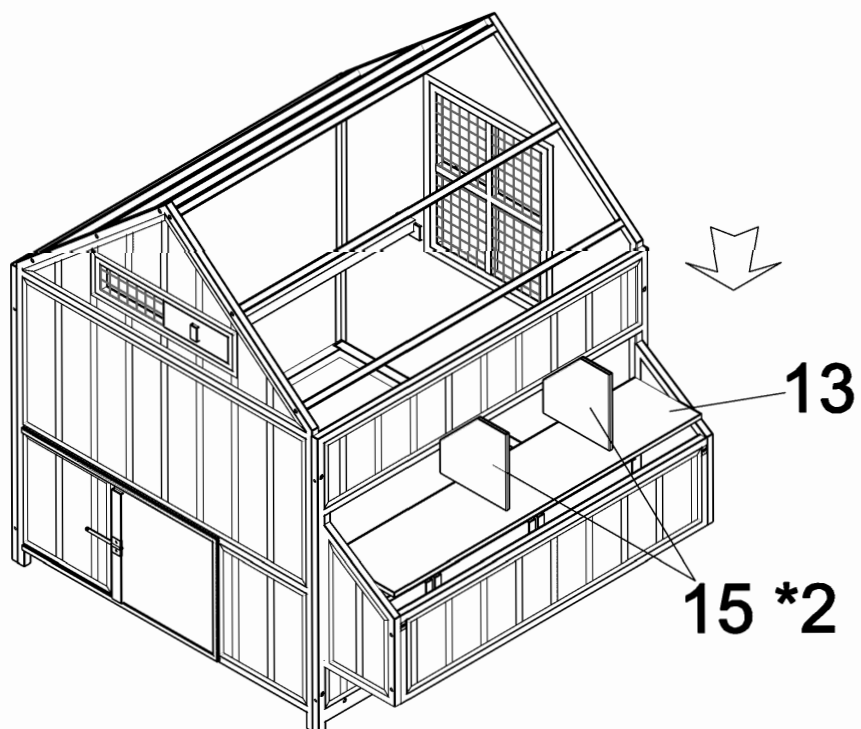
Step 5

- Connect the Nesting Area Front Panel (#14) onto the Nesting area left and right panels with Bolt M6X35mm (#23).



Step 6

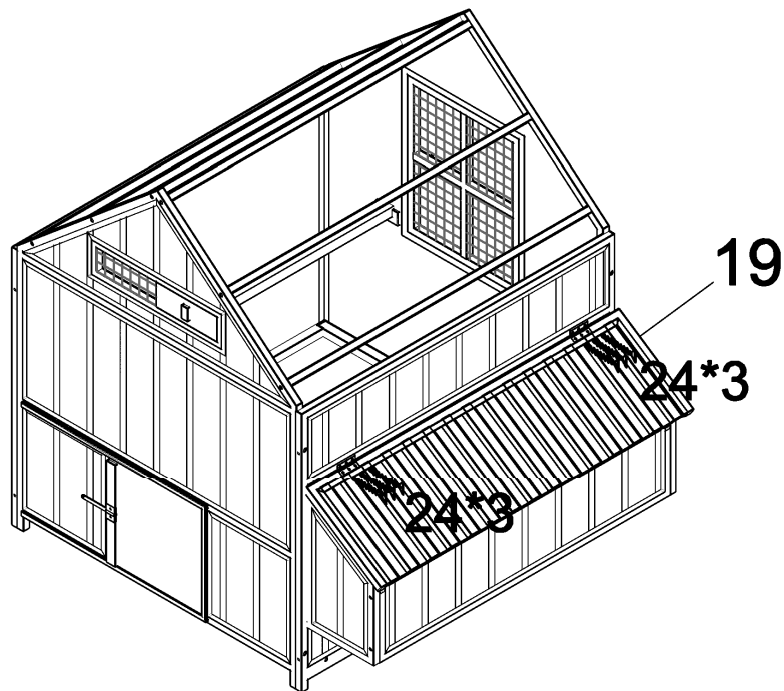
- Put the Nesting Area Floor (#13) into place.
- Put the Nesting Box Divider (#15) into place.



ASSEMBLY

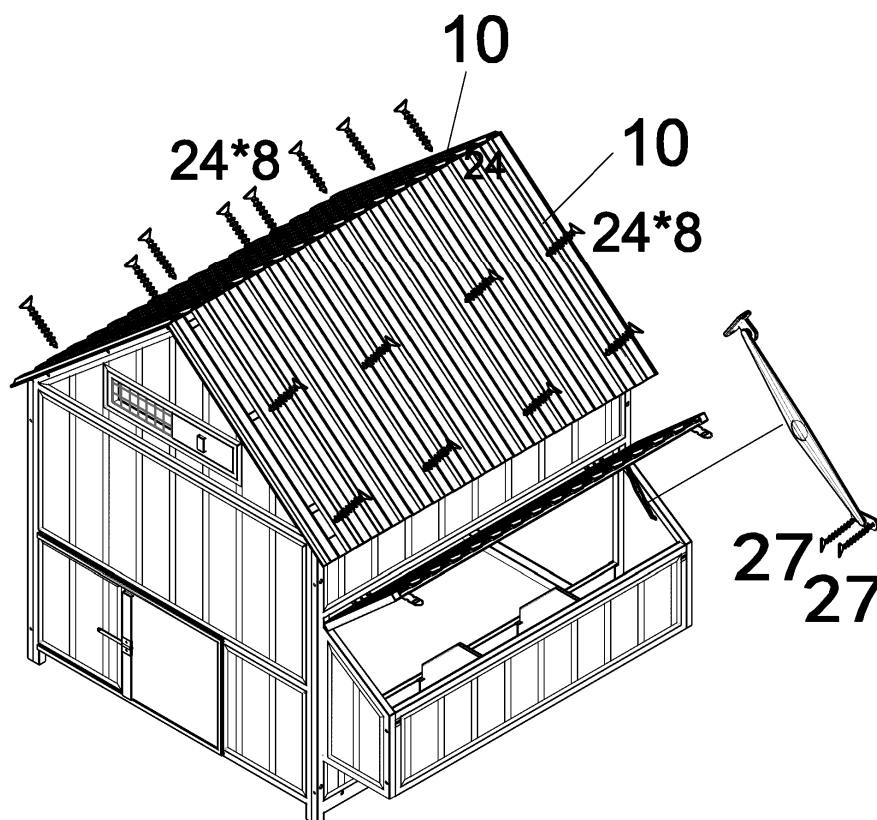
Step 7

- Fix the Nesting Area Roof (#19) onto the nesting box with Self-Tapping Screw M4.2X13mm (#24).



Step 8

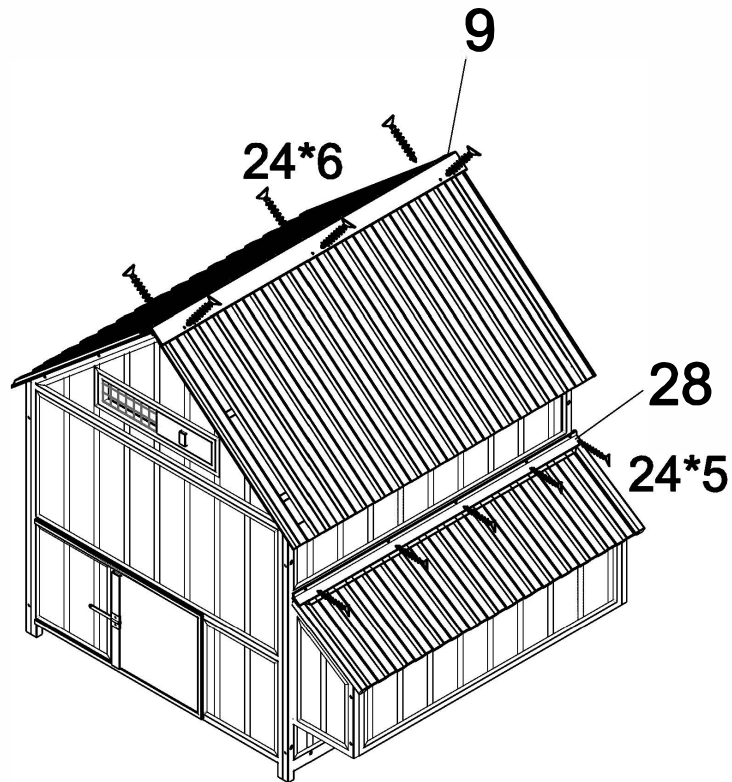
- Fix the Coop Roosting Area Roof (#10) with Self-Tapping Screw M4.2X13mm (#24).



ASSEMBLY

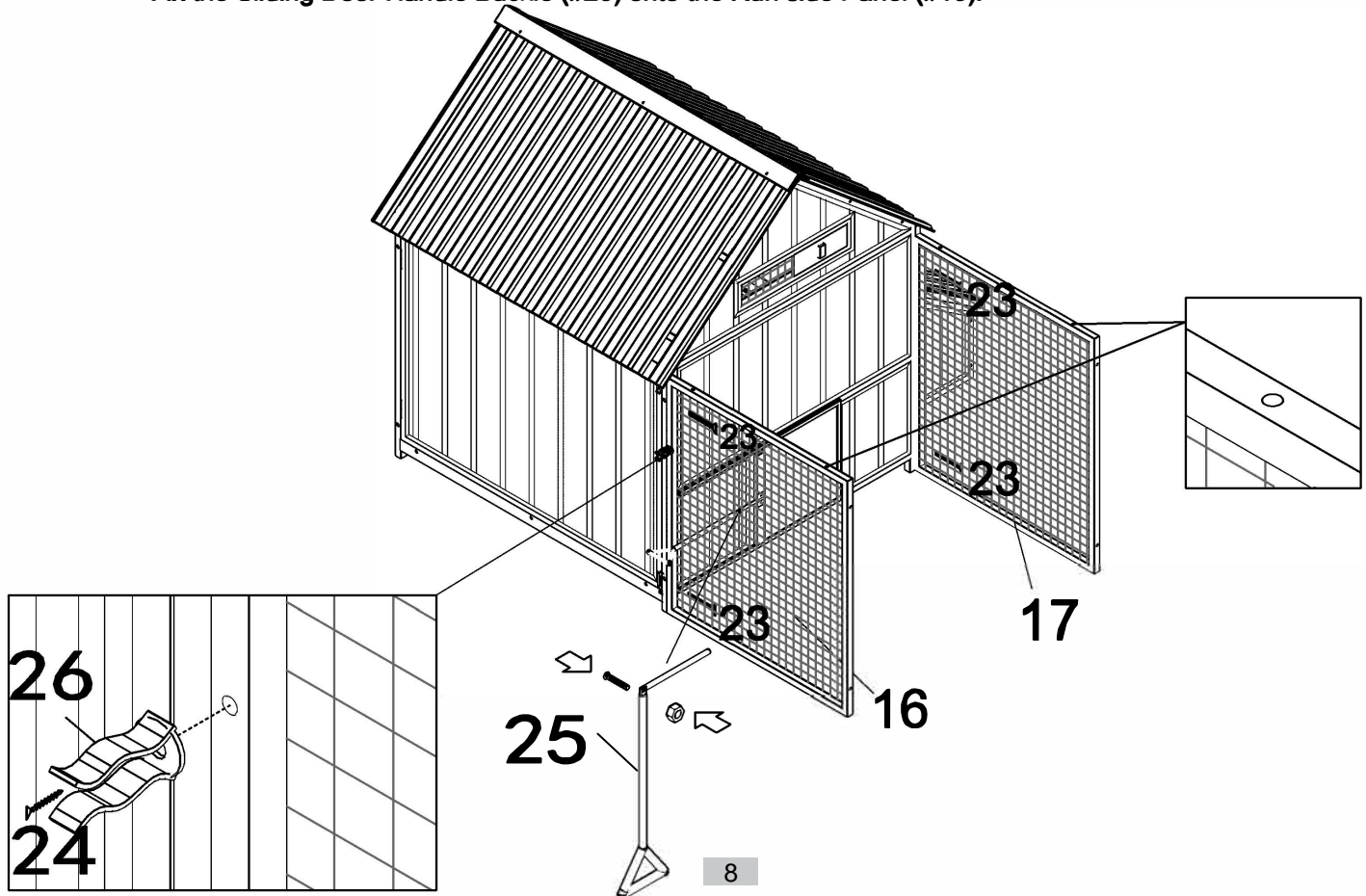
Step 9

- Fix the Roof Cap (#9) with Self-Tapping Screw M4.2X13mm (#24).
- Fix the Nesting Area Roof Rain Guard (#28) with Self-Tapping Screw M4.2X13mm (#24).



Step 10

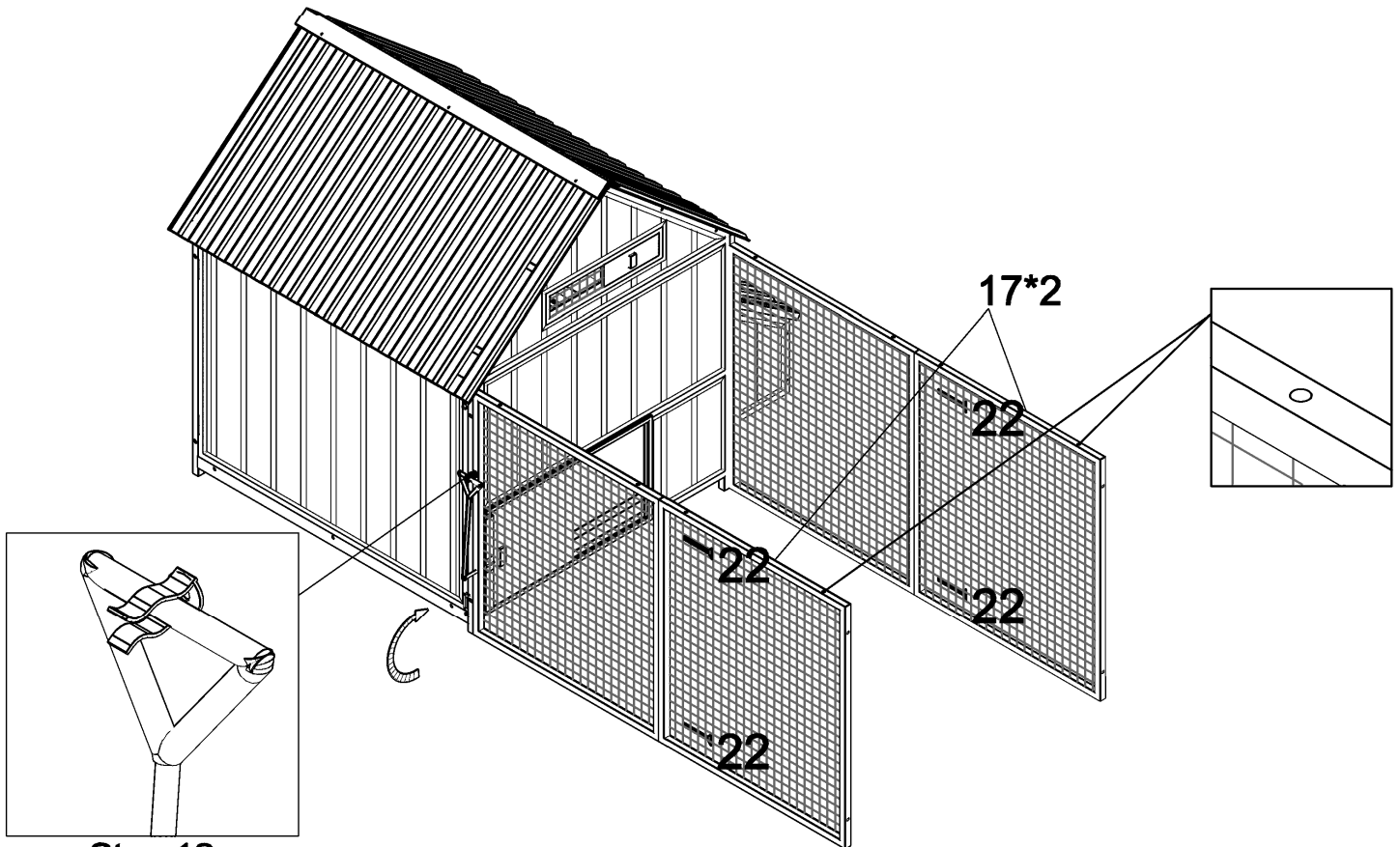
- Connect the Run side Panels (#16) and (#17) onto Coop Roosting area front panel with Bolt M6X35mm (#23).
- Fix the Roosting Area Front Sliding Door Handle (#25) onto the sliding door with Bolt&Nut.
- Fix the Sliding Door Handle Buckle (#26) onto the Run side Panel (#16).



ASSEMBLY

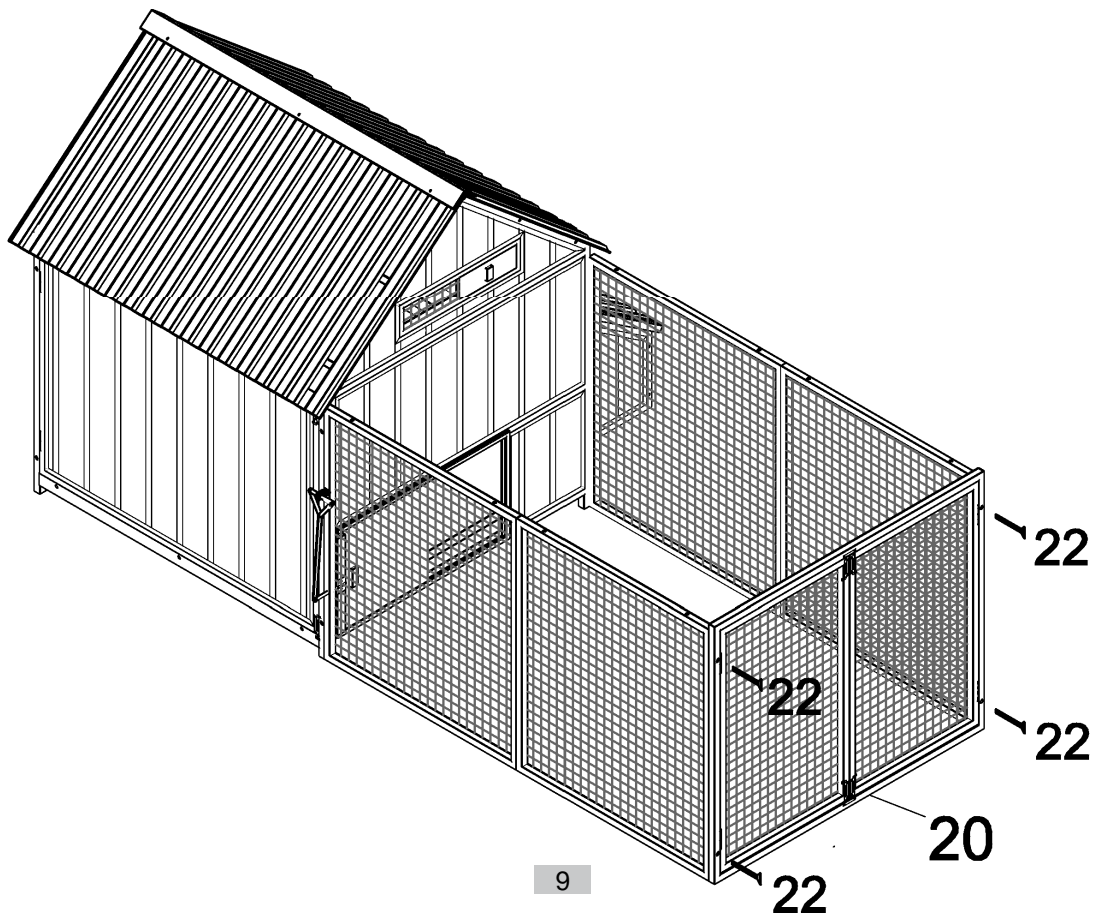
Step 11

- Connect the Run side Panels (#17) with Bolt&Nut M6X50mm (#22).



Step 12

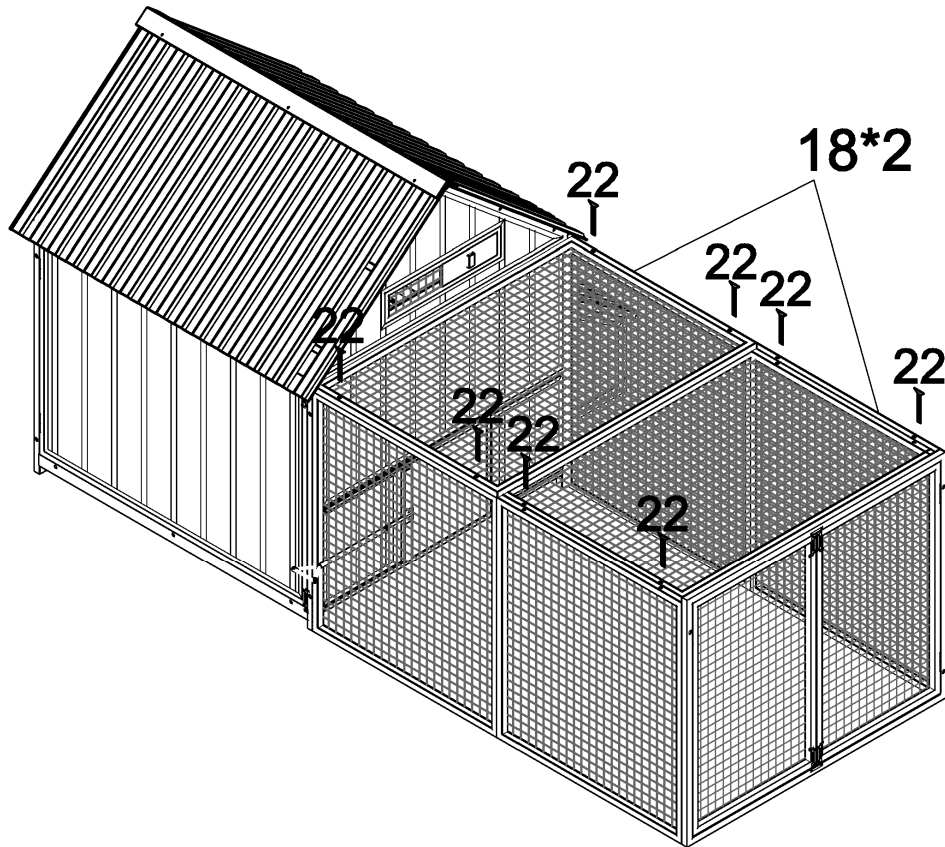
- Connect the Run Front Panel (#20) with Bolt&Nut M6X50mm (#22).



ASSEMBLY

Step 13

- Fix the Run top Panels (#18) with Bolt&Nut M6X50mm (#22).



- The Coop now is fully assembled and ready to use.