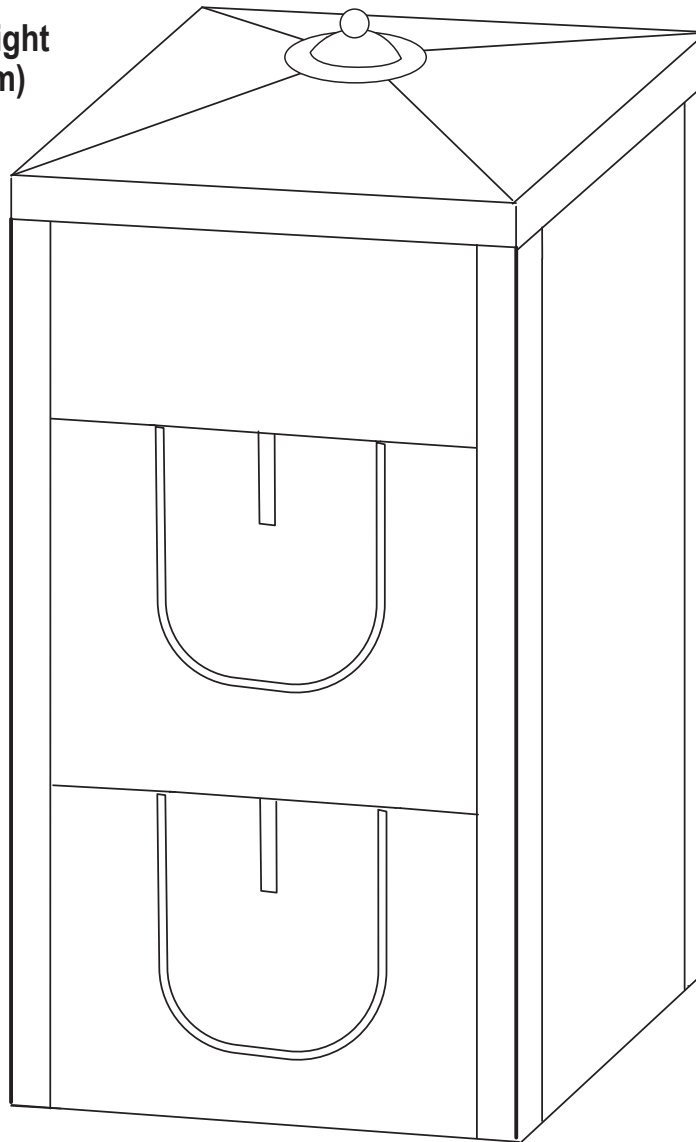


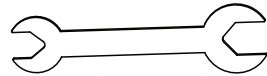
ware[®]
pet products

79" Height
(200 cm)



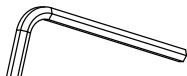
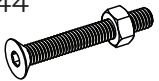
hardware

1- $\frac{3}{8}$ " Bolt
#902642
26 pcs



Bolt Wrench
#902643
1pc

1- $\frac{5}{8}$ " Bolt with nut
#902644
18 pcs



Small L-Wrench
#902647
1pc

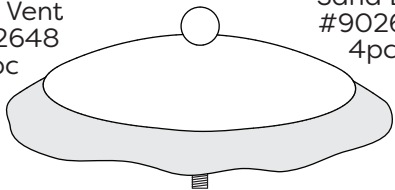


Large L-Wrench
#902646
1pc



Sand Bag
#902645
4pcs

Wind Vent
#902648
1pc



If you have any questions or concerns about this product contact our customer service department at 1-800-295-2243 Mon-Fri 8:00 - 4:00 MST or email us at hello@warepet.com

item #15060
overall dimensions
38.875" L X 38.875" W X 79" H
98.75 cm x 98.75 cm x 200.5 cm

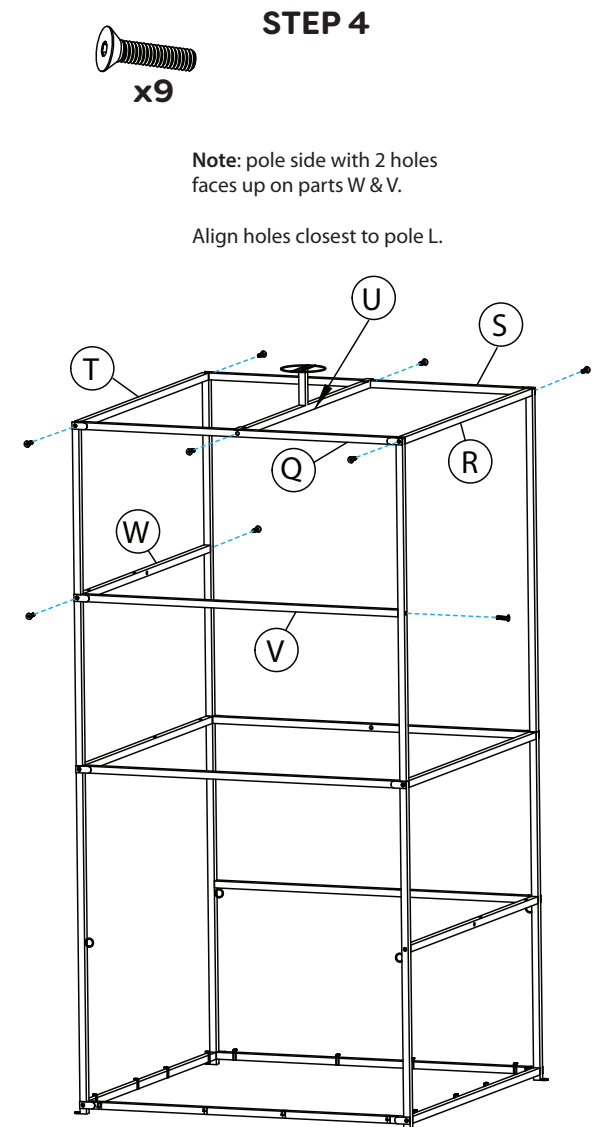
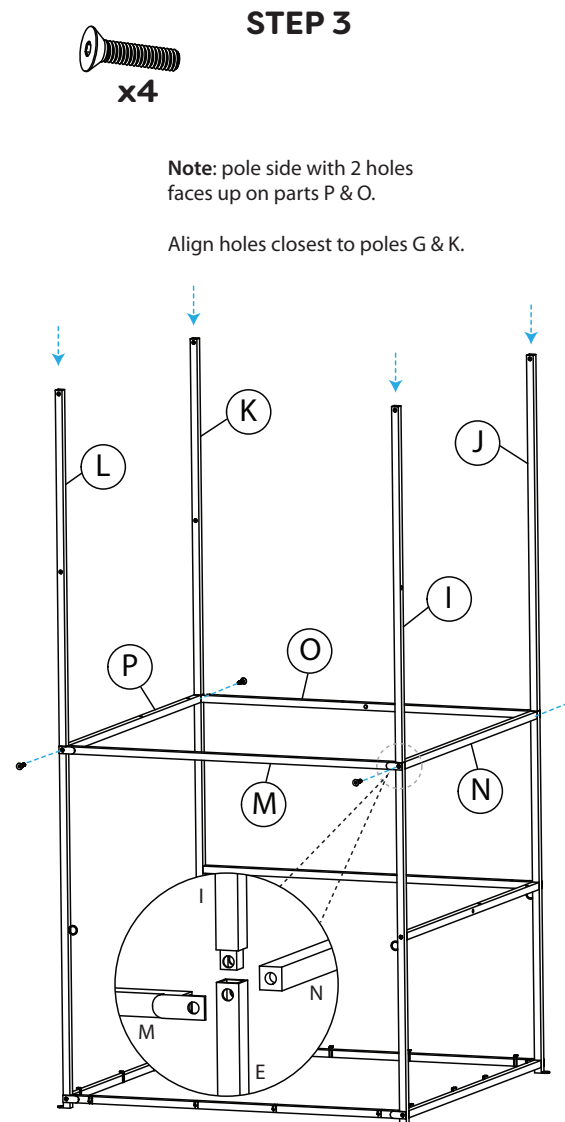
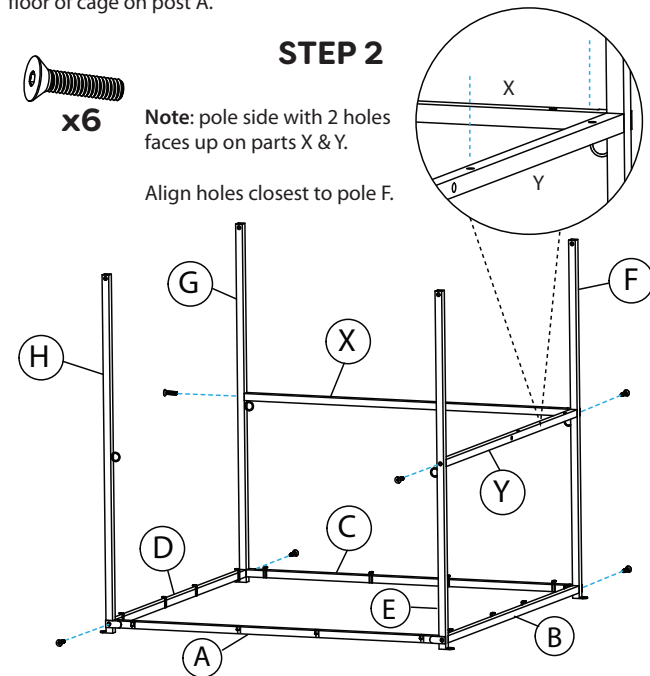
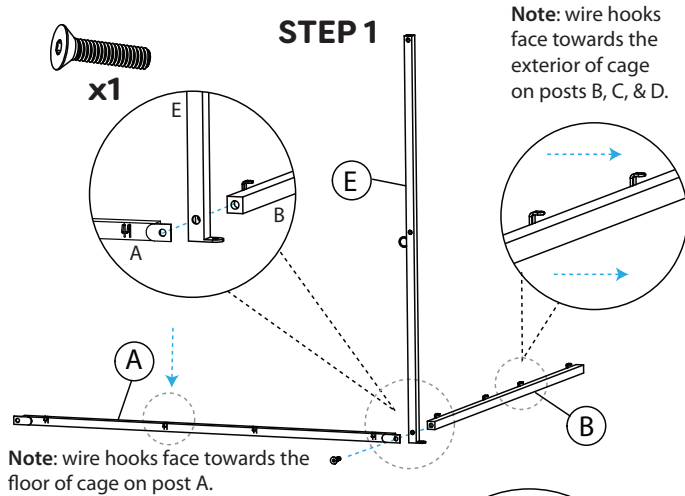
ready to assemble

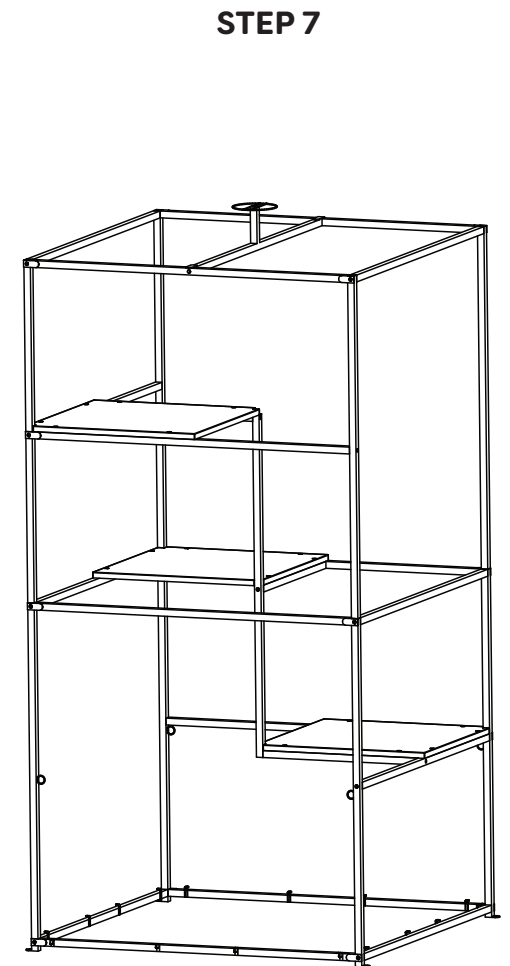
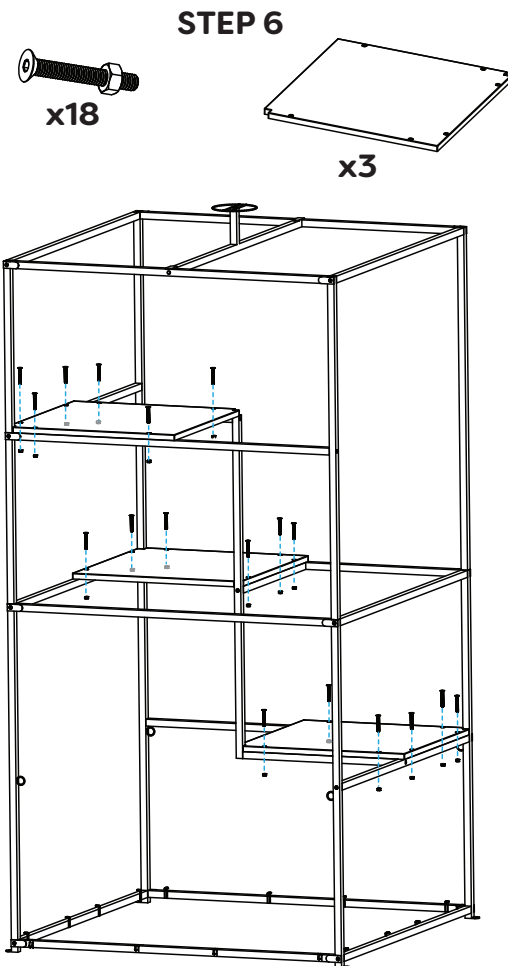
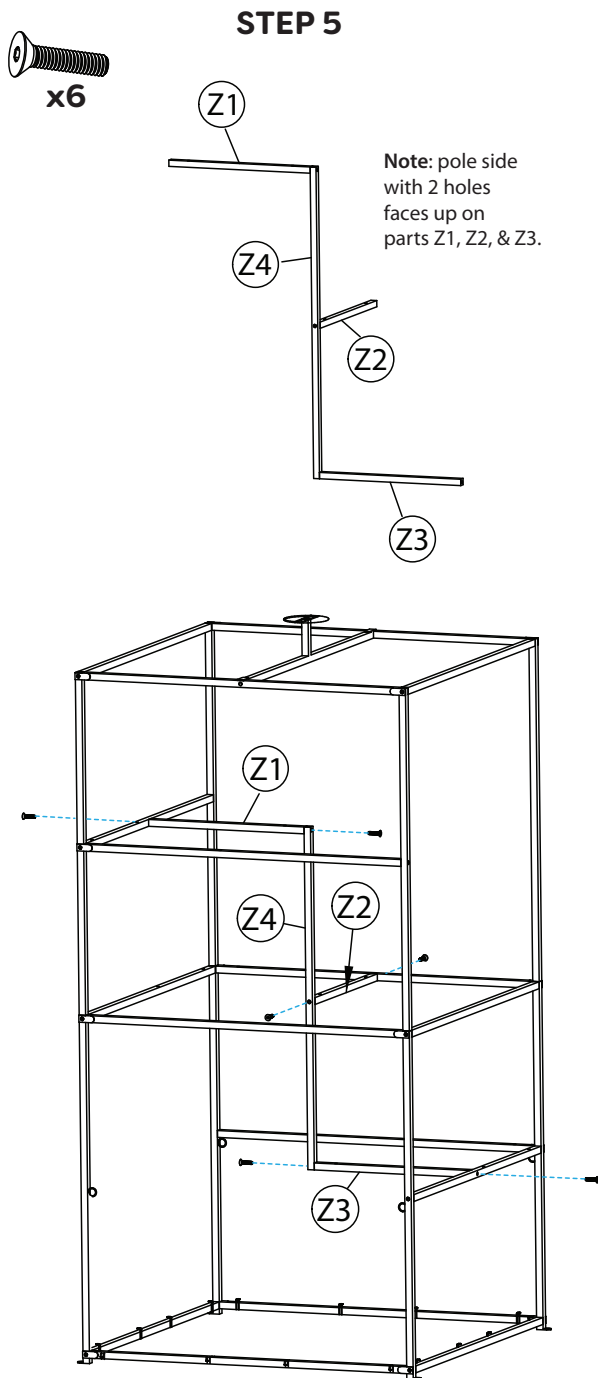
Cat patio
assembly instructions
warepet.com

Thank you for your purchase. Follow these detailed instructions to properly assemble your new Cat Patio.
To ensure assembly success, please read all care guides carefully prior to assembly and installation.

warnings & cautions

- Follow instructions in this manual to avoid personal injury to pet or property damage.
- Cat Patio should be placed on a flat level surface for stability.
- Keep small parts away from pets/children to avoid choking hazard.
- For stability, insert tent stakes/anchors through ports on parts E, F, G, & H. (**Tent stakes not included)
- This Cat Patio is for cat use only, it is not suitable for children.
- Keep all tools and instructions in a safe place for future reference.
- For additional stability, secure provided Sandbags to eye-rings on parts E, F, G, and H.
- Always supervise your pet when using this item.
- Inspect product regularly and re-tighten screws as needed.





Continued next page

parts list

Frame Bar A #902611
 Frame Bar B #902612
 Frame Bar C #902613
 Frame Bar D #902614
 Frame Bar E #902615
 Frame Bar F #902616
 Frame Bar G #902617
 Frame Bar H #902618
 Frame Bar I #902619
 Frame Bar J #902620

Frame Bar K #902621
 Frame Bar L #902622
 Frame Bar M #902623
 Frame Bar N #902624
 Frame Bar O #902625
 Frame Bar P #902626
 Frame Bar Q #902627
 Frame Bar R #902628
 Frame Bar S #902629
 Frame Bar T #902630

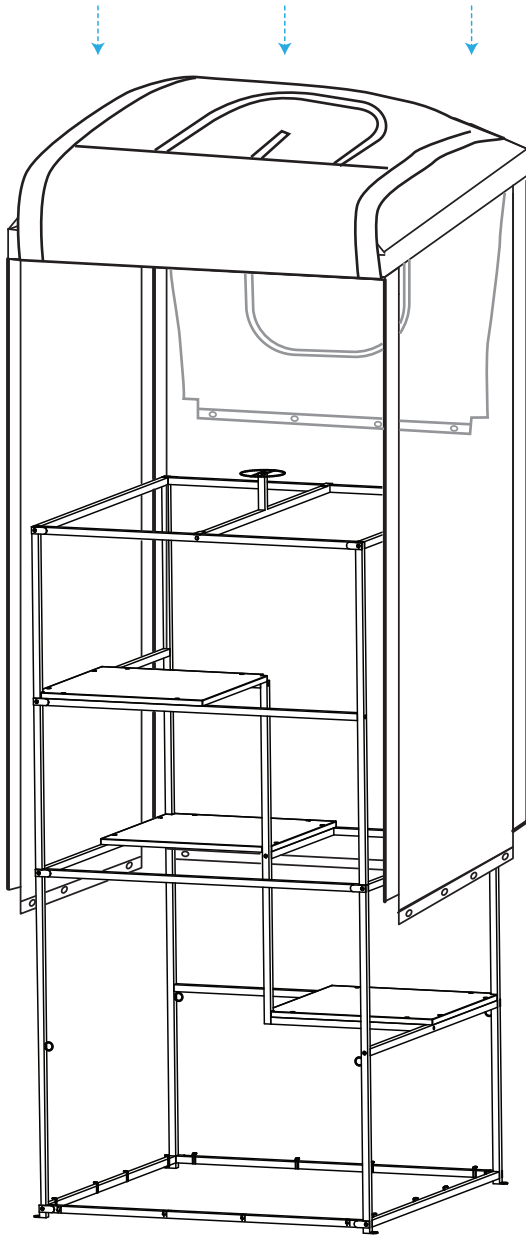
Frame Bar U #902631
 Frame Bar V #902632
 Frame Bar W #902633
 Frame Bar X #902634
 Frame Bar Y #902635
 Frame Bar Z1 #902636
 Frame Bar Z2 #902637
 Frame Bar Z3 #902638
 Frame Bar Z4 #902639
 Cat Patio Cover #902640
 Shelf (x3) #902641

cleaning & care Spot clean only with gentle liquid detergent mixed with warm water.

Due to ongoing product improvements, product photo on packaging may not match finished product.

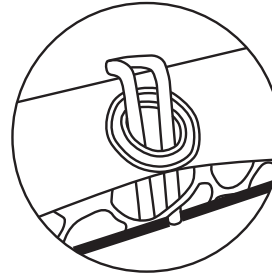
UPDATED: 02-13-20

STEP 8

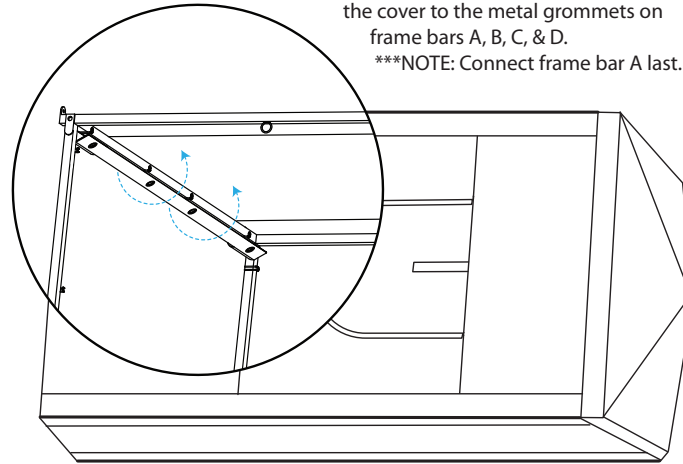


STEP 9

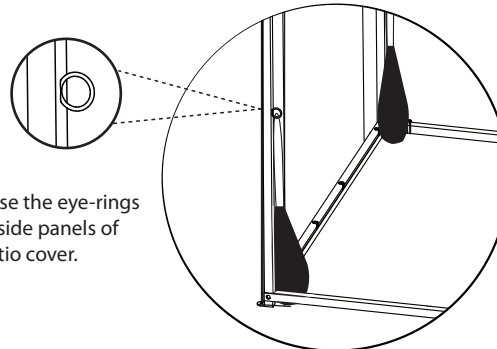
Note: Connect the cover to the metal frame by hooking the metal grommets over the hooks on the frame base sections A, B, C, & D.



Carefully tip the Cat Patio on its side to secure the cover to the metal grommets on frame bars A, B, C, & D.
***NOTE: Connect frame bar A last.



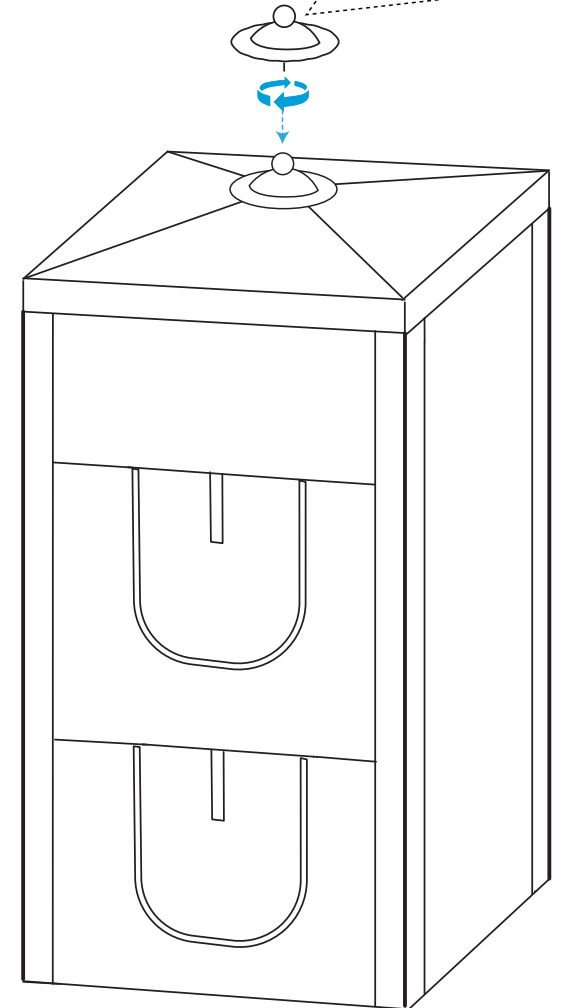
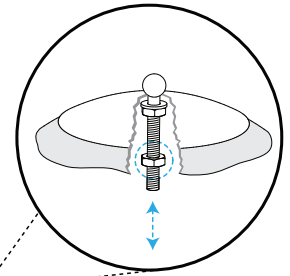
Optional Step: To stabilize the Cat Patio fill the four sand bags with sand and attach to the eye-rings on parts E, F, G, & H.



** To expose the eye-rings unzip the side panels of the Cat Patio cover.

STEP 10

Note: In areas with wind gusts, the wind vent can be adjusted to increase air circulation by moving the position of the lower nut as indicated.



warepet.com

If you have any questions or concerns about this product contact our customer service department at 1-800-295-2243 Mon-Fri 8:00 - 4:00 MST or email us at hello@warepet.com

Due to ongoing product improvements, product photo on packaging may not match finished product.