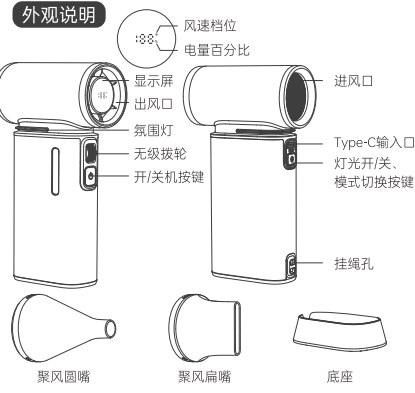


手持风扇 Handheld Fan Ultra 说明书

使用前请仔细阅读本说明书，严格按照说明书要求正确使用，并妥善保存说明书以备后用。



使用前注意事项

- 1. 请检查产品、电源线是否有损伤... 2. 给产品充电前请检查所使用电源电压是否和产品标签一致...

使用方法

A. 开关机/风速切换/灯光切换

开/关机按键 长按：开关机循环切换... 快速双击：显示当前电量百分比... 无极拨轮 开机状态下，上坡加大风速...

B. 配件使用



C. 显示屏状态说明

Table with 2 columns: Operation/Status, Content of Digital Screen Display. Includes rows for Power On, Power Shortage, Charging, Fully Charged, Low Battery, and Adjust the Wind Speed.

D. 输入安全保护

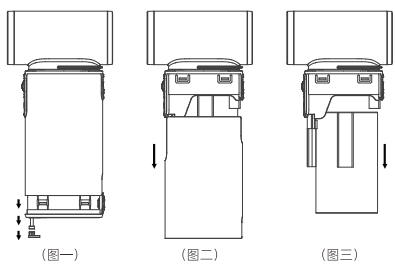
关机状态：连续充电12h后自动断开输入； 开机状态：连续充电10h后自动关机...

E. 产品清洁

- 1. 对产品进行清洁前，请确保电源已被切断。 2. 产品底座无法拆除，清洁时可用干净的抹布和毛刷擦拭扇罩表面...

取出电池

在废弃产品前，必须将电池从产品中取出；取出电池前，产品必须关闭电源...



安全注意事项

为了保证使用安全，避免对您和他人造成伤害和财产损失，请遵守以下安全注意事项...

品使用寿命，请及时充电及充满电后断开电源，长时间（大于3个月）不使用请充满电。

产品中有毒物质的名称及含量

Table showing hazardous substances and their content levels for various components like plastic, metal, and PCB.

本表格依据SJ/T11364的规定编制。 O：表示该有害物质在该部件所有均质材料中的含量均在GB/T 26572规定的限量要求以下。

本标识内的数字表示产品在正常使用状态下的环保使用期限为10年。

三包凭证

- 1. 请妥善保管保修卡，以作维修时的凭证。 2. 保修期为产品购买之日起一年内。

以下情况恕不提供免费维修

- 1. 设备或部件已经超出了有效的保修期； 2. 客户未按照说明书的要求，错误的安装、保管以及使用而造成的设备故障或损坏；

产品参数

品 牌：几素 产品型号：Handheld Fan Ultra1 产品名称：手持风扇 额定电压、电流：5.0V=2.0A / 9.0V=2.0A / 12.0V=1.5A

包装配件

- 手持风扇 * 1 聚风喷嘴 * 1 底座 * 1 USB-C to USB-C 充电线 * 1

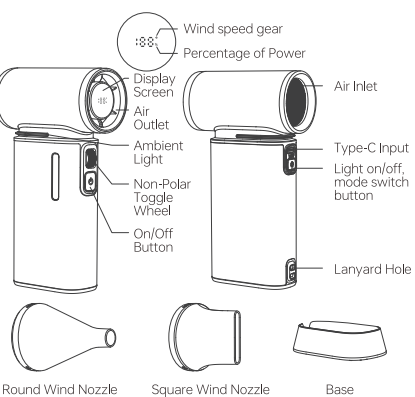
本说明书的内容及产品的规格技术说明如有变更，恕不另行通知

产品保修卡

产品名称 联系电话 产品型号 购买地点 用户姓名 经销商名称 购买时间

制造商：深圳市几素科技有限公司 地址：深圳市龙岗区园山街道荷坳社区长江埔二路8号A栋301 网址：www.jisulife.com 服务电话：400-011-8812

Appearance Description



Precautions Before Use

- 1. Please check the product and power cord for any damage and make sure they are in good condition and assemble them according to the instructions before powering them on.

avoid electric shock and fire accidents, and ask the service station designated by the original seller or manufacturer for repair.

How to Use

A. Switch Machine/wind Speed Switch/light Switch

On/Off button Long press: on/off cycle switching... Non-polar toggle wheel In the boot state, the wind speed is increased by dialing up...

Light on/off, mode switch button Short press: switch the light mode, continuous light mode, breathing light and dark mode...

Warm Reminder: For safer use of the product, the maximum gear for fan speed adjustment is 10 when used in the charging state.

B. Accessory Use



C. Status Description of the Display Screen

Table with 2 columns: Operation/Status, Content of Digital Screen Display. Includes rows for Power On, Adjust the Wind Speed, and Fully Charged.

D. Input Security

Power off state: automatically disconnect the input after 12 hours of continuous charging; Power-on status: It will automatically shut down after 10 hours of continuous charging...

E. Product Cleaning

- 1. Before cleaning the product, please make sure the power is disconnected. 2. The product mask cannot be removed...

Table with 2 columns: Operation/Status, Content of Digital Screen Display. Includes rows for Power Display, Power Shortage, Low Battery, Charging, Fully Charged.

D. Input Security

Power off state: automatically disconnect the input after 12 hours of continuous charging; Power-on status: It will automatically shut down after 10 hours of continuous charging...

E. Product Cleaning

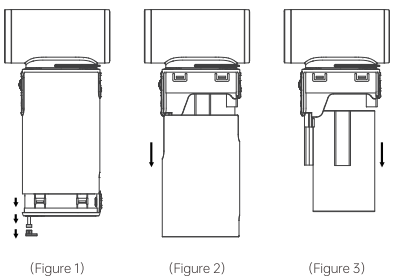
- 1. Before cleaning the product, please make sure the power is disconnected. 2. The product mask cannot be removed...

4. Prohibit touching the power supply and electrical parts with wet hands or rags.

Take Out the Battery

Before disposing of the product, the battery must be removed from the product. Before removing the battery, the product must be powered off.

- 1. Use a tool to pry open the screw cover at the bottom of the handle and unscrew out the inner screw (Figure 1); 2. Remove the handle (Figure 2);



Safety Precautions

To ensure the safety of use and to avoid injury and property damage to you and others, please observe the following safety precautions.

- 01. This product is not a child's toy, please ensure that infants and children do not play with this product as a toy. 02. This product is not intended for use by users including children with inadequate physiology...

- greenhouses, construction sites, fireplaces, exposed car rooms and other environments, which will cause plastic deformation, flame with the wind to cause fire, battery explosion and other failures and accidents. 09. Do not squeeze, disassemble the battery or place the battery in a high-temperature environment (60°C and above) for a long time...

Product Parameters

Brand: JisuLife Product Model: Handheld Fan Ultra1 Product Name: Handheld Fan Ultra1 Rated Voltage: Current: 5.0V=2.0A / 9.0V=2.0A / 12.0V=1.5A

Product Weight: about 315g (Bare Metal) Charging Time: 2-3h(18W fast charging input) / 5-6h(5.0V=2.0A input) Operating Time: 1-6h (For safer use, the 71-100 gear will be automatically reduced to 70 gear after 10 minutes of use...)

Packing Accessories

- Handheld Fan Ultra1 * 1 Round Wind Nozzle * 1 Square Wind Nozzle * 1 Base * 1 USB-C to USB-C Cable * 1

The contents in this user manual and the technical specification of the product will be changed without prior notice.

Manufacturer: Shenzhen Jisu Technology Co., Ltd Address: 301, Building A, No. 8, Changjiangpu 2 Road, He'ao Community, Yueshan Street, Longgang District, Shenzhen Tel: 400-011-8812 Web: www.jisulife.com

全球USB小风扇专家与领导者* The World's No.1 Portable Fan Brand*

*注：据2021年全球销售统计，数据来源于欧睿信息咨询（上海）有限公司，据各大品牌于2021年期间全球范围内全球品牌的产品“销售数据”，不含自主品牌授权模式销售的品牌。USB小风扇品牌的产品“销售数据”全球品牌总销量：1256万台，其中自主品牌销量占比约50%。全球品牌授权模式销售的品牌“销售数据”全球品牌总销量：1256万台，其中自主品牌销量占比约50%。于2022年9-10月期间完成调研。