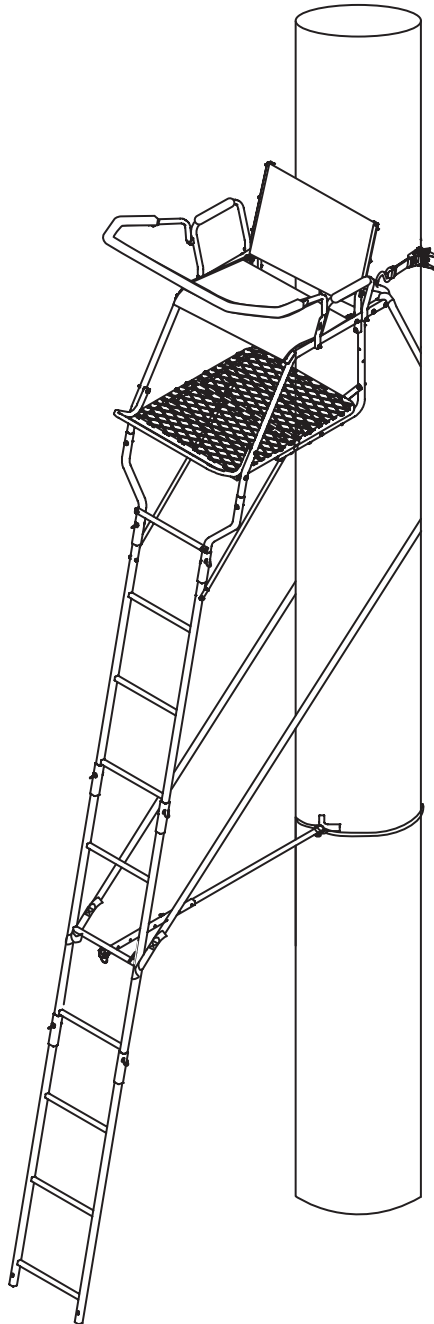


**WE ARE HUNTERS**



Operator's Manual

**JUMBO JACK**<sup>™</sup>  
Ladder Stand

MODEL RE628

**Maximum Height**  
17'2" to shooting rail

**Maximum Field Rating**  
300 lbs

**Tree Diameter Range**  
12" to 20"

**Wear Your Harness!**



Watch video before using.



standsafety.com/r3  
**LADDER STAND SAFETY**



PRODUCT MEETS  
INDUSTRY STANDARDS  
RECOGNIZED BY



PARTICIPATING MEMBER

Get parts online at  
[www.HuntRiversEdge.com](http://www.HuntRiversEdge.com)

© 2018 RETI P/N: OMRELD001  
All Rights Reserved REV6: 01/15/19

## INTRODUCTION

Rivers Edge® Treestands are engineered with you the hunter in mind. We appreciate your purchase of one of our world class treestands. Follow these few simple instructions and your stand will provide you many years of trouble-free pleasure. Instructions should be kept in a safe place and reviewed at least annually.

If for any reason you have a problem with your product, **DO NOT return to the retailer**, contact the Rivers Edge® customer service department at 800-450-EDGE (3343) for assistance.

## CONTENTS

Introduction/Warranty .....	2
Warnings.....	3-4
Inspection and Maintenance .....	4
Hardware Identification Chart.....	5
Assembly Instructions .....	7-15
Warnings.....	16
Setup and Use Instructions.....	17-18
Finished Ladder.....	19
Illustrated Parts Breakdown.....	20-21

## WARRANTY

RETI offers a **one year warranty** for all components of the treestand. These warranties apply to the original owner with a proof of purchase. These warranties begin on the date of purchase by the first retail consumer and continue for the period specified above. These warranties apply to products that are not modified, abused or used in a manner that deviates from the product's intended usage. Minor fading in color is normal and is not covered by warranty. Any corrosion of painted surfaces that occurs as a result of paint being removed or damaged is also not covered by warranty. RETI offers no other warranty expressed or implied. Products for which warranty work has been approved must be sent directly to RETI and performed by RETI. **To obtain warranty service and/or replacement instructions, you must obtain prior approval from RETI before shipping your package to us by calling our customer service department at 800-450-3343 or by writing to: RETI, P.O. Box 755, 1160 Eighth Avenue, Cumberland, WI 54829 for a return material authorization number (RMA#).** All items must be shipped prepaid. RETI will, at no charge, repair or replace, in RETI's sole discretion, any product that satisfies the conditions stated above. RETI retains the right to change models, specifications and price without notice.

This equipment has been manufactured under strict quality and safety guidelines. As with any equipment of this type, full understanding of the instructions and its use is mandatory and imperative for the safety of its user. RETI is not responsible for any damages or injuries sustained due to improper use or modification of any of its products, or resulting from any use which deviates from the product's intended usage. RETI is not responsible for any injuries sustained due to failure to read and adhere to the instructions for use. Any misunderstanding or questions regarding the products of their use should be directed to RETI prior to any use. **All RETI treestands are sold with a full body harness ("Fall Arrest System") that meets standards recognized by the Treestand Manufacturer's Association ("TMA").** It is the owner's sole responsibility to inspect the product regularly for damage, improper installation, or conditions that could jeopardize the ultimate safety of the product. Failure to use or improper use of the provided Fall Arrest System may result in serious injury or death. **ALWAYS wear the provided Fall Arrest System while using this product. Owner is responsible to understand and follow product field weight rating and must never exceed maximum weight rating.** RETI is not responsible for any malfunction or injury resulting from normal wear and tear, damage caused by improper use, improper maintenance, negligence or accidents. This product, if used safely as intended, will provide trouble free service for the useful life of the product. We hope you will enjoy the quality of our products for years to come, and have a safe hunt.

**STOP**

**READ AND UNDERSTAND THE FOLLOWING WARNINGS BEFORE ASSEMBLY**

**MODEL RE628**

**MAXIMUM USE HEIGHT - 17' 2" TO SHOOTING RAIL**

**MAXIMUM OCCUPANCY - ONE (1)**

**TOTAL WEIGHT LIMIT - 300 LB**

**TREE DIAMETER RANGE - 12" TO 20"**

**WARNING**

- ▲ This product carries strict height and weight restrictions. **Do Not** use this product if you exceed the total weight limit. Please note that the total weight limit includes the user(s) and their equipment.

**WARNING**

- ▲ **When hunting from a treestand falls can occur any time after leaving the ground causing injury or death.**
- ▲ **Always** wear a Fall Arrest System (FAS) comprising a full body harness at all times after leaving the ground. You must stay connected at all times after leaving the ground while using climbing and hang-on treestands. Single safety belts and chest harnesses are no longer allowed and shall never be used. If you are not wearing a full body harness properly attached to the tree that is protecting you from a fall, do not leave the ground.
- ▲ **Read and understand** all of the manufacturer's Warnings and Instructions and use all safety devices provided by the manufacturer. Contact the manufacturer for any questions. Failure to do so could result in injury or death.
- ▲ **Never** exceed the total weight limit of the treestand.
- ▲ **Never** use a treestand during inclement weather such as rain, lightning, windstorms or icy conditions and end your hunt and return to the ground if inclement conditions arise.
- ▲ **Never** use a treestand while using drugs (even prescription drugs) or alcohol.
- ▲ **Never** use a treestand while feeling ill, nauseous or dizzy, or if you have a prior medical condition that could cause a problem, that is, heart condition, joints that lock-up, spinal fusions, etc., or if you are not well rested. **Never** sleep in stand.
- ▲ **Never** use a treestand on a dead, leaning, diseased or loose barked tree, or a utility pole. **Always** avoid electrical power lines.
- ▲ **Never** rely on a tree branch for support.

**WARNING**

- ▲ **Never** jump or bounce on a treestand to seat it to the tree.
- ▲ Pull up a bow, backpack, or firearm or other equipment only after being secure in the treestand and a firearm must be pulled up with it unloaded, chamber open, and muzzle down.
- ▲ **Always** inform someone of the hunting location, where the treestand will be located and the expected duration of the hunt.
- ▲ A signal device such as a mobile phone, radio, whistle, signal flare or personal locator device (PLD) must be on your person and readily available at all times.
- ▲ Inspect the treestand and all safety devices each time before use and **Do Not** store a treestand outdoors when not in use.
- ▲ **Never** modify your treestand in any way by making repairs, replacing parts, or altering it except if explicitly authorized in writing by the manufacturer.
- ▲ Practice installing, adjusting and using your treestand at ground level prior to using it at elevated positions. Study your new stand to become familiar with all of its features and design. Doing so will confirm that the product is manufactured, assembled and installed correctly.
- ▲ Instructions (written and video) shall be kept in a safe place and reviewed at least annually. It is the responsibility of the treestand owner to furnish the complete instructions to any person who borrows or purchases the treestand.
- ▲ Use at least three (3) people to install or take down a ladder treestand.
- ▲ The criss-cross straps/ropes and stabilization devices must be attached before climbing to the platform.
- ▲ When installing a ladder stand, always bounce on the first rung to set the ladder into the ground according to manufacturer's instructions before proceeding to climb any higher.
- ▲ Check every ladder section connection every time you use the stand before you leave the ground. If ladder sections are separating, do not use the stand.
- ▲ Check the ground under the stand to make sure it is firm and level. Sloping ground or uneven surface (one side on a rock) can cause your ladder to tilt or shift off the tree as you climb.
- ▲ **Always** maintain three (3) points of contact when climbing a ladder treestand. Proper three-point contact means having either two feet with one hand or one foot with two hands on the step portion of the ladder or climbing aid at all times.

 **WARNING**

- ▲ **Always** lean forward as you climb and attach your harness to the tree before securing the platform to the tree and stepping onto the platform.
- ▲ **Never** exceed the stated maximum use height.
- ▲ **Do Not** use this product until you have watched the online safety video, understand it, and practiced the techniques for safe hunting discussed in this video. Video can be found with the QR code and/or URL shown on front cover of this manual.
- ▲ Read and perform all inspection and maintenance tasks before each and every use. Replace any questionable components immediately with RETI original replacement parts.
- ▲ **Do Not** crush tubing when tightening bolt assemblies! Identify and familiarize yourself with all parts before you start. Bolt identification chart can be found in the back.
- ▲ Double check assembly steps to be certain you have correctly assembled this product.
- ▲ **Never** use any product that has not been maintained or inspected properly - Your life depends on it!
- ▲ Replace any and all treestand straps every two years or when any signs of damage or wear exist before.
- ▲ **Always** wear the appropriate footwear when using a ladder treestand. A good non-slip safety boot is important to your personal safety. Be especially careful that boot laces do not get hooked on the stand or any of its components (tuck shoelaces into boots before climbing).

 **WARNING**

- ▲ **Only** use approved RETI parts. Failure to do so may result in serious injury or death!

**INSPECTION AND MAINTENANCE**

**BEFORE EACH USE PERFORM THE FOLLOWING:**

- Inspect all webbing, rope, cord, and strap assemblies for wear or damage.
- Inspect cables and/or cable ends for damage or kinking.
- Inspect all hardware and chain components for damage.
- Inspect for any structural damage to product. (If any exists call RETI customer service.)
- Inspect all nut and bolt assemblies to be certain none are loose.
- Inspect for any missing parts.
- Lubricate all pivot and slide together points with powder graphite, petroleum jelly or silicone spray to prevent noise, wear and rust.
- Inspect entire product for any rust, corrosion, cracks, freezing, excessive heat or rotting damage that may effect the safety of your product. Discard any questionable product.
- Inspect entire product for any structural damage - pay close attention to all weld locations. (Return to factory for repair or discard product if any damage is found.)
- Using correct wrenches inspect all nut & bolt assembly locations and snug up any that may be loose. Be careful not to crush tubing when tightening!
- Inspect and check operation of all cables, cable ends, cord, rope, webbing, and strap or chain assemblies. Replace with factory new any item or assembly that shows signs of wear, damage, kinking, or functions incorrectly.
- Inspect seat. Replace any seat with factory new that shows signs of structural damage or wear.
- Inspect all hardware for wear or damage, also be sure you have no missing parts.
- Never modify your stand in any way by making repairs, replacing parts, or altering adding or attaching anything to it except if explicitly authorized in writing by the manufacturer.

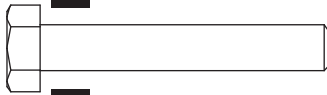
# HARDWARE IDENTIFICATION CHART

Bolts shown are for size reference.  
Extra hardware may be included in the parts bag.

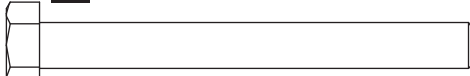
**Quick Tip:** Cut page out to use as a reference tool while following assembly instructions



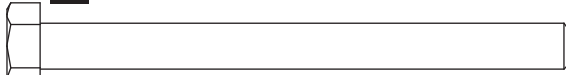
**33** 1/4-20 X 1-1/4 IN Bolt - Qty 2



**26** 1/4-20 X 1-1/2 IN Bolt - Qty 20



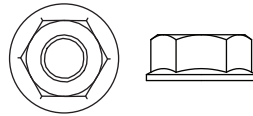
**28** 1/4-20 X 2-1/4 IN Bolt - Qty 24



**32** 1/4-20 X 2-3/4 IN Bolt - Qty 4

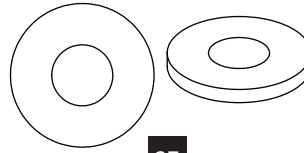


**29** 1/4-20 X 3 IN Bolt - Qty 2



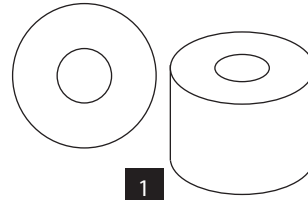
**30**

1/4-20 Nut  
Qty 50



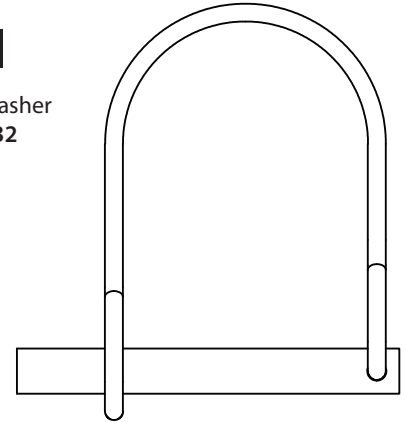
**27**

1/4 IN Washer  
Qty 32



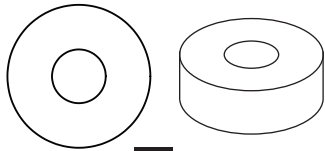
**1**

Spacer  
Qty 2



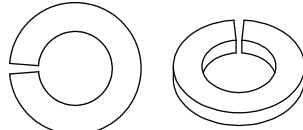
**31**

M6 x 50.8 MM Lockpin  
Qty 8



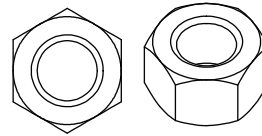
**35**

Spacer 6 MM Thk  
Qty 2



**37**

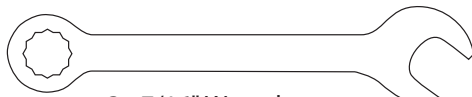
3/8 IN Spring  
Washer  
Qty 1



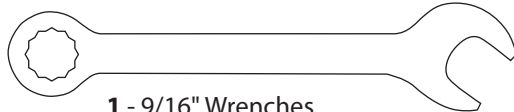
**36**

3/8-16 Nut  
Qty 1

## TOOLS NEEDED



**2** - 7/16" Wrenches



**1** - 9/16" Wrenches



## ASSEMBLY INSTRUCTIONS

### IMPORTANT ASSEMBLY TIP:

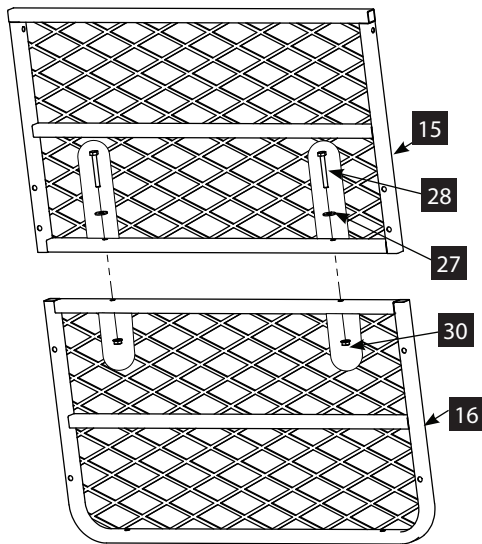
Do not tighten any nut and bolt combinations completely until all parts are assembled together! Finger tighten plus one turn of a wrench only! This will temporarily hold the lock-nut on the bolt while helping alignment of all parts! After all parts are assembled together, all nut and bolt combinations must be completely tightened.

**All assembly must be done in this order at ground level before uprighting.**

**Do not remove labels/warnings from product, they are there for your safety.**

**Recommended for adult use only.**

FIGURE 1



**NOTE: When selecting a tree to install the treestand in, never use a treestand on a dead leaning, diseased or loose barked tree, or a utility pole. Always avoid electrical power lines.**

1. Attach the front platform (15) and the rear platform (16) together using two 1/4-20 x 2-1/4 IN bolts (28), two washers (27) and two 1/4-20 nuts (30). **SEE FIGURE 1.**

**NOTE: Mesh surface of foot platforms should be on top.**

2. Attach the platform support rails (7) to the **bottom** of assembled foot platforms (15 & 16) using eight 1/4-20 x 2-1/4 IN bolts (28), eight washers (27), and eight 1/4-20 nuts (30). **SEE FIGURE 2.**
3. Attach the platform flat bars (3) to the rear platform (16) and platform support rails (7) using four 1/4-20 x 1-1/2 IN bolts (26) and four 1/4-20 nuts (30). **SEE FIGURE 2.**

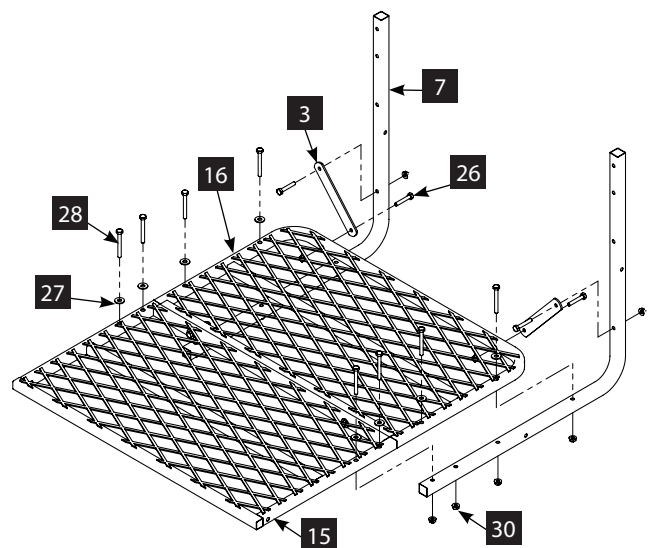
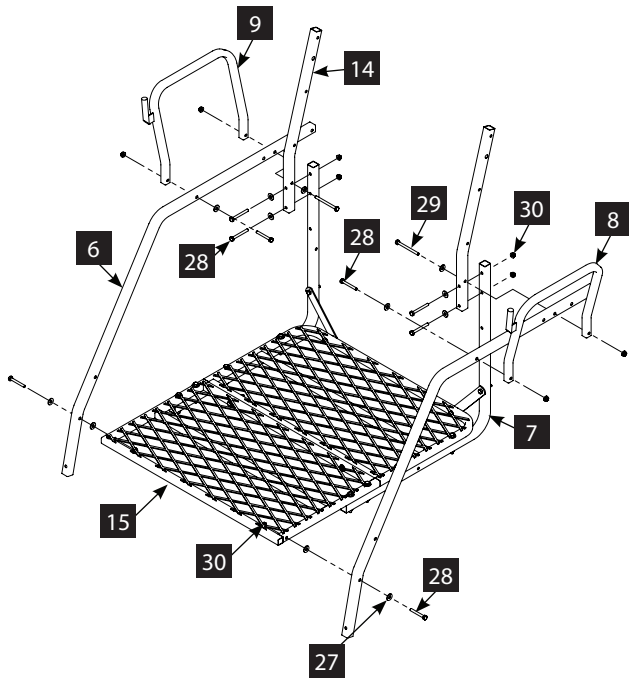


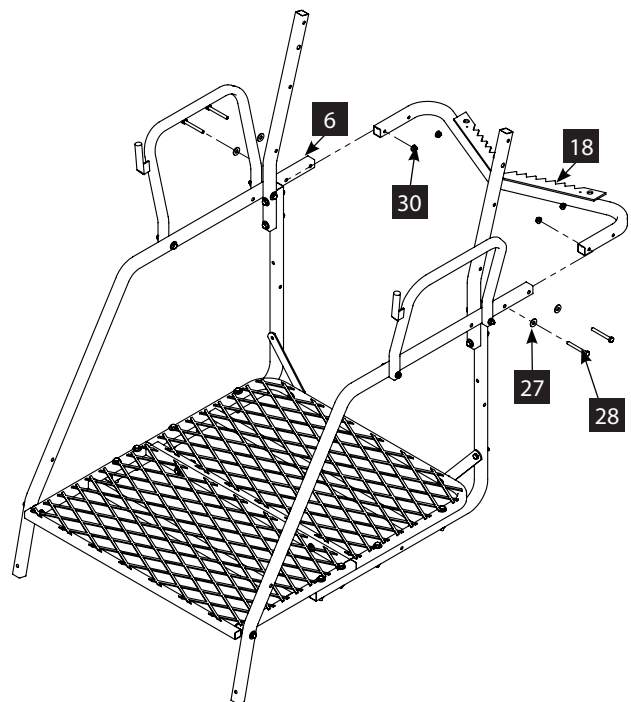
FIGURE 2

**FIGURE 3**



4. Attach the front of the ladder side rails (6) to the front platform (15) using two 1/4-20 x 2-1/4 IN bolts (28), four washers (27) and two 1/4-20 nuts (30). **SEE FIGURE 3.**
5. Attach the left armrest (8), right armrest (9) and two backrest mounts (14) to the previously assembled ladder side rails (6) and platform support rails (7) using two 1/4-20 x 2-1/4 IN bolts (28), four 1/4-20 x 2-1/4 IN bolts (28), two 1/4-20 x 3 IN bolts (29), eight washers (27) and eight 1/4-20 nuts (30). **SEE FIGURE 3.**

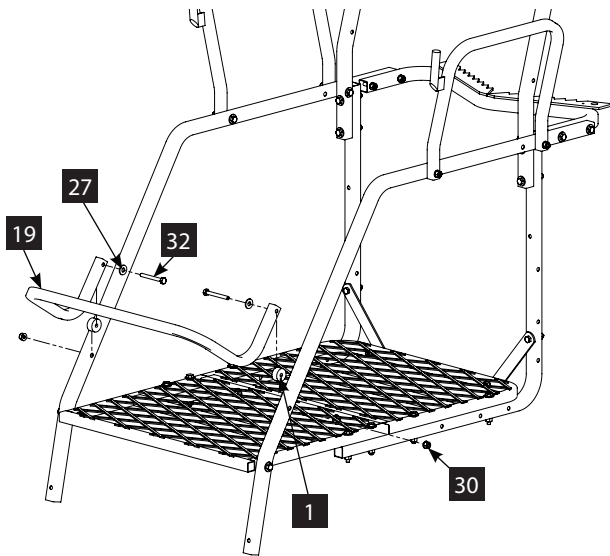
6. Attach the tree blade (18) to the ladder side rails (6) using four 1/4-20 x 2-1/4 IN bolts (28), four washers (27) and four 1/4-20 nuts (30). **SEE FIGURE 4.**



**FIGURE 4**



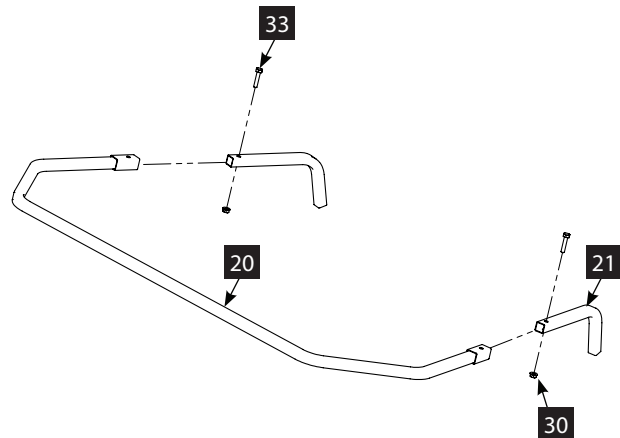
**FIGURE 5**



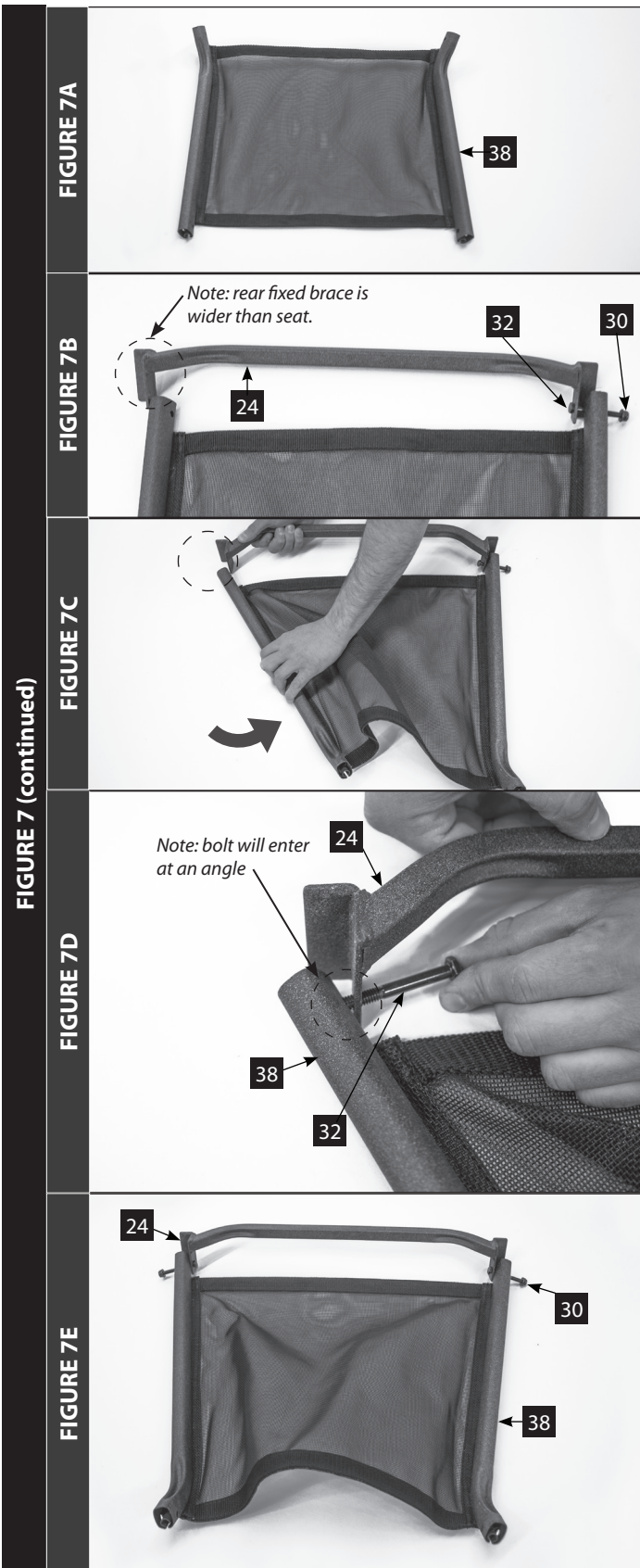
- Attach footrest (19) to ladder side rails (6) using two 1/4-20 x 2-3/4 IN bolts (32), two washers (27), two plastic spacers (1) and two 1/4-20 nuts (30). **SEE FIGURE 5.**

- Insert the shooting rail J-pipes (21) into the shooting rail front (20) and secure together using two 1/4-20 x 1-1/4 IN bolts (33) and two 1/4-20 nuts (30). **SEE FIGURE 6.**

**Note:** To attach the removable shooting rail, set the rail down over studs provided on armrests. Lubrication is recommended to prevent binding and noise.



**FIGURE 6**

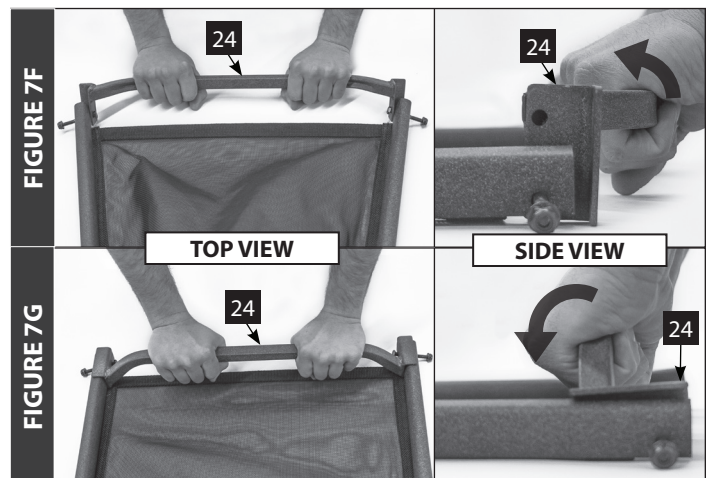


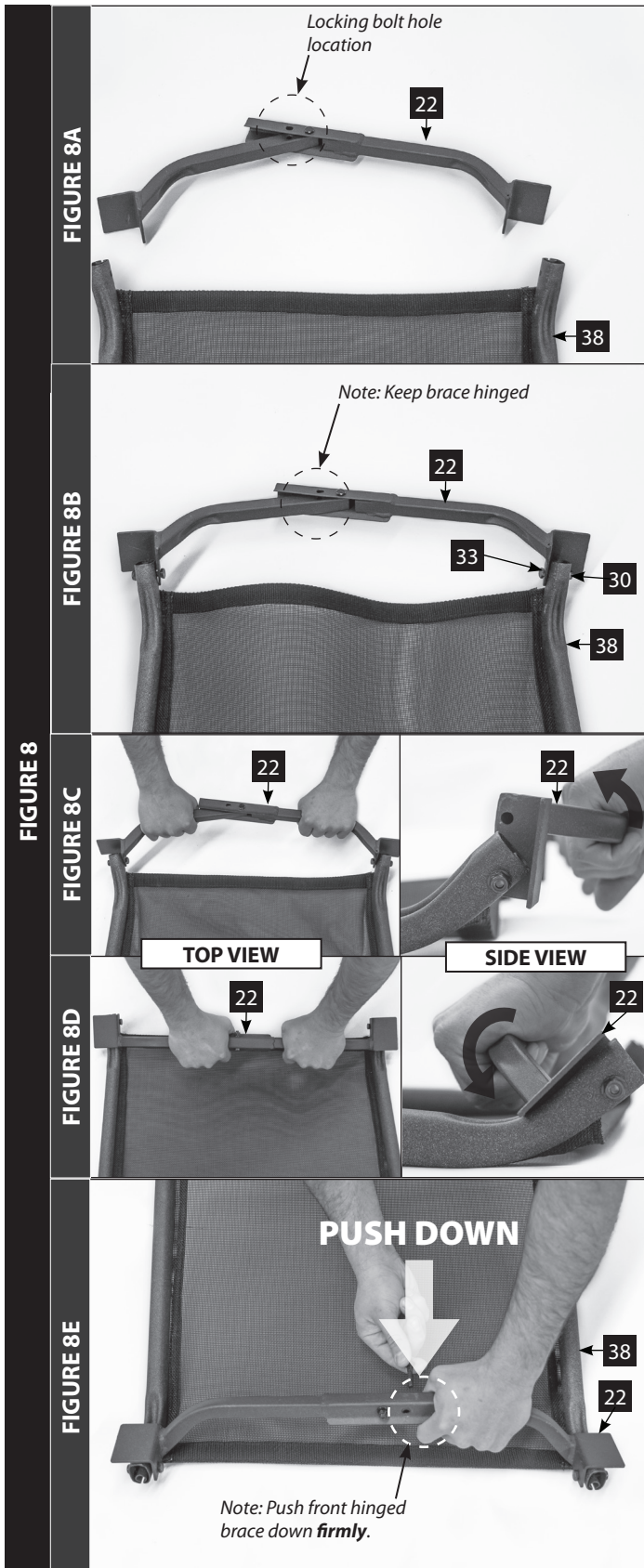
To view assembly video on the seat, visit [www.HuntRiversEdge.com](http://www.HuntRiversEdge.com)

9. Position the factory assembled mesh seat (38) upside down on a sturdy, hard surface. **SEE FIGURE 7A.**
10. Insert one 1/4-20 x 2-3/4 IN bolt (32) through the rear fixed brace (24) and side rail of mesh seat. Finger tighten with one 1/4-20 nut (30) (rear fixed brace nuts will need to be removed in order to attach finished seat to treestand later in assembly instructions). **SEE FIGURE 7B.**

**NOTE: The rear fixed brace is meant to be wider than the seat. The TearTuff material is extremely durable and is meant to stretch. SEE FIGURE 7B.**

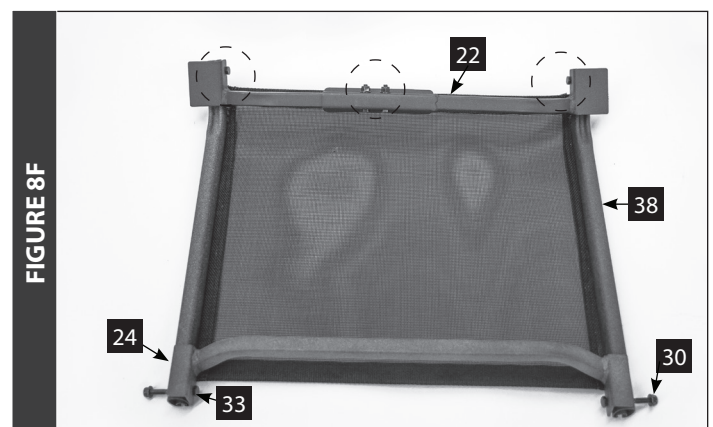
11. Angle the other side rail on seat assembly so it is outside of the rear fixed brace to align the bolt holes. **SEE FIGURE 7C.**
12. Insert one 1/4-20 x 2-3/4 IN bolt (32) through the rear fixed brace and side rail (bolt will enter at an angle). **SEE FIGURE 7D.** Finger tighten with one 1/4-20 nut (30) to aid in further assembly. **SEE FIGURE 7E**
13. Rotate the rear fixed brace towards the seat to lock the brace in position. **SEE FIGURES 7F AND 7G.**



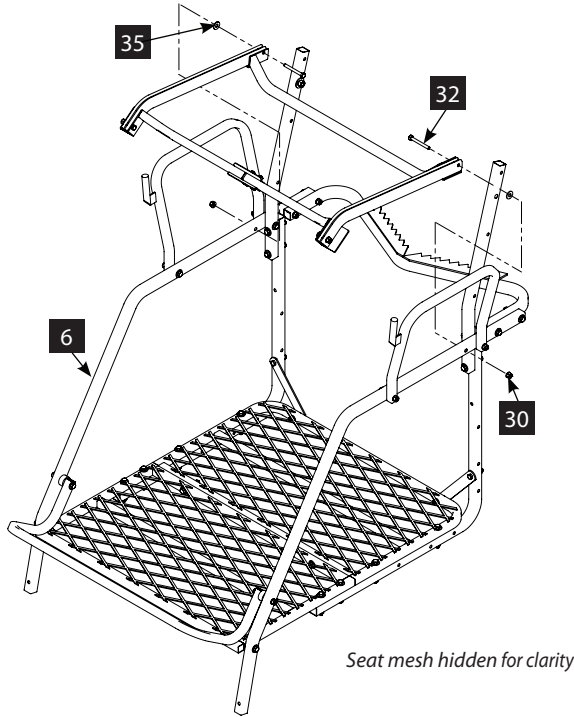


14. Remove the factory installed "locking" bolt and locknut from the front hinged brace (22), and set aside. Hinge the brace slightly to aid in assembly. **SEE FIGURE 8A.**
15. Insert two 1/4-20 x 1-1/4 IN bolts (33) through the front hinged brace and each side rail, and finger tighten 1/4-20 nuts (30). **SEE FIGURE 8B.** Brace should remain hinged.
16. Rotate the front hinged brace towards the seat to lock the brace in position. **SEE FIGURES 8C AND 8D.**
17. Push down on the front hinged brace and install the previously removed bolt and locknut. **SEE FIGURE 8E.**
18. Tighten all four bolts and nuts on the front hinged brace at this time. **SEE FIGURE 8F.** This will tighten up the side rails of the seat to the braces and square up the entire seat.

**NOTE:** The rear fixed brace locknuts will need to be removed in order to attach finished seat and should not be tightened at this time.

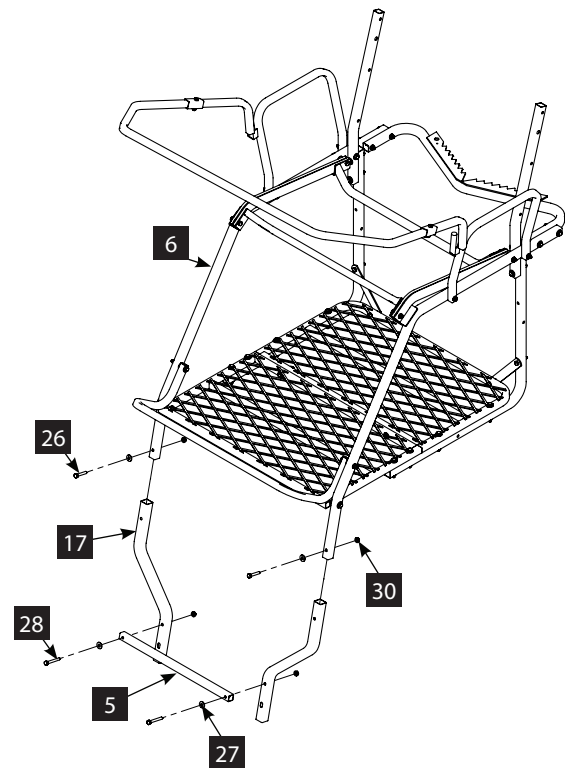


**FIGURE 9**



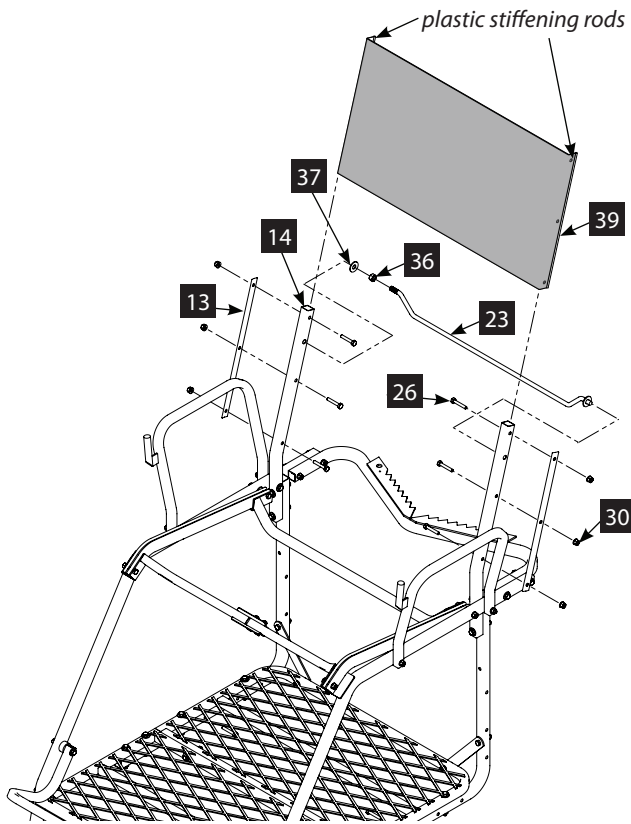
19. Remove the 1/4-20 nuts (30) from the two 1/4-20 x 2-3/4 IN bolts (32) that were previously attached to the rear of the seat assembly. **SEE FIGURE 8F.** Continue by attaching the seat assembly to the ladder side rails (6) using two 1/4-20 x 2-3/4 IN bolts (32), spacers (35) and 1/4-20 nuts (30). **Make sure all four angle brackets are fully cradling fabric rails. SEE FIGURE 9.**

20. Insert the two side rails (6) into the flared rails (17). Secure using two 1/4-20 x 1-1/2 IN bolts (26), two washers (27) and two 1/4-20 nuts (30). **SEE FIGURE 10.**
21. Attach the bolt-on ladder step (5) to the front side of flared rails (17) using two 1/4-20 x 2-1/4 IN bolts (28), two washers (27) and two 1/4-20 nuts (30). **SEE FIGURE 10.**



**FIGURE 10**

FIGURE 11



22. Attach the mesh backrest (39) and the two retaining bars (13) to the backrest mounts (14) using six 1/4-20 x 1-1/2 IN bolts (26) and six 1/4-20 nuts (30). **SEE FIGURE 11.**

**NOTE: The mesh backrest (39) must wrap around the front side of backrest mounts (14) and the plastic stiffening rod located in the sewn sleeve on each side of the backrest MUST be positioned behind the backrest retainer bars (13) to act as a stop and prevent the backrest from pulling out during use. All bolts MUST go through the backrest retainer bars, the holes provided in the backrest and the backrest mounts. SEE FIGURE 11. Temporary removal of the backrest mount tube from the rest of the assembled ladder top may be necessary to attach the mesh backrest. If this is needed, re-attach backrest mount tubes with mesh backrest to the ladder top assembly.**

23. Thread the 3/8-16 nut (36) onto the threaded end of spacer rod (23) all the way to the bottom of threads and slide 3/8 IN lock washer (37) on. Insert the threaded end of spacer rod (23) through either backrest mount tube far enough to be able to insert the opposite end of spacer rod (end with welded-on washer) into opposite backrest mount tube (14). Thread 3/8-16 nut (36) back against mount tube. Using a 9/16 IN wrench, tighten nut until mesh backrest becomes taut. **SEE FIGURE 11.**

**NOTE: You must now tighten all nut and bolt assemblies. Be sure not to over tighten or crush tubing when tightening!**

24. Attach the two support braces (4) to the **inside** of the platform support rails (7) and **outside** of top ladder section (12) using four 1/4-20 x 1-1/2 IN bolts (26) and four 1/4-20 nuts (30). **SEE FIGURE 12.**

**NOTE: Tighten securely. Be sure not to over tighten or crush tubing when tightening!**

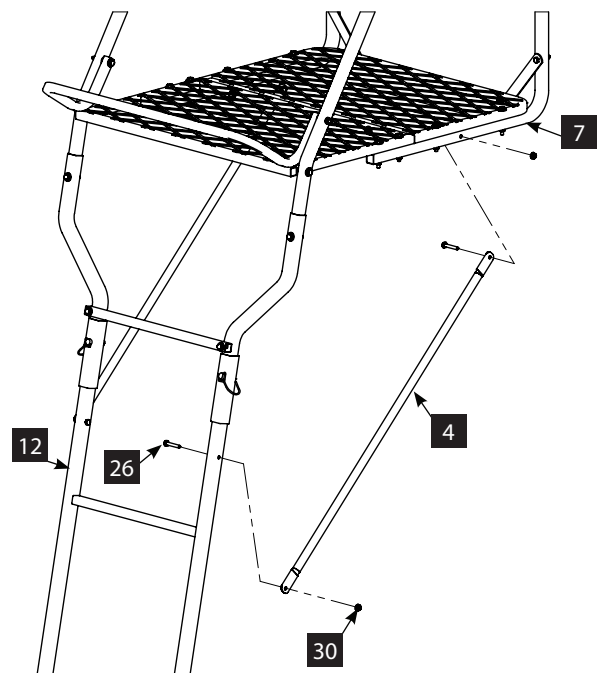
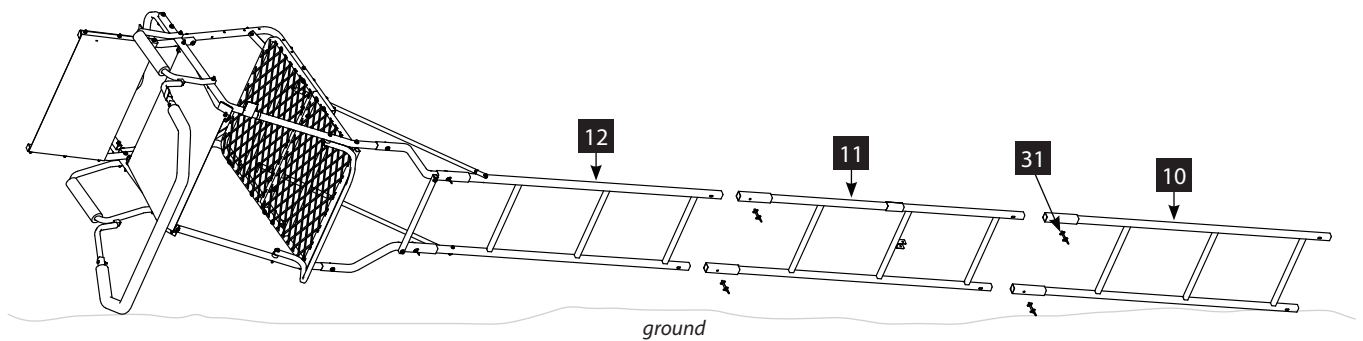


FIGURE 12

FIGURE 13

25. Sections are assembled on the ground in the following order: bottom ladder section (10), middle ladder section (11), top ladder section (12) and the top section (assembled top platform section). All parts must be connected with six lockpins (31). **SEE FIGURE 13.**



26. Attach the stabilizer bar extension tube (2) to the middle ladder section (11) through the mounting bracket with one lockpin (31). **SEE FIGURE 14.**
27. Slide the stabilizer bar (34) into the extension tube (2) and attach the two pieces together using one lockpin (31). The lockpin must go through both the extension tube (2) and stabilizer bar (34) at appropriate hole to achieve desired distance from tree. Adjustment in length may be needed when ladder is uprighted later in Setup and Use Instructions. **SEE FIGURE 14.**

**NOTE: Treestand should ALWAYS be fully assembled on the ground prior to mounting it in the tree.**

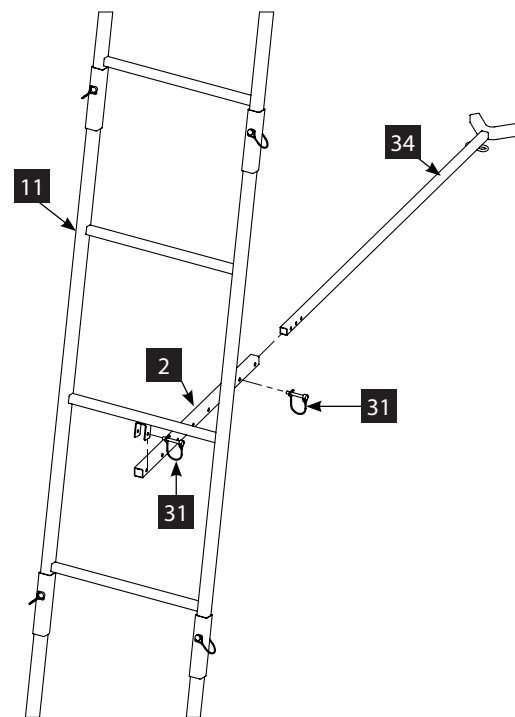
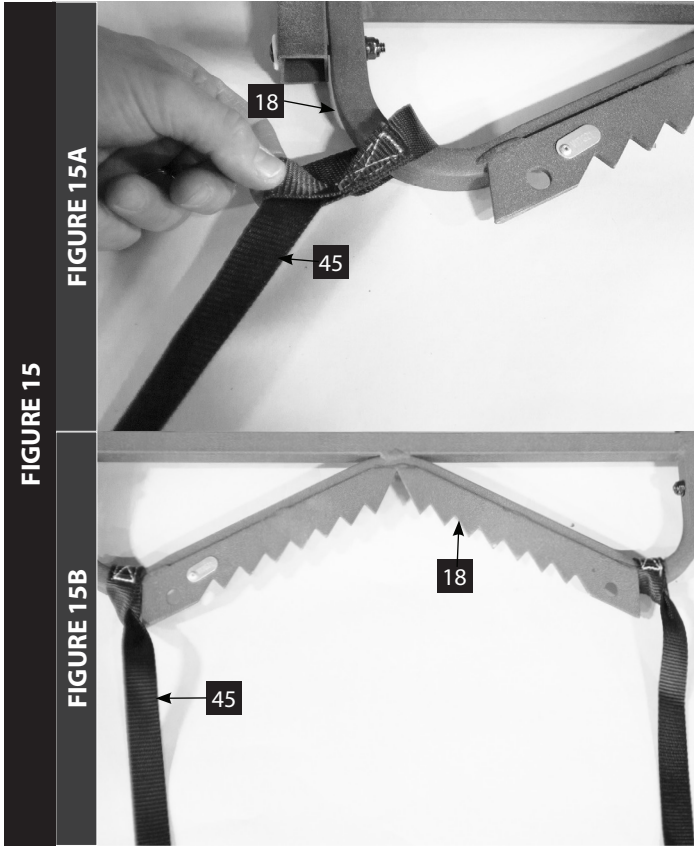


FIGURE 14



28. Attach the two 9 IN foam pads (42) and one 54 IN foam pad (43) to the armrests (8 & 9) and shooting rail (20) by wrapping around tubing and attaching hook and loop together.
29. Attach the two foam-padded seat bumpers (46) to bottom side of front seat spacer assembly (22). Surface must be clean and at room temperature for proper adhesion.
30. Attach the two long ends of the 16' criss-cross straps (45) to the tree blade (18). These long stabilizer straps should be attached by pulling the free end of the strap through the loop end of the strap to create a cinch knot around the frame tube. **SEE FIGURE 15A AND 15B.**

**STOP**

**READ AND UNDERSTAND THE FOLLOWING WARNINGS BEFORE SETUP AND USE**

**! WARNING**

- ▲ Double check assembly steps to be certain you have correctly assembled this product.
- ▲ Study your new stand to become familiar with all of its features and design. At ground level, following provided use instructions, practice attaching stand to tree and removing stand from tree. Practice sitting, standing, and using this product before attaching overhead. Save these instructions for future reference. You must always use the provided Fall Arrest System (FAS) while using this product.
- ▲ **Always** use at least three (3) people to install or take down a ladder treestand. **Always** have two people stabilize the ladder before climbing to the platform the first time after every set-up.
- ▲ Be absolutely sure the tree blade(s) on stand and the stabilizer bar are contacting tree before climbing ladder.
- ▲ Stabilizer bar must always be correctly and securely attached to ladder and tree before climbing ladder.
- ▲ Make sure ladder bottom is firmly seated on dry, level ground. Attach your harness tether to the tree before securing the platform to the tree and stepping onto platform. Refer to the Full Body Harness instructions.
- ▲ **Never** ascend or descend ladder without criss-cross straps/ropes securely holding ladder to tree and stabilizer bar securely attached. Failure to correctly perform these steps can cause the ladder to collapse/buckle-over backwards during the initial ascent to attach ratchet strap resulting in serious injury or death.
- ▲ **Always** lean forward as you climb and attach your harness to the tree before securing the platform to the tree and stepping onto the platform.

**! WARNING**

- ▲ Bring ratchet strap(s) up with you in a pocket - **Do Not** carry in your hands!

**! WARNING**

- ▲ **Always** maintain three (3) points of contact when climbing a ladder treestand. Proper three-point contact means having either two feet with one hand or one foot with two hands on the step portion of the ladder or climbing aid at all times.
- ▲ **Always** wear the appropriate footwear when using a ladder treestand. A good non-slip safety boot is important to your personal safety. Be especially careful that boot laces do not get hooked on the stand or any of its components (tuck shoelaces into boots before climbing).
- ▲ **Never** stand on seat, it is designed for sitting only.
- ▲ **Do Not** allow excessive strap buildup in ratchet as this will prevent the ratchet teeth from engaging causing slippage.
- ▲ **Always** attach ratchet straps securely while using this product!
- ▲ If seat is removable, be certain it is securely attached when in use.
- ▲ Some models include a shooting rail. **Never** lean against, lean over, or sit on shooting rail. It is designed as a shooting rest only. **Always** be aware that the shooting rail can swing to one side or pivot up and down.
- ▲ Some models include a footrest, which is designed as a footrest only. **Never** stand on footrest! **Always** be fully aware of foot placement.
- ▲ Some models include a multi-piece stabilizer bar system. Be sure attachment hardware goes through both the extension tube and the stabilizer bar.



## SETUP AND USE INSTRUCTIONS

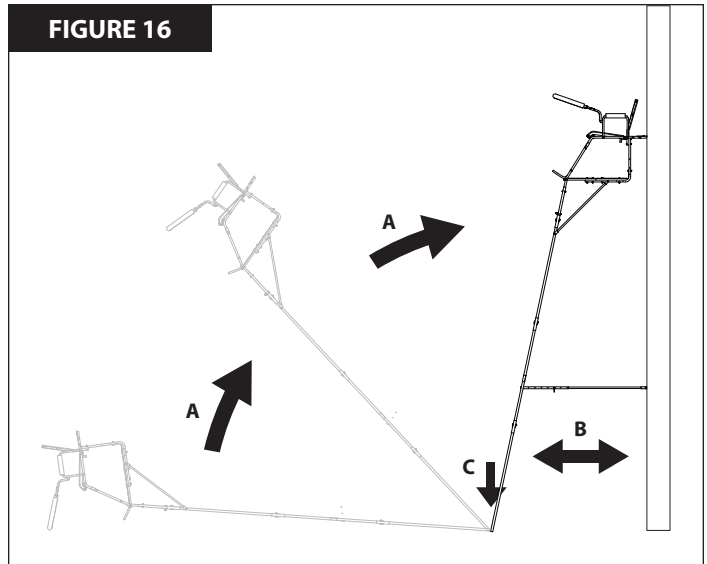
### **⚠ WARNING**

- ▲ **Never** use a treestand on a dead, leaning, diseased or loose barked tree, or a utility pole. **Always** avoid electrical power lines.
- ▲ Bring ratchet strap(s) up with you in a pocket - **Do Not** carry in your hands!

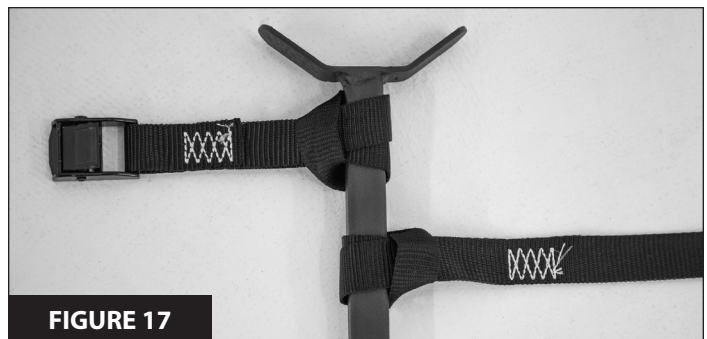
*During installation and removal of ladder treestands, you must always and properly use the included Full Body Harness (Fall Arrest System). Refer to the Full Body Harness instructions included with this product for proper use.*

1. With assembled product lying on the ground, **position one person at bottom end of ladder lying on the ground.** This person has to prevent the ladder end from tilting up when platform end is lifted and prevent the ladder from skidding across ground.
2. a. Position two people at the platform end of the ladder, lift the platform end and continue uprighting by walking toward bottom end of ladder and moving hands along ladder legs. **Stand ladder up against chosen straight tree on dry, level ground.** Use caution when ladder comes over center against the tree. **SEE FIGURE 16(A).**
  - b. Step back and look at the ladder top to see that it is level. Adjust as needed to achieve a level platform top. Make sure tree blade is contacting tree. **SEE FIGURE 16(B).**
  - c. Step down hard on bottom step to push ladder legs into the ground. **SEE FIGURE 16(C).**
3. While two people hold the stand in place, the third person should connect the horizontal stabilizer bar to the tree. Adjust the length of the stabilizer bar as need so it contacts the tree and is level to the ground. Then secure it to the tree with the 6' cam strap (44) by forming a cinch knot with both ends of the strap and running the long end of the strap through the cam buckle. **SEE FIGURES 17 AND 18.**

**FIGURE 16**



**FIGURE 17**



**FIGURE 18**



4. a. Loop the d-loop end of the two 16' criss cross straps (45) through the loop end to form a cinch knot around the ladder rail tube. Secure beneath a step rung, at the stabilizer bar height location. **SEE FIGURE 19A.**  
 b. With the stand level and being held in place by two people, the third person must cross one of the 16' criss cross straps (45) behind the tree and feed the free end through the opposite d-loop. **SEE FIGURES 19B-E.**  
 c. Criss cross the other 16' stabilizer strap (45), forming an "X" pattern on the backside of the tree and feed the free end through the opposite d-loop. **SEE FIGURES 19B-E.**
5. Make sure the criss cross straps and stabilizer bar strap are snug and the tree blade is still contacting the tree.

**NOTE: This ground level ladder-to-tree attachment will prevent the ladder from pulling away from the tree while ascending to the top for final 6' ratchet strap (44) attachment. The same holds true when the ladder is removed.**

6. **With two people securely holding the ladder,** use the three point contact climbing method to slowly climb the ladder and carefully keep a constant hand grip on the ladder at all times. Always lean forward, toward tree, to keep top section tree blades against the tree. **Be certain ladder bottom is firmly seated on dry, level ground. Attach your harness tether to the tree before securing the platform to the tree and stepping onto platform. Refer to the Full Body Harness instructions included with this product.**

**NOTE: Bring ratchet strap up with you in a pocket. DO NOT carry in your hand!**

7. a. Standing on ladder step, lean toward tree with ratchet strap now in hand. Hook "S" hook with long strap through hole provided on tree blade. Feed the long strap through the center (slot) of ratcheting mechanism and back around through tightening lever. **SEE FIGURES 20, 21A & 21B.**

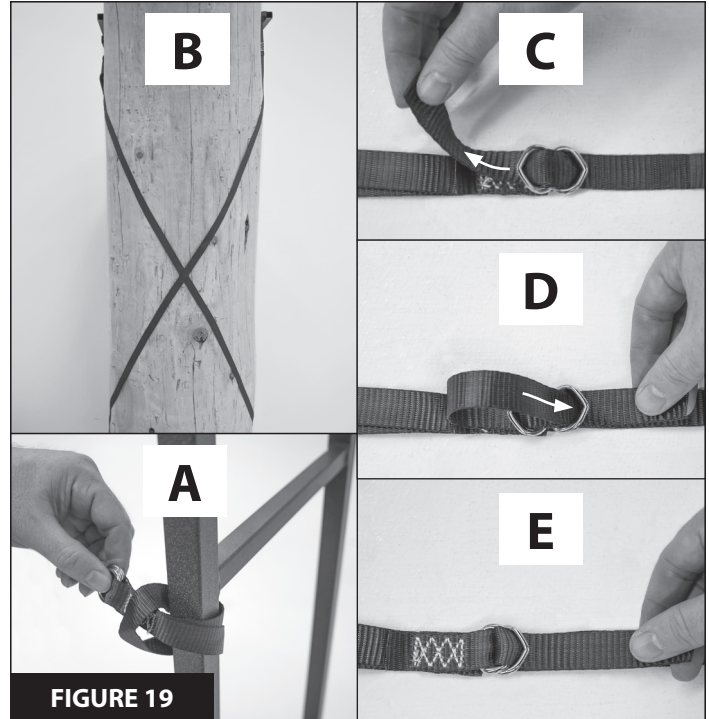
**NOTE: Be sure you feed the long strap correctly so there are no twists in the strap.**

b. Wrap entire ratchet assembly around tree and hook other "S" hook through opposite upper tree blade hole. Pull tail of long strap until most of the slack is taken out. Be sure entire strap is even and at the same level all around tree. "Ratchet" tight to tree, this will securely attach ladder to tree and prevent movement. **SEE FIGURES 21B AND 21C.**

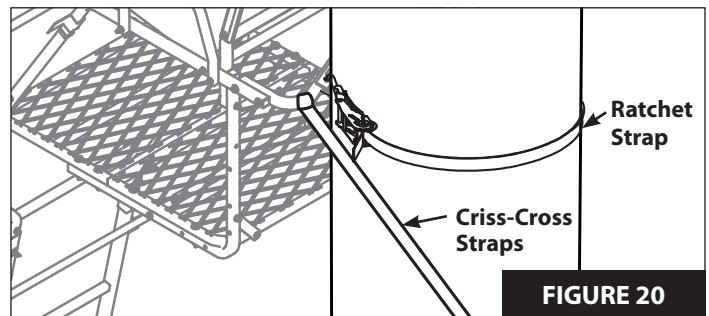
**NOTE: Make sure there is at least two full revolutions of strap on the ratchet spool before the strap tightens. Proper tension will ensure the stand is secured to the tree. Do not allow excessive strap to build up in the ratchet as this will prevent the ratchet teeth from engaging and can cause slippage.**

**To release ratchet, simply pull the release lever and open tightening lever wide open (flat). SEE FIGURE 21D.**

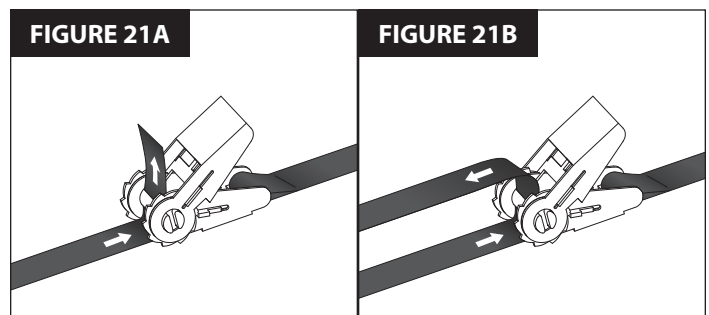
8. You are now ready to use your ladder stand.



**FIGURE 19**

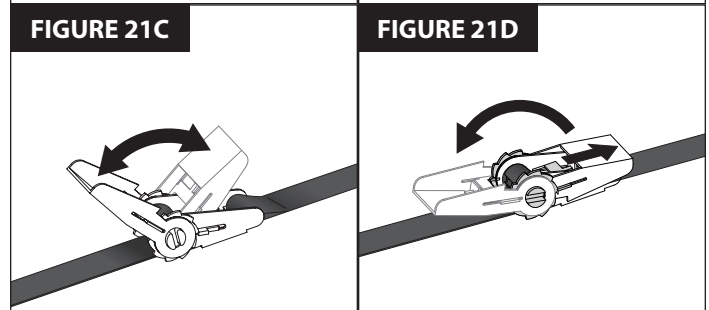


**FIGURE 20**



**FIGURE 21A**

**FIGURE 21B**



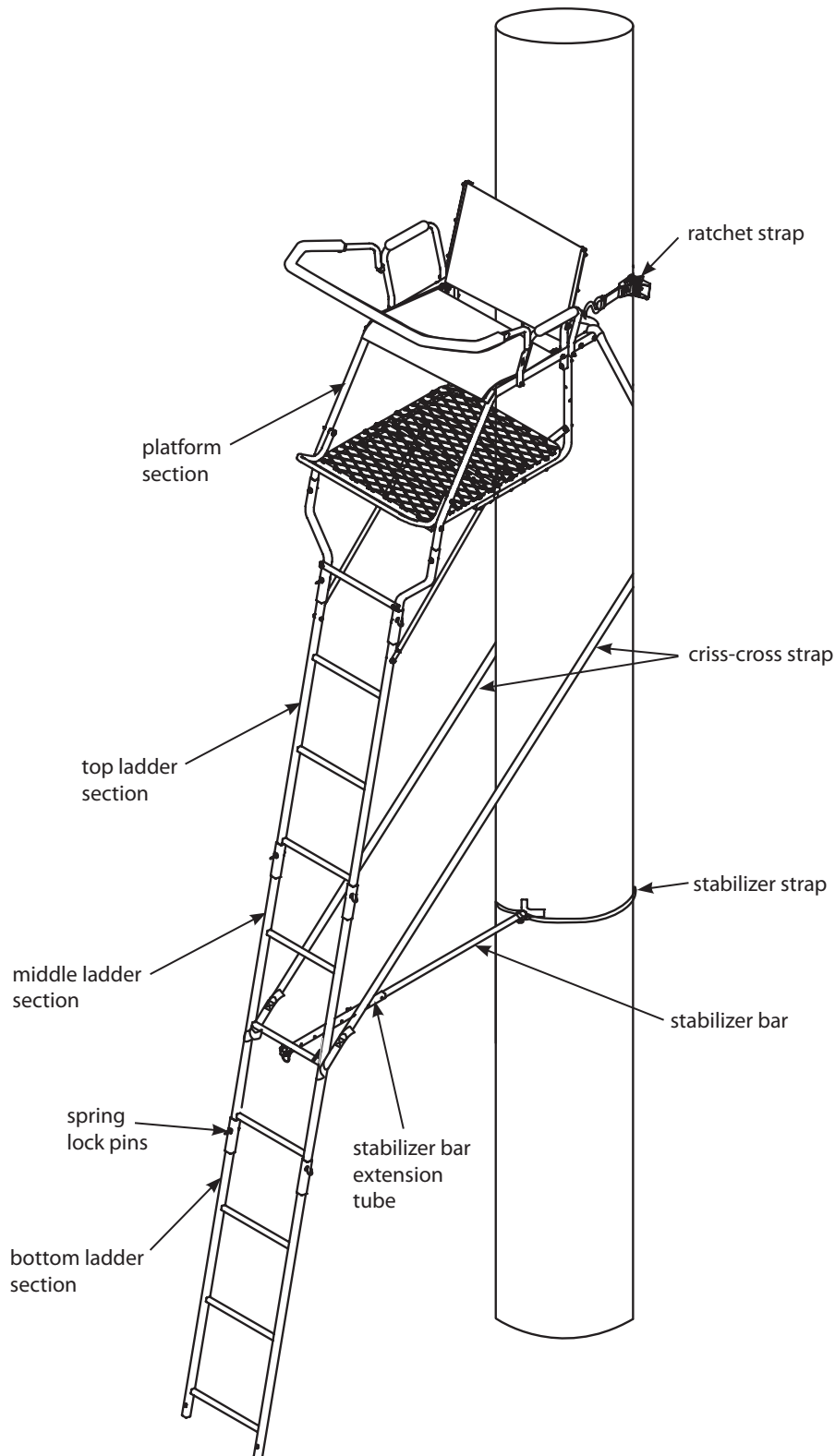
**FIGURE 21C**

**FIGURE 21D**

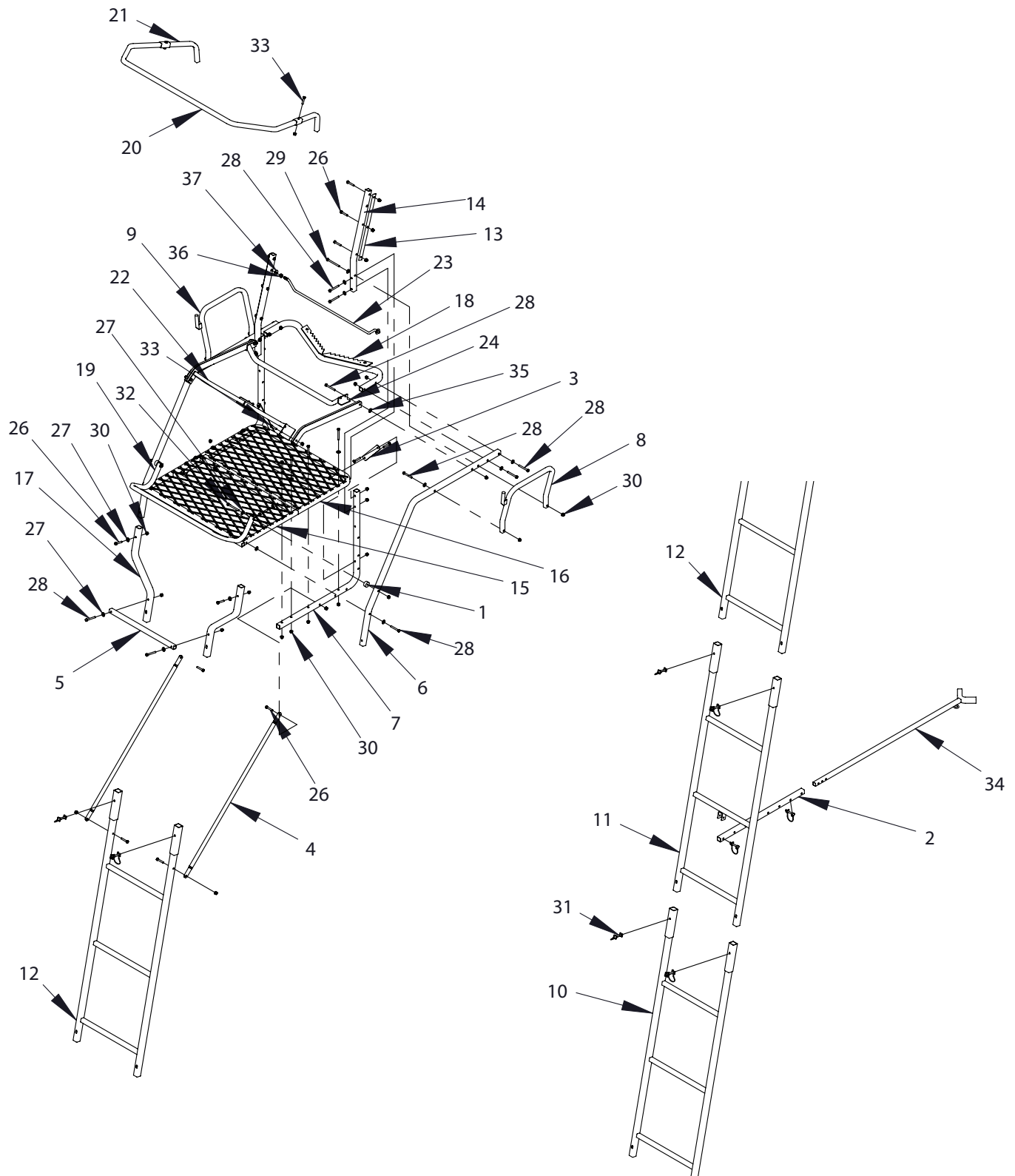
**! IMPORTANT**

- ▲ Reverse the Set-Up and Use Instructions to take the ladder stand down.

## FINISHED LADDER



**ILLUSTRATED PARTS BREAKDOWN**



## PARTS LIST

KEY #	PART #	DESCRIPTION	QTY.
1	10347	SPACER NYLON 1/4 X 1 X 1/2	2
2	1ML23	TUBE, STABILIZER, SUPPORT	1
3	1ML40	BRACE, SUPPORT FLAT, TIMBER LADDERS	2
4	410024	BRACE SUPPORT	2
5	410034	STEP LADDER 17 IN	1
6	410053	RAIL SIDE LADDER	2
7	410055	RAIL PLATFORM SUPPORT	2
8	410062L	ARMREST LEFT	1
9	410062R	ARMREST RIGHT	1
10	410066	BOTTOM LADDER SECTION	1
11	410068	MIDDLE LADDER SECTION W/ STABILIZER SLOT	1
12	410069	TOP LADDER SECTION	1
13	410081	STRIP FABRIC MOUNT	2
14	410082	MOUNT BACKREST	2
15	410083	PLATFORM FRONT	1
16	410086	PLATFORM REAR	1
17	410089	RAIL SIDE FLARED LADDER	2
18	410090	TREE BLADE LADDER	1
19	410092	FOOTREST LADDER	1
20	410093	SHOOTING RAIL	1
21	410113	J-PIPE SHOOTING RAIL	2
22	23623	ASSEMBLY SEAT SPACER FRONT	1
23	410119	SPACER BACKREST	1
24	23628	SEAT SPACER REAR	1

KEY #	PART #	DESCRIPTION	QTY.
26	48240B	BOLT 1/4-20 X 1-1/2 IN	20
27	48261B	WASHER 1/4 IN	32
28	48271B	BOLT 1/4-20 X 2-1/4 IN	24
29	48280B	BOLT 1/4-20 X 3 IN	2
30	48752B	NUT 1/4-20	50
31	19847	LOCKPIN, M6 X 50.8 MM	8
32	67540B	BOLT 1/4-20 X 2-3/4 IN	4
33	8909B	BOLT 1/4-20 X 1-1/4 IN	2
34	27397	STABILIZER BAR	1
35	15909	SPACER PLASTIC 7.1 MM X 19 MM X 6 MM	2
36	10755	NUT 3/8-16	1
37	719	WASHER 3/8 IN	1
ITEMS NOT SHOWN			
38	27713	ASSEMBLY SEAT JUMBO JACK	1
39	360022	ASSEMBLY BACKREST JUMBO JACK	1
40	48415	RATCHET STRAP	1
41	10531	FULL BODY HARNESS (FAS)	1
42	48736	PAD W/FOAM 9 IN	2
43	48913	PAD W/FOAM 54 IN	1
44	MK021-1401	CAM STRAP W/LOOPS 1 IN X 6 FT ASSEMBLY	1
45	MK034-4511	CRISS CROSS STRAP 3/4 IN X 16 FT ASSEMBLY	1
46	48102	PAD, BUMPER SEAT	2

**NO EXTENSIONS AVAILABLE FOR THIS MODEL.  
NEVER MODIFY OR EXCEED ORIGINAL STATED USE HEIGHT!**



**OTHER GREAT PRODUCTS BY RIVERS EDGE TREESTANDS**



**LANDMARK**  
PERMANENT BLINDS

Portable ground blinds take a beating from the sun, wind, rain and snow. Colors fade, materials rot, poles break and fabric tears. The Landmark Permanent Blind was designed and constructed to resist the elements year after year. The durable steel frame is covered in marine-grade reinforced synthetic tarpaulin, made from the same rugged materials used in pick-up truck tonneau covers. The window configuration allows you to precisely control gap vertically, horizontally or both. If you're looking for an affordable year-round hunting blind with enough room for group hunts and archers, the Landmark Permanent Blind is for you.

**BigFoot** CLIMBING SYSTEMS



All climbing aids are not created equal. For starters, Bigfoot Climbing Aids feature extra-large rungs that a hunter can place two feet on the same level. Next we use a permanent anti-slip coating called Tractionite. Our assortment of climbing aids securely attach to the tree using a cam straps or ratchet straps. We take immense pride and satisfaction in knowing that our designs consistently gain praise from hunters and outfitters who recognize the little differences. A big hunt should never be ruined over a little climb!

**BigFoot** LEVER-ACTION HANG-ONS



Nothing attaches to a tree tighter than a Big Foot™ Treestand! Our line of lever-action hang-on stands bite into the tree eliminating the need for a second strap. Other treestands use small ratchet straps that are not as secure once installed. Perfect for sitting on a tree at ground level or higher up when paired with our climbing aids. Feel the stability of a Big Foot™ Treestand for yourself!



**WE ARE HUNTERS**

**Rivers Edge® Treestands, Inc.**

1160 Eighth Avenue, PO Box 755  
Cumberland, WI 54829

Phone: 800-450-EDGE (3343)

Fax: 715-822-2124

[www.HuntRiversEdge.com](http://www.HuntRiversEdge.com)

\*All weights, specifications and features are approximate and are subject to change without notice. Due to continuous product improvements, product images may not be exact. Warning labels in some product images may have been removed for photography purposes only. Props shown in photos not included. Some assembly may be required.