



TRUCK STORAGE SOLUTIONS

**INSTALLATION INSTRUCTIONS FOR  
ALUMINUM HEADACHE RACK**



**MODELS 11902, 11904, 11906 & 11908**

**⚠ NOTICE**

There may be left over components depending on up-fit. Any modification or unintended use of this product shall immediately void all manufacturer's warranties. Manufacturer disclaims all liability for injuries to persons or property resulting from any modification to, or unintended use of this product.

**⚠ CAUTION**

To keep debris out of your eyes when checking the underside of the vehicle, or when drilling, always wear protective eye wear. Never load your rack to exceed the safe rated capacity of your vehicle. Heavy loads carried high can dangerously alter the center of gravity.

**⚠ DANGER**

Danger of explosion. Do not use this product for storing or transporting flammables, explosives, hazardous materials, or hazardous waste, such as containers of gasoline, solvents, gun powder, dynamite, propane tanks, acetylene tanks and cutting torches.

**⚠ WARNING**

Always place and tightly secure ladder on rack with a sufficient barrier (tape/padding) between the ladder and rack. Failure to properly secure the ladder on the rack while in transit could cause damage leading to structural collapse of the ladder and potential injury or death. This product is only intended for, and only safe for, transporting ladders, lumber, pipe and other similar materials. It is the responsibility of the user to secure these materials to the rack before transporting. Any modifications made to this product, or use of this product for any other purpose than its intended use, could create a hazardous condition that can cause serious personal injury or property damage. This product is only intended and safe for use in storing and transporting small tools, equipment and other similar materials. Any modifications made to, or unintended use of this product, could create a hazardous condition that can cause death, serious personal injury or property damage

**ATTENTION: PLEASE READ AND UNDERSTAND ALL INSTRUCTIONS AND WARNINGS**

## INSTALLATION GUIDELINES

- WEATHER GUARD® headache racks are designed to work with WEATHER GUARD® Mounting Channel kits to provide the best support for your load
- Review vehicle manufacturer's rail mount recommendation.
- Perform the installation on a level surface.
- Always wear protective eyewear to keep debris out of your eyes when installing WEATHER GUARD® Truck Products.
- Tighten all 5/16" hardware to 13 ft-lb when ready.
- Tighten all 1/4" hardware to 76 in-lb when ready.
- This product is designed and intended for use on the following full size trucks: Ford F-150 & F-250, Ram 1500 & 2500, GMC Sierra, Chevrolet Silverado

## OPERATION GUIDELINES

- Ladders transported on a vehicle should be properly supported and the overhang of the ladders beyond supporting points should be limited. Transporting a ladder with excessive overhang can result in reduced ladder life. Inspect your ladder before each use. Follow ANSI 14.2-2007 for direction on securing ladders to ladder racks.
- It is the responsibility of the user to secure the load to the rack before transporting.
- Any modifications made to this product, or use of this product for any other purpose than its intended use, could create a hazardous condition that can cause serious personal injury or property damage.
- Material must be contained within the side rails of the rack
- Adhere to DOT and state requirement when transporting material on the rack
- Properly rated straps must be used when securing material to the rack
- **At the end of the first week of use, check all of the fasteners for proper tightness and then check every three months thereafter**

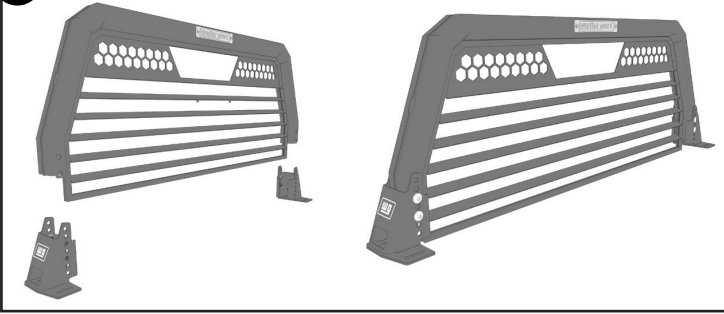
## HARDWARE KIT

ITEM	DESCRIPTION	QTY
1	5/16"-18 x 1-1/4" Carriage Bolt	4
2	5/16"-18 x 1-1/4" Hex Head Bolt	2
3	5/16"-18 x 2-1/4" Hex Head Bolt	1
4	5/16"-18 Lock Nut	8
5	5/16"-18 Blind Fastener	2
6	5/16" Lock Washer	2
7	5/16" Washer	6
8	1/2"-13 x 5" Flanged Button Head Bolt	4
9	1/2"-13 Flanged Lock Nut	4
10	1/2" ID Bushing	8
11	Fender Washer	4
12	Blind Fastener Tool	1

TOOLS REQUIRED
Headache Rack
Ratchet
1/2" Ratchet Wrench
1/2" Hex Socket
9/16" Wrench
3/4" Wrench
5/16" Allen Socket or Wrench
Alignment Punch
Power Drill
5/16" Drill Bit
Step Drill Bit or 1/2" Drill Bit
Hammer

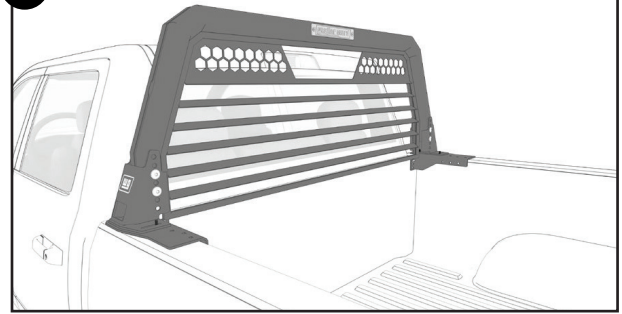
# INSTALLATION GUIDE

1



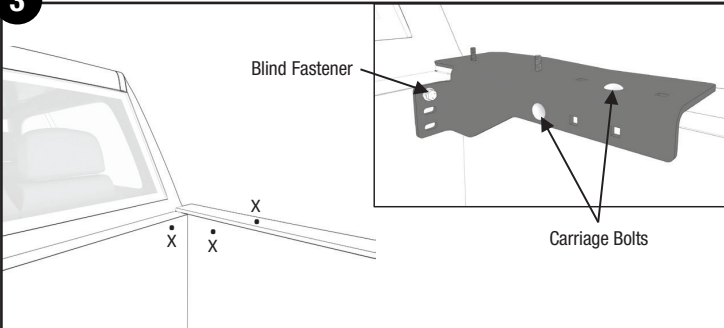
Assemble frame to upper bracket mount (Reference Page 2 for Height Adjustment). Tighten using 5/16" Allen Socket or Allen Wrench and 3/4" Hex Socket or Wrench such that the nut is flush with the end of the bolt. Repeat on all four 1/2" bolts.

2



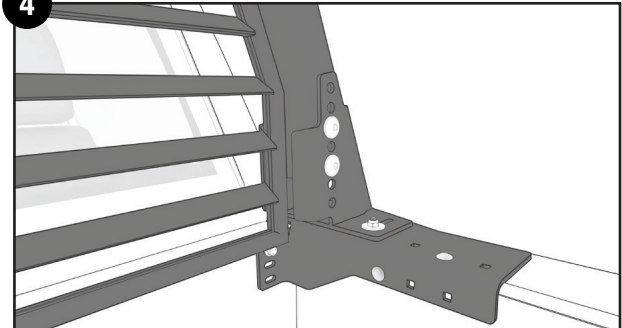
Place both the lower brackets in the far back corners. Position the Upper assembly onto the lower bracket using the threaded stubs to locate.

3



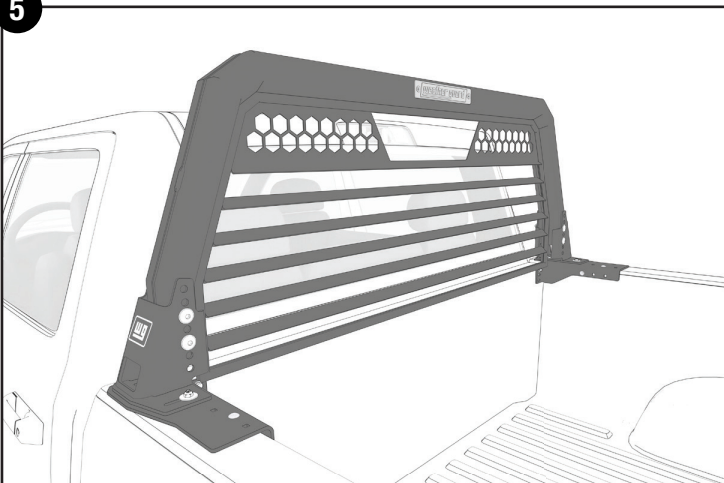
Mark appropriate points for drilling. (See reference on page 2 for appropriate configuration). Use alignment punch and a hammer to insure correct positioning. Use step drill bit or 1/2" drill bit for the blind fastener and 5/16" drill bit for the carriage bolt mounting holes. Once drilled position lower bracket and loosely tighten fasteners. Use 5/16"-18 x 1-1/4" bolts, 5/16" washers, and lock washers to fasten to the blind fasteners. Use 5/16"-18 x 1-1/4" carriage bolts, 5/16" washers, and 5/16"-18 lock nuts on the 5/16" holes.

4

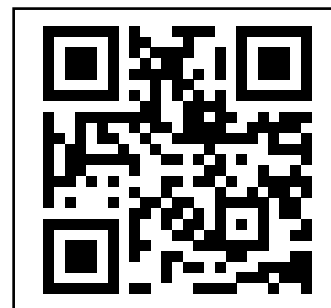


Place upper assembly over the lower fastened bracket using the studs to locate. Use the fender washers and 5/16" lock-nuts to fasten the upper assembly to the lower bracket.

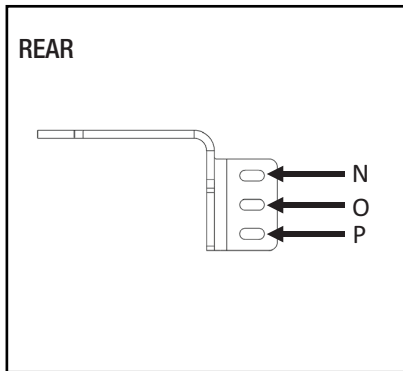
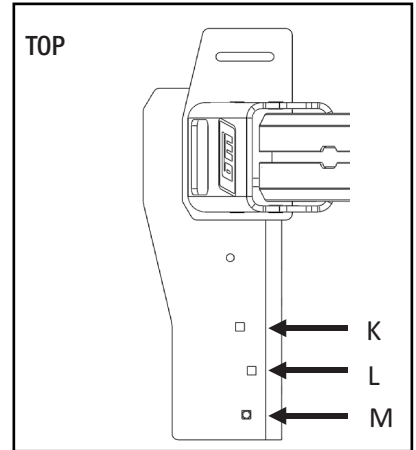
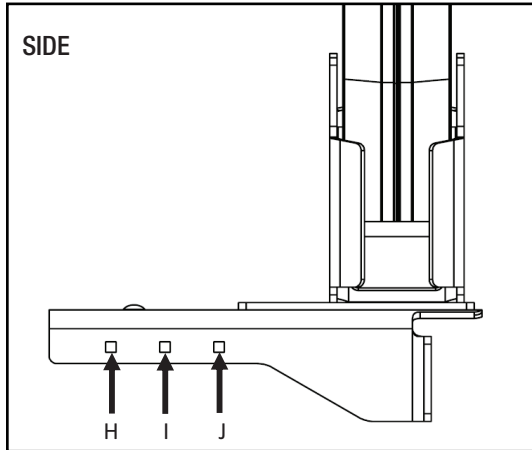
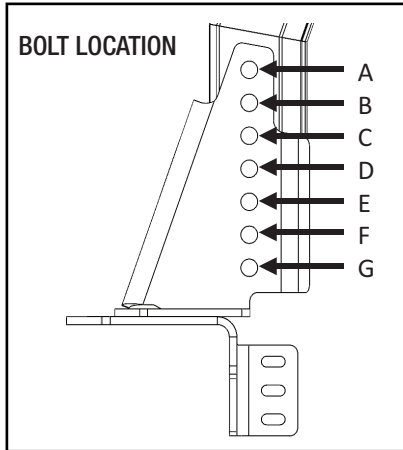
5



Fully tighten all bolts and nuts. Tighten the 1/2" bolts such that 1/8" of threads are showing.

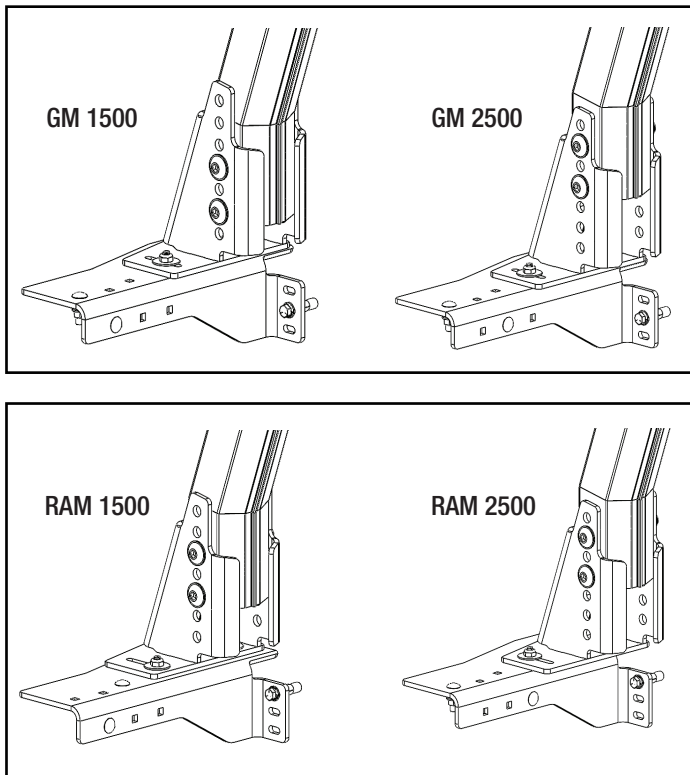
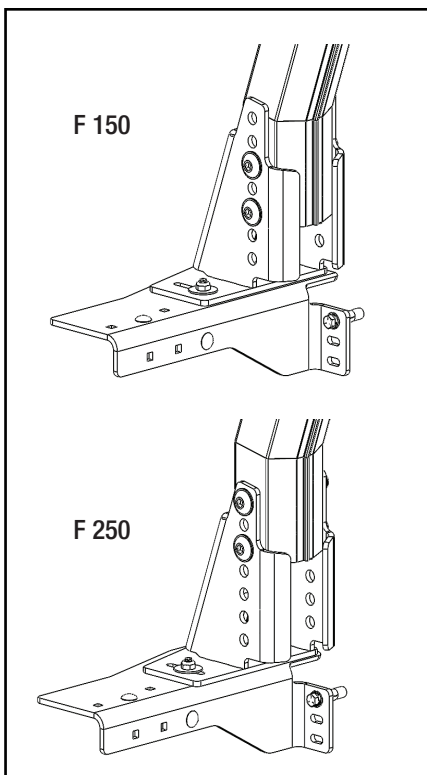


# BRACKET DIAGRAMS



		FASTENER LOCATION				
		UPPER BRACKET		LOWER BRACKET		
		Top Bolt	Lower Bolt	Side	Top	Rear
<b>FORD</b>	F150	C	E	J	L	N
	F250	A	C	J	L	N
<b>GM</b>	GM1500	D	F	H	M	O
	GM2500	B	D	I	M	O
<b>DODGE</b>	RAM1500	C	E	H	K	N
	RAM2500	B	D	J	M	N

## CONFIGURATIONS BY TRUCK MODEL



## ⚠ WARNING

This product can reduce the driver's ability to clearly see roadways, vehicular or pedestrian traffic and other objects through the rear and side windows of the vehicle, which can cause an accident. Extra precautions should be taken when driving a vehicle with this product. Make all adjustments necessary to ensure maximum visibility, including but not limited to, changing mirror and seating positions. State and local laws may prohibit obstruction of windows in a moving vehicle.

These instructions are to be followed using the parts and fasteners supplied for proper installation. Any modifications or improper installation of this product will create a hazardous condition that could result in death, serious personal injury and/or property damage.

## ⚠ CAUTION

Prior to drilling, so as not to cut electric wires, fuel lines, brake lines, etc., check behind and underneath drilling and mounting locations. To keep debris out of your eyes when checking the underside of the vehicle, or when drilling, always wear protective eye wear. Failure to heed this warning will result in death or serious injury.

## - NOTICE -

Any modification or unintended use of this product shall immediately void all manufacturer's warranties. Manufacturer disclaims all liability for injuries to persons or property resulting from any modification to, or unintended use of this product.

## WERNER CO. LIMITED LIFETIME WARRANTY FOR WEATHER GUARD® PRODUCTS

WEATHER GUARD® Products — Limited Lifetime Warranty (Purchased on or after 1/1/2009)

WERNER CO. (the "Manufacturer") warrants to the original purchaser only that WEATHER GUARD® Truck and Van Products (the "WEATHER GUARD® Product") will be free from defects in material and workmanship from the date of purchase and continuing for the expected lifetime of the WEATHER GUARD® Product. A copy of the original sales receipt must be supplied to the Manufacturer at the time a warranty claim is made. This warranty terminates if the original purchaser transfers the WEATHER GUARD® Product to any other person.

### What is Covered

All WEATHER GUARD® Products identified above that are purchased on or after January 1, 2009.

### What We Will Do to Correct Problems

Subject to the limitations and exclusions described in this limited warranty, the Manufacturer will remedy defects in materials or workmanship by providing one of the following remedies at its option and without charge to the original purchaser for parts or labor: (a) repairing the defective portion of the WEATHER GUARD® Product or (b) replacing the entire WEATHER GUARD® Product. In addition, the manufacturer may elect at its option, not to repair or replace the WEATHER GUARD® Product, but rather issue to the original purchaser a refund equal to the purchase price paid for the WEATHER GUARD® Product or a credit to be used toward the purchase of new WEATHER GUARD® Product.

### What is Not Covered

This limited warranty expressly excludes:

- Defects caused by normal wear and tear, cosmetic rust, scratches, accidents, unlawful vehicle operation, or modification to the product, or any types or repair of a WEATHER GUARD® Product other than those authorized or provided by the Manufacturer.
- Defects resulting from conditions beyond the Manufacturer's control including, but not limited to misuse, overloading, or failure to assemble, mount or use the WEATHER GUARD® Product in accordance with the Manufacturer's written instructions or guidelines included with the WEATHER GUARD® Product or made available to the original purchaser.
- Damage to the contents of the box or vehicle.
- TO THE EXTENT PERMITTED BY LAW, IN NO EVENT SHALL THE MANUFACTURER BE LIABLE FOR ANY INCIDENTAL, SPECIAL, INDIRECT, OR CONSEQUENTIAL DAMAGES, INCLUDING ANY ECONOMIC LOSS, WHETHER RESULTING FROM NON-PERFORMANCE, USE, MISUSE OR INABILITY TO USE THE WEATHER GUARD® PRODUCT OR THE MANUFACTURER'S NEGLIGENCE.

### No Other Express Warranty Applies

This Limited Lifetime Warranty is the sole and exclusive warranty for WEATHER GUARD® Products. No employee, agent, dealer, or other person is authorized to alter this warranty or make any other warranty on behalf of WERNER CO.

### Notification Procedures

If the WEATHER GUARD® Product does not conform with the terms of this limited warranty, the original owner must promptly notify the Manufacturer in writing upon discovery of the nonconformity. In order to receive the remedies under this limited warranty, the warranty claim must describe the nature of the nonconformity, and a copy of the original sales receipt, invoice, bill or other proof of purchase must accompany the claim. Repairs or modifications made to the WEATHER GUARD® Product by other than the Manufacturer or its authorized agent will nullify this limited warranty. Coverage under this limited warranty is conditioned at all times upon the owner's compliance with these required notification and repair procedures. Warranty claims must include reciprocal contact information and may be made via certified mail to:

### WERNER CO.

ATTN: Weather Guard® Warranty Claims  
555 Pierce Road, STE 300 • Itasca, IL 60143 USA  
weatherguard.com

If you have any questions, please call toll free at 1-800-456-7865