



PRODUCT GUIDE
GUÍA DE PRODUCTO
GUIDE DE PRODUITS

MODEL NUMBER
NUMÉRO DE MODÈLE
NÚMERO DE MODELO

23307665

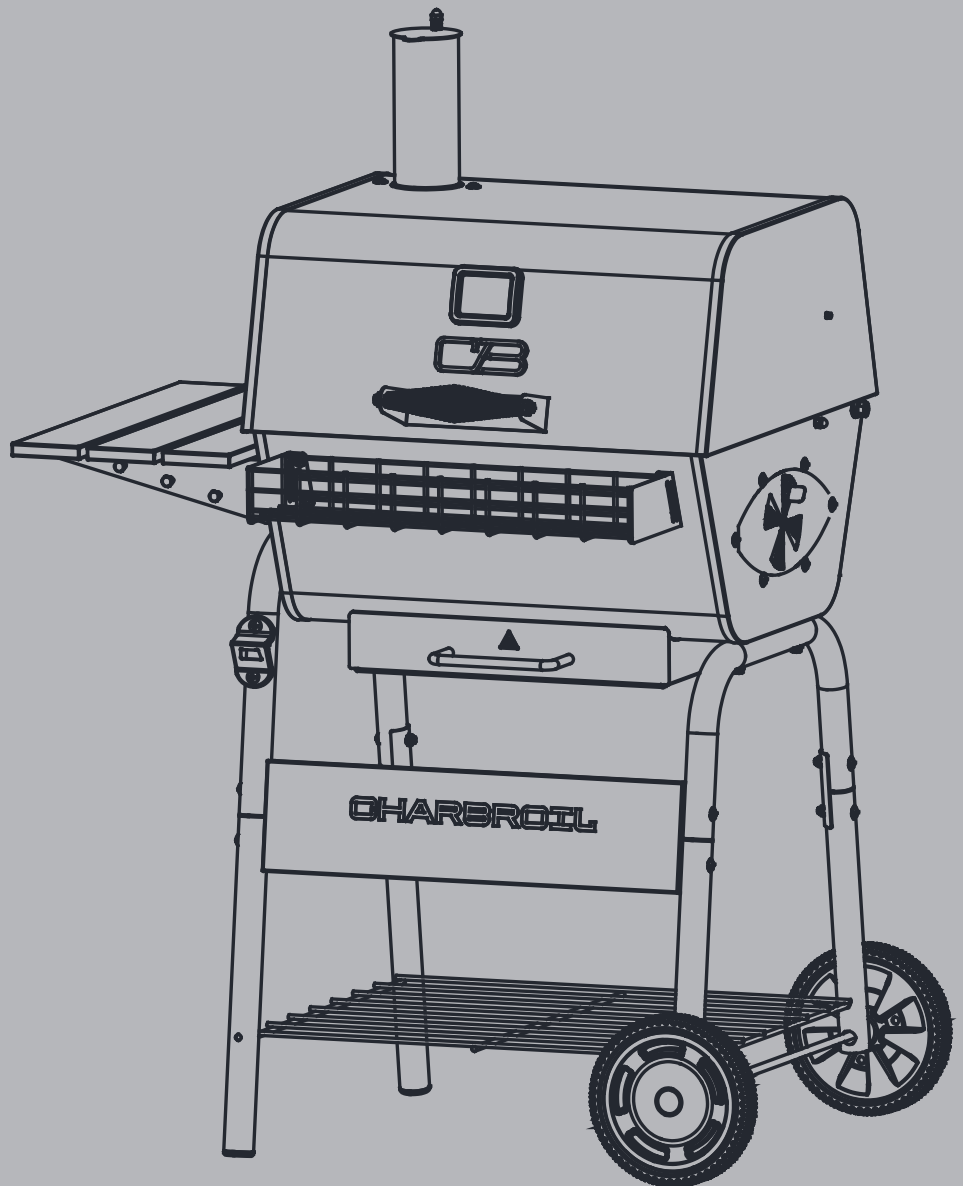
SERIAL NUMBER:
NÚMERO DE SERIE:
NUMÉRO DE SÉRIE:

See rating label on grill for serial number.

El número de serie se encuentra en la etiqueta de especificaciones de la parrilla.

Voir l'étiquette d'évaluation sur le grill pour le numéro de série.

DATE PURCHASED:
FECHA DE COMPRA:
DATE D'ACHAT:



Tools Needed for Assembly:

Adjustable Wrench
Phillips Screwdriver

Herramientas necesarias para el armado:

Llaves regulables
Destornillador Phillips

Outils nécessaires pour l'assemblage:

Clés à molette
Tournevis cruciforme

Need Help? Visit Charbroil.com for video assembly tips. If you'd rather - you can call us at 800-241-7548

Necesita ayuda? Visite Charbroil.com para obtener consejos sobre el montaje de videos. Si prefiere, puede llamarnos al 800-241-7548

Besoin d'aide? Visitez Charbroil.com pour des astuces d'assemblage vidéo. Si vous préférez, vous pouvez nous appeler au 800-241-7548

IMPORTANT SAFETY INFORMATION

THIS INSTRUCTION MANUAL CONTAINS IMPORTANT INFORMATION NECESSARY FOR THE PROPER ASSEMBLY AND SAFE USE OF THE APPLIANCE.

FOLLOW ALL WARNINGS AND INSTRUCTIONS WHEN USING THE APPLIANCE.

INSTALLER/ASSEMBLER:

LEAVE THIS MANUAL WITH CONSUMER.

CONSUMER:

KEEP THIS MANUAL FOR FUTURE REFERENCE.

SAFETY SYMBOLS

DANGER, WARNING, and CAUTION statements are used throughout this Owner's Manual to emphasize critical and important information. Read and follow these statements to help ensure safety and prevent property damage. The statements are defined below.



CAUTION

CAUTION: Indicates a potentially hazardous situation or unsafe practice which, if not avoided, may result in minor or moderate injury.



WARNING

WARNING: Indicates a potentially hazardous situation which, if not avoided, could result in death or serious injury.



DANGER

DANGER: Indicates an imminently hazardous situation which, if not avoided, will result in death or serious injury.



WARNING

- **ATTENTION!** This grill will become very hot, do not move it during operation.
- Do not use indoors! This grill is for outdoor use only. Use the grill in a well-ventilated area.
- **WARNING!** Do not use spirit or petrol for lighting or re-lighting!
- **WARNING!** Keep children and pets away.
- The grill has to be installed on a secure level base prior to use.
- Do not use within 3ft (1m) of any flammable structure or under any combustible surface.
- Ash catcher pan must be fully installed during operation. Failure to properly install could result in hot embers falling from grill.
- Burning of solid fuels produces carbon monoxide, which has no odor and can kill! Therefore, never use this appliance indoors or bring indoors if not fully extinguished.
- After a charcoal fire appears extinguished, unconsumed embers can retain heat for up to 24 hours, and if exposed

to fresh air, can burst into flame unexpectedly. Any such embers outside the firebox of the grill pose a fire hazard and can ignite combustible surfaces such as wooden decks.

- Failure to read and follow instructions for lighting charcoal may result in serious personal injury and/or property damage.
- Always use caution when handling hot coals to prevent injury.
- Always light the fire with the grill lid open.



WARNING

Please read this entire manual before installation and use of this appliance. Failure to follow these instructions could result in property damage, bodily injury, or even death. Contact local building or fire officials about restrictions and installation inspection requirements in your area. Save these instructions.

Carbon monoxide is a colorless, odorless, tasteless gas produced by burning gas, wood, propane, charcoal or other fuel.

- Know the symptoms of carbon monoxide poisoning: headache, dizziness, weakness, nausea, vomiting, sleepiness, and confusion.

SEE OWNERS MANUAL FOR IMPORTANT SAFETY INFORMATION.

- Most surfaces on this unit are hot when in use. Use extreme caution.
- Keep others away from unit.
- Always wear protective clothing to prevent injury.
- Keep children and pets away.
- Do not move this unit during operation.
- Never substitute gasoline, kerosene or alcohol for charcoal starter. In some states, the use of charcoal starter is prohibited by law. In this case, paraffin-based starter cubes can be substituted for charcoal starter.

FAILURE TO READ AND FOLLOW INSTRUCTIONS FOR LIGHTING CHARCOAL MAY RESULT IN SERIOUS PERSONAL INJURY AND OR PROPERTY DAMAGE.

ALWAYS USE CAUTION WHEN HANDLING HOT COALS TO PREVENT INJURY.

ALWAYS LIGHT THE FIRE WITH THE GRILL LID OPEN

Use only authorized replacement parts supplied by manufacturer.

Safety and Care Advice

- Please read the instruction manual before using the grill!
- Follow all warnings and instructions when using the grill. Failure to read and follow the instructions could result in serious personal injury and/or property damage.
- Keep this manual for future reference.
- If you have any queries regarding these instructions, contact your local dealer.
- Do not use the grill unless it's completely assembled and all parts are securely fastened and tightened.
- For residential use only. Do not use for commercial cooking.



WARNING

- Always open lid **BEFORE** opening the charcoal access door to check fire or fuel.
- Always open the ash door slowly. Never attempt to look inside the grill while opening the charcoal door when the grill is in use.
- Failure to follow these instructions could result in injury.
- Unburned gas can accumulate and cause a flash fire if the lid is not opened first.



CAUTION

- Some parts may contain sharp edges! Wear protective gloves if necessary.
- Most surfaces on this unit are hot when in use. Use extreme caution. Do not touch metal parts of the grill until it has completely cooled to avoid burns, unless you are wearing protective gloves.
- **THIS UNIT IS HEAVY! DO NOT** attempt to assemble without a helper.

Operation and Lighting Procedure

- The grill is designed for use with charcoal briquettes or lump charcoal. Do not exceed 2 lbs (0,9 kg) of charcoal.
- Set up or place grill in a safe location.
- The grill shall be heated up and the fuel kept red hot for at least 30 minutes prior to the first cooking.
- Prior to cooking with your grill the first time:
 1. Brush all interior surfaces, including grills and grates, with vegetable oil.
 2. Build a small fire in the charcoal pan.
 3. Close lid after flames subside, position dampers at approximately ¼ turn open. This burn should be sustained for at least 30 minutes.
- Place charcoal into a pyramid-shaped pile in the center of the charcoal pan.
- Light charcoal. Always light the fire with the lid open. Keep lid open for as long as the charcoal burns with flames.
- Never add charcoal lighter fluid to hot or warm coals as flashbacks may occur causing injury.
- After charcoal appears to have a coating of ash and flames have subsided (12-15 minutes), spread coals evenly across charcoal pan. Replace cooking grids and close lid to pre-heat the cooking surface.
- Do not cook before the fuel has a coating of ash.

MAINTENANCE

- Rust can appear on the inside of your grill. Maintaining a light coat of vegetable oil on the interior surfaces will aid in the protection of your grill. Exterior surfaces of the grill may need occasional touch up. We recommend the use of commercially available black high temperature spray paint. **NEVER PAINT THE INTERIOR OF THE GRILL!**
- Frequency of clean up is determined by how often the grill is used.
- Make sure coals are completely extinguished before cleaning inside of the unit. Thoroughly rinse with water and allow to air dry before using again. Wipe out the interior of the unit with a cloth or paper towels. When finished cooking, and the unit has adequately cooled, clean out all remaining ashes. Ashes collect moisture, which can lead to premature rusting and decay.
- If a bristle brush is used to clean any of the cooking surfaces, ensure no loose bristles remain on cooking surfaces prior to grilling. It is not recommended to clean cooking surfaces while grill is hot.

Preparing To Use Your Grill

- Before cooking with your grill, the following steps should be closely followed to both cure the finish and season the interior steel. Failure to properly follow these steps may damage the finish and/or impart metallic flavors to your first foods.
 - Brush all interior surfaces including grills and grates with vegetable cooking oil.
 - Build a small fire on the charcoal grate or pan, being sure not to lay coals against the walls.
 - Close lid, position dampers at approximately one quarter turn open. This burn should be sustained for at least two hours. Begin increasing the temperature by opening the dampers halfway and adding more charcoal. Your grill is now ready for use.
- Rust can appear on the inside of your grill. Maintaining a light coat of vegetable oil on the interior surfaces will aid in the protection of your grill. Exterior surfaces of the grill may need occasional touch up. We recommend the use of commercially available black high temperature spray paint. **NEVER PAINT THE INTERIOR OF THE GRILL!**

Please see information regarding Uncoated Cast Iron Grates below.

First Time Use:

Before using a cast iron grate or other cast iron cooking tool, wash it thoroughly with a mild dishwashing liquid to remove the protective wax coating applied for shipping. Rinse with hot water and dry completely with a soft cloth or paper towel. NEVER ALLOW TO DRAIN DRY OR WASH IN A DISHWASHER. Now season the grates to prevent rust and sticking.

Seasoning:

A solid vegetable shortening is recommended for the initial seasoning. Spread a thin coating of solid vegetable shortening over the entire surface, including all corners, with a paper towel. Do not use salted fats such as butter or margarine.

Preheat grill for 15 minutes; carefully place grates in the grill. Allow the grill to heat grates for 1 to 1 ½ hours. Allow the fire to burn out on its own, and leave cooking grates in grill until they are cool. Your cast iron cooking grates are now ready to use.

To Prevent Rusting:

Re-season your grates frequently, particularly when new. If rust occurs, it is an indication that the grates have not been seasoned enough or the seasoning has been burned off. Clean with a heavy brush. Reapply vegetable shortening and heat as indicated above to re-season the grates.

Maintenance:

Do not do a burn-off after you grill, but rather leave the cooking residues on the grates to keep a protective coating on the cast iron. Do a burn-off just before you grill. The more you use your cast iron grates, the easier the maintenance will be.

- Store in a dry place. If you store your grates for an extended period of time, apply a light coating of vegetable shortening, then wipe dry with a paper towel.

Know When Your Fire is Ready

Successful charcoal grilling depends on a good fire. The general rule for knowing when your coals are ready for grilling is to make sure that 80 percent or more of the coals are ashy gray. Using caution, arrange the hot coals on your charcoal grate based on your desired method of cooking. Here are a few steps you can take to adjust the temperature of your fire:

- If it is too hot, spread the coals out a bit more, which makes the fire less intense.
- Raise or lower the adjustable charcoal grate.
- Partially close the vents in the grill, which reduces the amount of oxygen that feeds the fire.
- Use the indirect grilling method, with coals to either side of drip pan and the food over the pan rather than directly over the coals.
- In the event of a severe flare-up, spray the flames with water from a squirt bottle. Be careful, spraying with water tends to blow ashes around and make a mess.
- Add briquettes 2 or 3 at a time to increase the burn time. Allow 10 minutes for coals to ash over before adding more.

Direct and Indirect Grilling

Direct Grilling - For most grilling, the ignited coals are spread in a single layer under the food. This is called direct grilling and is appropriate for relatively quick-cooking items such as hamburgers, steaks and most seafood. The single layer of coals emits even, steady heat, whether the grill lid is open or closed, and represents the way most people grill. For more control, pile some of the coals on one side of the grill where they will emit intense heat. You can move the food around on the grill, setting it over the very hot coals when you want to sear it or when a thick piece needs to cook a little more quickly. You can also use the adjustable charcoal grate and dampers to control the temperature in your grill.

Indirect Grilling - For items that take longer to cook, you will want to use indirect grilling. This method is for long, slow cooking in a covered grill. For indirect cooking, the coals are piled two or three coals deep on one side of the grill, or divided and piled on two sides. This leaves an empty space next to the coals or between them. Food cooked over indirect heat is often started over direct heat and then moved to the cooler (empty) part of the grill for even, slow cooking. To make the heat as even as possible, construct two piles of coals. It is common to place a metal drip pan in the empty space beside or between the coals, which is filled with water, wine, beer, broth, or a combination. Place the food directly over the drip pan.

This injects a little extra moisture into the cooking environment and also catches dripping juices, which makes clean-up a little easier and reduces the possibility of flare-ups. (Remember to keep a spray bottle filled with water on hand to extinguish any flare-ups.) Once you get used to the indirect method, you may prefer to use it for more grilling tasks. Although it may take a little longer, it is an excellent cooking method and a sure way to prevent the food from burning and to promote even cooking.

Grilling with Wood Chips/Wood Chunks

For a more robust smoke flavor while using charcoal briquettes or lump charcoal, try adding wood chips or several wood chunks to the fire. Wood chunks are available in a variety of natural flavors, and can be used alone or in addition to charcoal. As a general rule, any hardwood that bears a fruit or nut is suitable for cooking. However, different woods have very different tastes. Experiment with different woods to determine your personal favorite, and always use well-seasoned wood. Green or fresh-cut wood can turn food black, and tastes bitter.

Our Recommendations:

Chicken - Alder, Apple, Hickory, Mesquite

Beef - Hickory, Mesquite, Oak

Pork - Fruitwoods, Hickory, Oak

Lamb - Fruitwoods, Mesquite

Veal - Fruitwoods, Grapevines

Seafood - Alder, Mesquite

Vegetables – Mesquite

COOKING TIPS

Building Your Fire

1. Stack charcoal briquettes or wood into a pyramid-shaped pile on top of the charcoal grate. We recommend using 2 pound (approximately 30 briquettes) to start your fire, adding more as needed.
2. If using lighter fluid, a chimney starter, electric starter, or other type of fire starter, light your fire according to the manufacturer's instructions.
3. **Always light the fire with the grill lid open.** Leave lid open until briquettes are fully lit. Failure to do this could trap fumes from charcoal lighter fluid in grill and may result in a flash fire when lid is opened.
4. Never add charcoal lighter fluid to hot or warm coals as flashbacks may occur causing injury.
5. You are ready to begin cooking when the pile of briquettes ashes over and produces a red glow (approximately 12 – 15 minutes).
6. Depending on your cooking method, either leave the briquettes in a pile or spread evenly across the charcoal grate using a long-handled poker.



CAUTION

Read and follow all safety statements, assembly instructions, and use and care directions before attempting to assemble and cook. Some parts may contain sharp edges. Wear protective gloves if necessary.

Grease Fires

- Putting out grease fires by closing the lid is not possible. Grills are well ventilated for safety reasons.
- Do not use water on a grease fire.
- If grill has not been regularly cleaned, a grease fire can occur that may damage the product. Pay close attention while preheating or burning off food residue to insure that a grease fire does not develop.
- The best way to prevent grease fires is regular cleaning of the grill following instructions on General Grill Cleaning and Cleaning The Burner Assembly.

Using pots larger than 6 quarts in capacity could exceed weight limit of the side shelf, resulting in failure of grill cart components.



CAUTION

- **CAUTION:** Appliance may be **HOT**. Use hand protection if necessary.
- Some parts may contain sharp edges! Wear protective gloves if necessary.
- **THIS UNIT IS HEAVY! DO NOT** attempt to assemble without a helper.

USDA Recommended

Internal Cooking Temperatures

Ground Meat	
Beef, Pork, Veal, Lamb.....	160°F
Turkey, Chicken.....	165°F
Fresh Beef, Veal, Lamb	
Medium Rare.....	145°F
(let stand 3 minutes before cutting)	
Medium.....	160°F
Well Done.....	170°F
Poultry	
Chicken & Turkey, whole.....	165°F
Poultry Parts.....	165°F
Duck & Goose.....	165°F
Fresh Pork	
Medium Rare.....	145°F
(let stand 3 minutes before cutting)	
Medium.....	160°F
Well Done.....	170°F

ADVERTENCIA

- ¡**ATENCIÓN!** Esta parrilla se pone muy caliente, no lo mueva durante la operación.
- ¡No lo utilice en interiores! Esta parrilla es sólo para uso en exteriores. Usar únicamente en un área bien ventilada.
- ¡**ADVERTENCIA!** ¡No utilice bebidas alcohólicas o gasolina para el encendido o para volver a encender el fuego! ¡Utilice únicamente encendedores de lumbre que cumplan con EN1860-3!
- ¡**ADVERTENCIA!** Mantenga a los niños y mascotas lejos.
- La parrilla debe ser instalada en una base nivelada y asegurada antes de usarla.
- No la utilice a menos de 1 m de cualquier estructura inflamable o bajo cualquier superficie combustible.
- La bandeja para cenizas debe estar completamente instalada durante la operación. No instalarla correctamente podría resultar en que las brasas calientes se caigan fuera de la parrilla.
- El quemado de combustibles sólidos produce monóxido de carbono, el cual no tiene olor y puede matar. Por lo tanto, nunca utilice este aparato en interiores ni lo transporte al interior si su fuego no está totalmente extinto.
- Después de que un fuego de carbón parece apagado, las brasas no consumidas pueden retener el calor hasta por 24 horas y si se exponen al aire fresco, pueden generar una llama inesperadamente. Cualquiera de esas brasas fuera de la cámara de combustión de la parrilla suponen un peligro de incendio y pueden encender superficies combustibles como tarimas de madera.
- No leer ni seguir las instrucciones para el encendido del carbón podría resultar en lesiones personales graves y/o daños materiales.
- Siempre tenga cuidado cuando manipule carbón caliente para evitar lesiones.
- Siempre encienda el fuego con la tapa de la parrilla abierta.

PRECAUCIÓN

- Algunas partes pueden tener bordes afilados! Use protectorguantes si es necesario.
- La mayoría de las superficies de esta unidad están calientes cuando está en uso. Utilizar extrema precaución. No toque las partes metálicas de la barbacoa hasta que se haya enfriado por completo para evitar quemaduras, a menos que están usando guantes de protección.

Consejos de seguridad y cuidado

- ¡Lea el manual de instrucciones antes de usar la parrilla!
- Siga todas las advertencias e instrucciones cuando use la parrilla. No leer ni seguir todas las instrucciones podría resultar en lesiones personales graves y/o daños materiales.
- Conserve este manual para referencia en el futuro.
- Si tiene cualquier pregunta relacionada con estas instrucciones, póngase en contacto con su distribuidor local.
- No use la parrilla a menos que esté completamente montada y todas sus piezas estén firmemente sujetadas y apretadas.
- Sólo para uso residencial. No usar para cocina comercial.

Procedimiento de uso y encendido

Coloque o posicione la parrilla en un lugar seguro. La parrilla se calienta debe calentarse y el combustible mantenido al rojo vivo durante al menos 30 minutos antes de la primera cocción.

Antes de la cocción con su parrilla por primera vez:

- a. Cepille todas las superficies interiores, incluidas grillas y parrillas, con aceite vegetal.
- b. Haga un pequeño fuego en la bandeja de carbón.
- c. Cierre la tapa después de que las llamas desaparecen, coloque los amortiguadores a una apertura de aproximadamente 1/2 giro. Este proceso de quemado debe mantenerse durante al menos 30 minutos.

Coloque el carbón en una pila en forma de pirámide en el centro de la bandeja de carbón.

Encienda el carbón de leña con un iniciador de fuego adecuado que cumpla con EN1860-3. Siempre encienda el fuego con la tapa abierta. Mantenga la tapa abierta mientras que el carbón esté en llamas.

Nunca agregue líquido encendedor de carbón vegetal a carbón caliente o tibio ya que el retroceso de la llama podría generar lesiones.

Después de que el carbón parezca tener una capa de ceniza y que las llamas han disminuido (12-15 minutos), expanda los carbones uniformemente a través de la bandeja de carbón.

Vuelva a colocar las rejillas de cocción y cierre la tapa para precalentar la superficie de cocción.

No cocine antes de que el combustible tenga una capa de ceniza.

ADVERTENCIA

- Siempre abra la tapa ANTES de abrir la puerta de acceso al carbón para revisar el fuego o el combustible.
- Siempre abra lentamente la trampilla de la ceniza. Nunca intente observar el interior de la parrilla al abrir la puerta del carbón cuando el asador esté en uso.
- No seguir estas instrucciones podría resultar en lesiones físicas. El gas sin quemar puede acumularse y causar un incendio si no se abre la tapa primero.

Mantenimiento

Puede aparecer óxido en el interior de su parrilla. Mantener una capa ligera de aceite vegetal en las superficies interiores ayudará en la protección de su parrilla. Las superficies exteriores de la parrilla podrían necesitar un retoque ocasional. Recomendamos el uso de cualquier pintura negra en aerosol para altas temperaturas disponible en el mercado. ¡**NUNCA PINTE EL INTERIOR DE LA PARRILLA!** La frecuencia de limpieza depende de qué tanto se utiliza la parrilla. Asegúrese de que los carbones estén totalmente extintos antes de limpiar el interior de la unidad. Enjuague meticulosamente con agua y seque al aire antes de volver a usar. Limpie el interior de la unidad con un paño o papel toalla. Cuando termine de cocinar, y la unidad se haya enfriado adecuadamente, limpie y retire todas las cenizas restantes. Las cenizas absorben humedad, lo que puede conducir una oxidación y desgaste prematuros.

Si usa un cepillo con cerdas para limpiar cualquiera de las superficies de cocción, asegúrese que no queden cerdas sueltas en las superficies de cocción antes de cocinar. No se recomienda limpiar las superficies de cocción cuando la parrilla esté caliente.

Preparación para usar su parrilla

- Antes de cocinar con su parrilla, se deben seguir de cerca los siguientes pasos para curar el acabado y curar el acero interior. Si no sigue correctamente estos pasos, puede dañar el acabado y/o impartir sabores metálicos a sus primeros alimentos..
 - Cepille todas las superficies interiores, incluidas parrillas y rejillas, con aceite vegetal para cocinar.
 - Encienda un pequeño fuego en la rejilla o sartén para carbón, asegurándose de no dejar brasas contra las paredes.
 - Cierre la tapa, coloque los amortiguadores abiertos aproximadamente un cuarto de vuelta. Esta quemadura debe mantenerse durante al menos dos horas. Comience a aumentar la temperatura abriendo las compuertas hasta la mitad y agregando más carbón. Su parrilla ahora está lista para usar
- El óxido puede aparecer en el interior de su parrilla. Mantener una capa ligera de aceite vegetal en las superficies interiores ayudará a proteger su parrilla. Las superficies exteriores de la parrilla pueden necesitar retoques ocasionales. Recomendamos el uso de pintura en aerosol negra de alta temperatura disponible comercialmente. **¡NUNCA PINTE EL INTERIOR DE LA PARRILLA!**

Consulte la información sobre las rejillas de hierro fundido sin recubrimiento a continuación.

Uso por primera vez:

Antes de usar una rejilla de hierro fundido u otra herramienta de cocina de hierro fundido, lávela bien con un líquido lavavajillas suave para eliminar la capa protectora de cera que se aplicó para el envío. Enjuague con agua caliente y seque completamente con un paño suave o una toalla de papel. **NUNCA DEJE ESCAPAR EN SECO O LAVAR EN UN LAVAVAJILLAS.** Ahora sazone las rejillas para evitar que se oxiden y se peguen.

Condimento:

Se recomienda una manteca vegetal sólida para el condimento inicial. Extienda una capa delgada de manteca vegetal sólida sobre toda la superficie, incluidas todas las esquinas, con una toalla de papel. No use grasas saladas como mantequilla o margarina. Precaliente la parrilla por 15 minutos; Coloque con cuidado las rejillas en la parrilla. Permita que la parrilla caliente las parrillas durante 1 a 1 ½ horas. Deje que el fuego se apague por sí solo y deje las rejillas de cocción en la parrilla hasta que se enfríen. Sus parrillas de cocción de hierro fundido ya están listas para usar.

Para evitar la oxidación:

Vuelva a sazonar sus rejillas con frecuencia, especialmente cuando son nuevas. Si se oxida, es una indicación de que las rejillas no se curaron lo suficiente o que el curado se quemó. Limpiar con un cepillo pesado. Vuelva a aplicar manteca vegetal y caliente como se indicó anteriormente para volver a sazonar las rejillas.

Mantenimiento:

No haga una quema después de asar, sino que deje los residuos de cocción en las rejillas para mantener una capa protectora sobre el hierro fundido. Haga una quema justo antes de asar. Cuanto más utilice sus rejillas de hierro fundido, más fácil será el mantenimiento.

- Almacene en un lugar seco. Si almacena sus rejillas durante un período de tiempo prolongado, aplique una capa ligera de manteca vegetal y luego séquelas con una toalla de papel.

Sepa cuándo su fuego está listo

Una parrilla de carbón exitosa depende de un buen fuego. La regla general para saber cuándo las brasas están listas para asar es asegurarse de que el 80 por ciento o más de las brasas estén gris ceniza. Con precaución, coloque las brasas calientes en su parrilla de carbón según el método de cocción que desee. Aquí hay algunos pasos que puede seguir para ajustar la temperatura de su fuego:

- Si hace demasiado calor, extienda un poco más las brasas, lo que hace que el fuego sea menos intenso.
- Suba o baje la parrilla de carbón ajustable.
- Cierre parcialmente las rejillas de ventilación de la parrilla, lo que reduce la cantidad de oxígeno que alimenta el fuego.
- Utilice el método de asado indirecto, con brasas a cada lado de la bandeja recogegotas y la comida sobre la bandeja en lugar de directamente sobre las brasas.
- En caso de un brote severo, rocíe las llamas con agua de una botella con atomizador. Tenga cuidado, rociar con agua tiende a arrojar cenizas y hacer un desastre.
- Agregue briquetas 2 o 3 a la vez para aumentar el tiempo de combustión. Espere 10 minutos para que las brasas se conviertan en cenizas antes de agregar más.

Asado Directo e Indirecto

Asado Directo - Para la mayoría de las parrillas, las brasas encendidas se distribuyen en una sola capa debajo de la comida. Esto se denomina asado directo y es adecuado para alimentos de cocción relativamente rápida, como hamburguesas, bistecs y la mayoría de los mariscos. La capa única de carbón emite un calor uniforme y constante, ya sea que la tapa de la parrilla esté abierta o cerrada, y representa la forma en que la mayoría de la gente cocina a la parrilla. Para un mayor control, apile algunos de los carbones en un lado de la parrilla donde emitirán un calor intenso. Puede mover la comida en la parrilla, colocándola sobre las brasas muy calientes cuando quiera dorarla o cuando una pieza gruesa necesite cocinarse un poco más rápido. También puede usar la rejilla de carbón ajustable y los amortiguadores para controlar la temperatura de su parrilla.

Asado indirecto- Para los artículos que tardan más en cocinarse, querrá usar la parrilla indirecta. Este método es para una cocción lenta y prolongada en una parrilla cubierta. Para la cocción indirecta, las brasas se apilan en dos o tres brasas de profundidad en un lado de la parrilla, o se dividen y apilan en dos lados. Esto deja un espacio vacío al lado de las brasas o entre ellas. Los alimentos que se cocinan con calor indirecto a menudo comienzan con calor directo y luego se mueven a la parte más fría (vacía) de la parrilla para una cocción uniforme y lenta. Para que el calor sea lo más parejo posible, construye dos montones de brasas. Es común colocar una bandeja de goteo de metal en el espacio vacío al lado o entre las brasas, que se llena con agua, vino, cerveza, caldo o una combinación. Coloque la comida directamente sobre la bandeja de goteo.

Esto inyecta un poco más de humedad en el ambiente de cocción y también atrapa los jugos que gotean, lo que facilita un poco la limpieza y reduce la posibilidad de brotes. (Recuerde tener a mano una botella rociadora llena de agua para extinguir cualquier llamarada). Una vez que se acostumbre al método indirecto, es posible que prefiera usarlo para más tareas de parrilla. Aunque puede tardar un poco más, es un excelente método de cocción y una forma segura de evitar que los alimentos se quemem y promover una cocción uniforme.

Asar a la parrilla con virutas de madera/trozos de madera

Para obtener un sabor ahumado más fuerte al usar briquetas de carbón o carbón en trozos, intente agregar astillas de madera o varios trozos de madera al fuego. Los trozos de madera están disponibles en una variedad de sabores naturales y se pueden usar solos o además del carbón. Como regla general, cualquier madera dura que produzca una fruta o nuez es apta para cocinar. Sin embargo, diferentes maderas tienen gustos muy diferentes. Experimente con diferentes maderas para determinar su favorita personal y siempre use madera bien sazonada. La madera verde o recién cortada puede volver negra la comida y tener un sabor amargo.

Nuestras recomendaciones:

Pollo: aliso, manzana, nogal, mezquite

Carne de res: nogal americano, mezquite, roble

Carne de cerdo: maderas frutales, nogal americano, roble

Cordero - Fruitwoods, Mesquite

Ternera - Fruitwoods, Grapevines

Mariscos - Aliso, Mesquite

Vegetales - Mezquite

CONSEJOS DE COCINA

Construyendo tu fuego

1. Apile las briquetas de carbón o la madera en forma de pirámide encima de la rejilla para carbón. Recomendamos usar 2 libras (aproximadamente 30 briquetas) para encender el fuego, agregando más según sea necesario.
2. Si usa líquido para encendedores, un encendedor de chimenea, un encendedor eléctrico u otro tipo de encendedor, encienda el fuego de acuerdo con las instrucciones del fabricante.
3. **Siempre encienda el fuego con la tapa de la parrilla abierta.**
4. Deje la tapa abierta hasta que las briquetas estén completamente encendidas. Si no lo hace, los vapores del líquido para encendedor de carbón podrían quedar atrapados en la parrilla y podría provocar un incendio repentino cuando se abre la tapa.
5. Nunca agregue líquido para encendedores de carbón a carbones calientes o tibios, ya que pueden producirse retrocesos de llama que causen lesiones.
6. Está listo para comenzar a cocinar cuando la pila de briquetas se convierte en ceniza y produce un brillo rojo (aproximadamente 12 a 15 minutos). Dependiendo de su método de cocción, deje las briquetas en una pila o extiéndalas uniformemente sobre la parrilla de carbón con un atizador de mango largo.



PRECAUCIÓN

Lea y siga todas las declaraciones de seguridad, las instrucciones de montaje y las instrucciones de uso y cuidado antes de intentar montar y cocinar. Algunas piezas pueden contener bordes afilados. Use guantes protectores si es necesario.

Incendios de grasa

- No es posible apagar incendios de grasa cerrando la tapa. Las parrillas están bien ventiladas por razones de seguridad.
- No use agua en un fuego de grasa. Se pueden producir lesiones personales. Si se desarrolla un fuego de grasa, cierre las perillas y el tanque de LP.
- Si la parrilla no se ha limpiado regularmente, puede ocurrir un incendio de grasa que puede dañar el producto. Preste mucha atención al precalentar o quemar los residuos de alimentos para asegurarse de que no se desarrolle un incendio por grasa.
- La mejor manera de prevenir incendios provocados por grasa es limpiar regularmente la parrilla siguiendo las instrucciones de Limpieza general de la parrilla y Limpieza del conjunto del quemador.

El uso de ollas de más de 6 cuartos de galón de capacidad podría exceder el límite de peso del estante lateral, lo que provocaría la falla de los componentes del carro de la parrilla.



PRECAUCIÓN

- **PRECAUCIÓN:** El aparato puede estar CALIENTE. Use protección para las manos si es necesario.
- ¡Algunas piezas pueden contener bordes afilados! Use guantes protectores si es necesario.
- **¡ESTA UNIDAD ES PESADA!** NO intente ensamblar sin un ayudante.

Recomendadas por USDA

Temperaturas internas de cocción

Carnes molidas	
Carne de vaca, cerdo, ternera, cordero.....	160°F
Pavo, pollo.....	165°F
Carne fresca de vaca, ternera, cordero	
Poco cocido.....	145°F
(con 3 minutos de reposo)	
Medio cocido.....	160°F
Bien cocido.....	170°F
Aves de corral	
Pollo y pavo, entero.....	165°F
Trozos de ave.....	165°F
Pato y ganso.....	165°F
Carne fresca de cerdo	
Poco cocido.....	145°F
(con 3 minutos de reposo)	
Medio cocido.....	160°F
Bien cocido.....	170°F

Procédure d'allumage et fonctionnement



AVERTISSEMENT



- **Attention !** Ce barbecue deviendra très chaud, ne le déplacez pas pendant qu'il est en marche.
- Ne pas utiliser à l'intérieur ! Ce barbecue est destiné à un usage extérieur uniquement. Utilisez le barbecue uniquement dans une zone bien ventilée.
- **ATTENTION !** N'utilisez pas d'essence ou de pétrole pour l'allumer ou le rallumer ! Utilisez uniquement des allume-feux conformes de la norme EN1860-3 !
- **ATTENTION !** Tenez les enfants et les animaux à l'écart
- Le barbecue doit être installé sur une base sûre avant d'être utilisé.
- Ne pas utiliser à moins d'1m de toute structure inflammable ou sous une surface combustible.
- Un bac à cendres doit être installé pendant le fonctionnement. Une mauvaise installation pourrait entraîner la chute de braises chaudes du barbecue.
- Brûler des combustibles solides crée du monoxyde de carbone, un gaz inodore et potentiellement mortel ! Par conséquent, n'utilisez jamais cet appareil à l'intérieur et ne l'amenez jamais à l'intérieur s'il n'est pas complètement éteint.
- Bien qu'un feu de charbon semble éteint, des braises non consommées peuvent retenir la chaleur jusqu'à 24 heures, et elles peuvent s'embraser de manière inattendue si elles sont exposées à de l'air frais. De telles braises hors de la chambre de combustion du barbecue représentent un risque d'incendie et peuvent enflammer des surfaces combustibles comme des bureaux en bois.
- Ne pas lire et ne pas suivre les instructions concernant l'allumage du charbon peut entraîner de sérieux dégâts corporels et/ou matériels.
- Soyez toujours prudent lorsque vous manipulez des braises chaudes pour éviter toute blessure.
- Allumez toujours le feu avec le couvercle du barbecue ouvert.



AVERTISSEMENT



- Certaines parties peuvent contenir des bords tranchants ! Portez des gants protecteurs si nécessaire.
- La plupart des surfaces de cet appareil sont chaudes lorsqu'il est en cours d'utilisation. Soyez extrêmement prudent. Ne touchez pas les parties métalliques du barbecue avant qu'il ne soit complètement refroidi afin d'éviter les brûlures, à moins que vous ne portiez des gants de protection.

Conseils de sécurité

- Veuillez lire le manuel d'instructions avant d'utiliser le barbecue !
- Suivez toutes les instructions et précautions en utilisant le barbecue. Ne pas lire et ne pas suivre les instructions peut entraîner de sérieux dégâts corporels ou matériels.
- Conservez ce manuel pour une consultation future.
- Si vous avez des questions concernant ces instructions, contactez votre fournisseur local.
- N'utilisez pas le barbecue s'il n'est pas complètement monté et si toutes les pièces ne sont pas fixées et serrées de façon adéquate.
- Usage résidentiel uniquement. Ne pas utiliser pour faire de la cuisine commerciale.

- Installez ou placez le barbecue dans un endroit sûr.
- Le barbecue doit être chauffé et le combustible doit rester rougeoyant et chaud pendant au moins 30 minutes avant la première cuisson.
- Avant de commencer la cuisson au grill la première fois :
 - a. Brossez toutes les surfaces internes, dont les grilles et plaques de cuisson, avec de l'huile végétale.
 - b. Faites un petit feu dans le bac à charbon.
 - c. Fermez le couvercle une fois que les flammes diminuent, positionnez les clapets à environ 1/4 d'ouverture. Ce feu doit tenir au moins 30 minutes.
- 1. Placez le charbon en une pile en forme de pyramide au centre du bac à charbon.
- 2. Allumez le charbon avec un allume-feu adéquat conforme à la norme EN1860-3. Allumez toujours le feu avec le couvercle ouvert. Gardez le couvercle ouvert tant que le charbon brûle avec des flammes.
- 3. N'ajoutez jamais d'allume-feu liquide pour chauffer ou brûler le charbon, des retours de flammes étant possibles et susceptibles de causer des blessures.
- 4. Une fois que le charbon semble être recouvert de cendres et que les flammes se sont calmées (12-15 minutes), répandez les braises de façon égale dans le bac à charbon.
- 5. Remplacez les grilles de cuisson et fermez le couvercle pour préchauffer la surface de cuisson.
- 6. Ne faites rien cuire tant que le combustible n'est pas recouvert de cendres.



AVERTISSEMENT



- Ouvrez toujours le couvercle AVANT d'ouvrir la porte d'accès au charbon pour vérifier le feu ou le combustible.
- Ouvrez toujours lentement la porte du bac à cendres. N'essayez jamais de regarder à l'intérieur de votre barbecue lorsque vous ouvrez la porte du bac à charbon et que le barbecue est en cours d'utilisation.
- Ne pas respecter ces instructions peut entraîner des blessures.
- Du gaz non brûlé peut s'accumuler et causer un feu spontané si le couvercle n'est pas ouvert d'abord.

Entretien

De la rouille peut apparaître à l'intérieur de votre barbecue. Laisser une mince couche d'huile végétale sur les surfaces internes aidera à protéger votre barbecue. Les surfaces extérieures du barbecue peuvent nécessiter quelques retouches occasionnelles. Nous recommandons l'utilisation d'un spray de peinture haute température noir disponible sur le marché. **NE PEIGNEZ JAMAIS L'INTÉRIEUR DU BARBECUE !** La fréquence de nettoyage est relative à la fréquence d'utilisation.

Assurez-vous que les braises sont complètement éteintes avant de nettoyer l'intérieur de l'appareil. Rincez abondamment avec de l'eau et laissez sécher à l'air libre avant une nouvelle utilisation. Nettoyez l'intérieur de l'appareil avec un chiffon ou des serviettes en papier. Lorsque la cuisson est terminée, et que l'appareil a refroidi de façon adéquate, nettoyez toutes les cendres restantes. Les cendres attirent la moisissure, ce qui peut conduire à une rouille et une détérioration prématurées.

Si une brosse à poils souples est utilisée pour nettoyer l'une des surfaces de cuisson, assurez-vous qu'aucun poil ne reste sur les surfaces de cuisson avant d'utiliser le barbecue. Il n'est pas recommandé de nettoyer les surfaces de cuisson pendant que le barbecue est chaud.

Préparation à l'utilisation de votre grill

Avant de cuisiner avec votre grill, les étapes suivantes doivent être suivies de près pour durcir la finition et assaisonner l'acier intérieur. Le non-respect de ces étapes peut endommager la finition et/ou donner des saveurs métalliques à vos premiers aliments..

- Badigeonnez toutes les surfaces intérieures, y compris les grilles et les grilles, avec de l'huile de cuisson végétale.
- Construisez un petit feu sur la grille ou la poêle à charbon, en veillant à ne pas poser de braises contre les murs.
- Fermer le couvercle, positionner les registres à environ un quart de tour d'ouverture.
- Cette brûlure doit être soutenue pendant au moins deux heures. Commencez à augmenter la température en ouvrant les registres à moitié et en ajoutant plus de charbon de bois. Votre grill est maintenant prêt à être utilisé.
- De la rouille peut apparaître à l'intérieur de votre grill. Le maintien d'une légère couche d'huile végétale sur les surfaces intérieures aidera à la protection de votre grill. Les surfaces extérieures du grill peuvent nécessiter des retouches occasionnelles. Nous recommandons l'utilisation de peinture en aérosol noire haute température disponible dans le commerce. **NE JAMAIS PEINDRE L'INTÉRIEUR DU GRIL !**

Veillez consulter les informations concernant les grilles en fonte non revêtues ci-dessous.

Première utilisation :

Première utilisation : avant d'utiliser une grille en fonte ou un autre outil de cuisson en fonte, lavez-la soigneusement avec un liquide vaisselle doux pour enlever la couche de cire protectrice appliquée pour l'expédition. Rincer à l'eau chaude et sécher complètement avec un chiffon doux ou une serviette en papier. **NE JAMAIS LAISSER VIDANGER À SEC OU LAVER AU LAVE-VAISSELLE.** Assaisonnez maintenant les grilles pour éviter la rouille et le collage.

Assaisonnement:

Un shortening végétal solide est recommandé pour l'assaisonnement initial. Étalez une fine couche de shortening végétal solide sur toute la surface, y compris tous les coins, avec une serviette en papier. N'utilisez pas de matières grasses salées comme le beurre ou la margarine. Préchauffer le grill pendant 15 minutes; placez soigneusement les grilles dans le grill. Laissez le grill chauffer les grilles pendant 1h à 1h30. Laissez le feu s'éteindre tout seul et laissez les grilles de cuisson dans le grill jusqu'à ce qu'elles soient froides. Vos grilles de cuisson en fonte sont maintenant prêtes à l'emploi.

Pour éviter la rouille :

Assaisonnez fréquemment vos grilles, en particulier lorsqu'elles sont neuves. Si de la rouille apparaît, c'est une indication que les grilles n'ont pas été suffisamment assaisonnées ou que l'assaisonnement a été brûlé. Nettoyer avec une brosse épaisse. Réappliquez de la graisse végétale et chauffez comme indiqué ci-dessus pour réassaisonner les grilles.

Entretien:

Ne faites pas de brûlage après avoir grillé, mais laissez plutôt les résidus de cuisson sur les grilles pour garder un revêtement protecteur sur la fonte. Faites un brûlage juste avant de griller. Plus vous utiliserez vos grilles en fonte, plus l'entretien sera facile.

Entreposer dans un endroit sec. Si vous stockez vos grilles pendant une période prolongée, appliquez une légère couche de shortening végétal, puis essuyez avec une serviette en papier.

Sachez quand votre feu est prêt

Une cuisson au charbon de bois réussie dépend d'un bon feu. La règle générale pour savoir quand vos charbons sont prêts à griller est de s'assurer que 80 % ou plus des charbons sont gris cendré. En faisant preuve de prudence, disposez les charbons ardents sur votre grille à charbon en fonction de la méthode de cuisson souhaitée. Voici quelques étapes que vous pouvez suivre pour ajuster la température de votre feu : If it is too hot, spread the coals out a bit more, which makes the fire less intense.

- Soulevez ou abaissez la grille à charbon réglable.
- Fermez partiellement les événements du grill, ce qui réduit la quantité d'oxygène qui alimente le feu.
- Utilisez la méthode de cuisson indirecte, avec des charbons de chaque côté de la lèchefrite et les aliments au-dessus de la lèchefrite plutôt que directement sur les charbons.
- En cas de flambée violente, arrosez les flammes avec de l'eau provenant d'un vaporisateur. Attention, la pulvérisation d'eau a tendance à souffler les cendres et à faire des dégâts.
- Ajoutez des briquettes 2 ou 3 à la fois pour augmenter le temps de combustion. Attendez 10 minutes pour que les charbons cendrent avant d'en rajouter.

Grillades directes et indirectes

Grillade direct - Pour la plupart des grillades, les charbons enflammés sont répartis en une seule couche sous les aliments. C'est ce qu'on appelle le grill direct et convient aux aliments à cuisson relativement rapide tels que les hamburgers, les steaks et la plupart des fruits de mer. La couche unique de charbon émet une chaleur uniforme et constante, que le couvercle du grill soit ouvert ou fermé, et représente la façon dont la plupart des gens grillent. Pour plus de contrôle, empilez certains des charbons sur un côté du grill où ils émettront une chaleur intense. Vous pouvez déplacer les aliments sur le grill, en les plaçant sur les braises très chaudes lorsque vous souhaitez les saisir ou lorsqu'un morceau épais doit cuire un peu plus rapidement. Vous pouvez également utiliser la grille à charbon réglable et les amortisseurs pour contrôler la température de votre grill.

Grillades indirectes - Pour les articles qui prennent plus de temps à cuire, vous voudrez utiliser le grill indirect. Cette méthode est pour une cuisson longue et lente dans un grill couvert. Pour la cuisson indirecte, les charbons sont empilés à deux ou trois charbons de profondeur sur un côté du grill, ou divisés et empilés sur deux côtés. Cela laisse un espace vide à côté des charbons ou entre eux. Les aliments cuits à la chaleur indirecte sont souvent démarrés à la chaleur directe, puis déplacés vers la partie la plus froide (vide) du grill pour une cuisson lente et uniforme. Pour rendre la chaleur aussi uniforme que possible, construisez deux tas de charbons. Il est courant de placer une lèchefrite en métal dans l'espace vide à côté ou entre les braises, qui est remplie d'eau, de vin, de bière, de bouillon ou d'une combinaison. Placez les aliments directement sur la lèchefrite.

Cela injecte un peu d'humidité supplémentaire dans l'environnement de cuisson et récupère également les jus qui s'écoulent, ce qui facilite un peu le nettoyage et réduit le risque de flambées. (N'oubliez pas de garder un flacon pulvérisateur rempli d'eau à portée de main pour éteindre toute poussée.) Une fois que vous vous serez habitué à la méthode indirecte, vous préférez peut-être l'utiliser pour plus de tâches de grillade. Bien que cela puisse prendre un peu plus de temps, c'est une excellente méthode de cuisson et un moyen sûr d'éviter que les aliments ne brûlent et de favoriser une cuisson homogène.

Griller avec des copeaux de bois/morceaux de bois

Pour une saveur de fumée plus robuste tout en utilisant des briquettes de charbon de bois ou du charbon de bois en morceaux, essayez d'ajouter des copeaux de bois ou plusieurs morceaux de bois au feu. Les morceaux de bois sont disponibles dans une variété de saveurs naturelles et peuvent être utilisés seuls ou en plus du charbon de bois. En règle générale, tout bois dur qui porte un fruit ou une noix convient à la cuisson. Cependant, différents bois ont des goûts très différents. Expérimentez avec différents bois pour déterminer votre favori personnel et utilisez toujours du bois bien séché. Le bois vert ou fraîchement coupé peut noircir les aliments et avoir un goût amer.

Nos recommandations:

Poulette -Aulne, Pommier, Hickory, Mesquite

Bœuf - Hickory, Mesquite, Chêne

Porc - Bois fruitiers, Hickory, Chêne

Agneau - Bois fruitiers, Mesquite

Veau - Bois fruitiers, Vignes

Fruit de mer - Aulne, Mesquite

Légumes – Mesquite

CONSEILS DE CUISINE

Construire votre feu

- Empilez des briquettes de charbon de bois ou du bois en un tas en forme de pyramide au-dessus de la grille à charbon. Nous vous recommandons d'utiliser 2 livres (environ 30 briquettes) pour démarrer votre feu, en ajoutant plus au besoin.
- Si vous utilisez de l'essence à briquet, un allume-feu, un allume-feu électrique ou un autre type d'allume-feu, allumez votre feu conformément aux instructions du fabricant.
- Allumez toujours le feu avec le couvercle du grill ouvert.**
Laissez le couvercle ouvert jusqu'à ce que les briquettes soient complètement allumées. Le non-respect de cette consigne pourrait piéger les vapeurs du liquide d'allumage du charbon de bois dans le grill et provoquer un incendie instantané lorsque le couvercle est ouvert.
- N'ajoutez jamais de liquide pour allume-charbon à des charbons chauds ou tièdes car des retours de flamme peuvent se produire et causer des blessures.
- Vous êtes prêt à commencer la cuisson lorsque le tas de briquettes se couvre de cendres et produit une lueur rouge (environ 12 à 15 minutes).
- Selon votre méthode de cuisson, laissez les briquettes en tas ou répartissez-les uniformément sur la grille à charbon à l'aide d'un tisonnier à long manche.



AVERTISSEMENT

Lisez et suivez toutes les consignes de sécurité, les instructions d'assemblage et les instructions d'utilisation et d'entretien avant d'essayer d'assembler et de cuisiner. Certaines pièces peuvent contenir des arêtes vives. Porter des gants de protection si nécessaire.

Feux de graisse

Il n'est pas possible d'éteindre les feux de graisse en fermant le couvercle. Les grils sont bien ventilés pour des raisons de sécurité.

- Ne pas utiliser d'eau sur un feu de graisse. Des blessures personnelles peuvent en résulter.
- Si un feu de graisse se développe, fermez les boutons et le réservoir de GPL.
- Si le grill n'a pas été régulièrement nettoyé, un feu de graisse peut se produire et endommager le produit. Portez une attention particulière lors du préchauffage ou de la combustion des résidus alimentaires pour vous assurer qu'un feu de graisse ne se développe pas.
- La meilleure façon de prévenir les feux de graisse est de nettoyer régulièrement le grill en suivant les instructions sur le nettoyage général du grill et le nettoyage de l'assemblage du brûleur.

L'utilisation de casseroles d'une capacité supérieure à 6 pintes pourrait dépasser la limite de poids de la tablette latérale, entraînant une défaillance des composants du chariot du grill.



AVERTISSEMENT






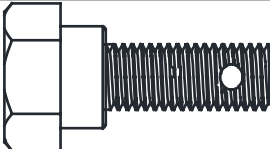

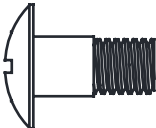
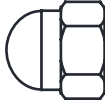
- ATTENTION** : L'appareil peut être **CHAUD**. Utiliser une protection des mains si nécessaire.
- Certaines pièces peuvent contenir des arêtes vives ! Porter des gants de protection si nécessaire.
- CET APPAREIL EST LOURD ! NE PAS** essayer d'assembler sans aide.

Températures de cuisson internes

Recommandées par l'USDA

Viande hachée	
Bœuf, porc, veau, agneau.....	160 °F
Dinde, poulet.....	165 °F
Bœuf, veau, agneau frais	
Mi-saignant.....	145 °F (laisser reposer 3 minutes avant de couper)
À point.....	160 °F
Bien cuit.....	170 °F
Volaille	
Poulet et dinde entiers.....	165 °F
Morceaux de volaille.....	165 °F
Canard et oie.....	165 °F
De Porc Fresh	
Mi-saignant.....	145 °F (laisser reposer 3 minutes avant de couper)
À point.....	160 °F
Bien cuit.....	170 °F

HARDWARE LIST

KEY	DESCRIPTION	IMAGE	QUANTITY
A	1/4-20×1/2" Screw		17
B	1/4-20×1 1/5" Screw		12
C	1/4-20 Flange Nut		26
D	1/4-20 Locking Nut		1
E	Fine Hair pin		4
F	Hinge shaft screw		2
G	Coarse Hair pin		2
H	Shoulder Bolt		2
J	Round nut		2

REPLACEMENT PARTS LIST

Key	Qty	Description
1	1	TOP LID
2	1	LOGO PLATE
3	1	TEMPERATURE GAUGE
4	1	SMOKE STACK TUBE
5	1	LID HANDLE
6	1	SWINGAWAY GRID
7	3	COOKING GRATE
8	1	GRATE LIFTER
9	1	FIREBOX
10	1	SIDE PLATE, FIREBOX DAMPER
11	1	FIRE BOX DAMPER
12	1	FIRE GRATE
13	1	ASH PAN
14	1	ASH PAN SUPPORT
15	1	ASH PAN HANDLE
16	2	FIRE GRATE HANGER
17	1	SIDE SHELF
18	1	CONDIMENT BASKET
19	3	TOOL HOOK

Key	Qty	Description
20	1	SUPPORT LEG, LEFT
21	1	SUPPORT LEG, RIGHT
22	2	LEG, LONG W/ CAP
23	2	LEG, SHORT, F/ WHEEL
24	2	LEG TIE BRACKET
25	2	LEG CAP
26	1	FRONT PANEL
27	1	BOTTOM SHELF WIRE
28	1	AXLE F/ WHEEL
29	1	BOTTLE OPENER
30	2	WHEEL
31	2	WHEEL CAP
32	1	DAMPER F/ SMOKESTACK
33	1	KIT, TOP LID HARDWARE
NOT Pictured		
...	1	HARDWARE PACK
...	1	PRODUCT GUIDE
...	1	KIT, SPRING, NUT F/ SMOKESTACK

LISTA DE PIEZAS DE REPUESTO

llave	Cantidad	Descripción
1	1	TAPA SUPERIOR
2	1	LOGOTIPO PLANO
3	1	INDICADOR DE TEMPERATURA
4	1	TUBO DE PILA DE HUMO
5	1	MANIJA DE LA TAPA
6	1	REJILLA ABATIBLE
7	3	COCINAR GRATIS
8	1	ELEVADOR DE REJILLA
9	1	CAJA DE FUEGO
10	1	PLACA LATERAL, COMPUERTA DEL HOGAR
11	1	AMORTIGUADOR FIRBOX
12	1	REJILLA DE FUEGO
13	1	CENICERO
14	1	SOPORTE CENICERO
15	1	MANGO DEL CENICERO
16	2	COLGADOR DE REJILLA DE FUEGO
17	1	ESTANTE LATERAL
18	1	CONDIMENTADOR BALONCESTO
19	3	GANCHO PARA HERRAMIENTAS

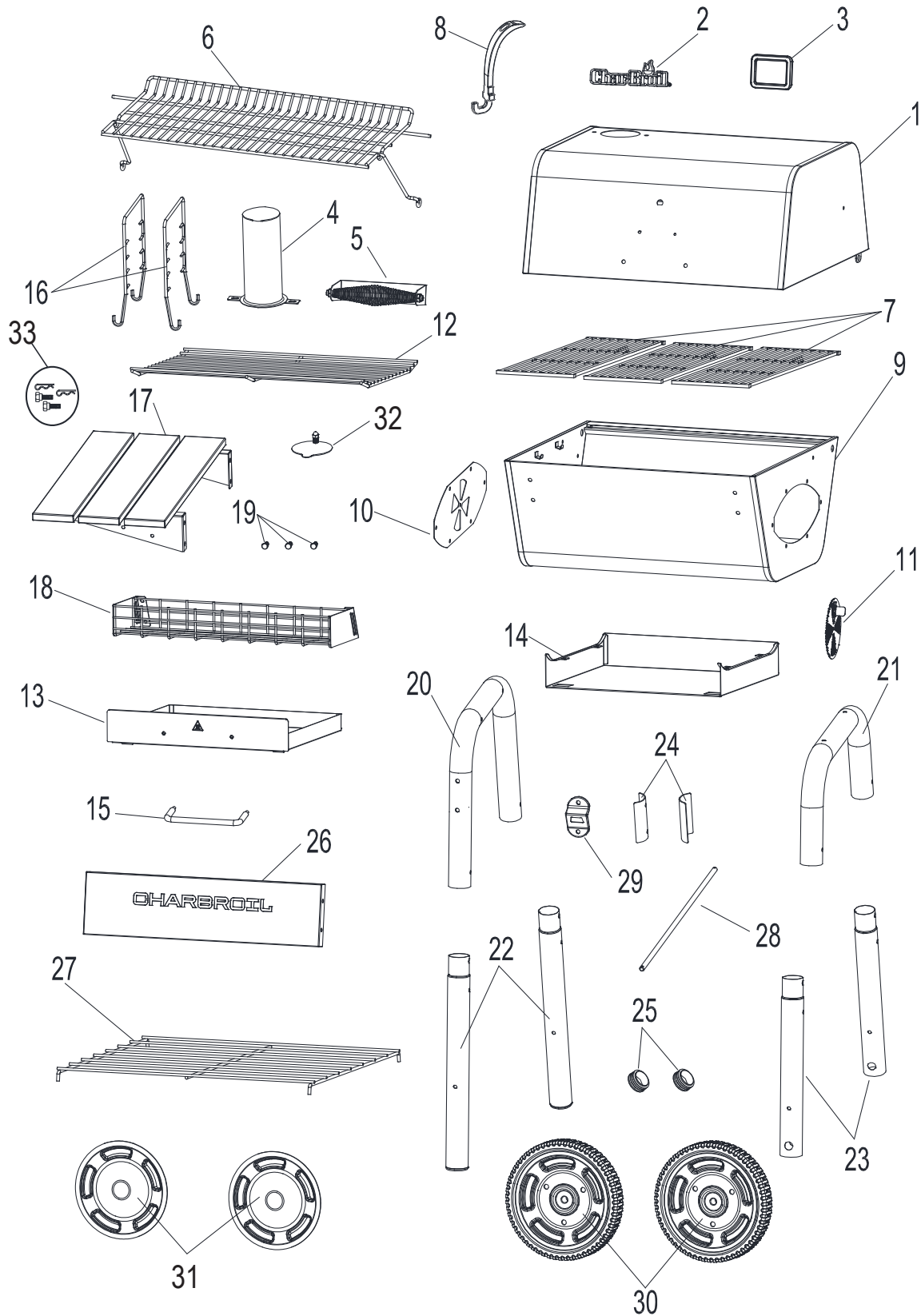
llave	Cantidad	Descripción
20	1	SOPORTE DE PIERNAS IZQUIERDO
21	1	PIERNA DE APOYO DERECHA
22	2	PIERNA LARGA CON GORRA
23	2	PIERNA, CORTA, PARA RUEDA
24	2	SOPORTE PARA AMARRE DE PIERNAS
25	2	GORRA DE PIERNA
26	1	PANEL FRONTAL
27	1	ALAMBRE DEL ESTANTE INFERIOR
28	1	EJE PARA RUEDA
29	1	ABREBOTELLAS
30	2	RUEDA
31	2	TAPA DE RUEDA
32	1	COMPUERTA PARA CHIMENEA
33	1	KIT, ACCESORIOS DE TAPA SUPERIOR
No en la foto		
...	1	PAQUETE DE HARDWARE
...	1	GUÍA DE PRODUCTO
...	1	KIT, MUELLE, TUERCA PARA CHIMENEA

LISTE DES PIÈCES DE RECHANGE

Clé	Quantité	Description
1	1	COUVERCLE SUPÉRIEUR
2	1	PLAQUE DE LOGO
3	1	INDICATEUR DE TEMPÉRATURE
4	1	TUBE DE CHEMINÉE DE FUMÉE
5	1	POIGNÉE DU COUVERCLE
6	1	GRILLE PIVOTANTE
7	3	CUISINE GRATUITEMENT
8	1	LÈVE-GRILLE
9	1	FOYER
10	1	PLAQUE LATÉRALE, REGISTRE DE FOYER
11	1	AMORTISSEUR FIRBOX
12	1	GRILLE DE FEU
13	1	PAIN DE CENDRE
14	1	SUPPORT DE CENDRIER
15	1	POIGNÉE DU CENDRIER
16	2	CINTRE DE GRILLE DE FEU
17	1	ÉTAGÈRE LATÉRAL
18	1	PANIER À CONDIMENTS
19	3	CROCHET À OUTILS

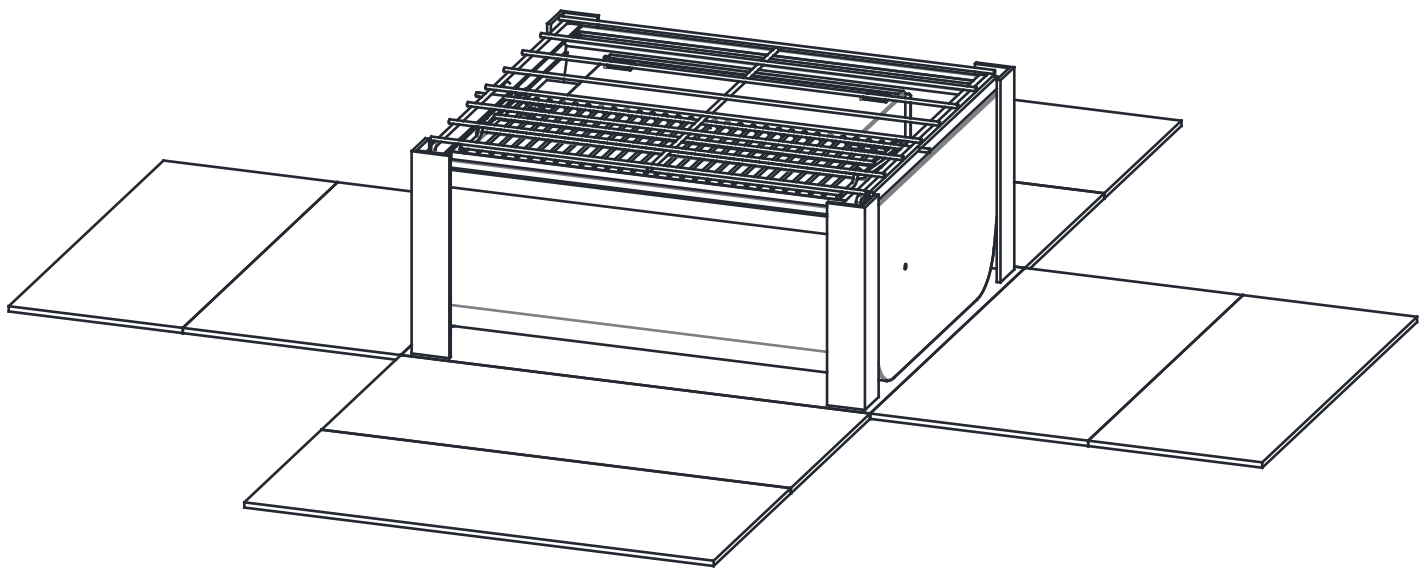
Clé	Quantité	Description
20	1	PIED D'APPUI, GAUCHE
21	1	JAMBE D'APPUI, DROITE
22	2	PIED LONG AVEC BOUCHON
23	2	PIED, COURT, F/ ROUE
24	2	SUPPORT D'ATTAQUE DE JAMBES
25	2	JAMBE
26	1	PANNEAU AVANT
27	1	FIL D'ÉTAGÈRE INFÉRIEURE
28	1	AXE F/ ROUE
29	1	OUVRE-BOUTEILLE
30	2	ROUE
31	2	ENJOLIVEUR
32	1	VOLET POUR CHEMINÉE DE FUMÉE
33	1	KIT, QUINCAILLERIE DE COUVERCLE SUPÉRIEUR
Non illustré		
...	1	PACK MATÉRIEL
...	1	GUIDE PRODUIT
...	1	KIT, RESSORT, ECROU F/ CHEMINÉE

REPLACEMENT PARTS DIAGRAM • DIAGRAMA DE PIEZAS DE REPUESTO



ASSEMBLY / ASSEMBLAGE / ASAMBLEA

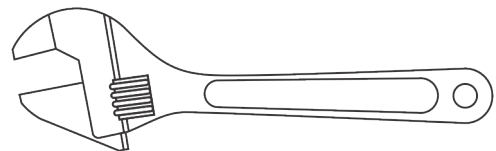
1



CAUTION • AVERTISSEMENT • PRECAUCIÓN

- **THIS UNIT IS HEAVY! DO NOT** attempt to assemble without a helper.
- **CET APPAREIL EST LOURD !** N'essayez **PAS** d'assembler sans aide.
- **¡ESTA UNIDAD ES PESADA! NO** intente ensamblar sin un ayudante.
- Some parts may contain sharp edges – especially as noted in each assembly step! Wear protective gloves if necessary.
- Certaines pièces peuvent contenir des arêtes vives, en particulier comme indiqué à chaque étape d'assemblage ! Porter des gants de protection si nécessaire.
- Algunas piezas pueden contener bordes afilados, ¡especialmente como se indica en cada paso del montaje! Use guantes protectores si es necesario.

Tools required for assembly (Not included)
Outils requis pour l'assemblage (non inclus)
Herramientas necesarias para el montaje (no incluidas)



ASSEMBLY / ASSEMBLAGE / ASAMBLEA

2



BX4



CX4

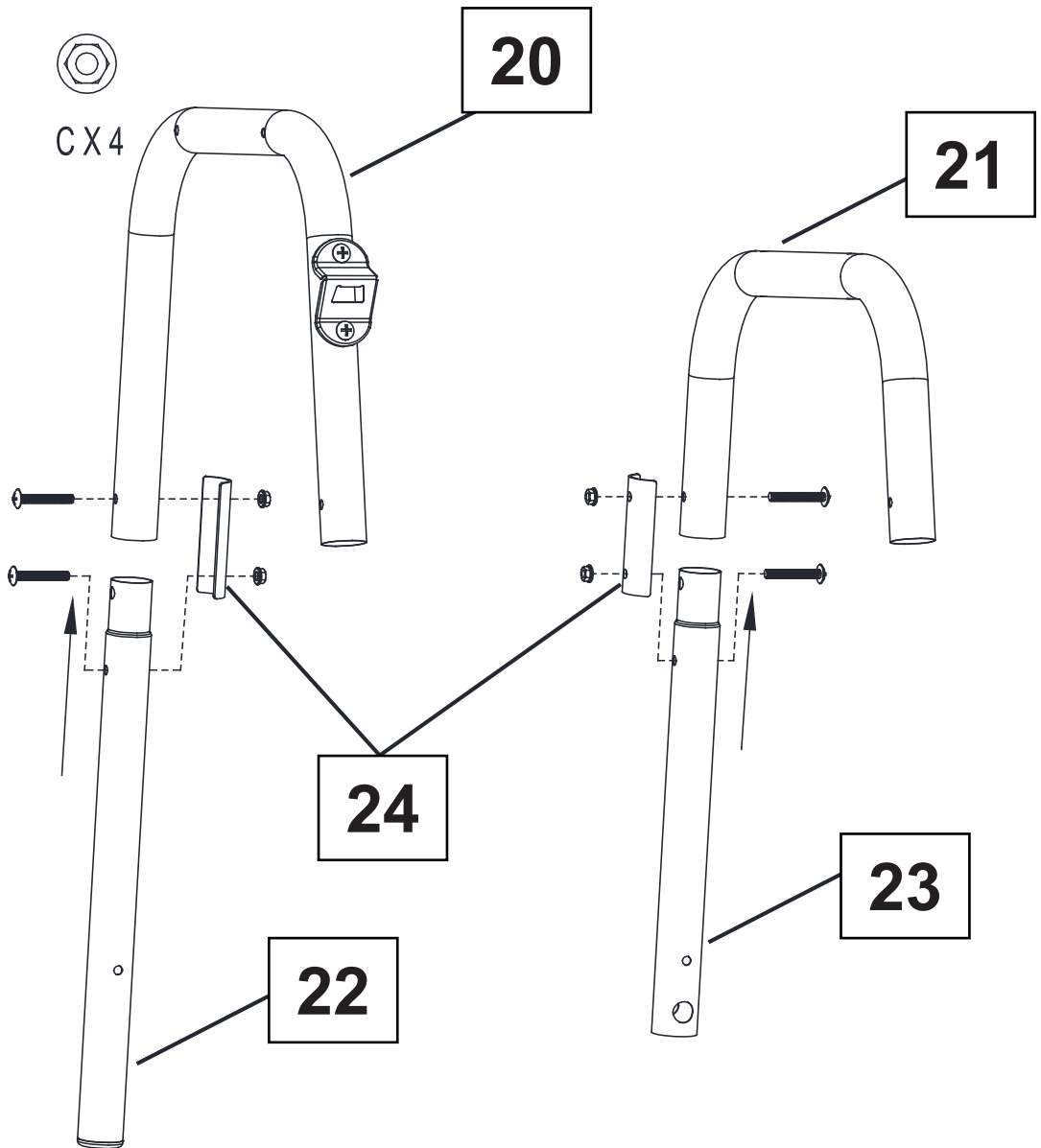
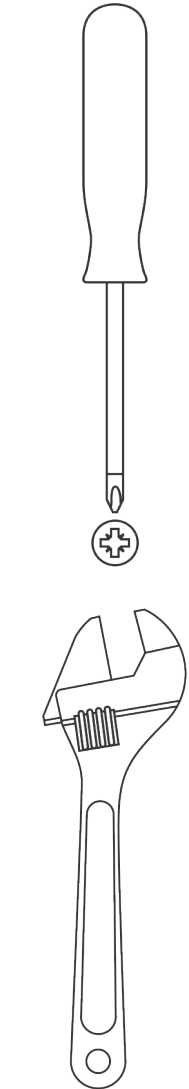
20

21

24

23

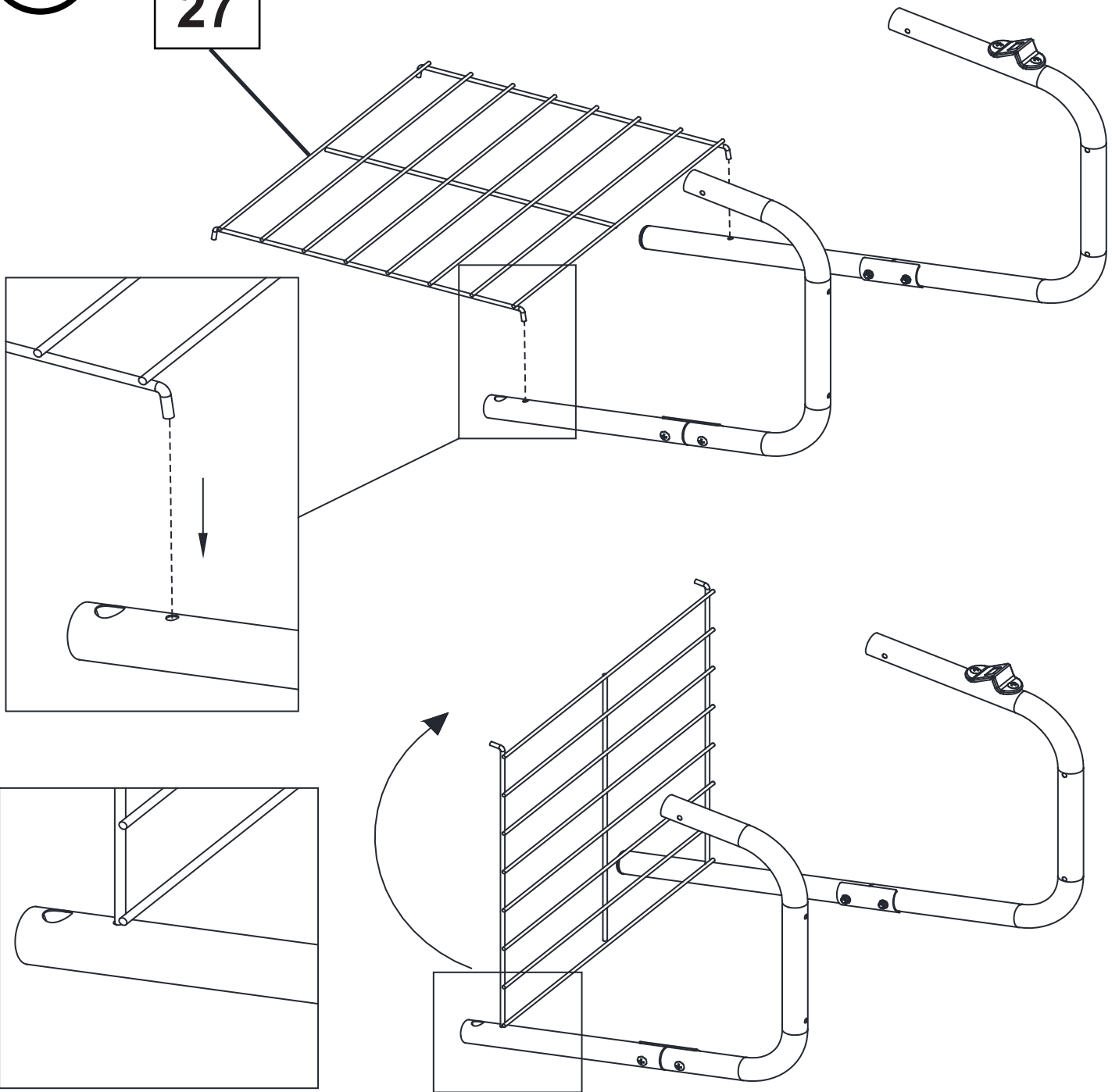
22



ASSEMBLY / ASSEMBLAGE / ASAMBLEA

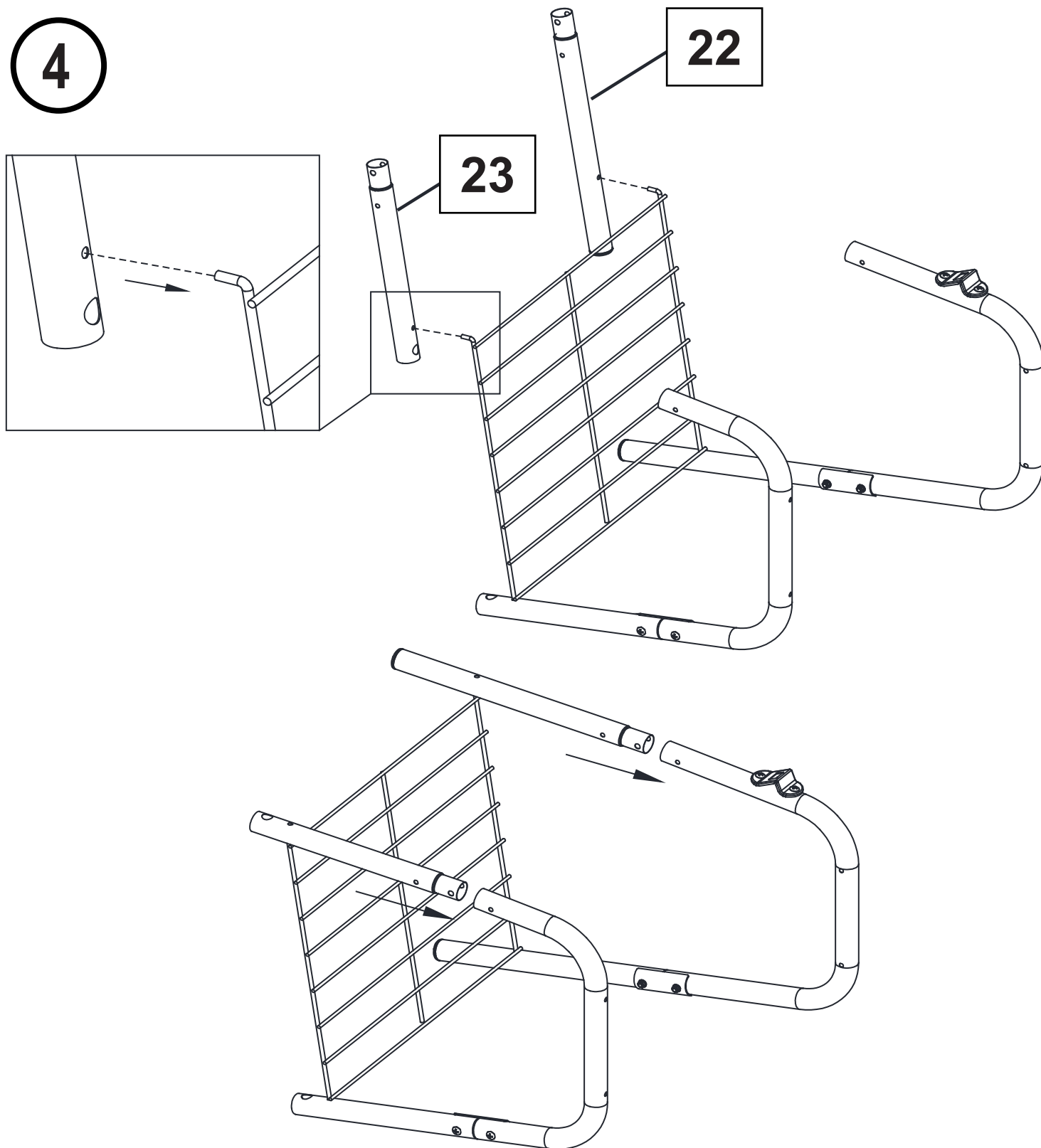
3

27



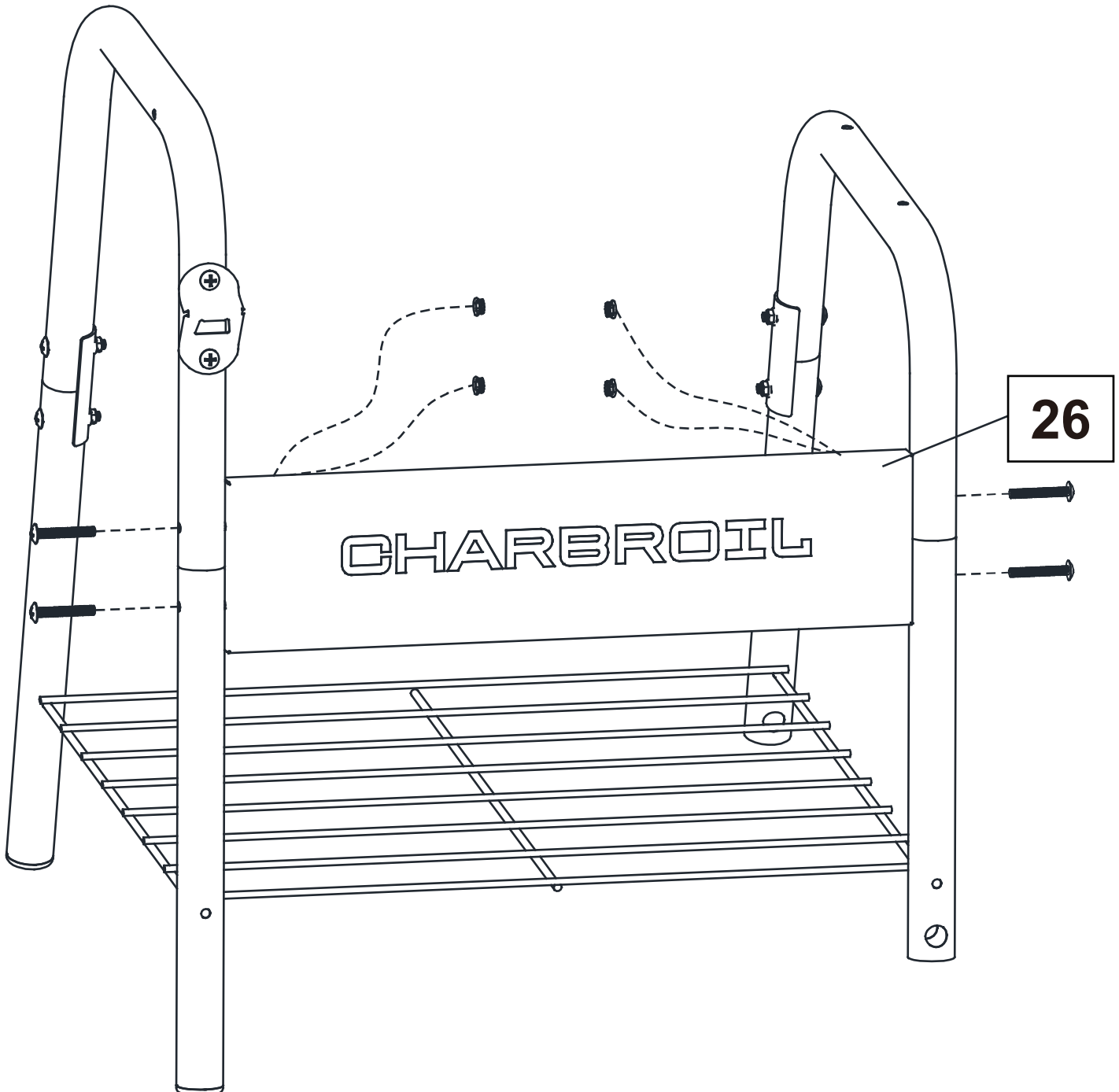
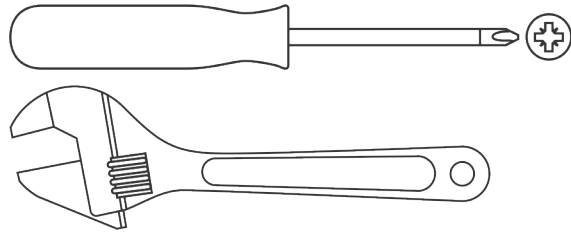
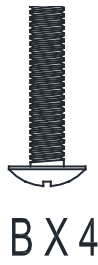
ASSEMBLY / ASSEMBLAGE / ASAMBLEA

4



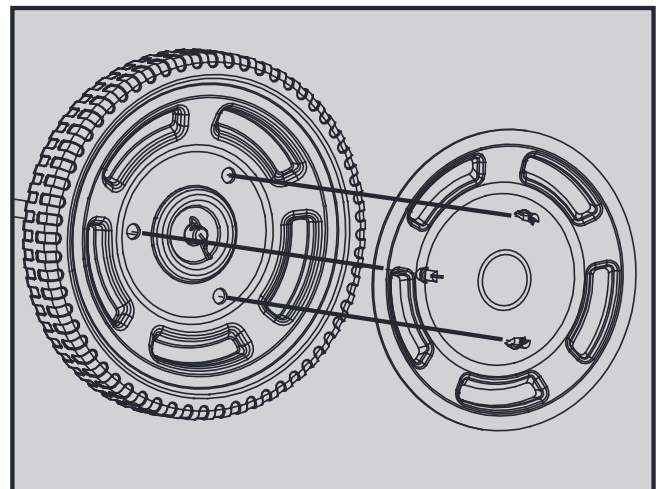
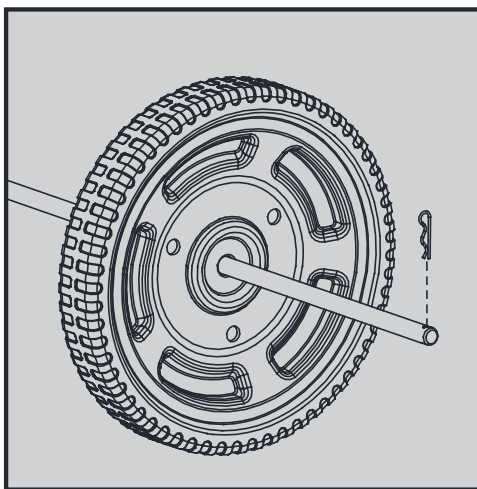
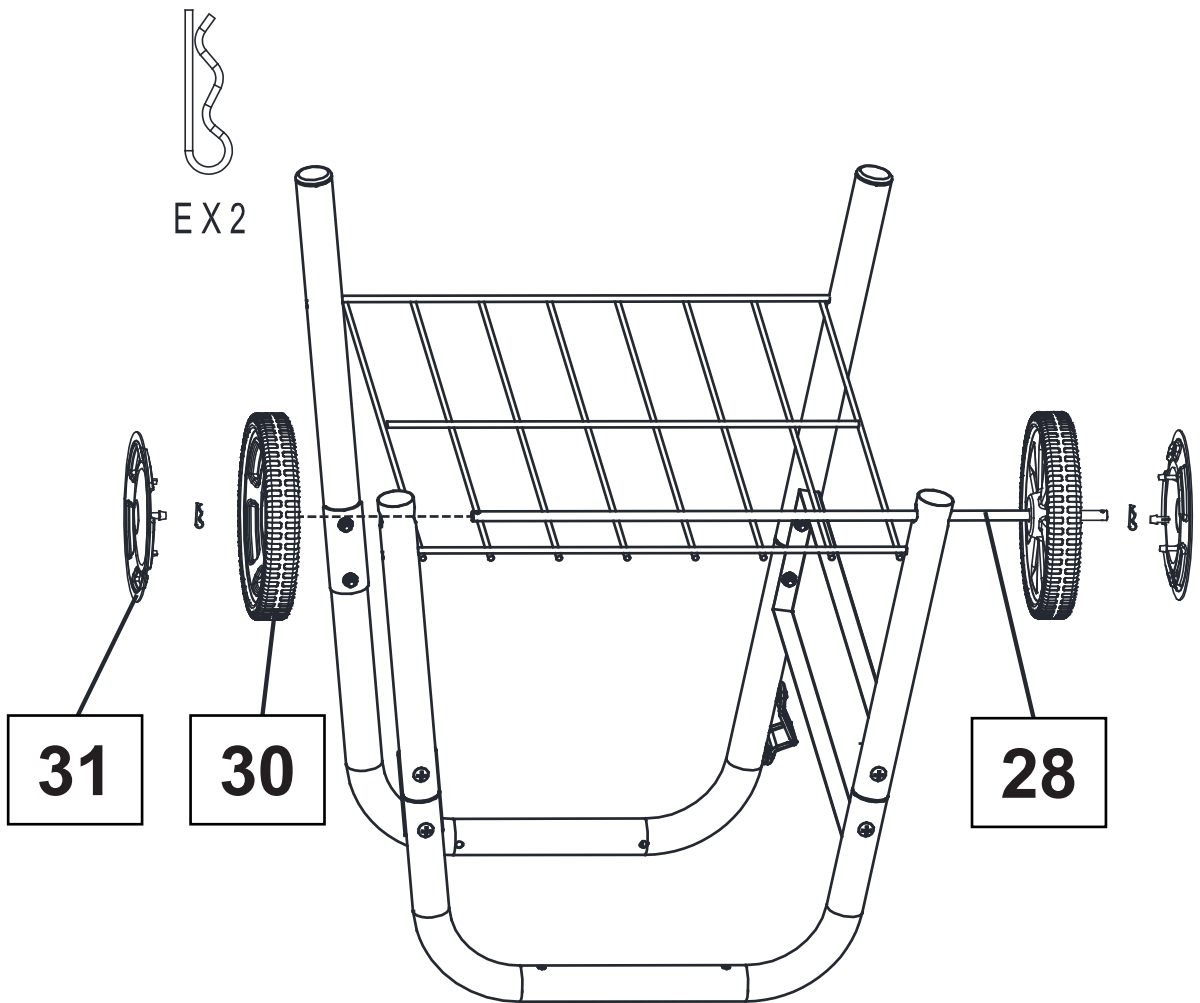
ASSEMBLY / ASSEMBLAGE / ASAMBLEA

5



ASSEMBLY / ASSEMBLAGE / ASAMBLEA

6

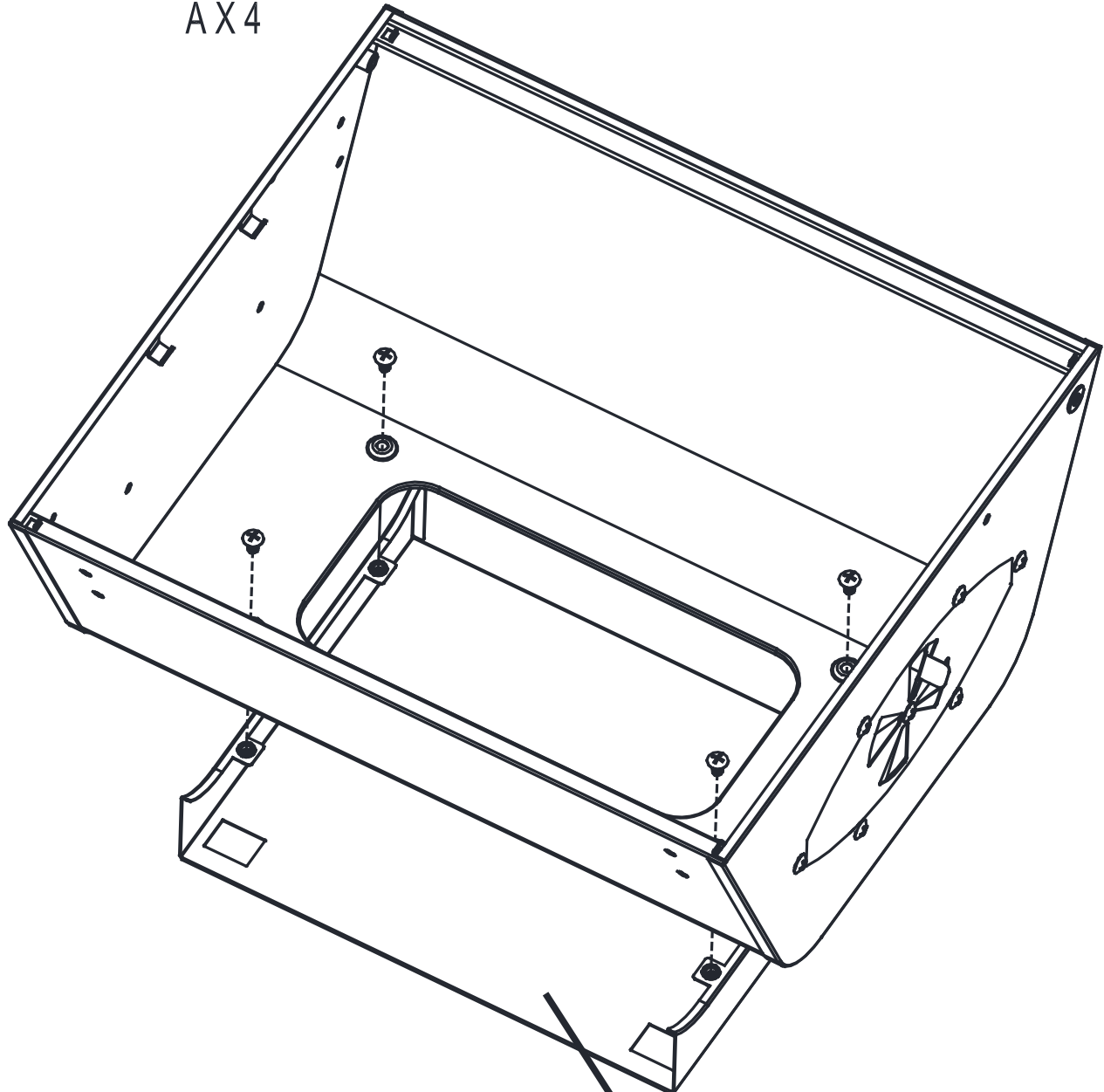
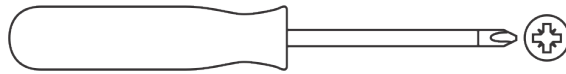


ASSEMBLY / ASSEMBLAGE / ASAMBLEA

7



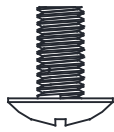
AX4



14

ASSEMBLY / ASSEMBLAGE / ASAMBLEA

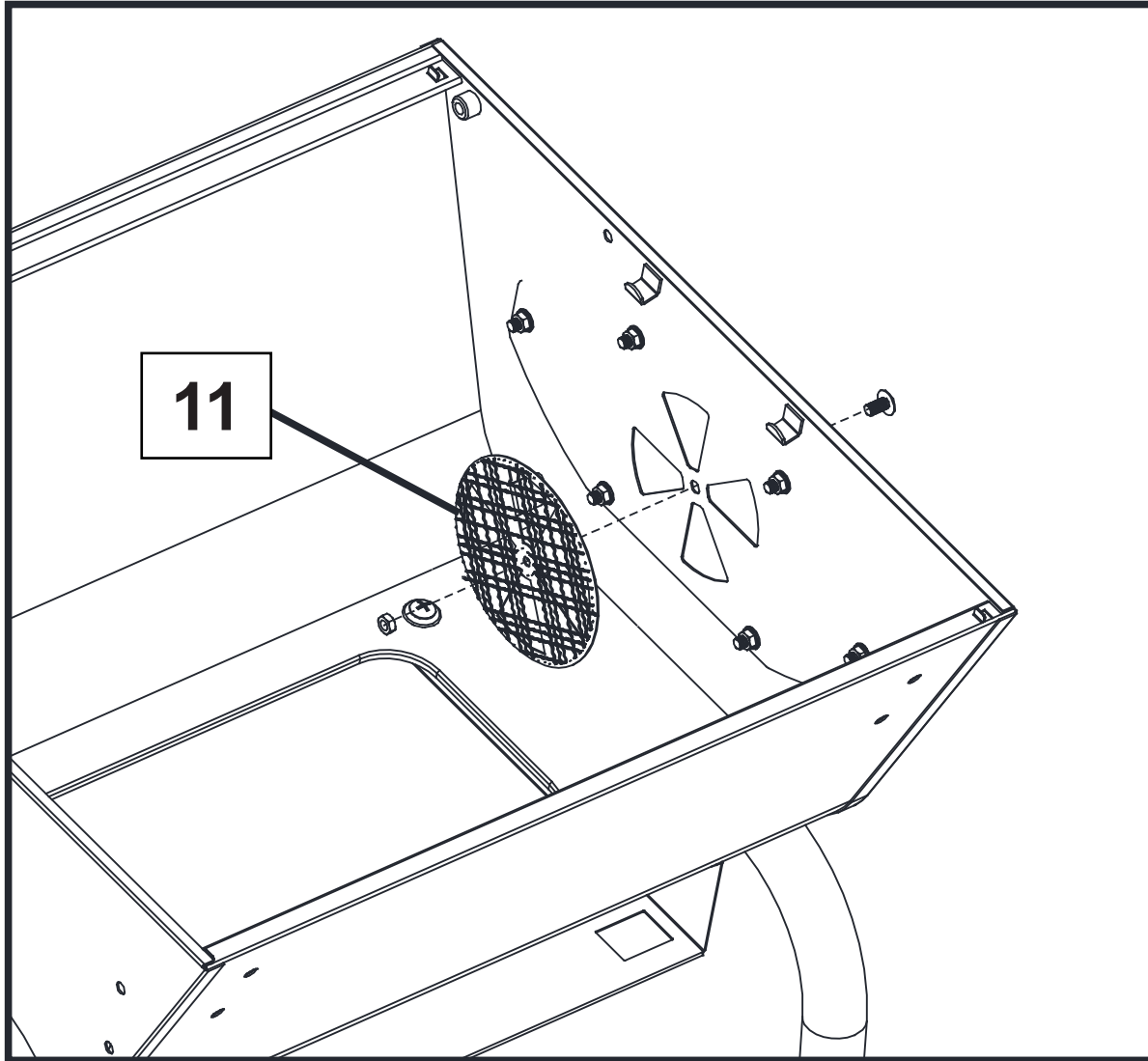
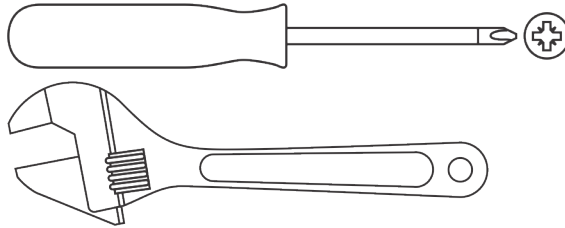
8



AX1

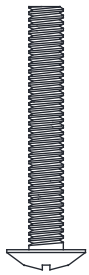


DX1



ASSEMBLY / ASSEMBLAGE / ASAMBLEA

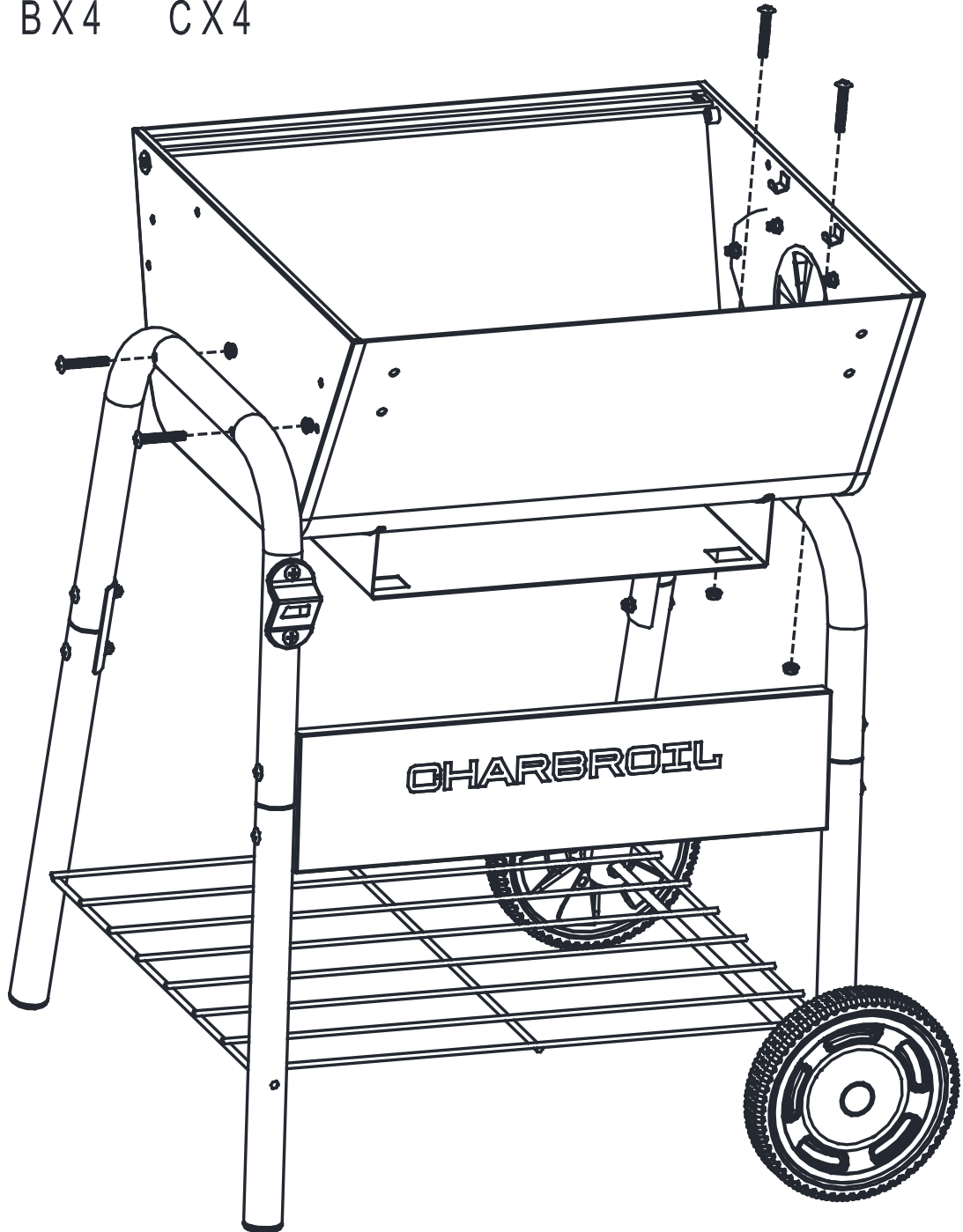
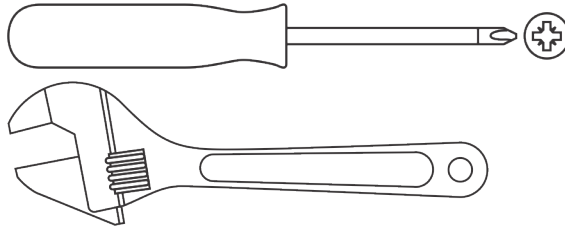
9



BX4

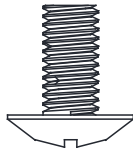


CX4



ASSEMBLY / ASSEMBLAGE / ASAMBLEA

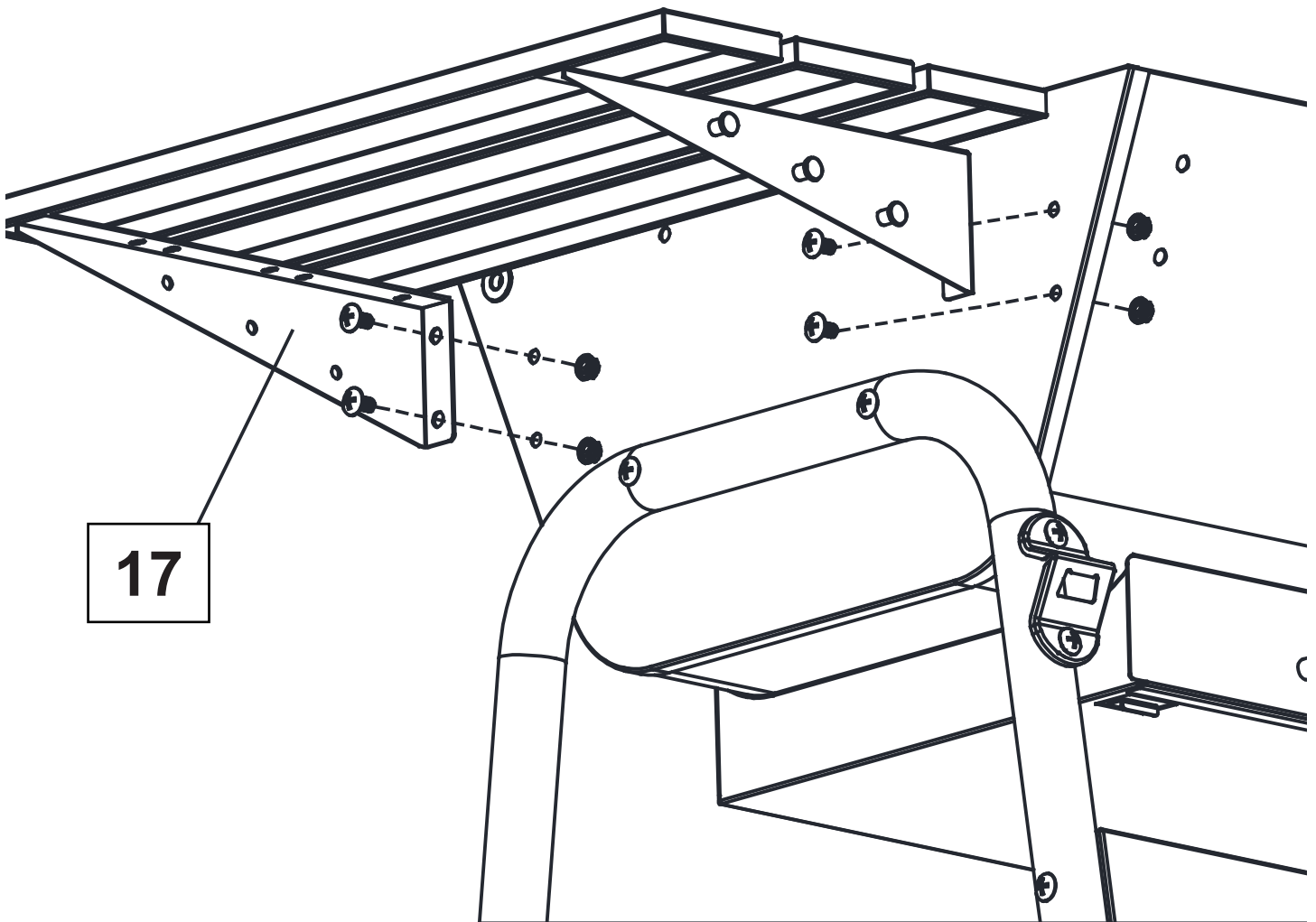
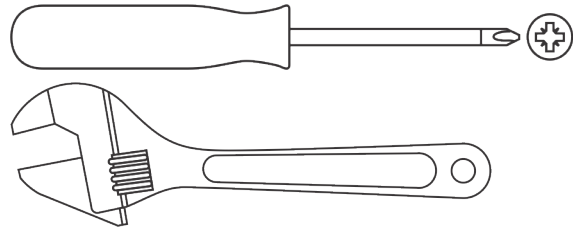
10



AX4



CX4



17

ASSEMBLY / ASSEMBLAGE / ASAMBLEA

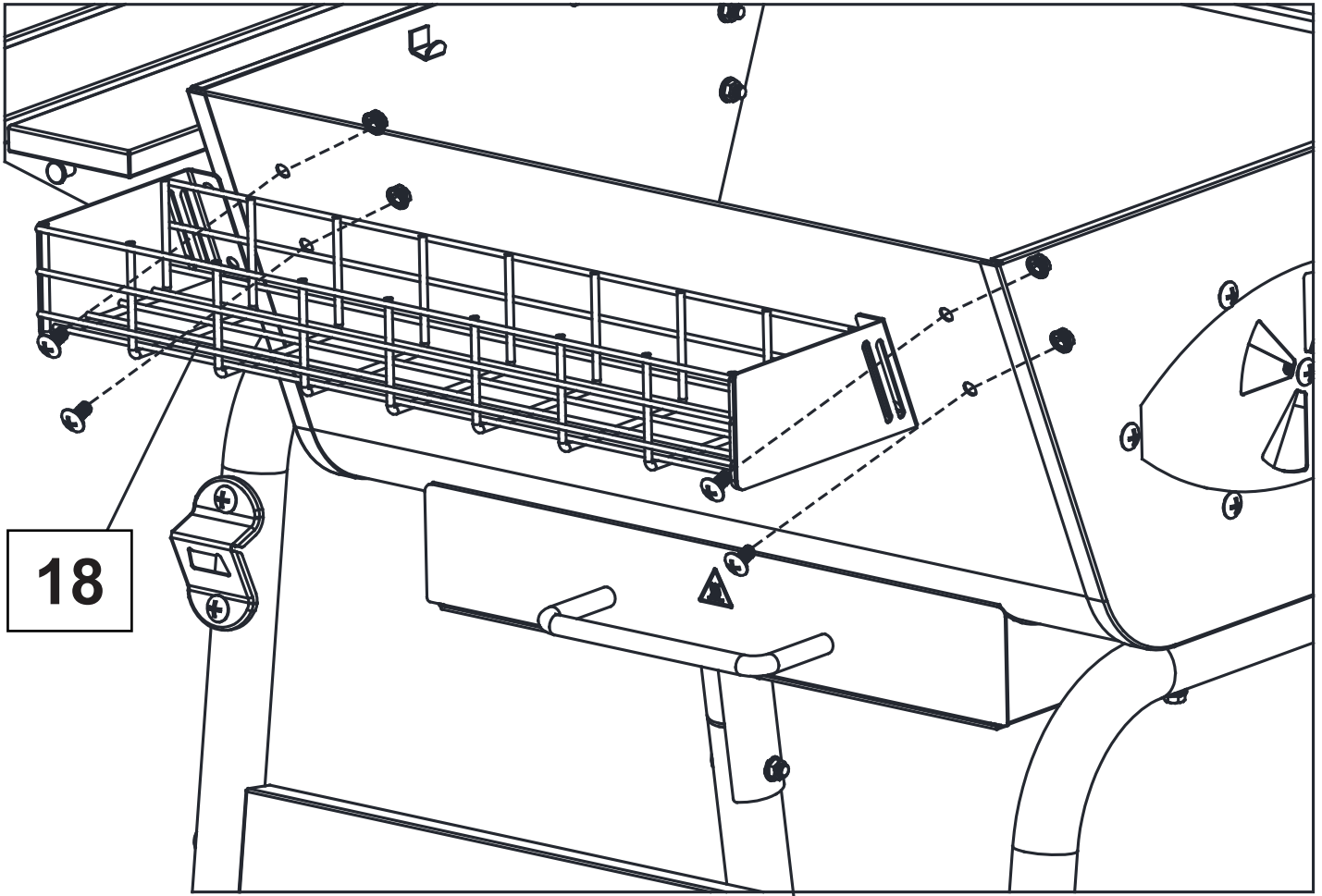
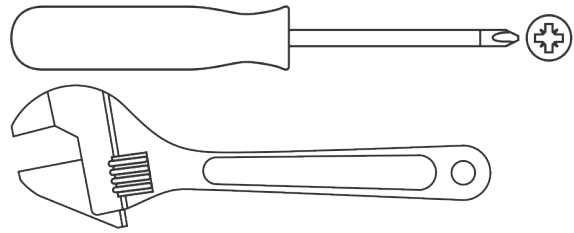
11



AX4



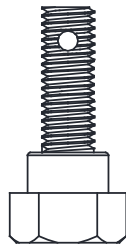
CX4



18

ASSEMBLY / ASSEMBLAGE / ASAMBLEA

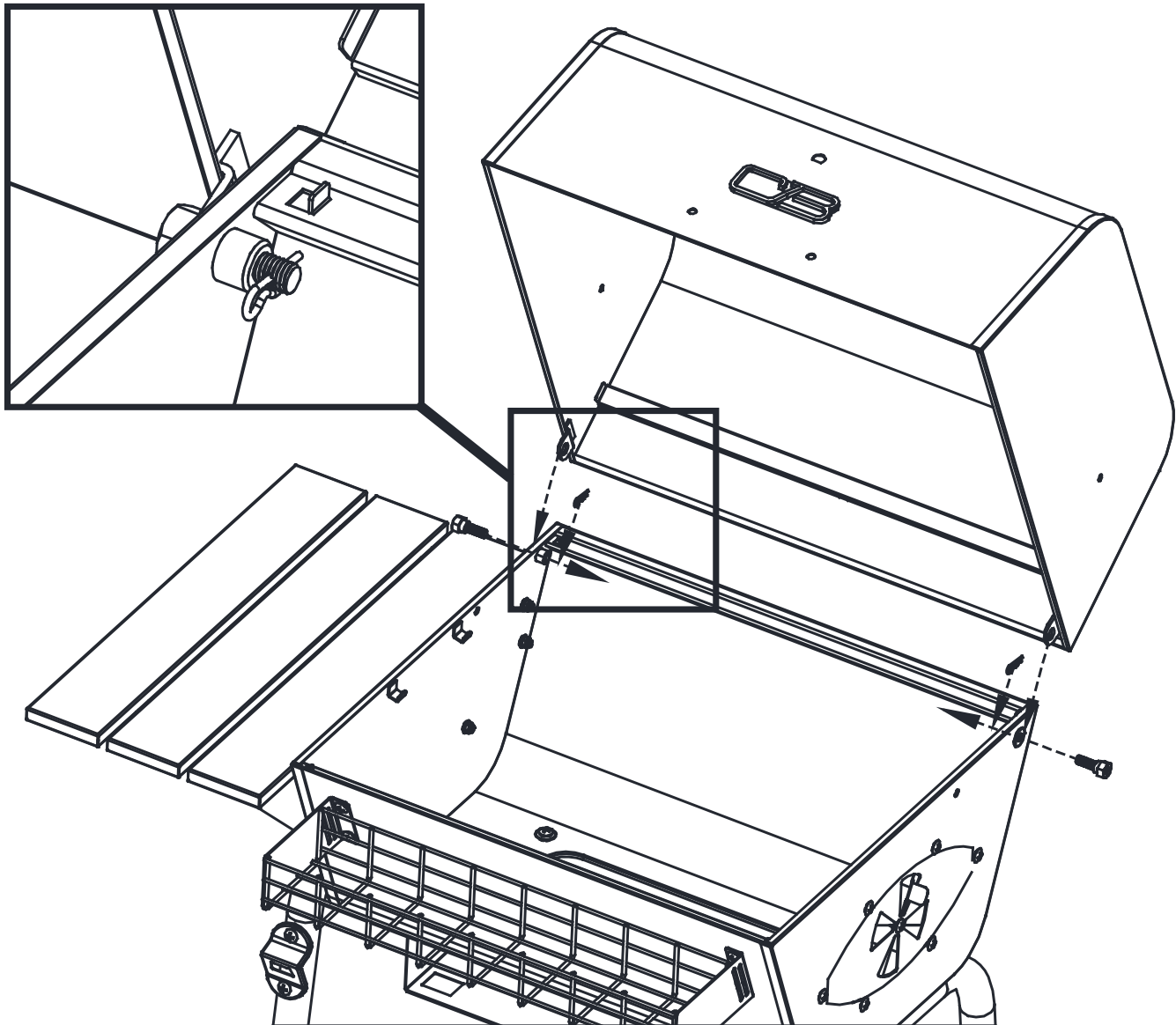
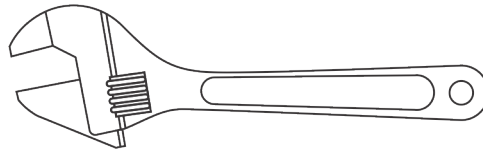
12



FX2

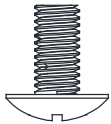
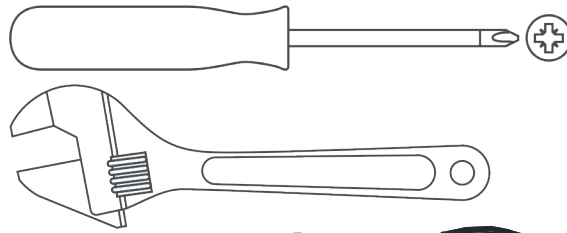


GX2



ASSEMBLY / ASSEMBLAGE / ASAMBLEA

13



AX4

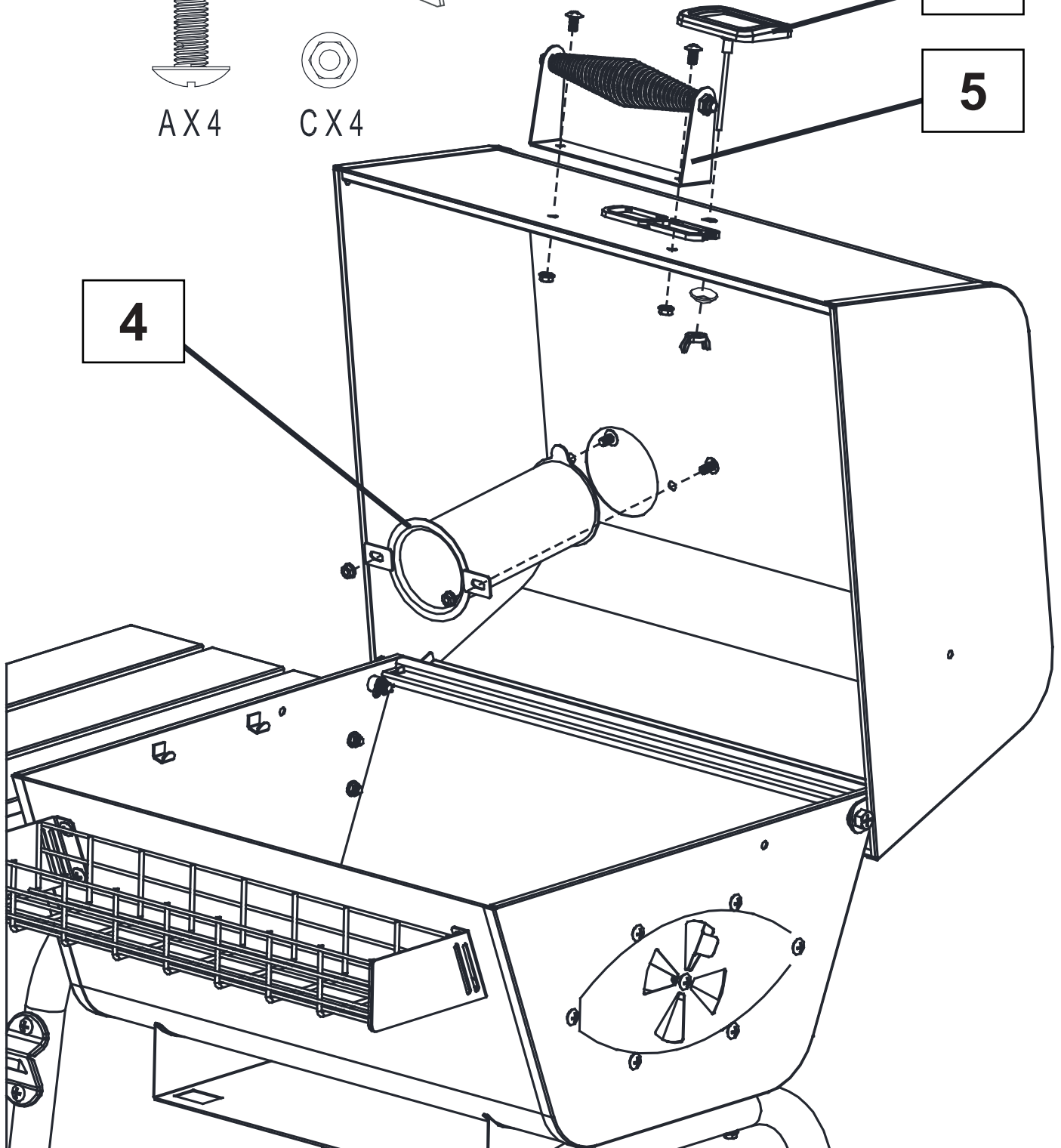


CX4

3

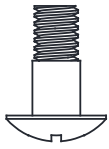
5

4

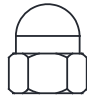


ASSEMBLY / ASSEMBLAGE / ASAMBLEA

14



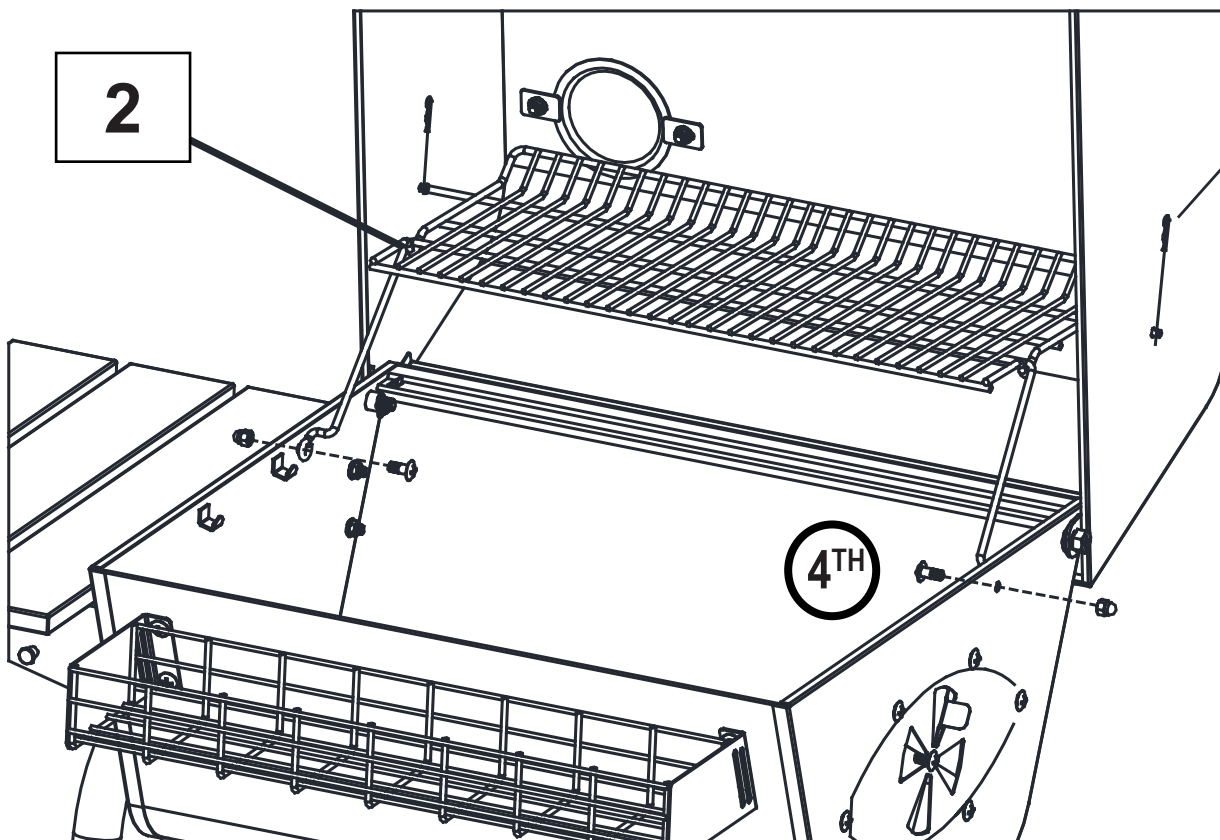
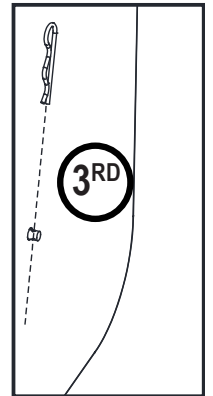
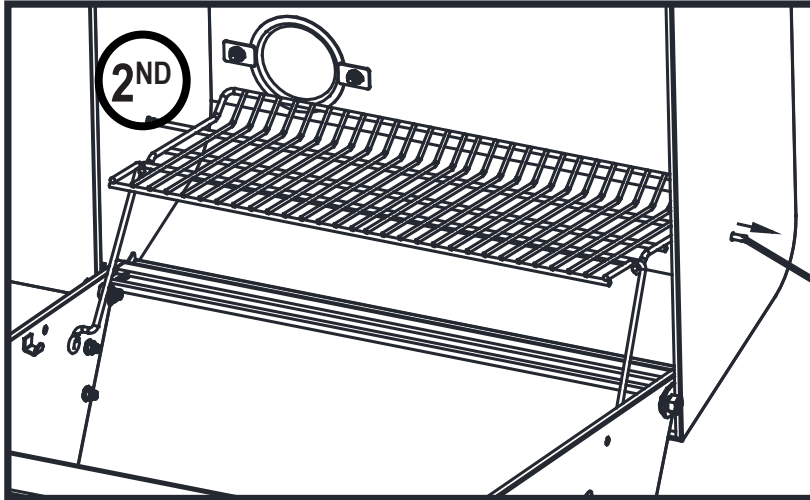
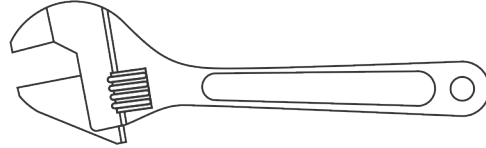
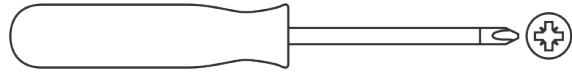
HX2



JX2



EX2

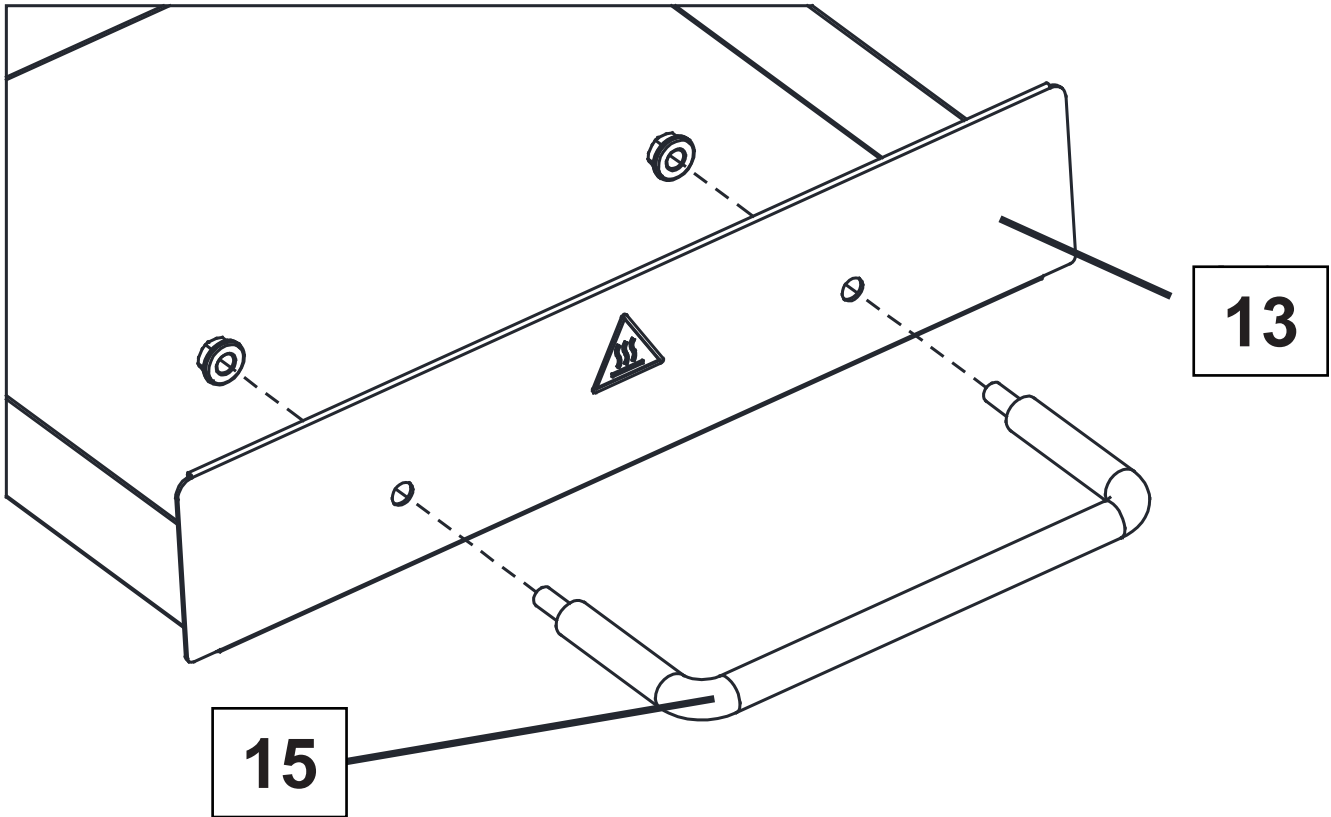
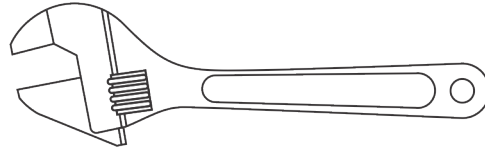


ASSEMBLY / ASSEMBLAGE / ASAMBLEA

15

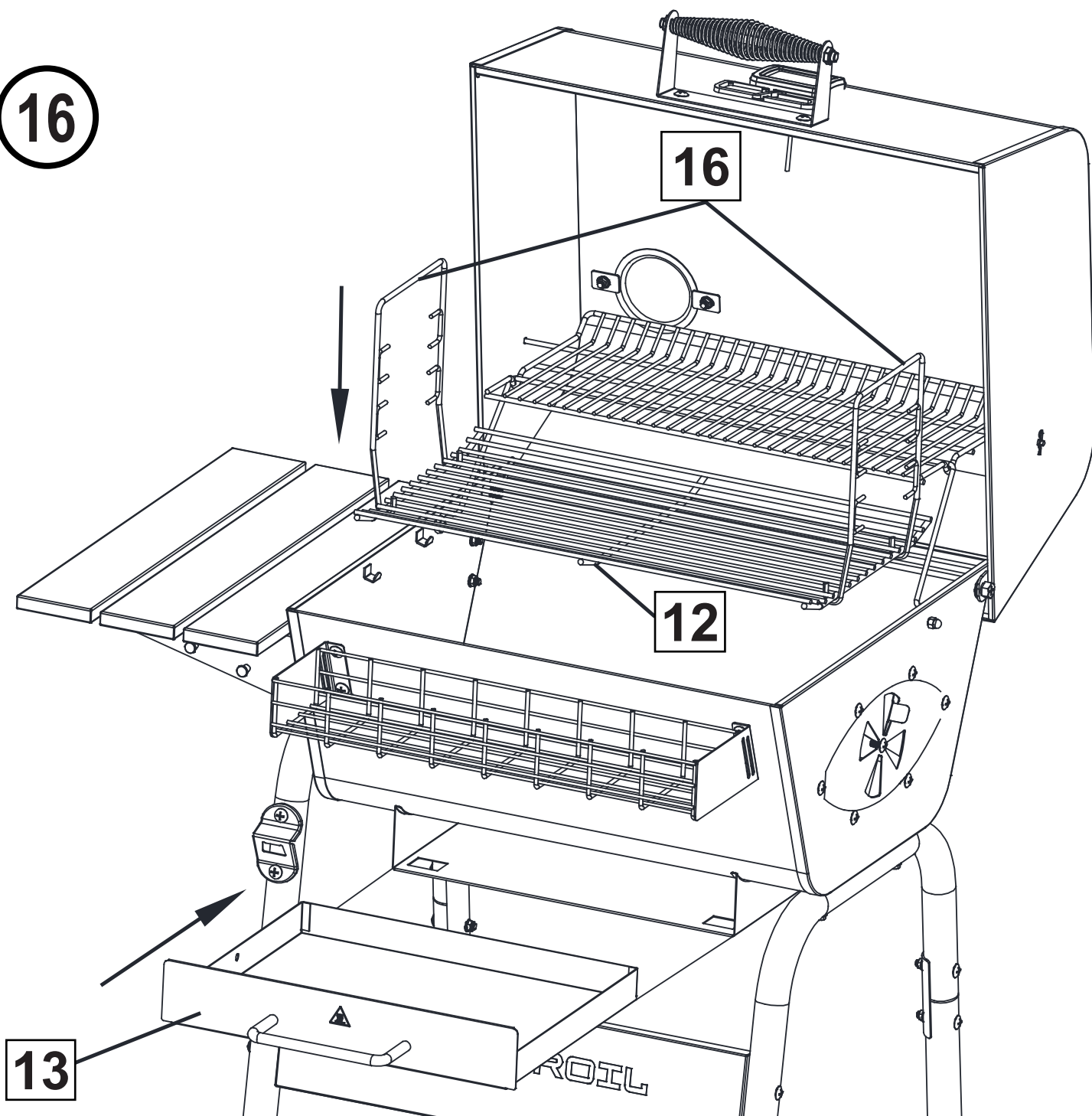


CX2



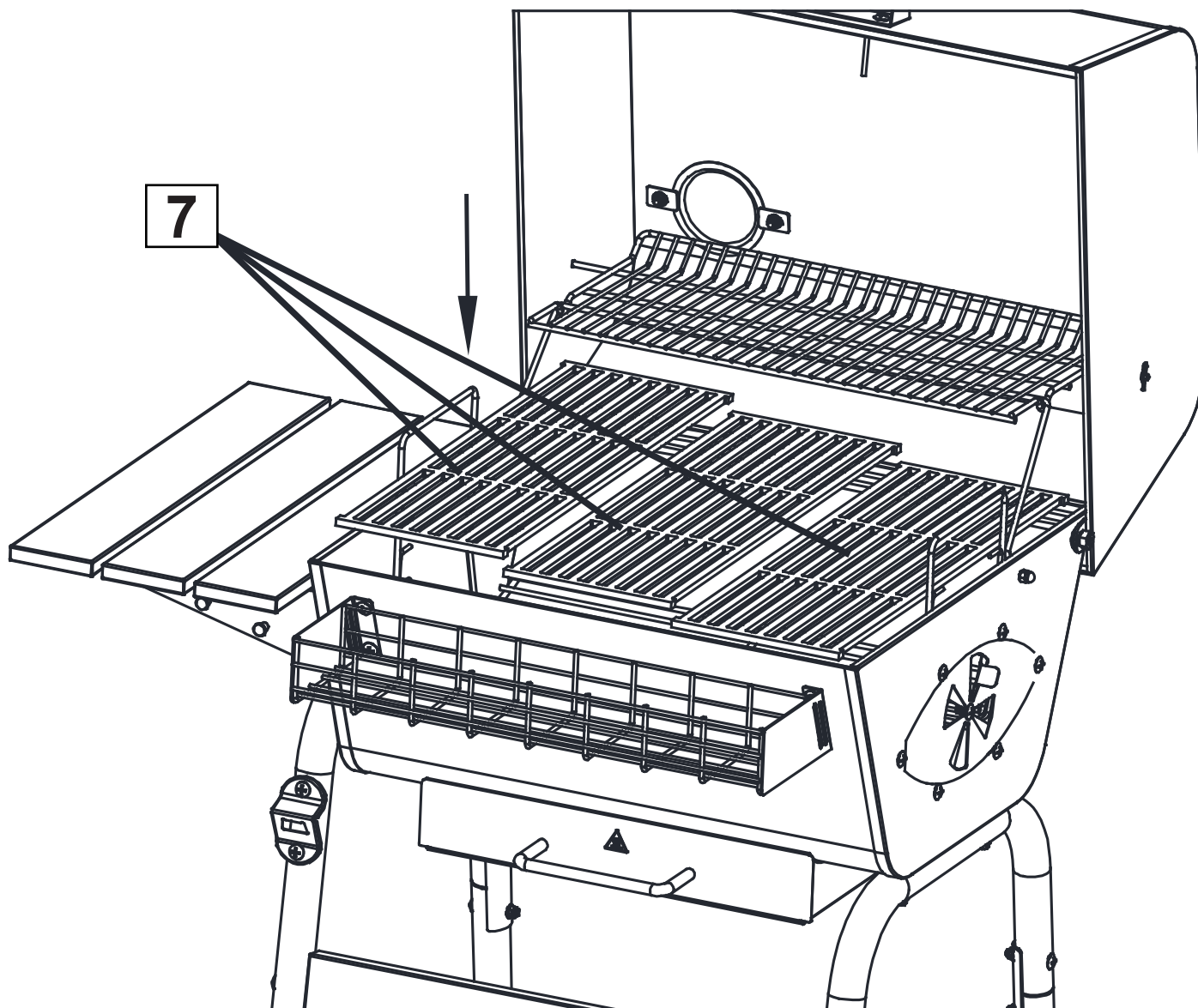
ASSEMBLY / ASSEMBLAGE / ASAMBLEA

16

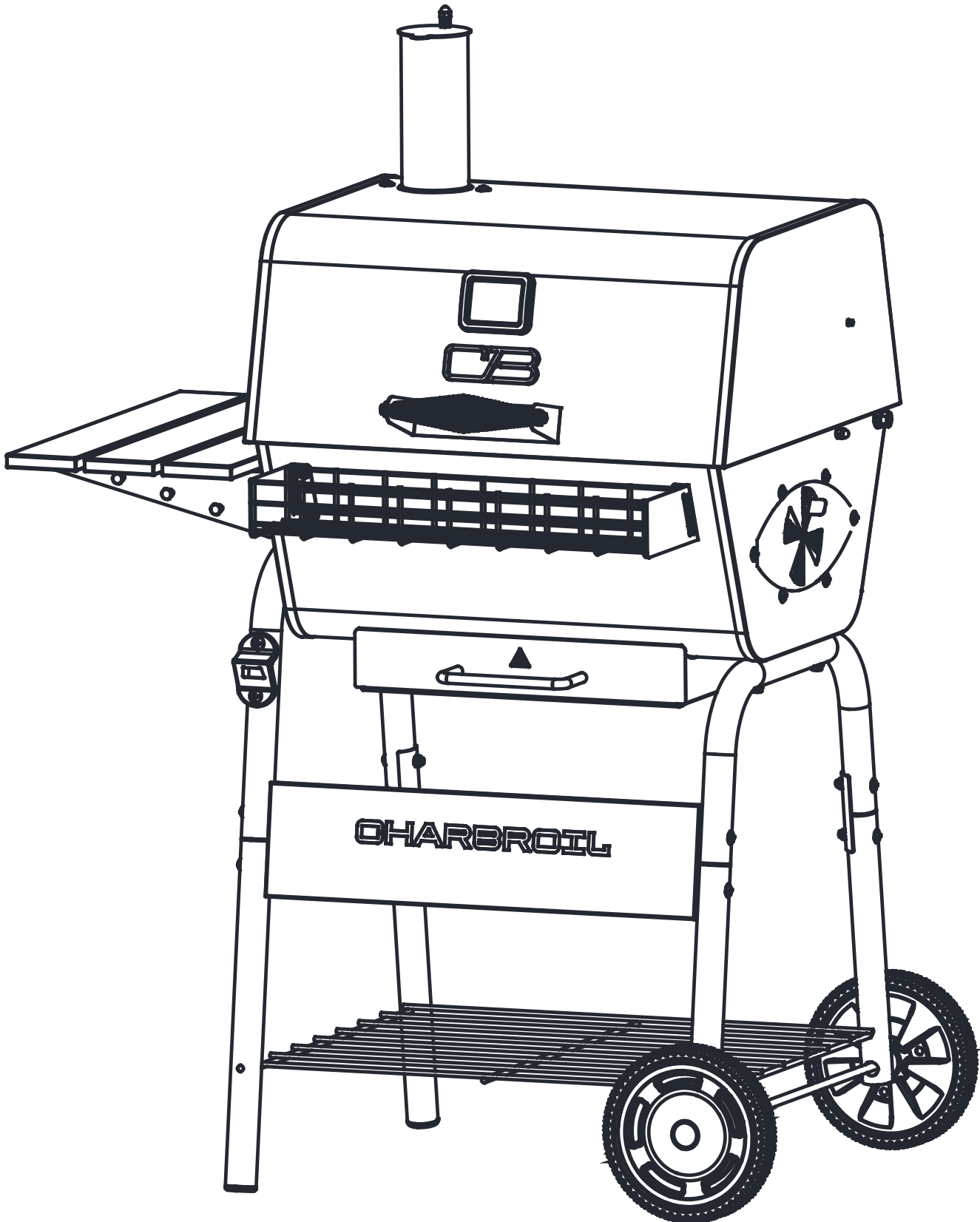


ASSEMBLY / ASSEMBLAGE / ASAMBLEA

17



ASSEMBLY / ASSEMBLAGE / ASAMBLEA



LIMITED WARRANTY

This warranty only applies to units purchased from an authorized retailer. Manufacturer warrants to the original consumer-purchaser only that this product shall be free from defects in workmanship and materials after correct assembly and under normal and reasonable home use for the periods indicated below beginning on the date of purchase*. The manufacturer reserves the right to require that defective parts be returned, postage and or freight pre-paid by the consumer for review and examination.

<u>SCOPE OF COVERAGE</u>	<u>PERIOD OF COVERAGE</u>	<u>TYPE OF FAILURE COVERAGE</u>
ALL PARTS	1 YEAR	PERFORATION, MANUFACTURING, AND MATERIAL DEFECTS ONLY

*Note: A dated sales receipt WILL be required for warranty service.

The original consumer-purchaser will be responsible for all shipping charges for parts replaced under the terms of this limited warranty.

This limited warranty is applicable in the United States and Canada only, is only available to the original owner of the product and is not transferable.

Manufacturer requires proof of your date of purchase. Therefore, you should retain your sales slip or invoice. Registering your product is not a substitute for proof of purchase and the manufacturer is not responsible for or required to retain proof of purchase records. This limited warranty applies to the functionality of the product ONLY and does not cover cosmetic issues such as scratches, dents, corrosions or discoloring by heat, abrasive and chemical cleaners or any tools used in the assembly or installation of the appliance, surface rust, or the discoloration of stainless steel surfaces. Paint is not warranted and will require touch up. RUST is not considered a manufacturing or materials defect.

This limited warranty will not reimburse you for the cost of any inconvenience, food, personal injury or property damage.

ITEMS MANUFACTURER WILL NOT PAY FOR:

1. Shipping cost, standard or expedited, for warranty and replacement parts.
2. Service calls to your home.
3. Repairs when your product is used for other than normal, single-family household or residential use.
4. Damage, failures, or operating difficulties resulting from accident, alteration, careless handling, misuse, abuse, fire, flood, acts of God, improper installation or maintenance, installation not in accordance with electrical or plumbing codes, or use of products not approved by the manufacturer.
5. Any food loss due to product failures or operating difficulties.
6. Replacement parts or repair labor costs for units operated outside the United States or Canada.
7. Pickup and delivery of your product.
8. Repairs to parts or systems resulting from unauthorized modifications made to the product.
9. The removal and/or reinstallation of your product.

DISCLAIMER OF IMPLIED WARRANTIES and LIMITATION OF REMEDIES

Repair or replacement of defective parts is your exclusive remedy under the terms of this limited warranty. In the event of parts availability issues, the manufacturer reserves the right to substitute like or similar parts that are equally functional. Manufacturer will not be responsible for any consequential or incidental damages arising from the breach of either this limited warranty or any applicable implied warranty, or for failure or damage resulting from acts of God, improper care and maintenance, grease fire, accident, alteration, replacement of parts by anyone other than Manufacturer, misuse, transportation, commercial use, abuse, hostile environments (inclement weather, acts of nature, animal tampering), improper installation or installation not in accordance with local codes or printed manufacturer instructions.

THIS LIMITED WARRANTY IS THE SOLE EXPRESS WARRANTY GIVEN BY THE MANUFACTURER. NO PRODUCT PERFORMANCE SPECIFICATION OR DESCRIPTION WHEREVER APPEARING IS WARRANTED BY MANUFACTURER EXCEPT TO THE EXTENT SET FORTH IN THIS LIMITED WARRANTY. ANY IMPLIED WARRANTY PROTECTION ARISING UNDER THE LAWS OF ANY STATE, INCLUDING IMPLIED WARRANTY OF MERCHANTABILITY OR FITNESS FOR A PARTICULAR PURPOSE OR USE, IS HEREBY LIMITED IN DURATION TO THE DURATION OF THIS LIMITED WARRANTY.

Neither dealers nor the retail establishment selling this product has any authority to make any additional warranties or to promise remedies in addition to or inconsistent with those stated above. Manufacturer's maximum liability, in any event, shall not exceed the purchase price of the product paid by the original consumer. NOTE: Some states do not allow an exclusion or limitation of incidental or consequential damages, so some of the above limitations or exclusions may not apply to you. This limited warranty gives you specific legal rights as set forth herein. You may also have other rights which vary from state to state. In the state of California only, if refinishing or replacement of the product is not commercially practicable, the retailer selling this product or the Manufacturer will refund the purchase price paid for the product, less the amount directly attributable to use by the original consumer-purchaser prior to discovery of the nonconformity. In addition, in the state of California only, you may take the product to the retail establishment selling this product in order to obtain performance under this limited warranty. If you wish to obtain performance of any obligation under this limited warranty, you should write to:

**Consumer Relations
P. O. Box 1240
Columbus, GA 31902-1240**

Consumer returns will not be accepted unless a valid Return Authorization is first acquired. Authorized returns are clearly marked on the outside of the package with an RA number and the package is shipped freight/postage pre-paid. Consumer returns that do not meet these standards will be refused.

GARANTÍA LIMITADA

Esta garantía solo se aplica a las unidades compradas en un minorista autorizado. El fabricante únicamente garantiza al comprador-consumidor original que este producto estará libre de defectos materiales y de materiales después de corregir el montaje y bajo uso doméstico normal y razonable durante los periodos indicados a continuación a partir de la fecha de la compra*. El fabricante se reserva el derecho de solicitar que las piezas defectuosas se devuelvan, con gastos de envío y/o el flete prepagados por el consumidor para su revisión y examen.

ALCANCE DE LA COBERTURA	PERIODO DE COBERTURA	COBERTURA POR TIPO DE FALLA
TODAS LAS PARTES	1 AÑO	SOLO DEFECTOS DE PERFORACIÓN, MANUFACTURA Y DEFECTOS MATERIALES

*Nota: SE requerirá un recibo de venta con la fecha para el mantenimiento de garantía.

El consumidor-comprador original será responsable de todos los gastos de envío de las piezas reemplazadas bajo los términos de esta garantía limitada.

Esta garantía limitada es aplicable solo en los Estados Unidos y Canadá, solo está disponible para el propietario original del producto y no es transferible. El fabricante requerirá una prueba de la fecha de compra. Por lo tanto, debe guardar su recibo o factura de venta. El registro de su producto no es un sustituto de la prueba de compra y el fabricante no es responsable ni está obligado a conservar los comprobantes de los registros de compra. Esta garantía limitada se aplica SOLAMENTE a la funcionalidad del producto y no cubre problemas cosméticos como rasguños, abolladuras, corrosión o decoloración por calor, productos químicos de limpieza abrasivos o cualquier herramienta utilizada en el montaje o instalación del aparato, óxido de superficie o la decoloración de las superficies de acero inoxidable. La pintura no está cubierta por la garantía y requerirá de retoques. El ÓXIDO no es considerado un defecto de fabricación o de materiales.

Esta garantía limitada no le reembolsará el costo por cualquier inconveniente, alimento, lesión personal o daño a la propiedad.

ELEMENTOS QUE EL FABRICANTE NO PAGARÁ:

1. Costo de envío, estándar o inmediato, para piezas bajo garantía o de repuesto.
2. Llamadas de mantenimiento a su hogar.
3. Reparaciones cuando su producto sea usado para usos distintos de los usos domésticos o residenciales normales.
4. Daños, fallas o dificultades operativas resultantes de un accidente, alteración, manejo descuidado, uso indebido, abuso, incendio, inundación, actos de Dios, instalación o mantenimiento inadecuado, instalación que no esté de acuerdo con los códigos eléctricos o de plomería, o uso de productos no aprobados por el fabricante.
5. Cualquier pérdida de alimentos debido a fallas del producto o dificultades operativas.
6. Costos por piezas de repuesto o mano de obra de reparación para unidades operadas fuera de los Estados Unidos o Canadá.
7. Recojo y entrega de su producto.
8. Reparaciones de piezas o sistemas como resultado de modificaciones no autorizadas realizadas al producto.
9. El retiro y/o la reinstalación de su producto.

EXENCIÓN DE RESPONSABILIDAD DE GARANTÍAS IMPLÍCITAS Y LIMITACIÓN DE RECURSOS

La reparación o el reemplazo de piezas defectuosas es su recurso exclusivo bajo los términos de esta garantía limitada. En caso de problemas de disponibilidad de piezas, el fabricante se reserva el derecho de sustituir las piezas con piezas equivalentes o similares que sean igualmente funcionales. El fabricante no será responsable de ningún daño consecuente o incidental derivado del incumplimiento de esta garantía limitada o de cualquier garantía implícita aplicable, o por falla o daño resultante de actos de Dios, cuidado y mantenimiento incorrectos, incendio producido por grasa, accidente, alteración, reemplazo de piezas por cualquier persona que no sea el fabricante, mal uso, transporte, uso comercial, abuso, ambientes hostiles (clima inclemente, actos de la naturaleza, manipulación de animales), instalación incorrecta o instalación que no esté de acuerdo con los códigos locales o las instrucciones impresas del fabricante.

ESTA GARANTÍA LIMITADA ES LA ÚNICA GARANTÍA EXPRESA PROPORCIONADA POR EL FABRICANTE. NINGÚN DESEMPEÑO ESPECIFICACIÓN O DESCRIPCIÓN DEL PRODUCTO DONDE APAREZCA ES GARANTIZADO POR EL FABRICANTE, EXCEPTO EN LA MEDIDA ESTABLECIDA EN ESTA GARANTÍA LIMITADA. CUALQUIER PROTECCIÓN DE GARANTÍA IMPLÍCITA DERIVADA DE LAS LEYES DE CUALQUIER ESTADO, INCLUYENDO LA GARANTÍA IMPLÍCITA DE COMERCIABILIDAD O IDONEIDAD PARA UN PROPÓSITO O USO PARTICULAR, SE LIMITA POR LA PRESENTE A LA DURACIÓN DE ESTA GARANTÍA LIMITADA.

Ni los distribuidores ni el establecimiento minorista que venden este producto tienen autoridad alguna para otorgar garantías adicionales o para prometer soluciones adicionales o inconsistentes con las indicadas anteriormente. La responsabilidad máxima del fabricante, en cualquier caso, no excederá el precio de compra del producto pagado por el consumidor original. NOTA: Algunos estados no permiten una exclusión o limitación de daños incidentales o consecuentes, por lo que algunas de las limitaciones o exclusiones anteriores pueden no aplicarse a usted. Esta garantía limitada le otorga derechos legales específicos como se establece en este documento. También podría tener otros derechos que varían de un estado a otro. Solamente en el estado de California, si el reacondicionamiento o el reemplazo del producto no es comercialmente factible, el minorista que venda este producto o el fabricante reembolsará el precio de compra pagado por el producto, menos el monto directamente atribuible al uso por parte del consumidor comprador original antes del descubrimiento de la no conformidad. Además, solo en el estado de California, puede llevar el producto al establecimiento minorista que vende este producto para obtener el cumplimiento de esta garantía limitada. Si desea obtener el cumplimiento de cualquier obligación bajo esta garantía limitada, debe escribir a:

**Relaciones del consumidor
P. O. Box 1240
Columbus, GA 31902-1240**

Las devoluciones de los consumidores no serán aceptadas a menos que se obtenga primero una autorización de devolución válida. Las devoluciones autorizadas están claramente marcadas en el exterior del paquete con un número de RA y el paquete se envía con flete/franqueo prepagado. Las devoluciones del consumidor que no cumplan con estos estándares serán rechazadas.

GARANTIE LIMITÉE

Cette garantie ne s'applique qu'aux appareils achetés auprès d'un détaillant autorisé. Le fabricant garantit au premier consommateur acheteur que ce produit sera exempt de défauts de fabrication et de matériel après un bon assemblage et avec une utilisation résidentielle normale et raisonnable pendant les périodes indiquées ci-dessous, à compter de la date de l'achat*. Le fabricant se réserve le droit d'exiger le retour des pièces défectueuses, port ou fret prépayé par le consommateur, à des fins d'examen.

ÉTENDUE DE LA COUVERTURE	PÉRIODE DE LA COUVERTURE	COUVERTURE EN FONCTION DU TYPE DE DÉFAILLANCE
TOUTES LES PARTIES	1 ANS	DÉFAUTS DE PERFORATION, DE FABRICANT ET DE MATÉRIEL SEULEMENT

*Remarque : Un reçu de vente portant la date SERA requis pour un service au titre de la garantie.

Le premier consommateur acheteur sera responsable de la totalité des frais d'expédition pour les pièces remplacées en vertu de la présente garantie limitée.

La présente garantie limitée s'applique uniquement aux États-Unis et au Canada, elle n'est offerte qu'au premier propriétaire du produit et elle ne peut pas être transférée. **Le fabricant exige une preuve de la date de l'achat. Par conséquent, conservez votre reçu de vente ou votre facture.** L'enregistrement du produit ne remplace pas la preuve d'achat. Le fabricant n'est pas tenu de conserver des dossiers des preuves d'achat, et il n'a aucune responsabilité à cet égard. La présente garantie limitée s'applique UNIQUEMENT à la fonctionnalité du produit; elle ne couvre pas les problèmes cosmétiques comme les éraflures, les bosses, la corrosion ou la décoloration causée par la chaleur, des produits de nettoyage abrasifs et chimiques ou les outils utilisés lors de l'assemblage ou de l'installation de l'appareil, la rouille en surface ou la décoloration des surfaces en acier inoxydable. La peinture n'est pas garantie et des retouches seront nécessaires. La ROUILLE n'est pas considérée comme étant un défaut de fabrication ou de matériel.

La présente garantie limitée ne vous remboursera pas les coûts liés à des désagréments, des aliments, des blessures ou des dommages matériels.

CE QUE LE FABRICANT NE PAIE PAS :

1. Frais de transport, standard ou accéléré, pour les pièces de rechange et celles couvertes par la garantie.
2. Les appels de service à votre domicile.
3. Les réparations lorsque votre produit n'a pas une utilisation normale, résidentielle ou pour une seule famille.
4. Les dommages, les défaillances ou les troubles de fonctionnement découlant d'un accident, de modifications, d'une manutention négligente, de mésusage, d'abus, d'un incendie, d'une inondation, de catastrophes naturelles, d'une installation ou d'un entretien incorrects, d'une installation non conforme aux codes de l'électricité ou de la plomberie, ou de l'utilisation de produits qui ne sont pas approuvés par le fabricant.
5. Toute perte d'aliments attribuable à des défaillances du produit ou à des troubles de fonctionnement.
6. Les pièces de rechange ou les coûts de main-d'œuvre pour la réparation concernant des appareils utilisés à l'extérieur des États-Unis ou du Canada.
7. La collecte et la livraison de votre produit.
8. Les réparations à des pièces ou des systèmes découlant de modifications faites sans autorisation.
9. L'enlèvement ou la réinstallation de votre produit.

AVIS DE NON-RESPONSABILITÉ CONCERNANT LES GARANTIES IMPLICITES et LIMITATION DES RECOURS

La réparation ou le remplacement des pièces défectueuses est votre unique recours en vertu des conditions de la présente garantie limitée. Dans l'éventualité de problèmes de disponibilité des pièces, le fabricant se réserve le droit de leur substituer des pièces identiques ou semblables qui ont la même fonctionnalité. Le fabricant n'assume aucune responsabilité quant aux dommages consécutifs ou accessoires découlant de la violation de la présente garantie limitée ou de toute garantie implicite applicable, ou pour une défaillance ou des dommages découlant d'une catastrophe naturelle, d'un entretien inapproprié, d'un feu de graisse, d'un accident, d'une modification, du remplacement de pièces par une entité autre que le fabricant, de mésusage, du transport, d'une utilisation commerciale, d'un abus, d'environnements hostiles (mauvais temps, actes de la nature, problèmes causés par les animaux), d'une mauvaise installation ou d'une installation qui n'est pas conforme aux codes locaux ou aux instructions imprimées du fabricant.

LA PRÉSENTE GARANTIE LIMITÉE EST L'UNIQUE GARANTIE EXPLICITE FOURNIE PAR LE FABRICANT. AUCUNE SPÉCIFICATION NI DESCRIPTION DE LA PERFORMANCE DU PRODUIT, OÙ QU'ELLE APPARAISSE, N'EST GARANTIE PAR LE FABRICANT, DANS LA MESURE ÉNONCÉE DANS LA PRÉSENTE GARANTIE LIMITÉE. TOUTE PROTECTION AU TITRE D'UNE GARANTIE IMPLICITE DÉCOULANT DES LOIS D'UN ÉTAT QUELCONQUE, Y COMPRIS UNE GARANTIE IMPLICITE DE QUALITÉ MARCHANDE OU D'ADAPTATION À UN USAGE PARTICULIER, EST LIMITÉE PAR LES PRÉSENTES À LA DURÉE DE LA PRÉSENTE GARANTIE LIMITÉE.

Ni les marchands ni le détaillant qui vend ce produit ne sont autorisés à fournir des garanties supplémentaires ou à promettre quoi que ce soit qui excède ou qui contredit ce qui est énoncé ci-dessus. La responsabilité maximale de fabricant, dans tous les cas, ne peut dépasser le prix d'achat de l'article payé par le premier consommateur. REMARQUE : Certains États ou certaines provinces n'autorisent pas l'exclusion ou la limitation des dommages accessoires ou indirects; il est donc possible que certaines des exclusions ou limitations susmentionnées ne vous concernent pas. La présente garantie limitée vous confère également des droits légaux spécifiques, énoncés dans les présentes. Vous pouvez également avoir d'autres droits qui varient d'un État à l'autre ou d'une province à l'autre. Dans l'État de la Californie seulement, si la retouche ou le remplacement du produit n'est pas commercialement faisable, le détaillant qui a vendu ce produit ou le fabricant remboursera le prix d'achat payé pour le produit, moins le montant directement imputable à l'usage qu'en aura fait le premier consommateur acheteur avant la découverte de la non-conformité. De plus, dans l'État de la Californie seulement, vous pouvez rapporter le produit au détaillant qui vous l'a vendu pour bénéficier de service en vertu de la présente garantie limitée. Si vous souhaitez assurer l'exécution de toute obligation en vertu de la présente garantie limitée, écrivez à :

Consumer Relations
P. O. Box 1240
Columbus, GA 31902-1240

Les retours de la part des consommateurs ne seront pas acceptés sans autorisation de retour valide. Un numéro d'autorisation de retour doit être clairement inscrit à l'extérieur de l'emballage des retours autorisés, et les colis doivent être expédiés port ou fret prépayé. Les retours de la part des consommateurs qui ne satisfont pas ces normes seront refusés.

PRODUCT REGISTRATION / REGISTRACIÓN DEL PRODUCTO / ENREGISTREMENT DU PRODUIT

Two convenient ways to register your product:

Deux manières pratiques d'enregistrer votre produit:

Dos maneras convenientes de registrar su producto:

1 Online

En ligne

En línea

@ WWW.CHARBROIL.COM/REGISTER

2 By Mail | Par la poste | Por correo

Please fill out this card and attached a copy of your sales receipt. Return it within 10 days of purchase for warranty service. Proof of purchase will be required. The warranty is not transferable.

Veillez remplir cette carte et joindre une copie de votre reçu de vente. Renvoyez-le dans les 10 jours de l'achat pour le service de garantie. Une preuve d'achat sera nécessaire. La garantie n'est pas transférable.

Por favor llene esta tarjeta y adjunte una copia de su recibo de compra. Devuelva en el plazo de 10 días de la compra para el servicio de la garantía. Se requerirá prueba de compra. La garantía no es transferible.

*Required | Obligatoire | Necesario

**Please Print | Veuillez imprimer | Por favor imprima

*1. First Name Prénom Nombre	Initial Initiale Inicial	Last Name Nom de famille Apellido
Address Adresse Dirección		Apt. No No d'appt No de appart
City Ville Ciudad		State Etat Estado
Zip Code Code post Código post		
*2. E-mail Address Adresse e-mail Dirección de correo electrónico		
*3. Phone Number Numéro de téléphone Número de Teléfono		
*4. Model Number Numéro de modèle Número de modelo		
Serial Number Numéro de série Número de serie		
6. Date of Purchase Date d'achat Fecha de compra		
7. Store Name Nom du magasin Nombre de la tienda		
8. Purchase Price Prix d'achat Precio de compra		

*5. Attach copy of your sales receipt here.
Joignez une copie de votre reçu de vente ici.
Adjunte una copia de su recibo de venta aquí.

We respect your privacy | Nous respectons votre vie privée | Respetamos su privacidad If you prefer not to receive special offers and promotions from Char-Broil, please check here:
Si vous préférez recevoir des offres et promotions spéciales de Char-Broil, veuillez vérifier ici:
Si estás buscando un lugar para alojarse en Char-Broil, compruebe aquí.

Mail to: | Envoyer à: | Correo a:
Char-Broil Warranty Registration
P.O. Box 1240
Columbus, Ga 31902-1240

Thank you for completing this questionnaire | Merci d'avoir rempli ce questionnaire. | Gracias por completar este cuestionario

CB[®]

CHARBROIL

©2023 Char-Broil, LLC. Columbus, GA, 31904.

Printed in China. Impreso en China.

The product associated with this guide was manufactured in China.

Tel producto asociado con esta guía ha sido fabricado en China.

