



RentACoop®

INSTRUCTIONS

# 10LB WEATHERPROOF MOUNTED CHICKEN FEEDER



Help others by sharing your experience in the form of a review.

[amazon.com/ryp](https://amazon.com/ryp)

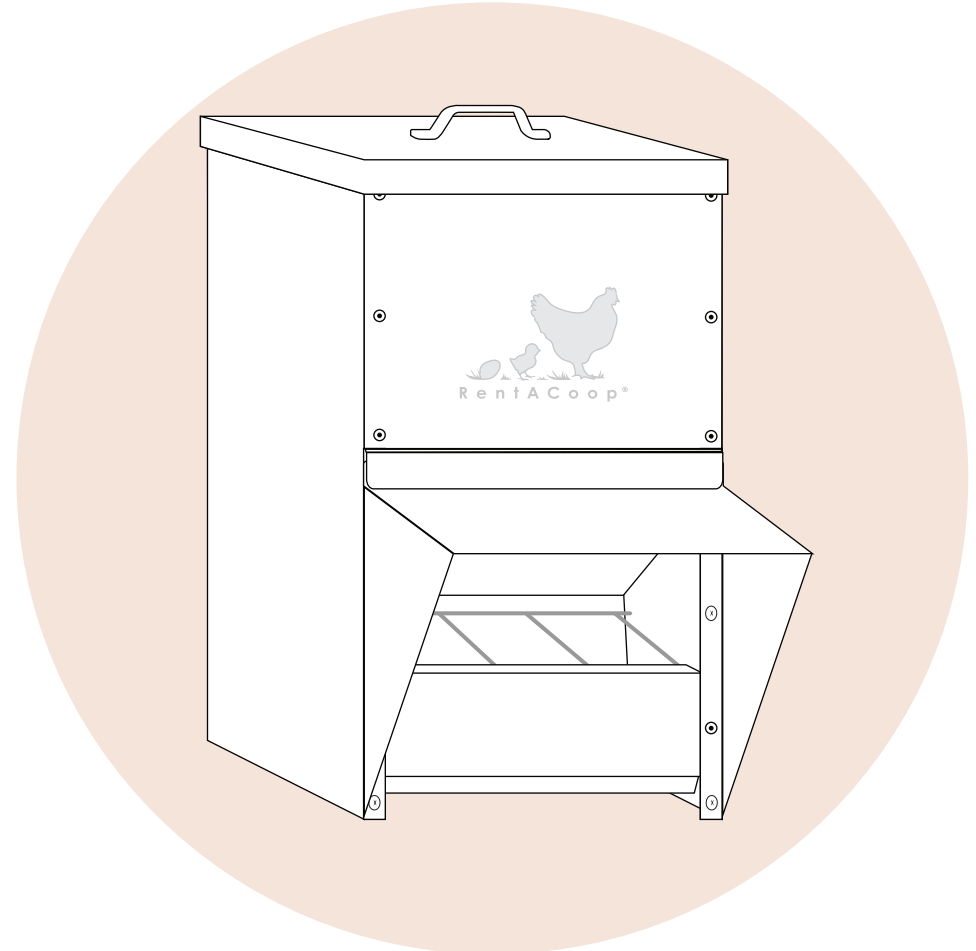
"Review Your Purchase"



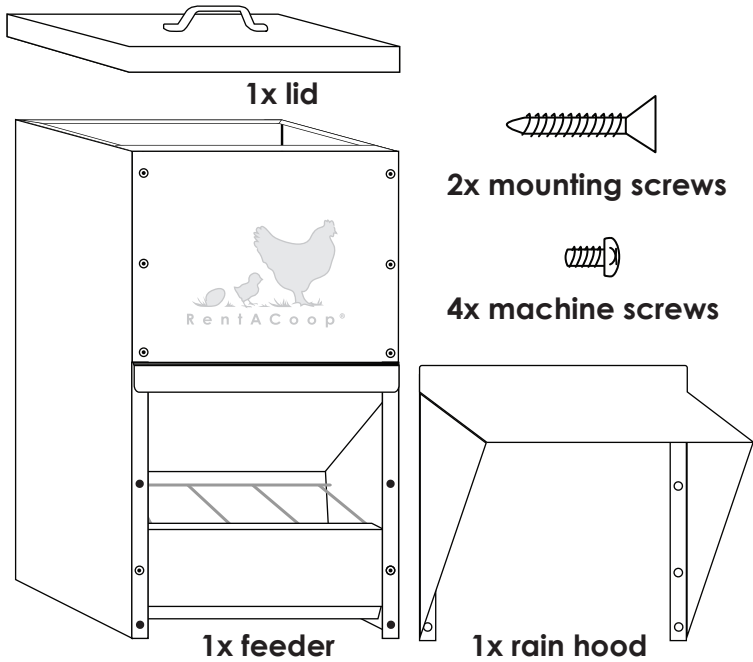
[www.RentACoop.com/videos](http://www.RentACoop.com/videos)



@rentacoop  
#rentacoop



# package contents



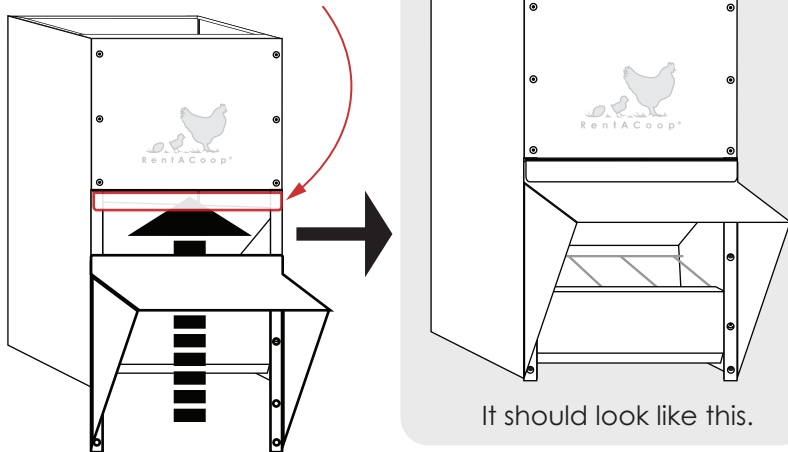
YOU WILL NEED A  
PHILLIPS-HEAD  
SCREWDRIVER  
(NOT INCLUDED)



# INSTRUCTIONS

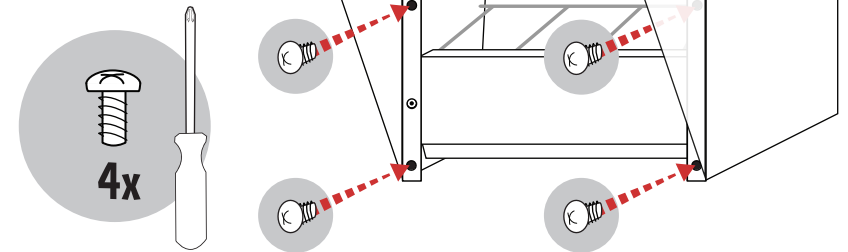
**NOTE:** For steps 1-2, lay the feeder on its back on a table for easy assembly.

**1** Slide rain hood UNDER feeder lip.

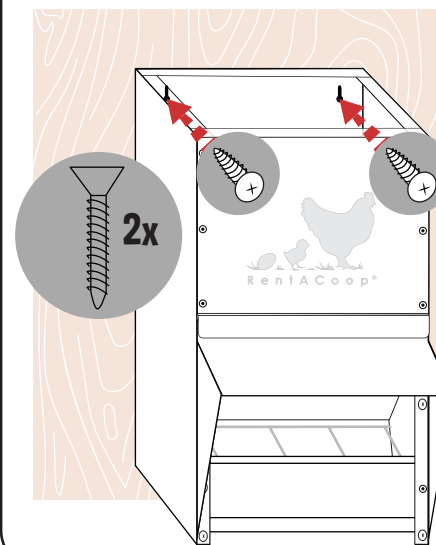


**2** Align the pre-drilled holes of the rainhood with the holes of the feeder.

Using a screwdriver, secure the rainhood to the feeder by screwing in four of the machine screws using a Phillips-head screwdriver.



**3** Anchor your feeder to a wall using the (2) mounting screws provided.



**4** Fill with feed and cover with lid.

