

Help others by sharing your experience in the form of a review.

[amazon.com/ryp](https://amazon.com/ryp)  
"Review Your Purchase"

 [www.ShopRentACoop.com](http://www.ShopRentACoop.com)

 [rentacoopus](https://www.instagram.com/rentacoopus)  
[#rentacoop](https://www.instagram.com/rentacoopus)

**NEED HELP?**

The World's  
**BEST**  
CUSTOMER SERVICE

[info@rentacoop.com](mailto:info@rentacoop.com)  
1 800-642-3571



Available Monday to Friday 9am – 5pm EST

**THANK YOU FOR SUPPORTING OUR SMALL FAMILY FARM!**

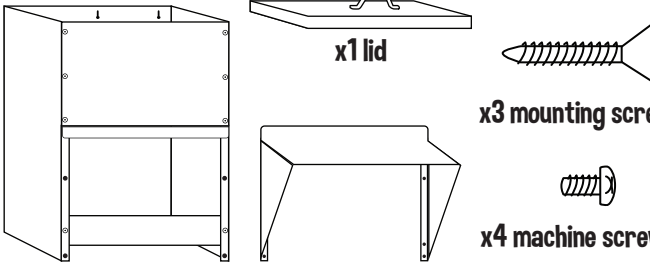
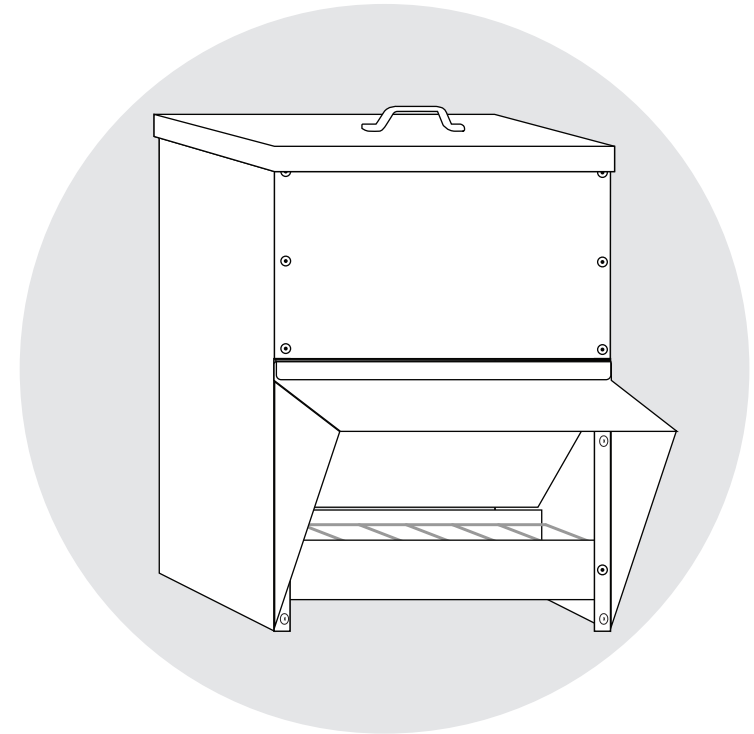


Rent A Coop®

INSTRUCTIONS

# MOUNTED FEEDER

50LB CAPACITY




x1 feeder

x1 lid

x3 mounting screws

x4 machine screws

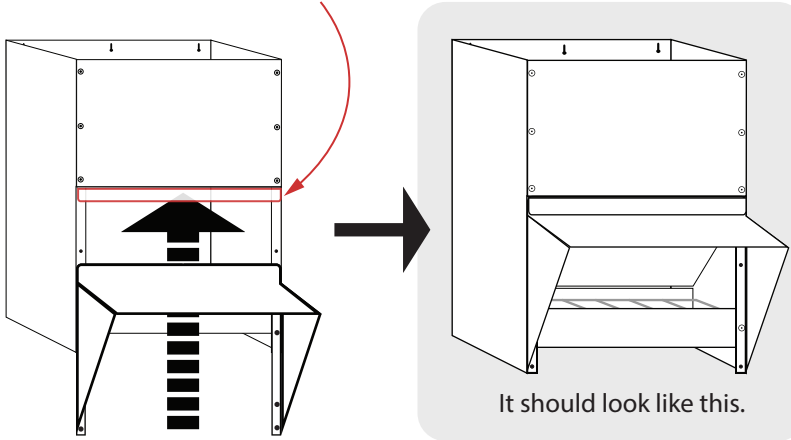


YOU WILL NEED  
A PHILIPS HEAD  
SCREWDRIVER  
(NOT INCLUDED)

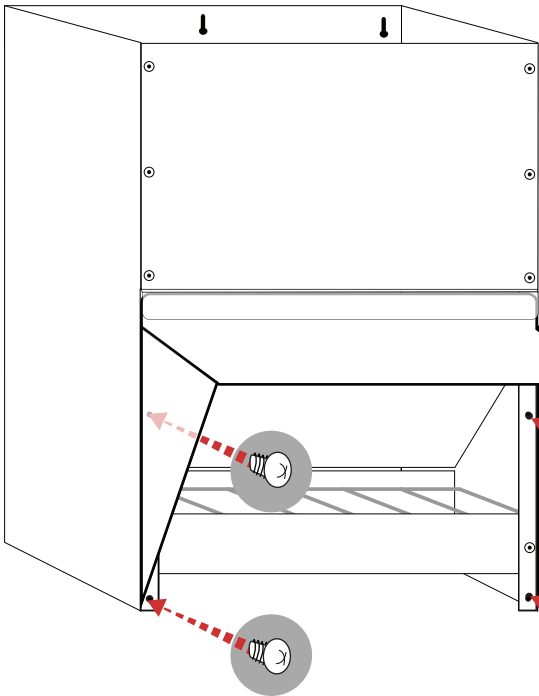
**NOTE:** For steps 1-2, lay the feeder on its back on a table for easy assembly.

**1**

Slide rain hood **UNDER** feeder lip.



**2**



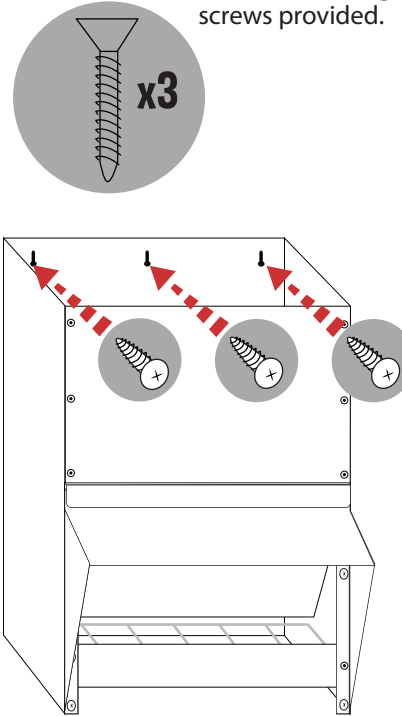
Align the pre-drilled holes of the rainhood with the holes of the feeder.

Using a screwdriver, install four of the machine screws first into the four corners of the aligned pre-drilled holes.



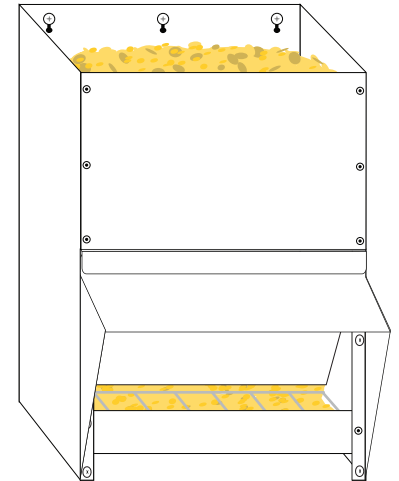
**3**

Anchor your feeder to a wall using the three mounting screws provided.



**4**

Fill with feed and cover with lid.



**WATCH IT ON**  
 **YouTube**

Go to [Rentacoop.com/videos](https://rentacoop.com/videos) for video instructions and other helpful tips and tricks.