



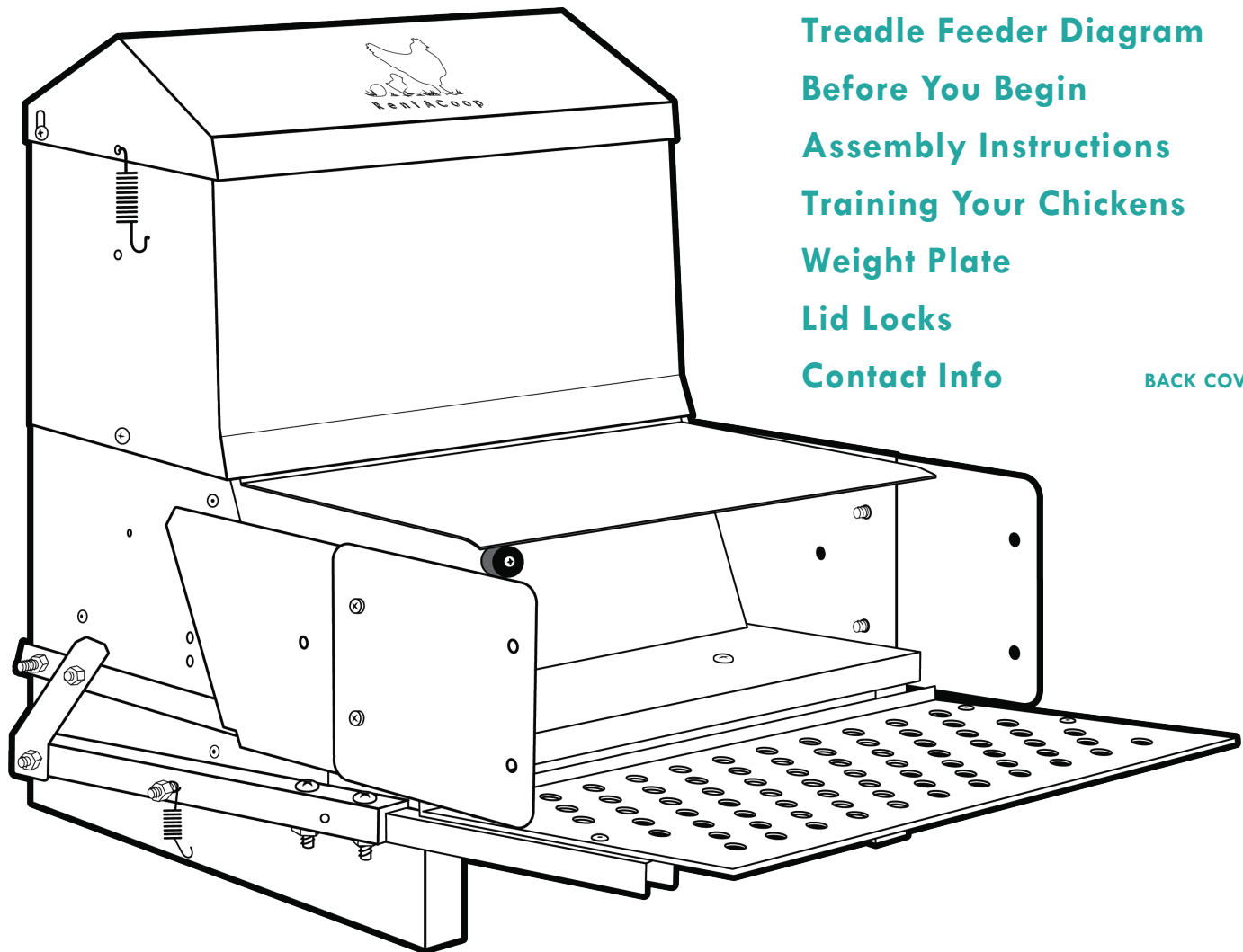
TREADLE FEEDER

40-POUND CAPACITY

USER MANUAL

CONTENTS

List of Parts Included	2
Treadle Feeder Diagram	2
Before You Begin	3
Assembly Instructions	4
Training Your Chickens	6
Weight Plate	7
Lid Locks	7
Contact Info	BACK COVER



THIS PRODUCT IS INTENDED FOR FULL-SIZED CHICKENS THAT ARE 12 WEEKS AND OLDER AND BANTAM CHICKENS THAT ARE 20 WEEKS AND OLDER



Lists of Parts Included



4x
locknuts



8x
machine
screws



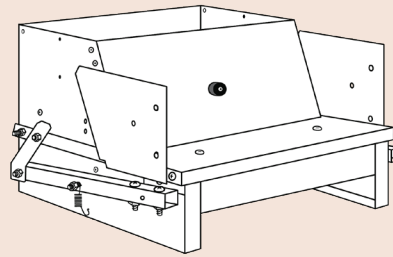
2x
lid
screws



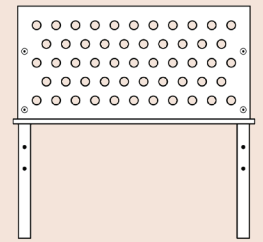
2x
training
bolts



4x
treadle
bolts

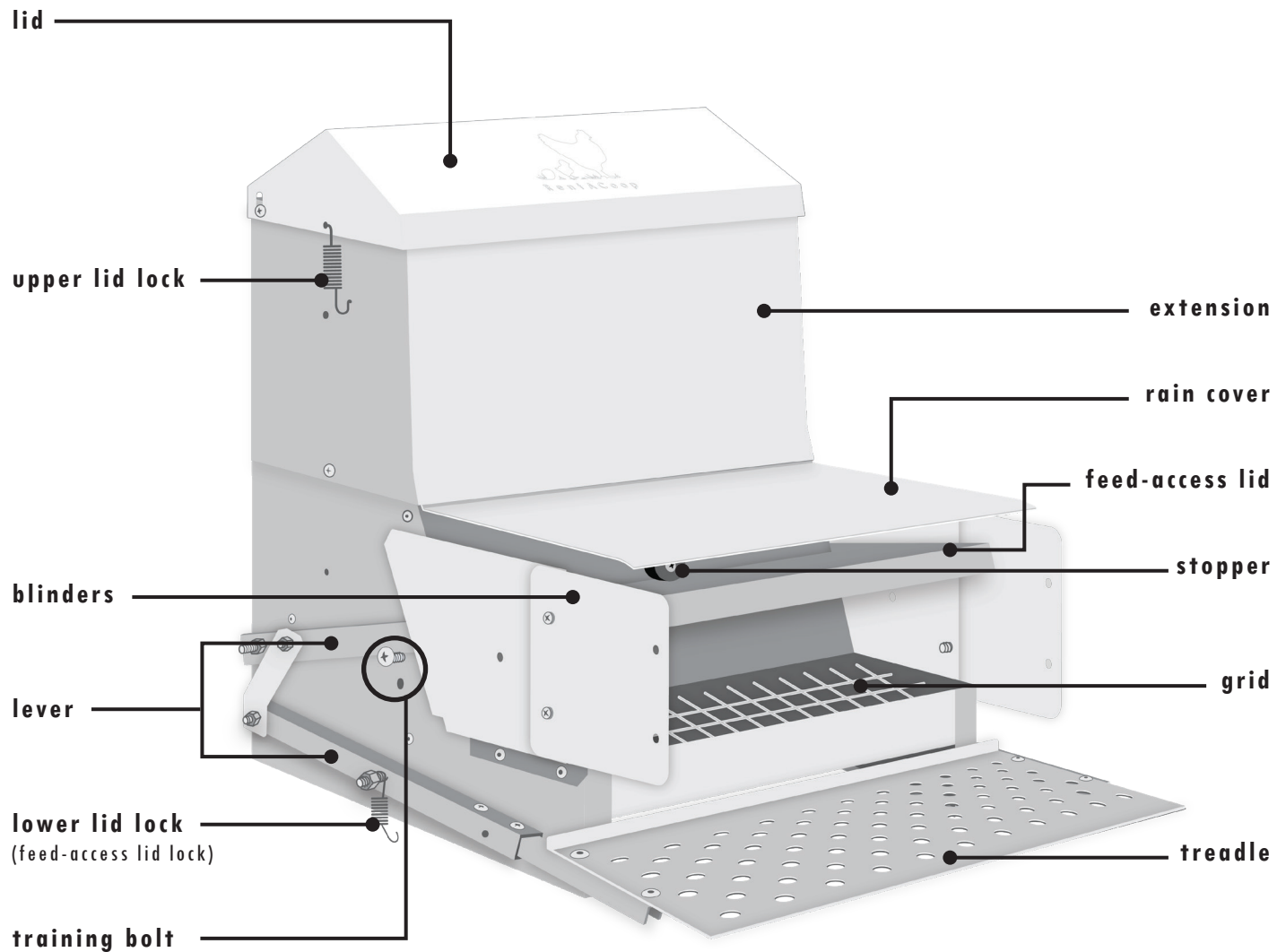


1x
feeder



1x
treadle

Treadle Feeder Diagram

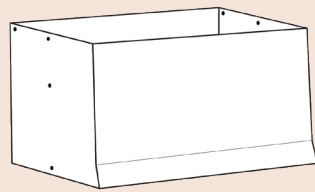


Place treadle feeder on level ground for best results.

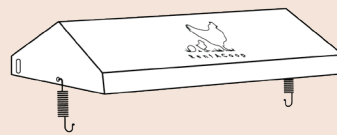




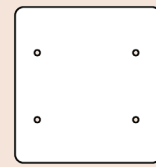
1x
rain cover



1x
feeder
extension



1x
lid



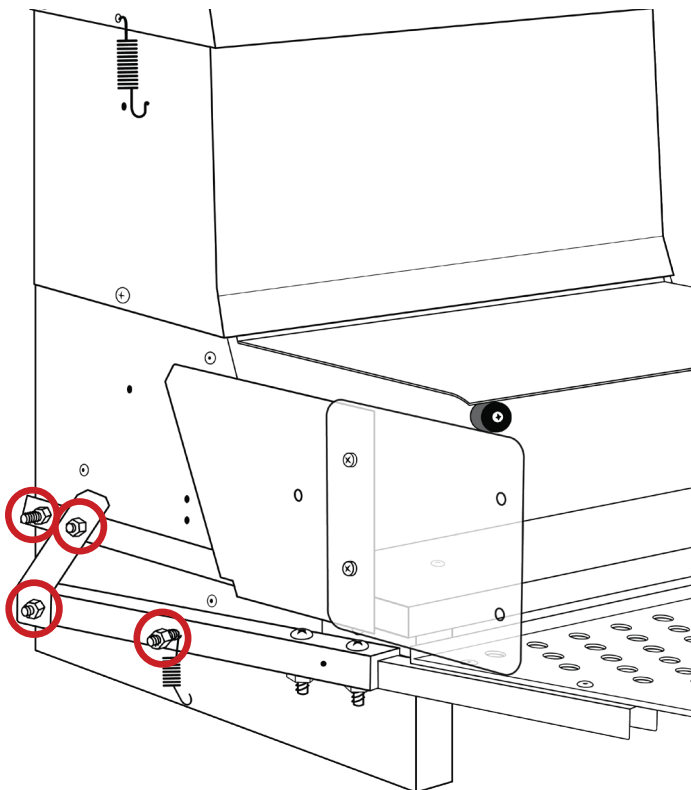
2x
blinders

Before You Begin

YOU WILL NEED

- wrench
- drill (recommended) or phillips-head screwdriver

DO NOT TIGHTEN ANY OF THE LOCK NUTS CIRCLED BELOW!

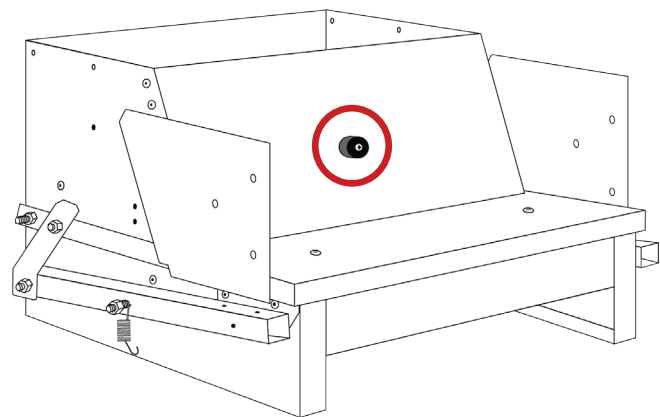


DO NOT TIGHTEN LOCK NUTS ON EITHER SIDE OF THE FEEDER! THEY MUST REMAIN LOOSE!

The lock nuts are loose on purpose. This allows the feed-access lid to open with the same amount of applied pressure/weight every time the treadle is stepped on. Tightening these lock nuts will make it difficult for your chickens to open the feed-access lid. These are lock nuts and **will not fall off over time.**

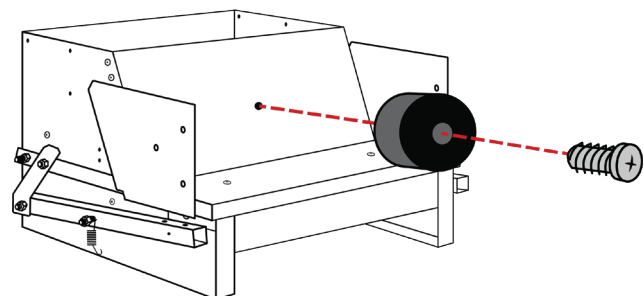
MAKE SURE THE STOPPER IS ON THE FEEDER!

The stopper limits the noise caused by the feed-access lid opening and prevents the lid from clinging to the feeder so that it will not be left open when unattended.



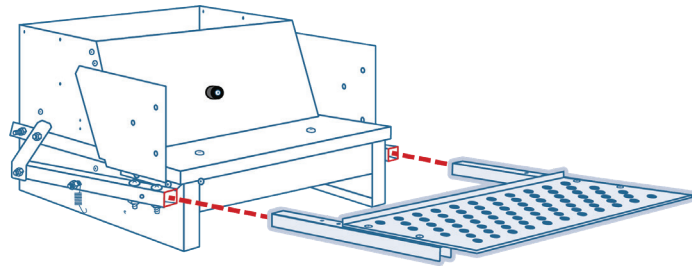
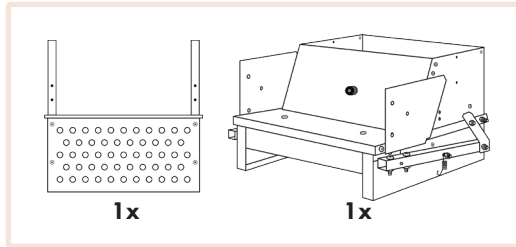
YOUR FEEDER MAY HAVE ARRIVED WITH THE STOPPER ALREADY PRE-INSTALLED.

If the stopper is not already attached to the feeder, attach the rubber stopper on the feeder using the screw provided.

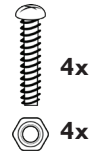


Assembly Instructions

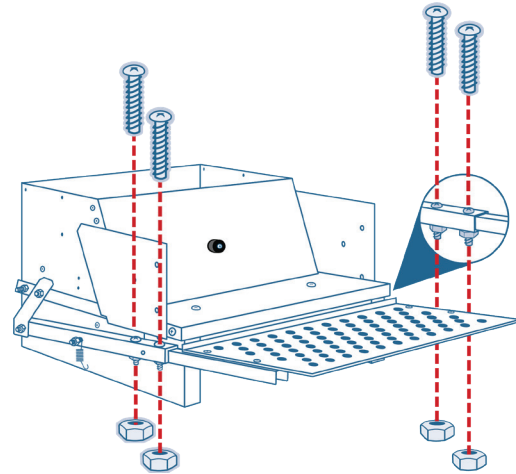
1 Slide the treadle into the levers of the feeder.



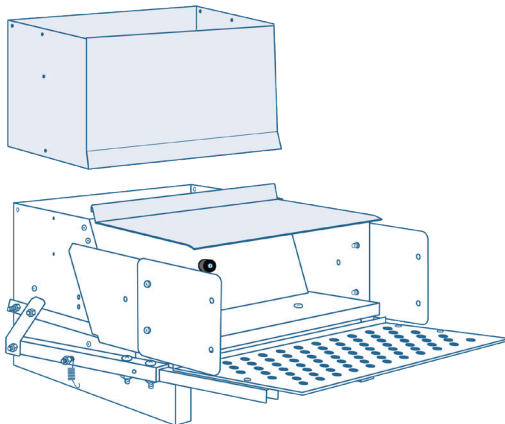
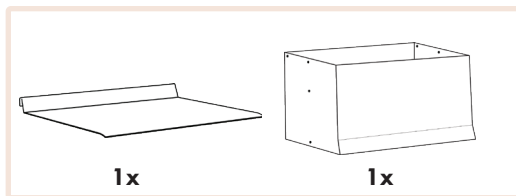
2 Secure the treadle to the levers using the [4] treadle bolts and [4] lock nuts provided.



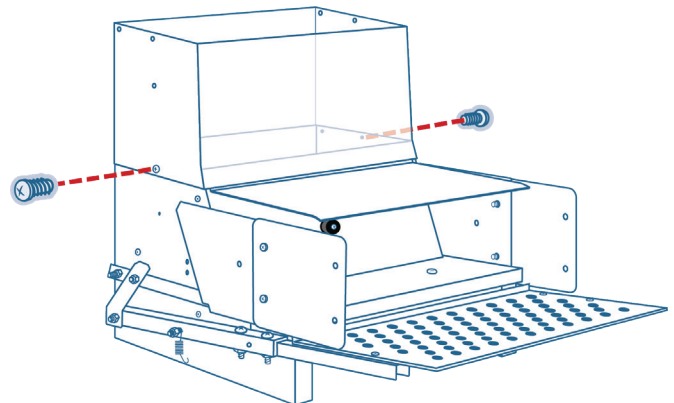
TIP: We recommend using a wrench to hold the lock nuts in place while using a drill to fasten in the screws to the lock nuts.



5 For outdoor use, attach rain cover by hanging the rain cover over the front brim of the feeder. Place the extension over the rain cover and feeder.

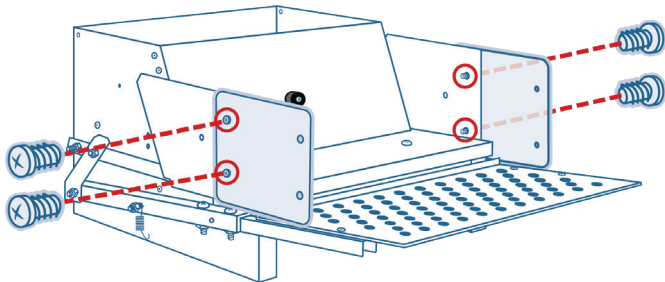
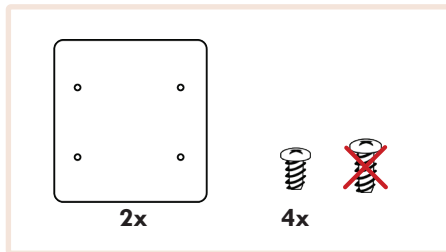


6 Attach extension to feeder using two of the machine screws provided.





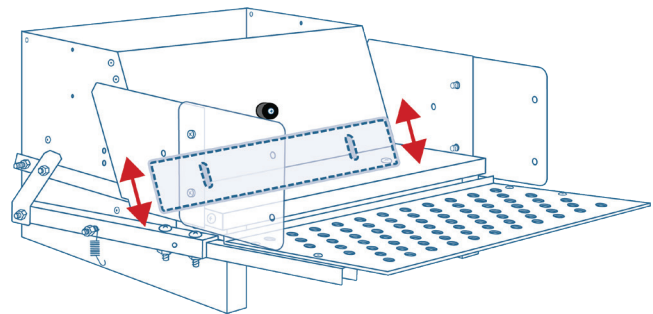
- 3** Attach the two blinders using four of the machine screws provided.



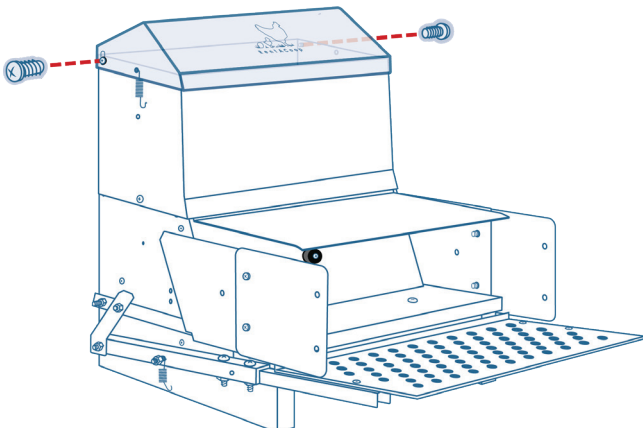
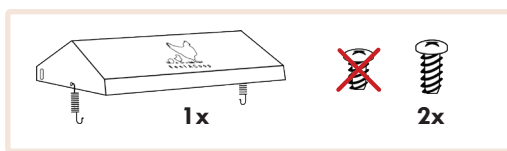
- 4** Raise or lower the feed-flow plate to the desired height by adjusting the lock nuts located inside the feeder and repositioning the plate. (Plate and lock nuts are viewable from the top. See diagram below for location of feed-flow plate).

For PELLETS — lift plate to highest position.

For CRUMBLES, GRAIN OR SCRATCH — set the plate on the lowest to medium setting.

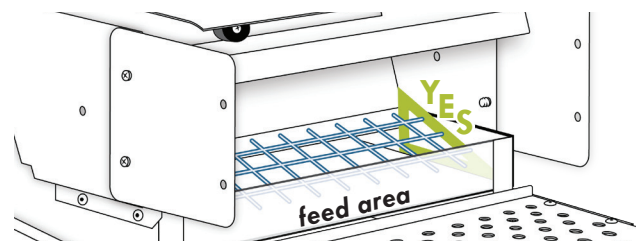


- 7** Attach upper lid using the [2] lid screws provided. Do not tighten all the way in order to allow the lid to open and close easily.

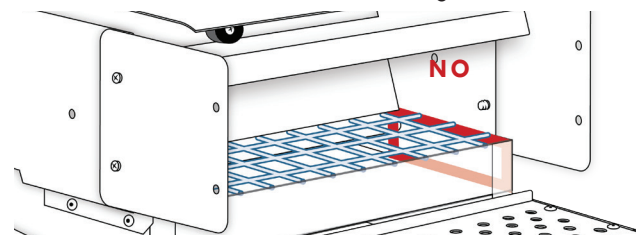


- 8** Check the position of the grid (located inside the feeder below the feed-access lid).

The grid should be at an angle where the front of the grid is angled **towards the bottom of the feed area**.



If the front of the grid is level with the top of the feed area, the chickens will not be able to access the feed should the feed-level ever get too low.



Training Your Chickens

MOST IMPORTANT STEP!

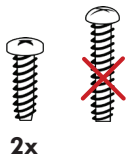
Remove the old feeder and put the new treadle feeder in the **exact same spot**.

First week with the feeder — Over the first week, our goal is to familiarize the chickens to the sight and sound of their new feeder. To begin training, raise the feed-access lid as high as possible and place the training bolts into **position #1** (see diagram below) on both sides of the feeder. This allows the feed-access lid to remain open with minimal movement. Your chickens will be able to see the feed while limiting the clanking sound of the feeder while they're eating.

Week 2 with the feeder — Move the training bolt to **position #2** (see diagram below). When the chickens step onto the treadle this week, the lid will move and open two inches. This will prepare them for a feeder that opens fully and quickly next week.

Week 3 and beyond — Remove the training bolts. At this point, your chickens should be fully-trained on how to use their new feeder.

training bolts

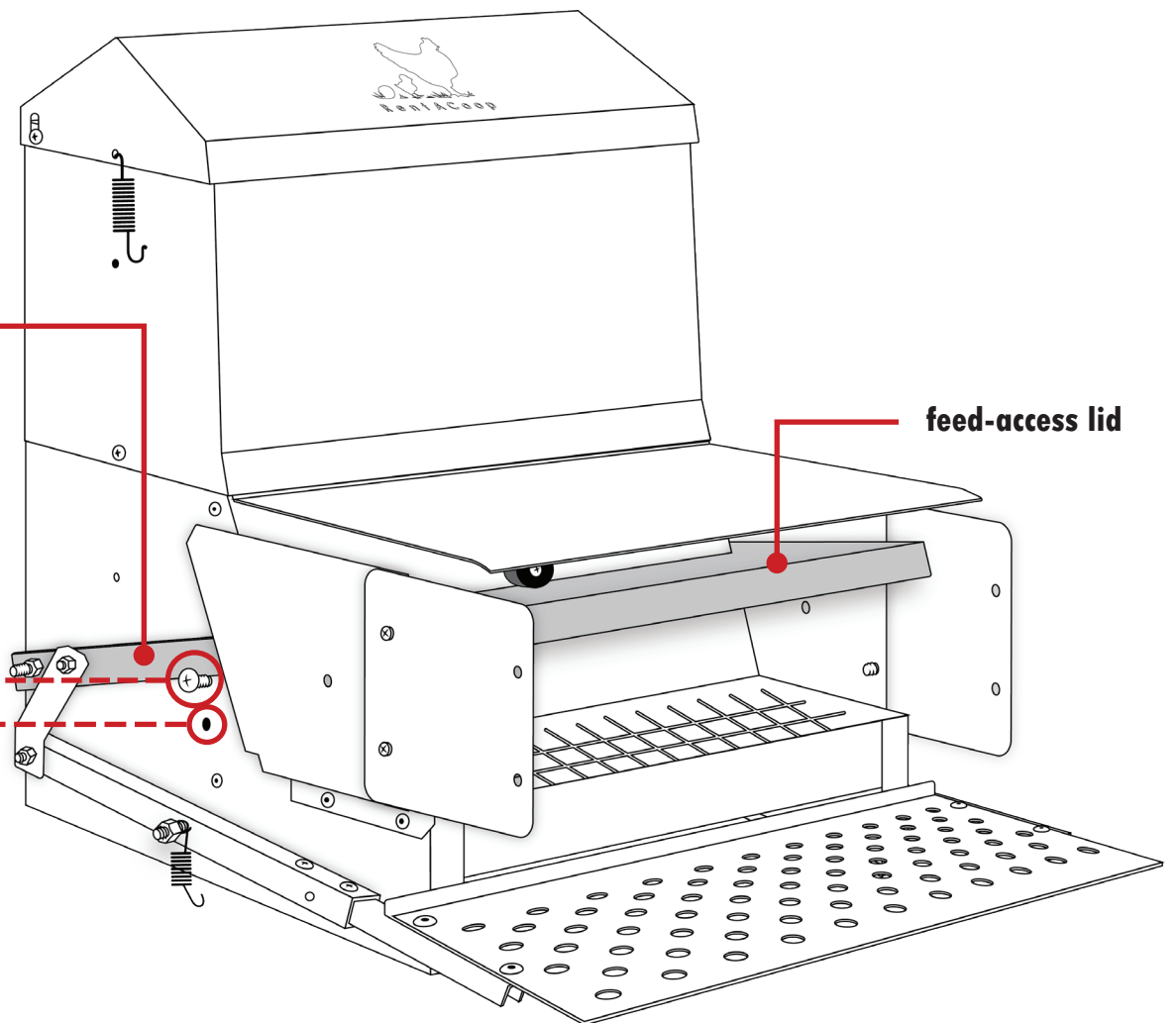


lever

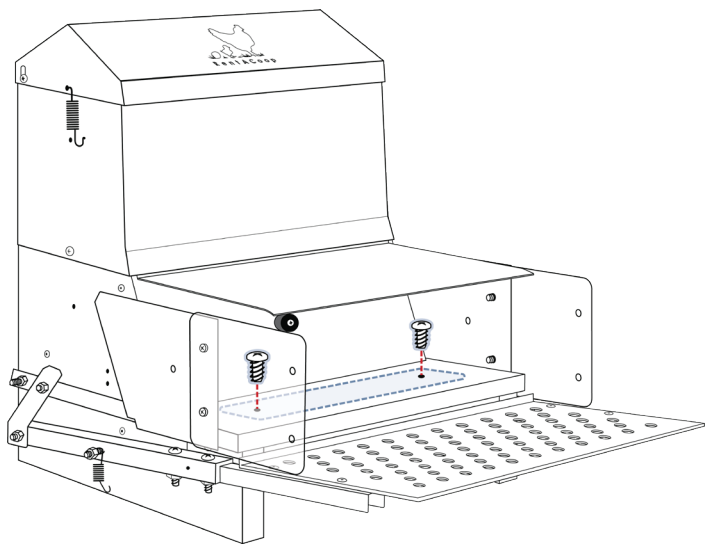
(Note — During training, make sure the lever (the one attached to the feed-access lid) sits above the training bolt so the feed-access lid remains open at all times).

position #1

position #2



Weight Plate



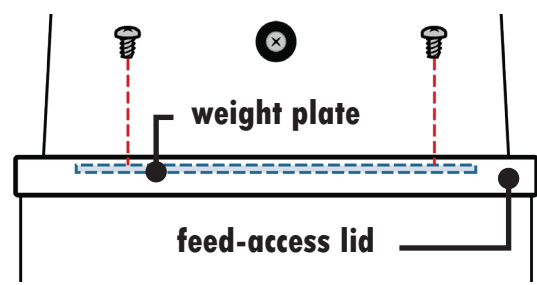
The weight plate is attached underneath the feed-access lid and is secured by two screws.

If your flock consists of normal-sized chickens that weigh 3 pounds or more, leave the weight plate attached.

If you have Bantam chickens or chickens that are **under 3 pounds**, remove the weight plate.

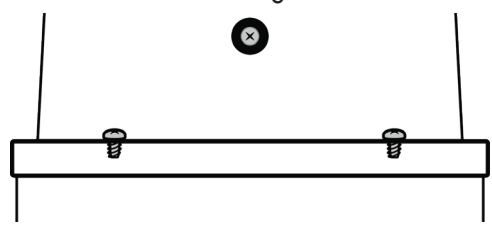
Weight Plate Removal — follow steps 1-3 below

1 — Remove the two screws that are located on top of the feed-access lid.



2 — Release and remove the weight plate.

3 — Replace the screws back onto the feed-access lid to prevent water from entering the feeder.

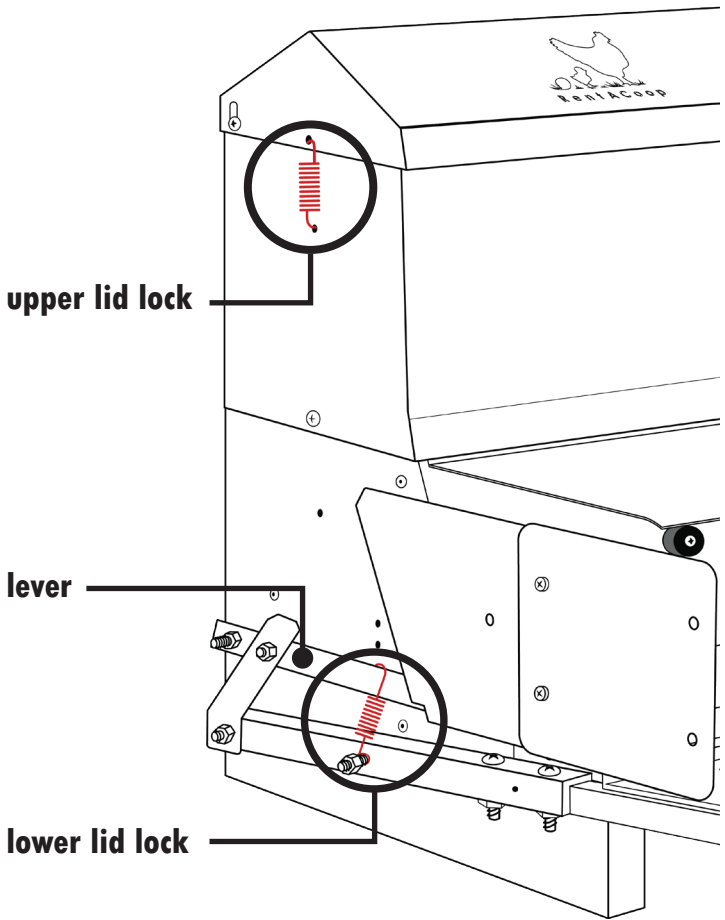


Lid Locks



Lid Locks — To lock the main lid, hook the upper lid locks into the sides of the feeder [into the holes as illustrated below]. Do this for both sides.

Use the lower lid locks at night to stop the feeder from opening for other creatures that can step on the treadle (such as raccoons). Latch the lower lid lock onto the lever above it to stop the feed-access lid from opening. Make sure to lock both levers located on the left and right sides of the feeder.





Increase the capacity of
our treadle feeder with

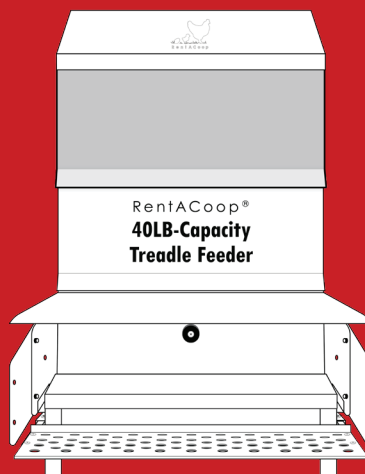
RentACoop® 15LB Treadle Feeder Extension

Sold Separately



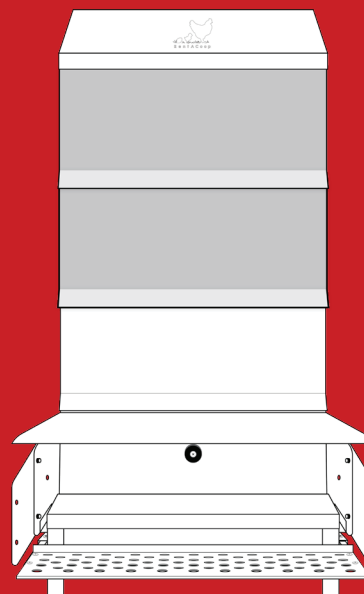
Each extension increases
the feed-capacity by 15
pounds!*

+ one extension



= 55LB-Capacity

+ two extensions



= 70LB-Capacity

*We recommend a maximum load capacity of 70 pounds total per treadle feeder.



RentACoop®

QUESTIONS?

CONTACT OUR
EGG - SPERTS

info@rentacoop.com

1 800-642-3571

M-F 9-5 EST



@rentacoop
#rentacoop

v. 21.11

