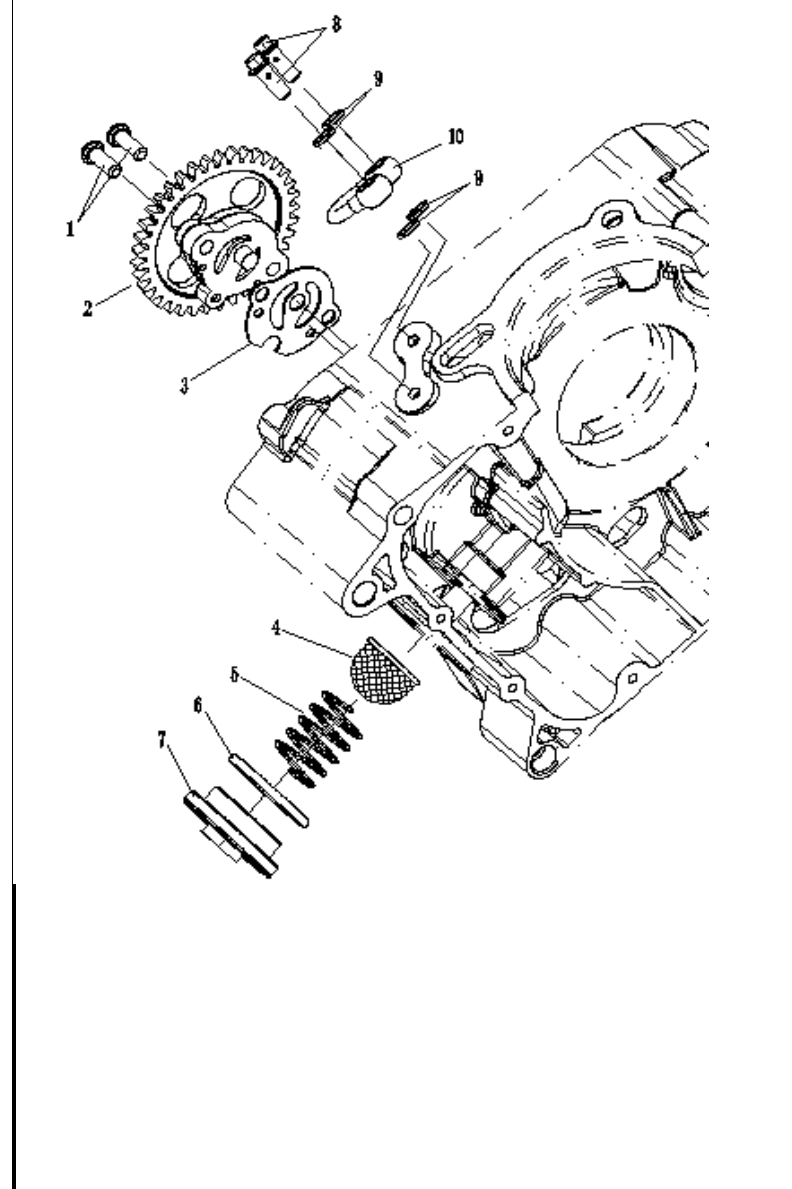


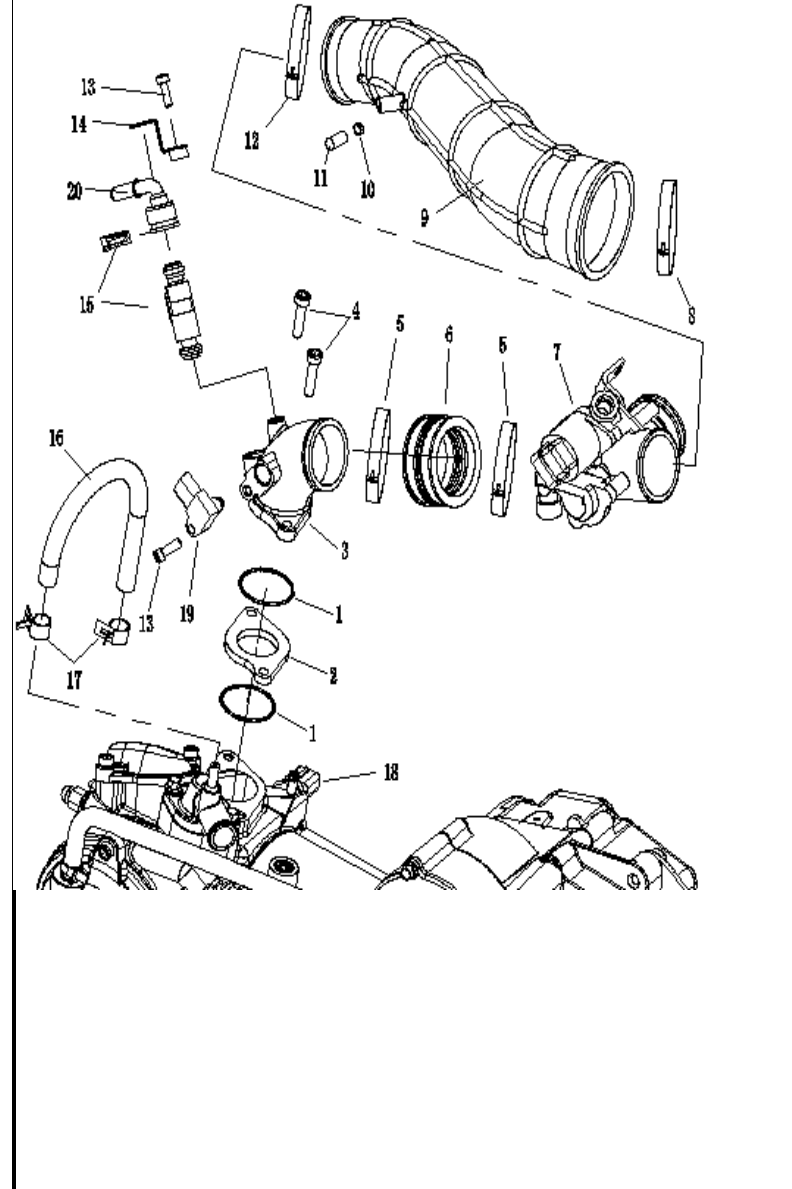
18	9186306030166300	4	GB/T 5789 M6×30 六角法兰面螺栓 (大)	FLANGE BOLT M6X30	
19	1MQ1248500	1	发动机出水管	RETURN HOSE, CYLINDER	
20	1MQ1248400	1	发动机进水管	FEED HOSE, VALVE	
21	2MU5040200	1	水箱缓冲橡胶垫	WATER TANK RUBBER CUSHION	
22	940832000001300	2	GB/T 1230 20钢结构用高强度垫圈	Gaskets 20	
23	1MQ1249900	1	阀体	SUPT FILLER NECK	
24	9276360120111300	1	GB/T 973 M6×12 大扁头内六角螺栓	Screw M6×16 (GB/T 973)	
25					

NO.09 润滑系统组件



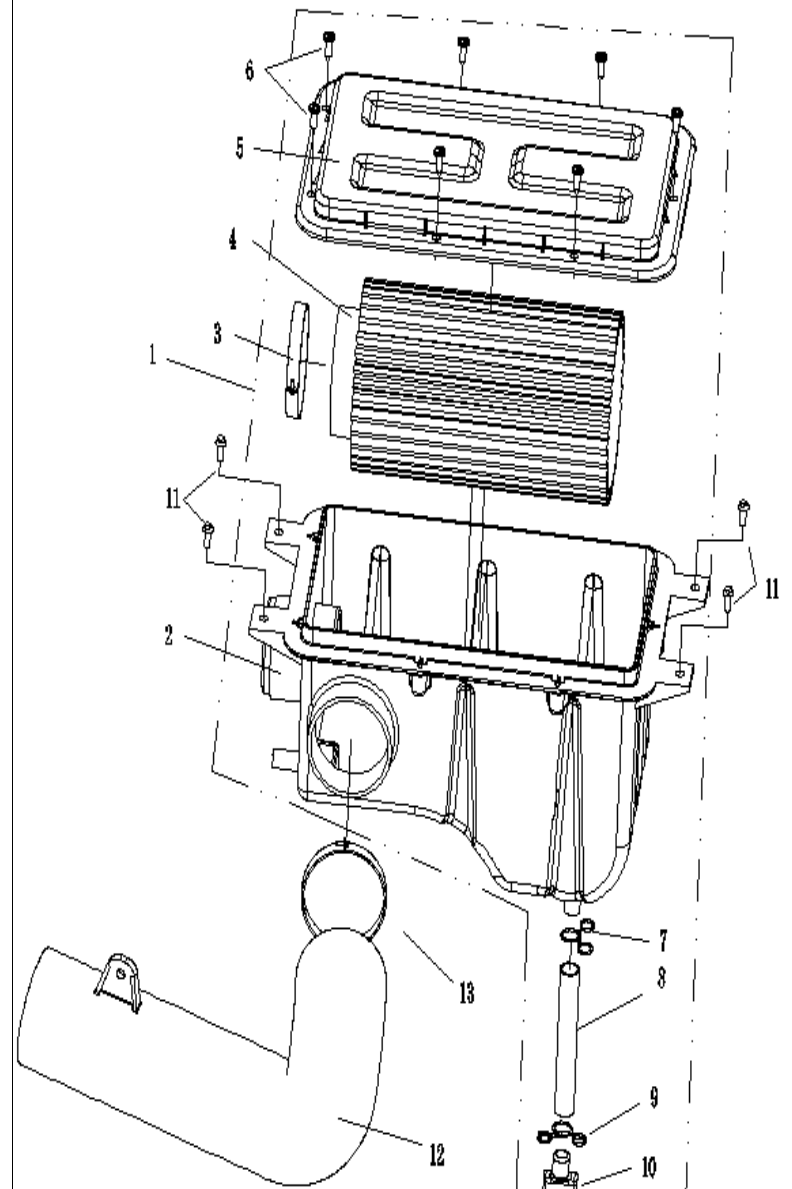
REF. No.	PART No.	Q'TY	PART NAME	PART NAME	REMARK
1	9214360250005300	2	GB/T818 十字盘头螺钉M6X25	SCREW M6X25	
2	1MQ1331000	1	机油泵部件	OIL PUMP ASSY	
3	1MQ1331700	1	纸垫	GASKET	
4	1MQ1343600	1	滤网组件	OIL STRAINER	
5	1MQ1343700	1	滤油网弹簧	COMPRESSION SPRING	
6	1MQ1343300	1	O型圈36X3.5	O-RING 36X3.5	
7	1MQ1343100	1	放油盖	DRAIN PLUG	
8	1ME1342500	2	过油螺栓	THROUGH-OIL BOLT	
9	1ME1342600	4	垫片	SEAL GASKET	
10	1MQ1343200	1	接头油管	Connector oil pipe	
11					
12					
13					
14					
15					
16					
17					
18					
19					
20					
21					
22					
23					
24					
25					

NO.10 进气系统组件



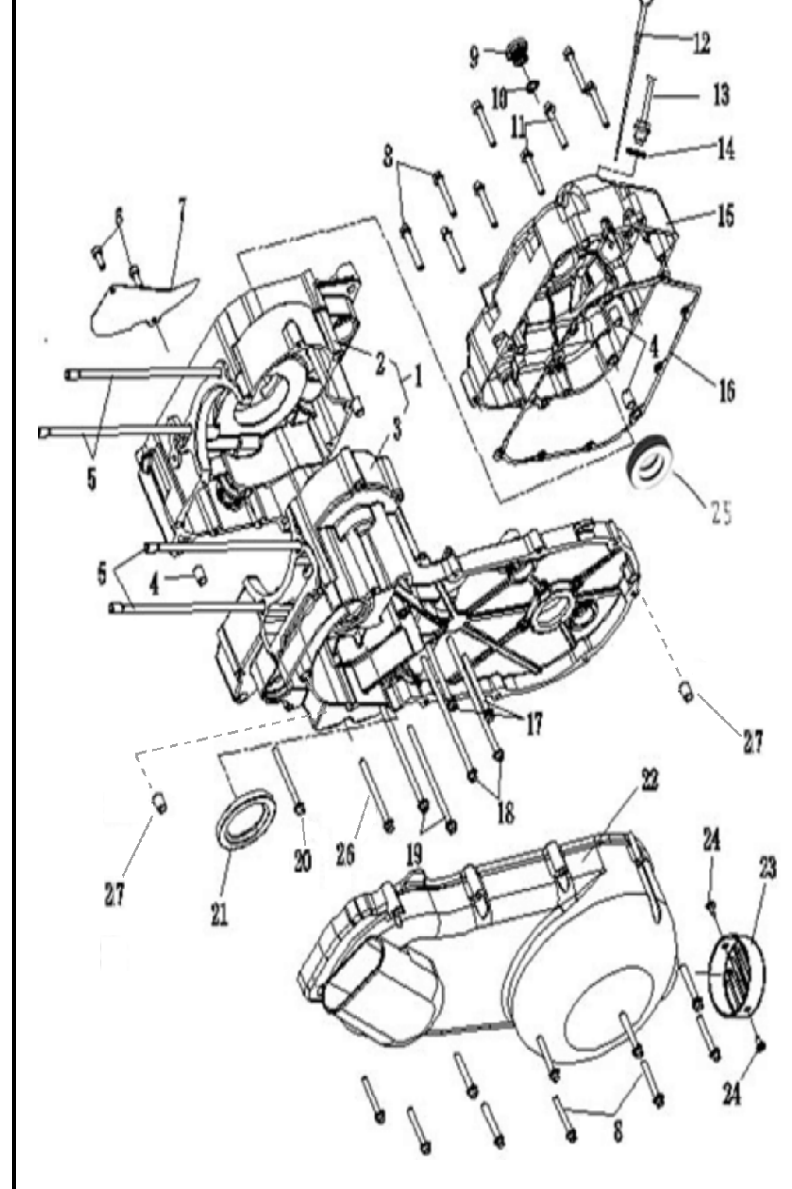
REF. No.	PART No.	Q'TY	PART NAME	PART NAME	REMARK
1	1MQ1358700	2	O型圈35×2	O-RING 35X2	
2	1MQ1358600	1	隔热垫	INSULATION PAD	
3	1MQ1358500	1	进气弯管	CONNECTING BEND	
4	9186306025166300	2	GB/T 70内六角螺钉M6×25	BOLT SOCKET HEAD M6X25	
5	1MQ1371100	2	环箍52	HOSE CLAMP	
6	1MQ1371000	1	橡胶套	RUBBER SLEEVE	
7	1MQ1372000	1	节气阀体	THROTTLE BODY	
8	1MQ1373400	1	出气管卡箍	HOSE CLAMP	
9	1MQ1373300	1	空滤器出气管	AIR CLEANER OUTLET PIPE	
10	1MQ1373600	1	环箍7.5	CLIP 7.5mm	
11	1MQ1373500	1	出气管堵头	OUTLET PIPE PLUG	
12	1MQ1374100	1	环箍35-51	CLIP 35-51	
13	918460100160000	2	GB/T 70内六角螺钉M6×10	BOLT SOCKET HEAD M6X10	
14	1MQ1376400	1	盖帽压板	CAPPING PLATE	
15	1MQ1376200	1	喷嘴	INJECTOR	
16	1MQ1248800	1	小循环水管	SMALL CIRCULATING PIPE	
17	1MQ1248900	2	卡箍11	CLIP 11mm	
18	1MQ1117800	1	冷却液温度传感器	COOLANT SENSOR	
19	1MQ1376100	1	进气温度压力传感器	INTAKE T-P SENSOR	
20	1MQ1376300	1	喷嘴盖帽	INJECTOR CAP	
21					
22					
23					
24					
25					

NO.11 空滤器组件

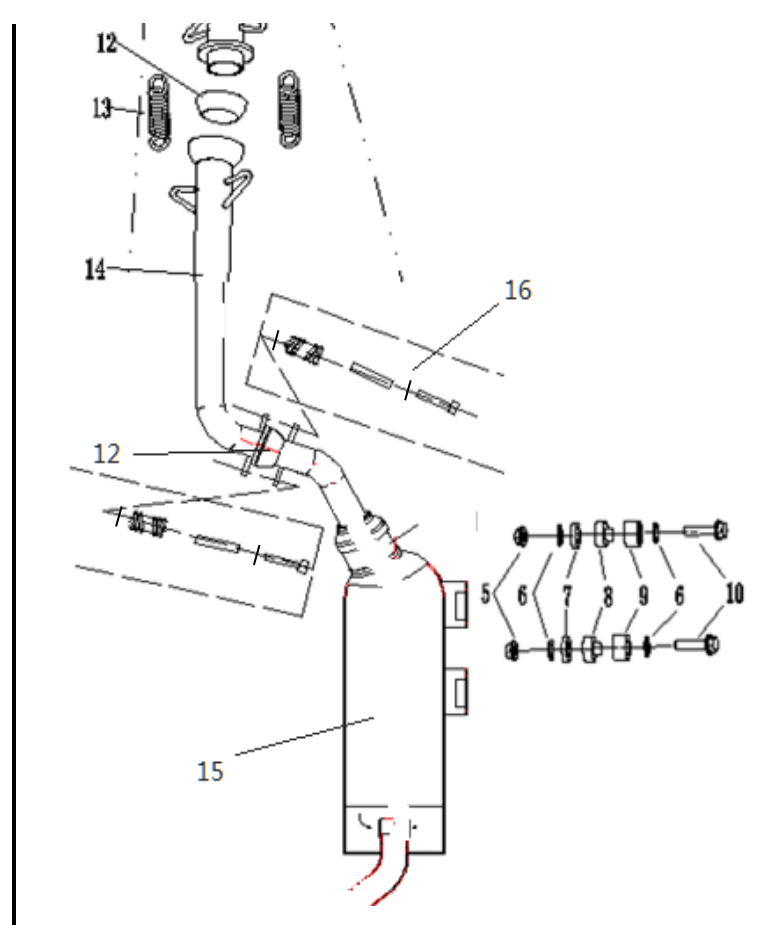


REF. No.	PART No.	Q'TY	PART NAME	PART NAME	REMARK
1	1MQ1373000	1	空滤器部件	AIR CLEANER UNIT	
2	1MQ1374200	1	空滤器体	AIR CLEANER CASE	
3	1MQ1373200	1	滤芯卡箍	AIR CLEANER	
4	1MQ1373100	1	滤芯	AIR CLEANER ELEMENT	
5	1MQ1374300	1	空滤器盖	COVER AIR CLEANER	
6	9271348160006300	7	GB/T845 ST4.8×16十字槽盘头自攻螺钉	CROSS RECESSED PAN HEAD TAPPING SCREWS ST4.8X16	
7	1MQ1373900	1	钢丝卡箍15	CLIP 15mm	自带
8	1MQ1373700	1	集油管	OIL CONNECTING HOSE	
9	1MQ1374000	1	钢丝卡箍13	CLIP 13mm	自带
10	1MQ1373800	1	集油管堵头	OIL CONNECTING HOSE PLUG	
11	9186306016166300	4	GB/T 5789 M6×16 六角法兰面螺栓 (大)	FLANGE BOLT M6X16	
12	1MQ1374800	1	空滤器进气管	AIR CLEANER INTAKE PIPE	
13	1MQ1373400	1	出气管卡箍	HOSE CLAMP	
14					
15					
16					
17					
18					
19					
20					
21					
22					
23					
24					
25					

NO.12 箱体组件

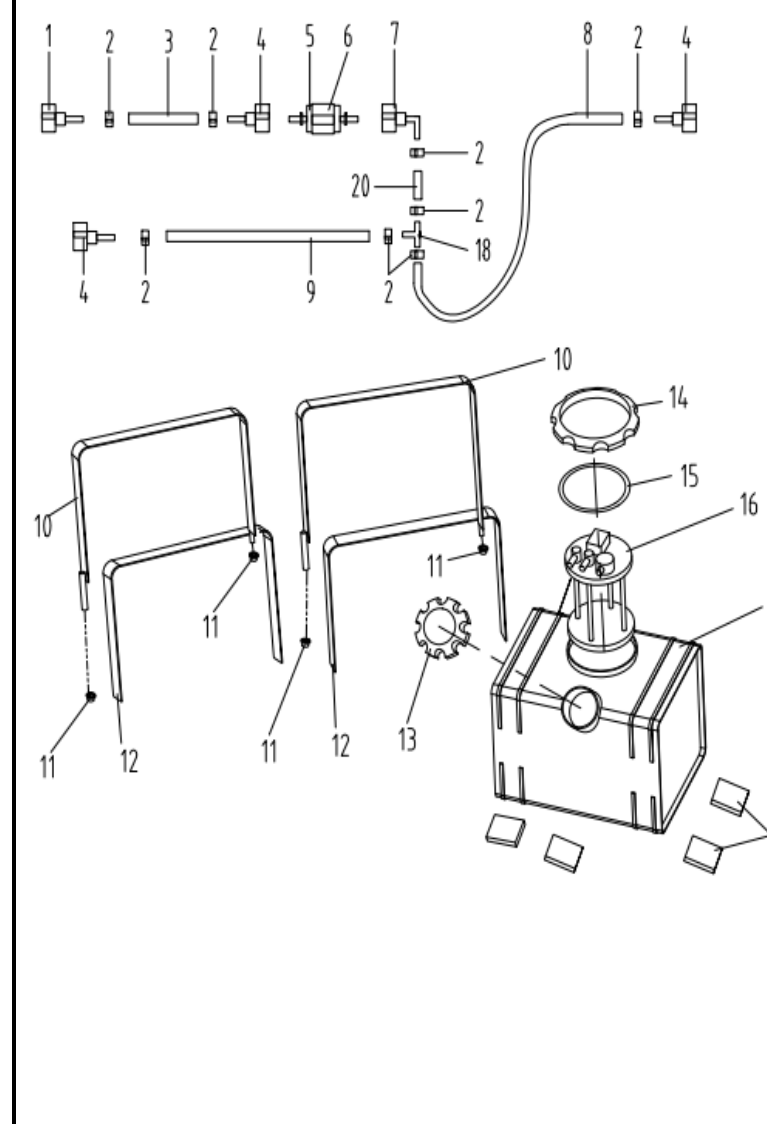


REF. No.	PART No.	Q'TY	PART NAME	PART NAME	REMARK
1	1MQX1511000	1	曲轴箱体组件	CRANKCASE R and L	
2	1MQ1512000	1	右箱	CRANKCASE RIGHT	
3	1MQ1511000	1	左箱	CRANKCASE LEFT	
4	1MQ1112100	4	定位销10X14	DOWEL PIN 10X14	
5	1MQ1511300	4	双头螺栓M8X253.6	STUD BOLT M8X253.6	
6	9218460150160000	2	GB/T70.1内六角螺栓M6X15	SOCKET HEAD BOLT M6X15	
7	1MQ1545700	1	压板	COVER CRANKCASE RIGHT	
8	9184306040105300	18	GB/T16674.1六角法兰面螺栓M6X40	FLANGE BOLT M6X40	
9	1MQ1548600	1	窥视盖	OIL PLUG	
10	9960026140000000	1	GB3452.1O型圈14X2.65	O-RING 14X2.65	
11	9184306045105300	2	GB/T16674.1六角法兰面螺栓M6X45	FLANGE BOLT M6X45	
12	1MQ1536701	1	发动机机油尺(加长)	ENGINE OIL PLUG (L)	
13	1MQ1536600	1	机油尺管	OIL GAUGE PIPE	
14	9960026180000000	1	GB3452.1O型圈18X2.65	O-RING 18X2.65	
15	1MQ1545000	1	右盖	CAP COVER	
16	1MQ1545300	1	右盖垫	RIGHT COVER GASKET	
17	9184306060105300	2	GB/T16674.1六角法兰面螺栓M6X60	FLANGE BOLT M6X60	
18	9184306110105300	2	GB/T16674.1六角法兰面螺栓M6X110	FLANGE BOLT M6X110	
19	9184306085362300	2	GB/T16674.1六角法兰面螺栓M6×85	FLANGE BOLT M6X85	
20	9184306070105300	1	GB/T16674.1六角法兰面螺栓M6X70	FLANGE BOLT M6X70	
21	1MQ1141500	1	曲轴油封30X45X5	OIL SEAL 30X45X5	
22	1MQ1541200	1	左盖 (铝)	COVER CRANKCASE LEFT	
23	1MQ1541400	1	左盖出气管	LEFT COVER/STRACHEA	
24	9184306012102300	2	GB/T16674.1六角法兰面螺栓M6×12 (小)	Bolt M6×12	
25	1MQ1542500	1	右盖油封	R-cover oil seal	



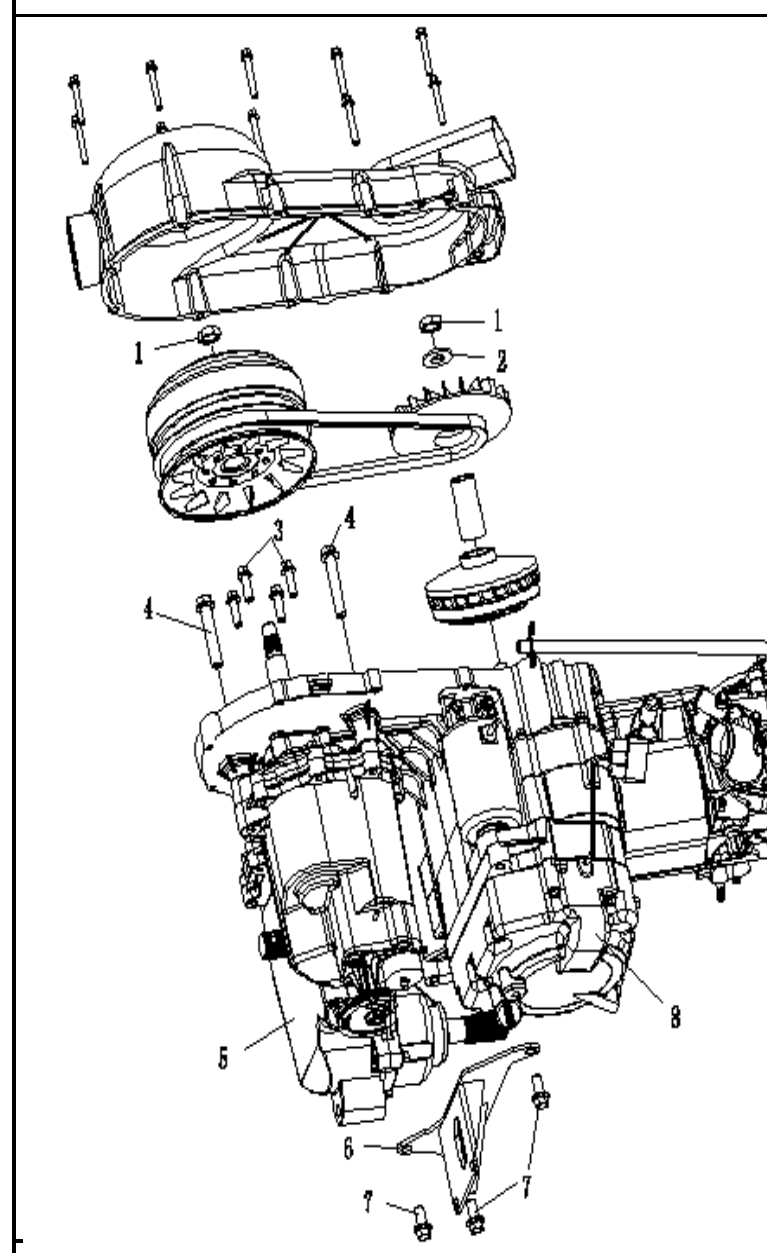
7	1MU5020100	2	消音器隔热垫	SILENCER INSULATION PAD	
8	1MU5010200	2	上安装缓冲橡胶B	MOUNTING BUFFER RUBBER B	
9	1MU5010100	2	上安装缓冲橡胶A	MOUNTING BUFFER RUBBER A	
10	9186310060281300	2	GB/T5789M10×1.25×60 六角法兰面螺栓	FLANGE BOLT M10X1.25X60	
11	1MQ1472300	1	排气管	EXHAUST PIPE	
12	1MQ1472200	2	球型密封垫	BALL TYPE GASKET	
13	1MQ1472100	2	消声器拉簧	MUFFLER SPRING	
14	1MJ1473300	1	排气管中段	EXHAUST PIPE SECTION	
15	1MJ1471100	1	消音器筒体	MUFFLER	
16	1MJ1473200	2	压簧总成	PRESSURE SPRING	
17					
18					
19					
20					
21					
22					
23					
24					
25					

NO.17 燃油系统组件



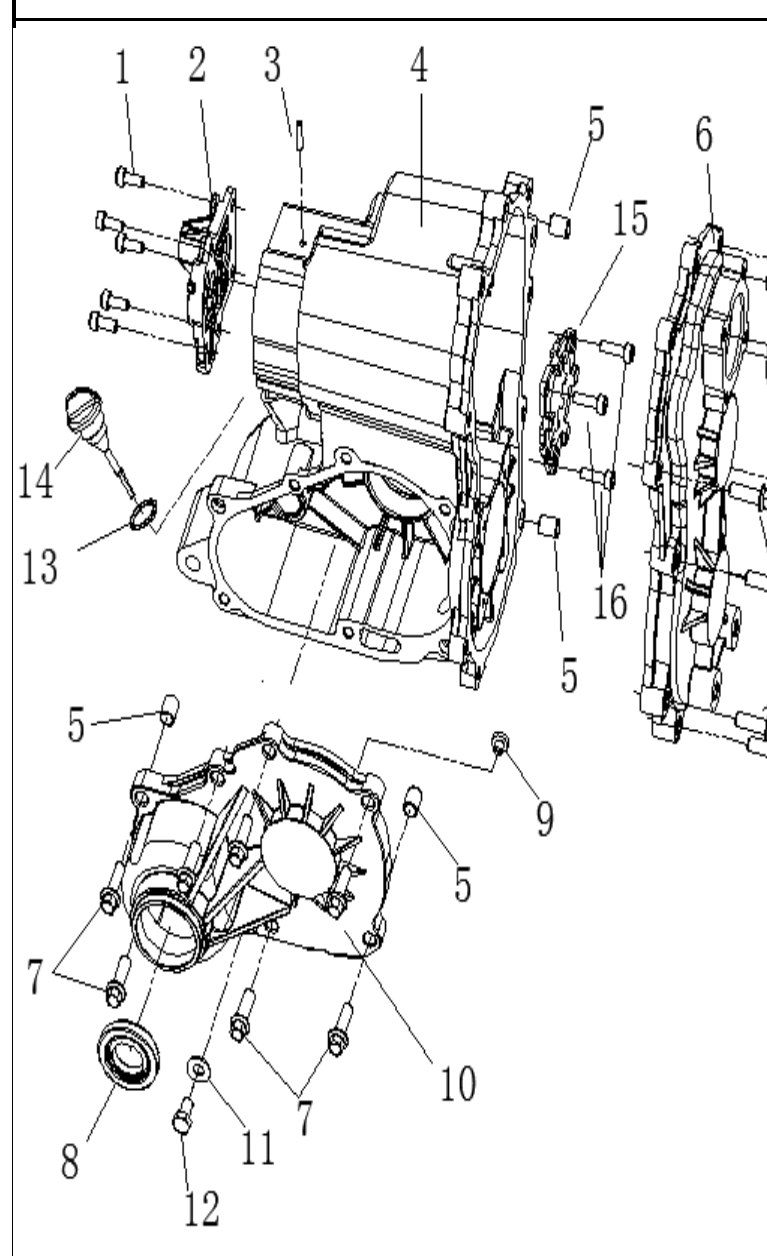
REF. No.	PART No.	Q'TY	PART NAME	PART NAME	REMARK
1	1MQ1391110	1	9.49-6快速接头接头(C1)	QUICKFIT 9.49	
2	1MQ1393100	8	单耳喉箍15.3	HOSE CLAMP 15.3	
3	1MQ1392500	1	油箱出油管	OUTLET PIPE	
4	1MQ1391200	3	快速接头7.89	QUICKFIT 7.89	
5	1MQ1392010	1	燃油滤清器	FUEL FILTER	
6	1MQ1392210	1	燃油滤清器护套	FUEL FILTER Sleeve	
7	1MQ1391210	1	快速接头7.89(直角)	QUICKFIT 7.89 (90°)	
8	1MQ1392800	1	发动机进油管	INLET PIPE	
9	1MQ1392600	1	油箱回油管	RETURN LINE	
10	2MD2411510	2	油箱安装带	MOUNTING BELT	
11	9330308013241300	4	GB/T6187.1M8六角法兰面自锁螺母	NUT M8	
12	1ME2411600	2	油箱安装带内衬	LINING BELT	
13	1ME2413010	1	油箱盖(铝)	FUEL TANK CAP	
14	1MQ1391400	1	油泵盖	OIL PUMP COVER	
15	1ME2413100	1	油泵密封圈	OIL PUMP SEAL RING	
16	1MQ1391000	1	汽油泵	GASOLINE PUMP	
17	2MD8051000	1	油箱焊接组件	FUEL TANK	
18	1MQ1391300	1	三通接头		
19	1MU6180100	4	三鑫减震垫	SHOCK PAD	
20	1MQ1392700	1	滤清器连接油管		

NO.18 发动机-变速箱连接



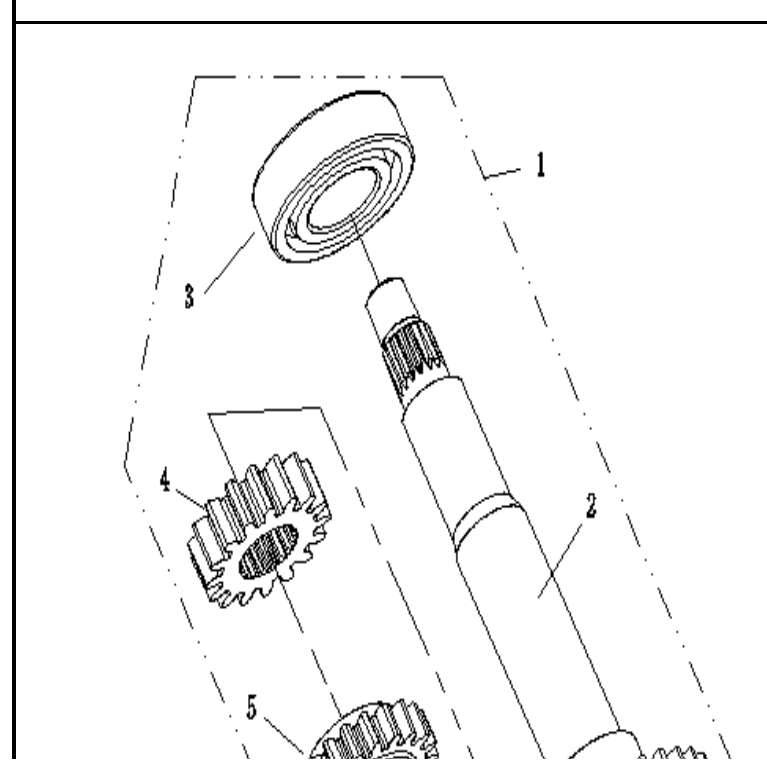
REF.No.	PART No.	Q'TY	PART NAME	PART NAME	REMARK
1	1MQ1761400	2	螺母M14X1	NUT M14X1	
2	1MQ1761300	1	平垫圈14	WASHER PLATE 14	
3	9184308025362300	4	GB/T16674.1六角法兰面螺栓M8X25	FLANGE BOLT M8X25	
4	9153310060285300	2	GB/T5786六角法兰面螺栓M10X1.25x60	FLANGE BOLT M10X1.25X60	
5	1MJ2350000	1	变速箱总成	TRANSMISSION ASSEMBLY	
6	1MQ2355300	1	连接板	CONNECTING PLATE	
7	9153310020285300	3	GB/T5786六角法兰面螺栓M10X1.25X20	FLANGE BOLT M10X1.25X20	
8	1MQ1000000		发动机总成	ENGINE ASSEMBLY	
9					
10					
11					
12					
13					
14					
15					
16					
17					
18					
19					
20					
21					
22					
23					
24					
25					

NO.19 变速箱体组件

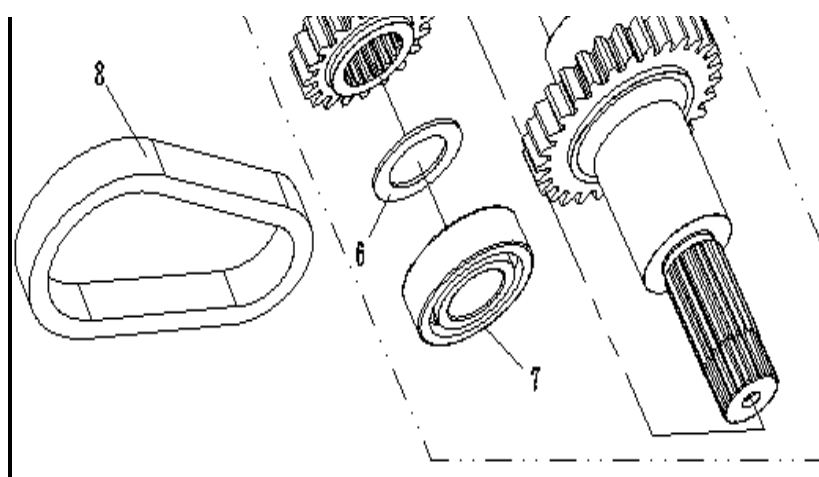


REF. No.	PART No.	Q'TY	PART NAME	PART NAME	REMARK
1	9218460150160000	5	GB/T70.1内六角螺栓M6X15	BOLT SOCKET HEAD M6X15	
2	1MQ2355400	1	换挡小盖	SHIFT SMALL CAP	
3	1MQ2355600	1	通气嘴衬管	VENTILATION MOUTH LINER	
4	1MQ2355100	1	变速箱体	GEARBOX CASE	
5	1ME2355300	4	定位销	DOWEL	
6	1MQ2355200	1	变速箱左盖	GEARBOX LEFT COVER	
7	9184308028362300	16	GB/T16674.1螺栓M8X28	BOLT M8X28	
8	1ME2354600	3	油封25X47X8	OIL SEAL 25X47X8	
9	1MQ2355900	1	限位销	SPACER PIN	
10	1MQ2355500	1	变速箱前盖	GEARBOX FRONT COVER	
11	1MQ2359300	1	放油垫片8.2X16X2	OIL DRAIN SPACER 8.2X16X2	
12	9184308016362300	1	GB/T5787放油螺栓M8X12	BOLT M8X12	
13	1ME1535400	1	O型圈18X2.65	O-RING 18X2.65	
14	1ME2355530	1	变速箱机油尺(黄)	OIL PLUG	
15	1MQ2354400	1	驻车齿座	PARKING GEAR HOLDER	
16	921846015003000	3	GB/T70.1内六角圆柱头螺钉M6X15	GB/T70.1 SCREW M6X15	
17					
18					
19					
20					
21					
22					
23					
24					
25					

NO.20 主轴组件



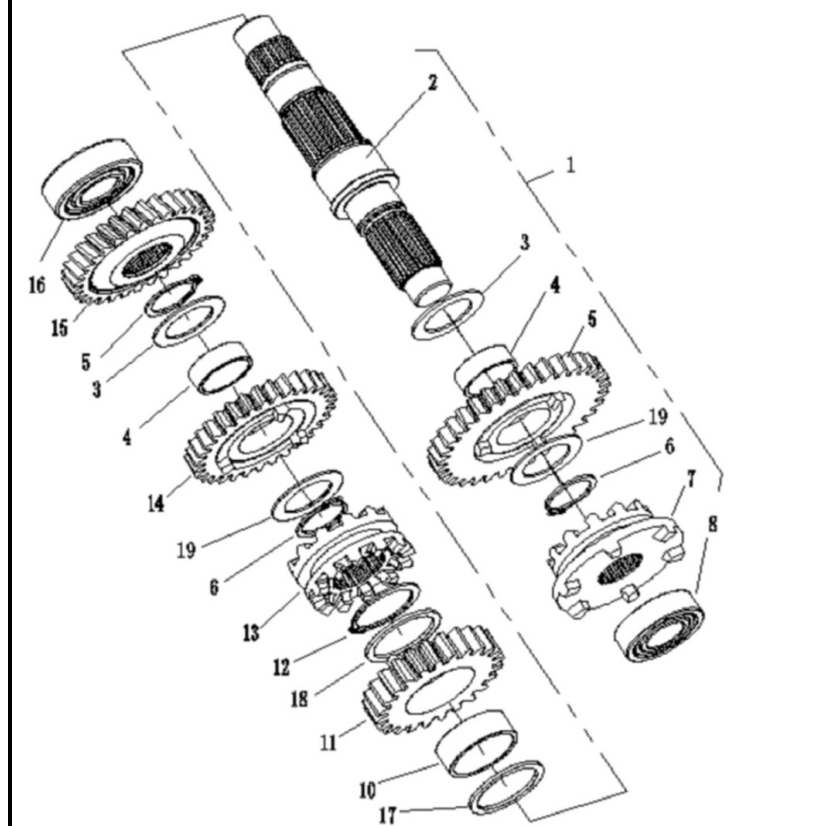
REF. No.	PART No.	Q'TY	PART NAME	PART NAME	REMARK
1	1MQ2352000	1	主轴组件	SPINDLE ASSY.	
2	1MQ2352100	1	主轴	SPINDLE	
3	93306205P6	1	GB/T276轴承6205	BEARING 6205	
4	1MQ2352700	1	主动链轮	DRIVE SPROCKET	
5	1MQ2352500	1	低速主动齿轮16T	LOW SPEED DRIVE GEAR 16T	
6	1MQ2352810	1	垫圈21X30X2	GASKET 21X30X2	
7	93306004P6	1	GB/T276轴承6004	BEARING 6004	
8	1MQ2352600	1	齿形链条	TOOTHED CHAIN	
9					
10					
11					
12					
13					
14					
15					



NO.21 副轴组件

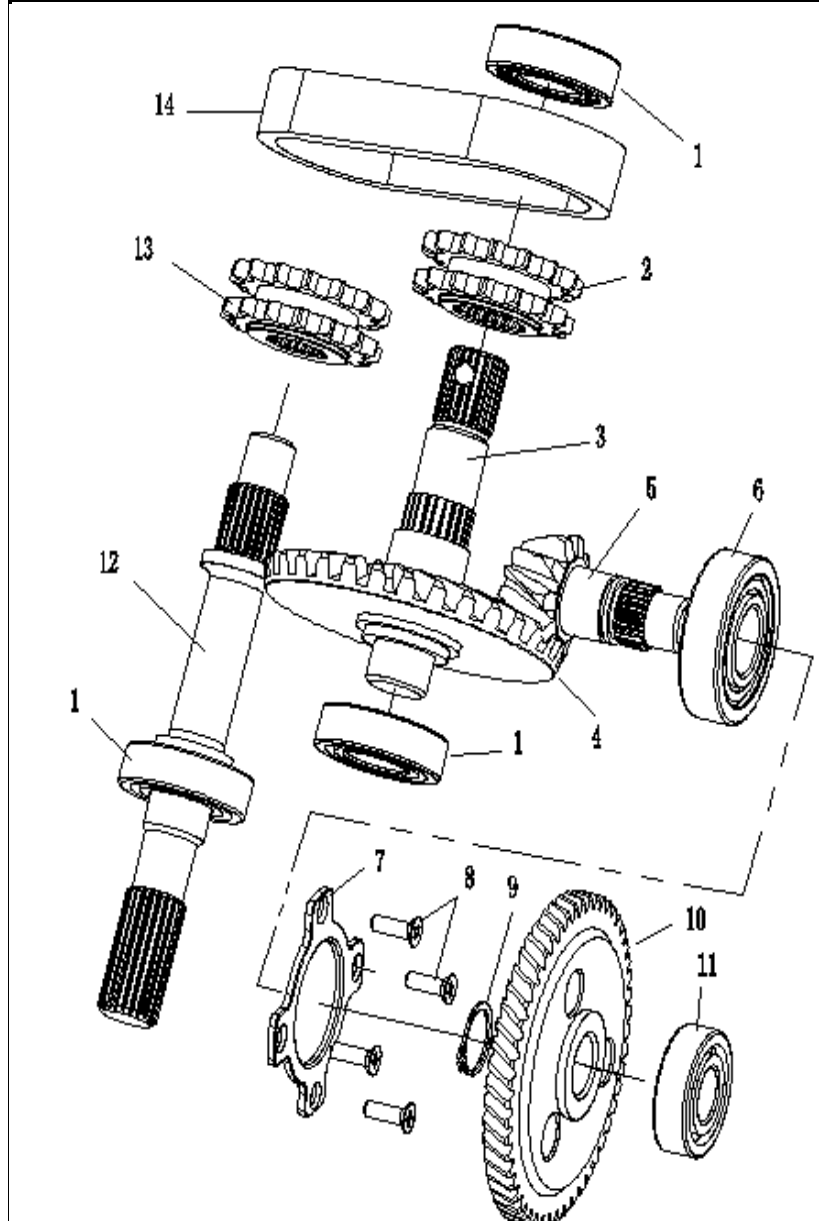
16					
17					
18					
19					
20					
21					
22					
23					
24					
25					

REF. No.	PART No.	Q'TY	PART NAME	PART NAME	REMARK
1	1MQ2353000	1	副轴组件	COUNTERSHAFT ASSY.	
2	1MQ2353100	1	副轴	COUNTERSHAFT	
3	1MQ2353420	2	垫圈25X37X1.2	GASKET25X37X1.2	
4	9971025291000000	2	GB289滚针轴承25X29X10	NEEDLE BEARING 25X29X10	
5	1MQ2354500	1	低速从动齿轮35T	LOW SPEED DRIVEN GEAR 35T	
6	9431211000001100	3	GB/T894.1轴用挡圈25	SHAFT RING 25	
7	1MQ2354800	1	低速驻车换挡盘	LOW SPEED PARKING SHIFT DISC	
8	93306004P6	1	GB/T276轴承6004	BEARING 6004	
10	9971032371300000	1	GB289滚针轴承32X37X13	NEEDLE BEARING 32X37X13	
11	1MQ2354700	1	从动链轮	DRIVEN SPROCKET	
12	9431232000001100	1	GB/T894.1轴用挡圈32	SHAFT RING 32	
13	1MQ2354900	1	倒挡高速换挡盘	REVERSE GEAR SHIFT DISC	
14	1MQ2354300	1	高速从动齿轮31T	HIGH SPEED DRIVEN GEAR 31T	
15	1MJ2353200	1	过渡齿轮31T	TRANSITION GEAR 31T	
16	93306204P6	1	GB/T276轴承6204	BEARING 6204	
17	1MQ2353300	1	垫圈32X40X1.5	GASKET32X40X1.5	
18	1MQ2353900	1	垫圈32X40X2.1	GASKET32X40X2.1	
19	1MQ2353430	2	垫圈25X37X1.4	GASKET25X37X1.4	



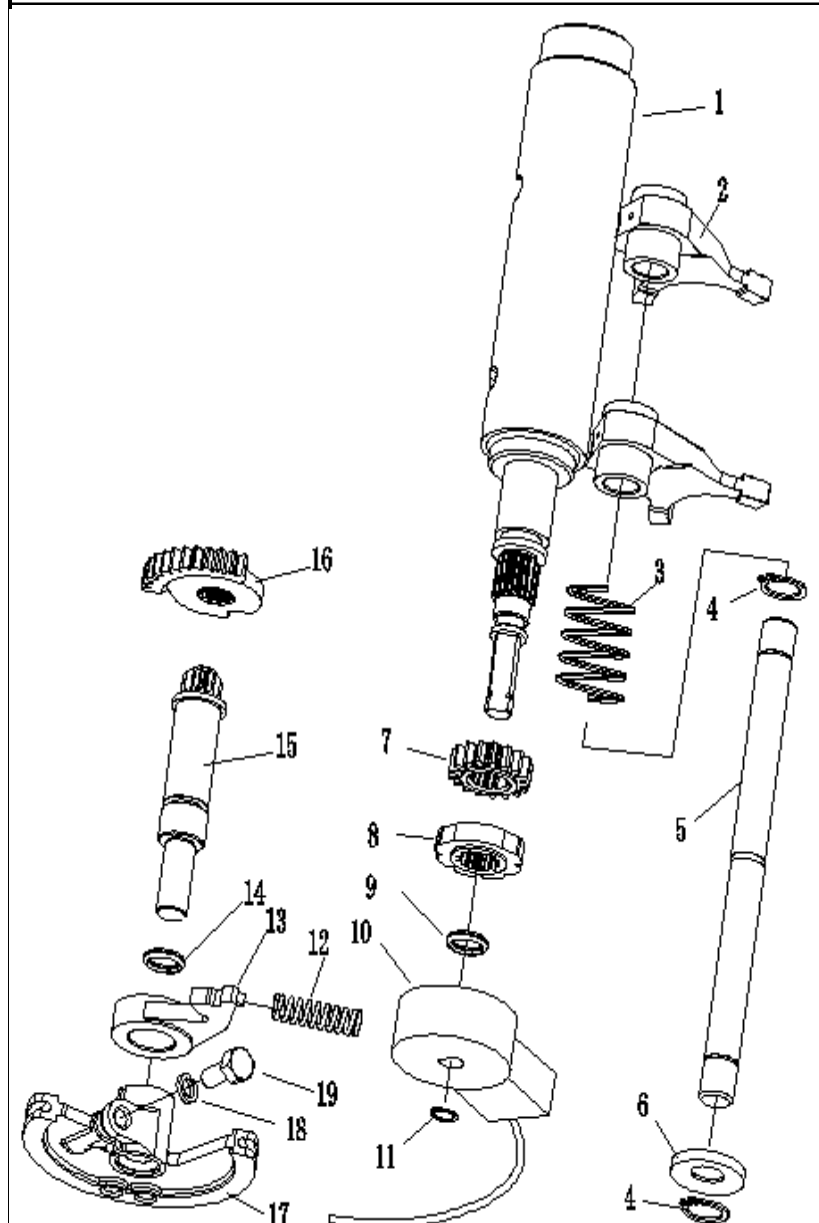
NO.22 输出轴组件

REF. No.	PART No.	Q'TY	PART NAME	PART NAME	REMARK
1	93306205P6	3	GB/T276轴承6205	BEARING 6205	
2	1MQ2356700	1	主动双排链轮	ACTIVE DOUBLE ROW SPROCKET	
3	1MQ2356500	1	后输出轴	REAR OUTPUT SHAFT	
4	1MQ2356600	1	大锥齿	BIG BEVEL GEAR	
5	1MQ2356100	1	小锥齿	SMALL BEVEL GEAR	
6	93306305P6	1	GB/T276轴承6305	BEARING 6305	
7	1MQ2356200	1	轴承压板	COVER BEARING PLATE	
8	9254206012161100	4	GB/T819十字沉头螺钉M6X12	COUNTERSUNK HEAD SCREW M6X12	
9	9431225000001100	1	GB/T894.1轴用挡圈25X2	SHAFT RING 25X2	
10	1MJ2356300	1	过渡齿轮51T	TRANSITION GEAR 51T	
11	93306204P6	1	GB/T276轴承6204	BEARING 6204	
12	1MQ2357100	1	前输出轴	FRONT OUTPUT SHAFT	
13	1MQ2357200	1	从动双排链轮	DRIVEN DOUBLE ROW SPROCKET	
14	1MQ2356800	1	双排链条	DOUBLE ROW CHAIN	
15	1MQ2356000	1	输出轴组件	OUTPUT SHAFT ASSY.	



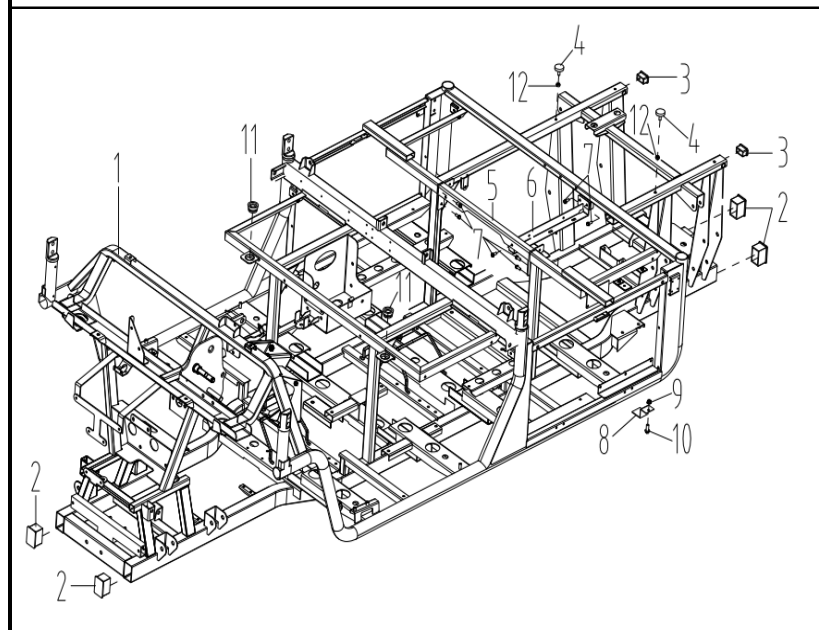
NO.23 换挡机构组件

REF. No.	PART No.	Q'TY	PART NAME	PART NAME	REMARK
1	1MQ2358100	1	换挡鼓	SHIFT DRUM	
2	1MQ2358800	2	拨叉	FORK	
3	1MQ2359200	1	低速拨叉弹簧	LOW SEEP SHIFT FORK SPRING	
4	9431112000000000	2	弹性挡圈12	SHAFT RING 12	
5	1MQ2358900	1	拨叉轴	SHIFTING FORK SHAFT	
6	1MQ2359400	1	换挡弹簧罩	SHIFT SPRING COVER	
7	1MQ2358300	1	换挡从动齿轮	SHIFT DRIVEN GEAR	
8	1MQ2358400	1	换挡凸轮	SHIFT CAM	
9	1MQ1214800	1	O形圈9*1.8	O-RING 9X1.8	
10	2MU8062000	1	档显	FILE DISPLAY	
11	9431232000001100	1	GB/T894.1轴用挡圈9	SHAFT RING 9	
12	1MQ2358700	1	换挡限位弹簧	SHIFT LIMIT SPRING	
13	1MQ2358500	1	换挡止动摆杆	SHIFT STOP SWING LEVER	
14	1MQ2358000	1	O形圈13*1.8	O-RING 13X1.8	
15	1MQ2358600	1	换挡轴	SHIFT SHAFT	
16	1MQ2358200	1	换挡主动齿轮	SHIFT GEAR	
17	1ME2359600	1	换挡拉线盘	SHIFT CABLE TRAY	
18	9403306000002300	1	GB/T93弹性垫圈6	ELASTIC WASHER	
19	915130601562300	1	螺栓M6X15	BOLT M6X15	



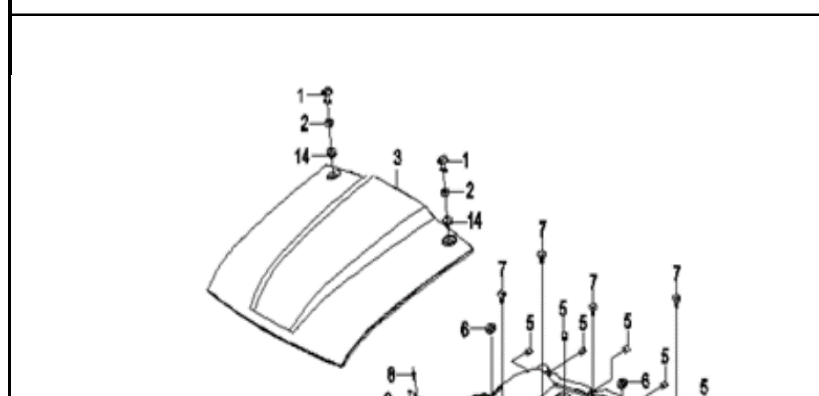
NO.24 车架组件

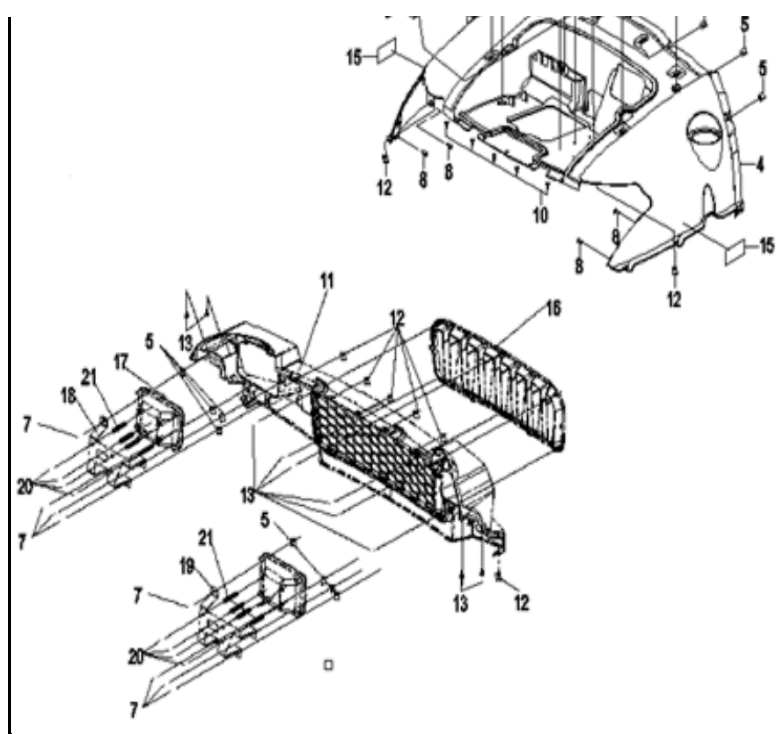
REF. No.	PART No.	Q'TY	PART NAME	PART NAME	REMARK
1	2MG5100000	1	车架焊接组件(加长货箱)	Frame	
2	1MU6033010	4	车架方堵头	Plug	
3	1MU7087500	2	40x25矩形堵头	Plug 40x25	
4	1MU590100001	2	货箱支撑缓冲橡胶	Rubber Stopper	
5	2MD5156000	1	后座垫前安装支架	Mounting Bracket In Front Of Backseat Cushion	
6	2MG5023000	1	空滤器支架(加长货箱)	Air Filter Support	
7	9186306016166300	7	GB/T 5789 M6x16 六角法兰面螺栓(大)	Bolt M6x16 (GB/T 5789)	
8	2MU563150003	1	制动器管保护板	Brake Pipe Protection Plate	
9	9330308013241300	1	GB/T 6187.1 M8 六角法兰面自锁螺母	Nut M8 (GB/T 6187.1)	
10	9186308020266300	1	GB/T 5789 M8x20 六角法兰面螺栓	Bolt M8x20 (GB/T 5789)	
11	1MU5130200	2	座垫缓冲橡胶	Rubber Set,Seat	
12	9340308013261300	2	GB/T 6170 M8 六角螺母		



NO.25 前面罩组件

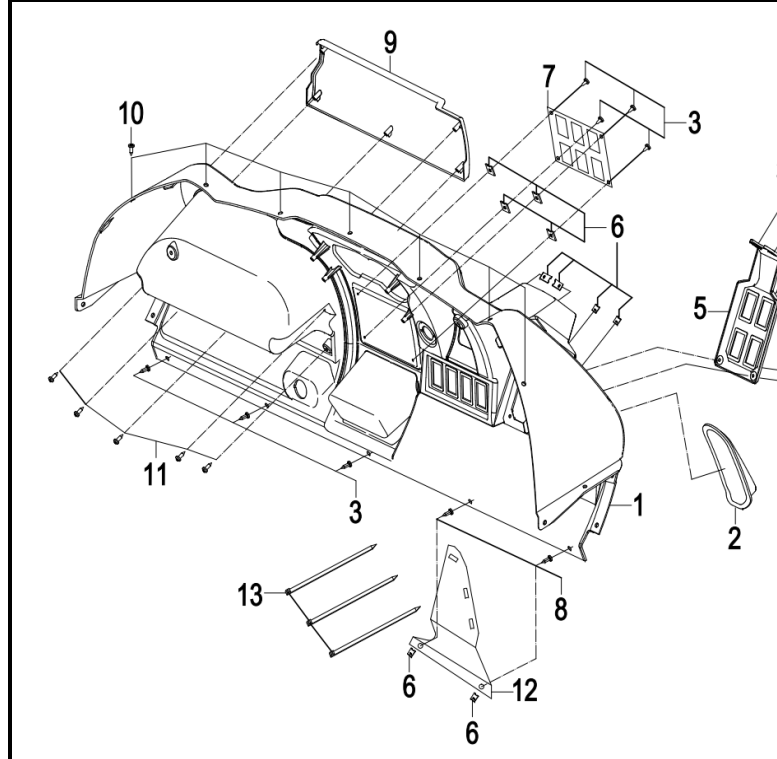
REF. No.	PART No.	Q'TY	PART NAME	PART NAME	REMARK
1	1MU6011410	1	扳机(增高)	Fixed Hood Latch Hook	
2	1MU6011500	2	扳机减震圈	Ring	
3	1MU60112041	1	前面罩盖板(蒙皮红)	Removable Hood Cover(Red)	
	1MU60112072	1	前面罩盖板(宝石蓝)	Removable Hood Cover(Blue)	
	1MU60112025	1	前面罩盖板(珍珠白)	Removable Hood Cover(Pearl White)	
	1MU60112081	1	前面罩盖板(迷彩)	Removable Hood Cover(Camo)	
	1MU60112014	1	前面罩(碳纤维)	Removable Hood Cover(Carbon Fibre)	





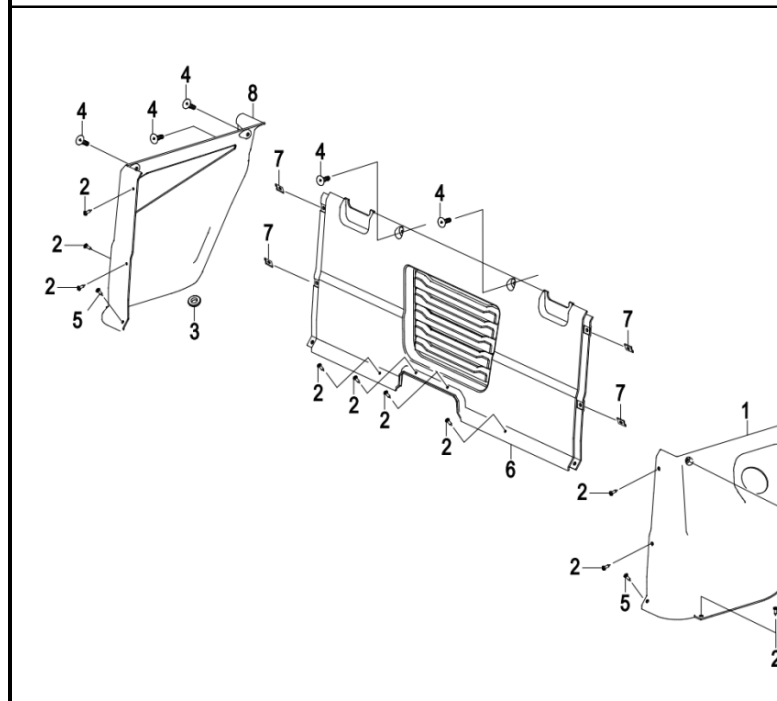
REF. No.	PART No.	Q'TY	PART NAME	PART NAME	REMARK
	1MUJ0112055	1	前面罩(橙色)	Removable Hood Cover(Orange)	
	1MUJ0112083	1	前面罩(迷彩2)	Removable Hood Cover(Camo2)	
	1MUJ0111041	1	前面罩(蒙边红)	Removable Hood(Red)	
	1MUJ0111072	1	前面罩(宝石蓝)	Removable Hood(Blue)	
	1MUJ0111025	1	前面罩(珍珠白)	Removable Hood(Pearl White)	
	1MUJ0111081	1	前面罩(迷彩)	Removable Hood(Camo)	
	1MUJ0111014	1	前面罩(碳纤维)	Removable Hood(Carbon Fibre)	
	1MUJ0111055	1	前面罩(橙色)	Removable Hood(Orange)	
	1MUJ0111083	1	前面罩(迷彩2)	Removable Hood(Camo2)	
5	9312306000105300	9	QC/T 608 M6 B型板簧螺母	Spring Nut M6 (QC/T 608)	
6	1MUJ011300	2	前面罩缓冲橡胶圈	Fixed Hood Ring	
7	9275360160111300	14	GB/T 973 M6×16 十字槽大扁头螺钉	Screw M6×16 (GB/T 973)	
8	9271342160002300	6	GB/T 845 ST4.2×16 十字槽盘头自攻螺钉	Screw ST4.2×16 (GB/T 845)	
9	1MU514040122	2	倾阀支架板	Dump valve Frame	
10	9271348160006300	6	GB/T 845 ST4.8×16 十字槽盘头自攻螺钉	Screw ST4.8×16 (GB/T 845)	
11	2MUJ019100	1	前面板	Grill, Front	
12	9397342000002300	9	Q397A ST4.2 自攻簧片螺母	Spring Nut ST4.2 (Q397A)	
13	9271342130006300	16	GB/T 845 ST4.2×13 十字槽盘头自攻螺钉	Screw ST4.2×13 (GB/T 845)	
14	1MU5660400	2	换挡器护套	Shift Rod Rubber Sleeve	
15	1MU6140810	2	反光膜(琥珀色)	Reflecting Film(Amber)	
16	2MUJ019300	1	前面板装饰格栅	Grille	
17	2MUJ020500	2	方形LED前照灯	LED Lights	
18	2MUJ017200	1	前大灯左安装板	Mounting Plate (L)	
19	2MUJ017100	1	前大灯右安装板	Mounting Plate (R)	
20	9214340250001300	8	GB/T 818 M4×25 十字槽盘头螺钉	Screw M4×25	
21	2MUJ017300	8	前大灯调节弹簧	Spring	

NO.26 仪表板组件



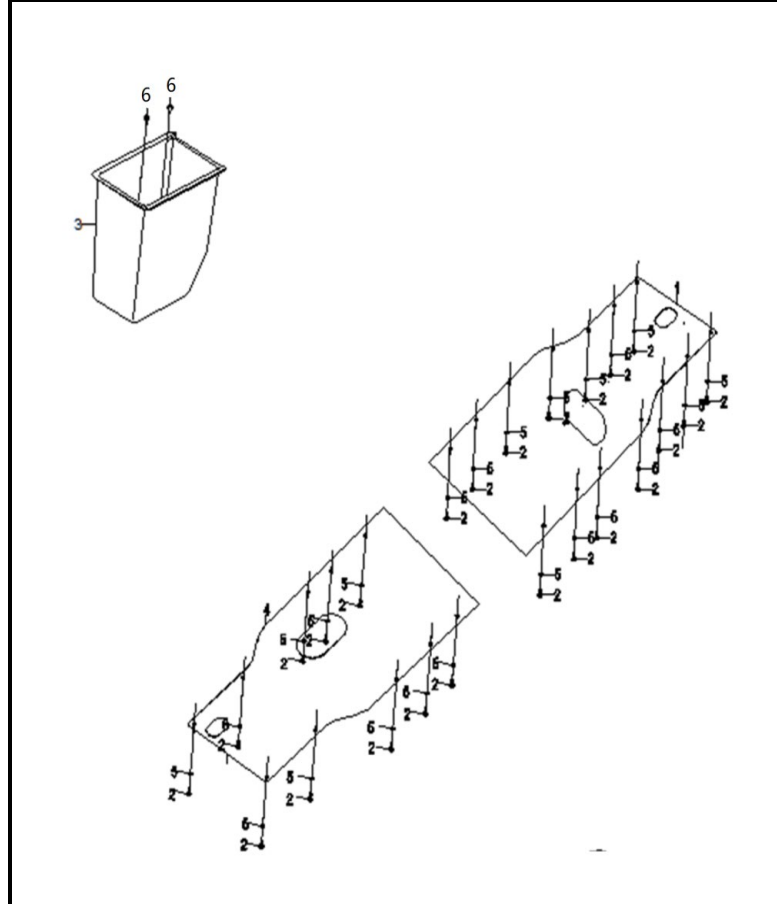
REF. No.	PART No.	Q'TY	PART NAME	PART NAME	REMARK
1	1MUJ014120	1	仪表台	Panel, Instrument	
2	1MU5650100	1	驻车手柄挡泥罩	Cover, Shift Lever	
3	9271348160006300	11	十字槽盘头自攻螺钉	Screw ST4.8×16 (GB/T 845)	
4	1MUJ014500	4	开关孔板	Switch Cover	
5	1MUJ014210	1	方向盘下盖板	Steering Wheel Under Cover	
6	9397342000002300	10	Q397A ST4.2 自攻簧片螺母	Spring Nut ST4.2 (Q397A)	
7	1MUJ014600	1	仪表台开关安装板	Switch Plate	
8	9271348190006300	2	GB/T 845 ST4.8×19 十字槽盘头自攻螺钉	Screw ST4.8×19 (GB/T 845)	
9	1MUJ014400	1	仪表台挡板	Cover, Glovebox	
10	9275360160111300	7	GB/T 973 M6×16 十字槽大扁头螺钉	Screw M6×16 (GB/T 973)	
11	9271342130006300	5	GB/T 845 ST4.2×13 十字槽盘头自攻螺钉	Screw ST4.2×13 (GB/T 845)	
12	1MUJ032100	1	驻车手柄挡片	The Water Retaining Plate	
13	9928042000000000	3	扎带(L=4×200)	Tie L=4×200	

NO.27 侧围盖板



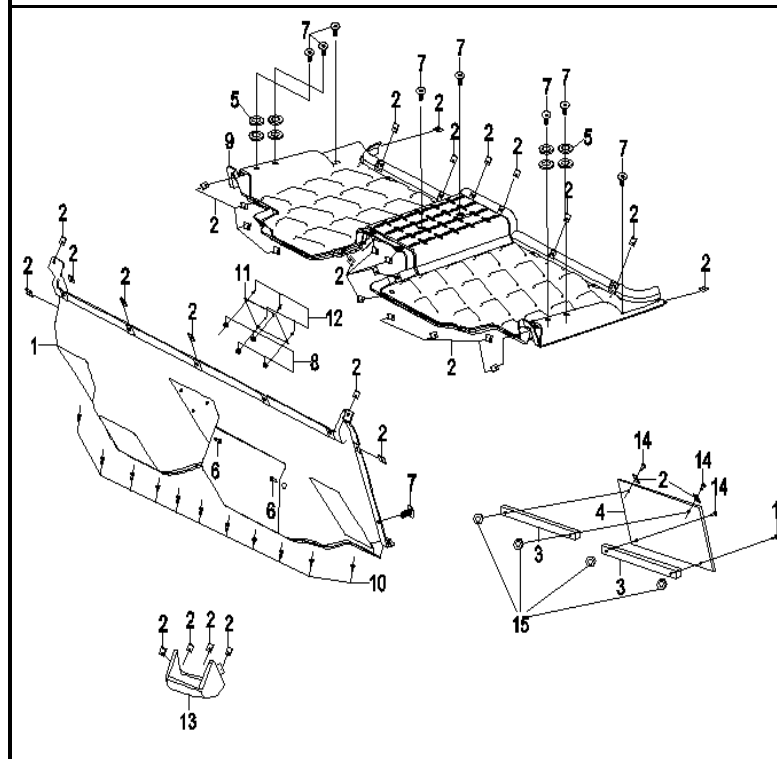
REF. No.	PART No.	Q'TY	PART NAME	PART NAME	REMARK
1	1MUJ024100	1	座桶左围板	Left Mudguards	
2	9271348160006300	6	十字槽盘头自攻螺钉	Screw ST4.8×16 (GB/T 845)	
3	1MUJ011300	2	前面罩缓冲橡胶圈	Fixed Hood Ring	
4	9275360160111300	8	GB/T 973 M6×16 大扁头内六角螺钉	Screw M6×16 (GB/T 973)	
5	9271348190006300	2	GB/T 845 ST4.8×19 十字槽盘头自攻螺钉	Screw ST4.8×19 (GB/T 845)	
6	1MUJ023100	1	座桶围板2	Rear Floor	
7	9397342000002300	4	Q397A ST4.2 自攻簧片螺母	Spring Nut ST4.2 (Q397A)	
8	1MUJ025100	1	座桶右围板	Right Mudguards	

NO.28 底盘护板



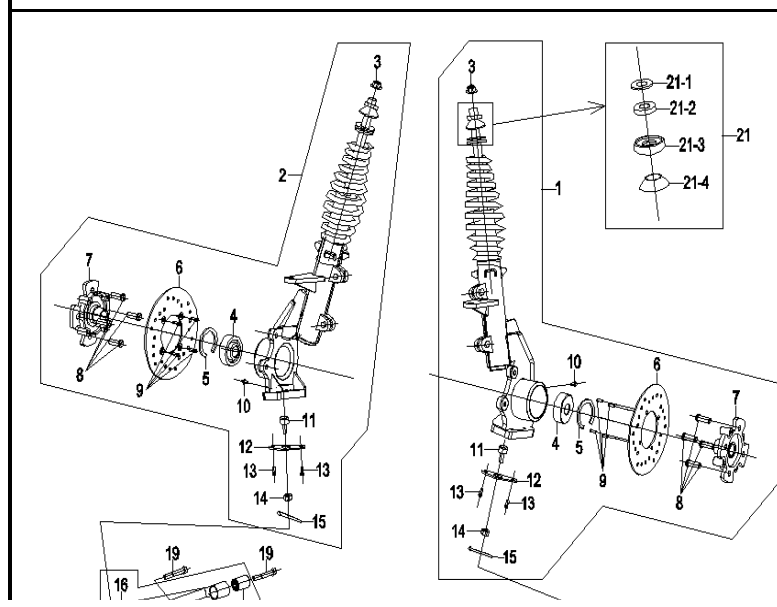
REF. No.	PART No.	Q'TY	PART NAME	PART NAME	REMARK
1	2MD6026100	1	底盘护板(前段)	Chassis Shield (front)	
2	9275360160111300	24	GB/T 973 M6×16 内六角大扁头螺钉	Screw M6×16 (GB/T 973)	
3	2MD6022000	1	置物箱	Large Storage	
4	2MD6026200	1	底盘护板(后段)	Chassis Shield (back)	
5	9402308000031300	24	GB/T 96.1 8 大垫圈	Washer 8 (GB/T 96.1)	
6	9275360160111300	2	GB/T 973 M6×16 十字槽大扁头螺钉	Screw M6×16 (GB/T 973)	

NO.29 脚踏板

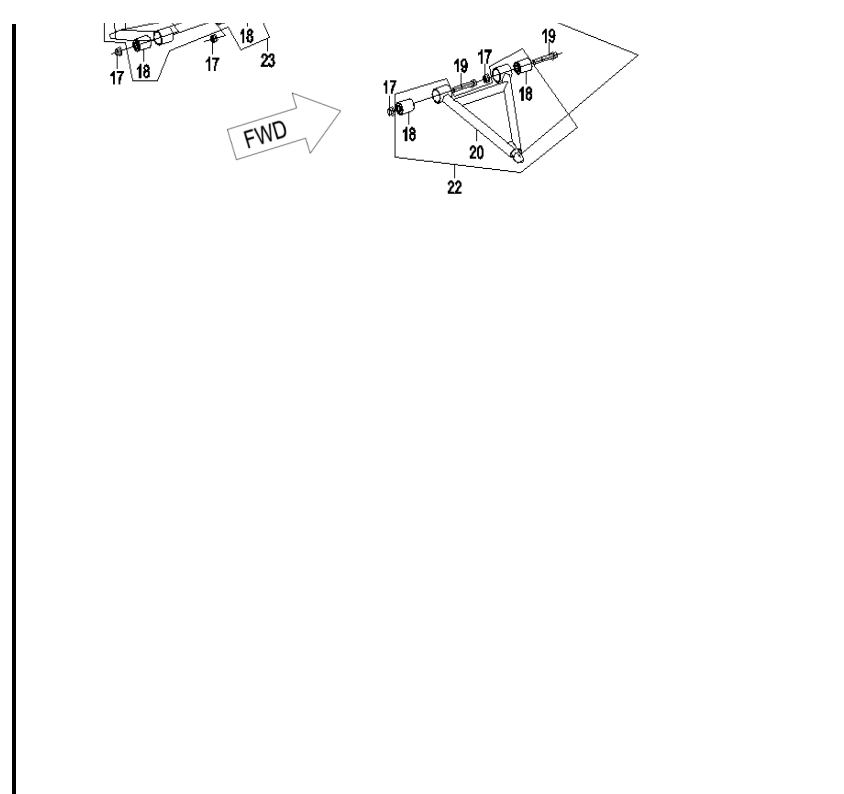


REF. No.	PART No.	Q'TY	PART NAME	PART NAME	REMARK
1	2MD6016100	1	地板前围	Upper Floor	(自制)
2	9397342000002300	32	Q397A ST4.2 自攻簧片螺母	Spring Nut ST4.2 (Q397A)	
3	1MUJ016300	2	挡水胶皮压紧边条	Retaining Rubber Clip	
4	2MD6016210	1	脚踏挡水胶皮	Retaining rubber	(自制)
5	9402310000031300	8	GB/T 96.1 10 大垫圈	Washer 10(GB/T 96.1)	
6	9271348190006300	2	GB/T 845 ST4.8×16 十字槽盘头自攻螺钉	Screw ST4.8×16 (GB/T 845)	
7	9275360160111300	10	GB/T 973 M6×16 十字槽大扁头螺钉	Screw M6×16 (GB/T 973)	
8	9402305000031300	4	GB/T 96.1 5 大垫圈	Washer 5(GB/T 96.1)	
9	1MUJ015100	1	地板	Lower Floor	
10	9271348160006300	11	GB/T 845 ST4.8×16 十字槽盘头自攻螺钉	Screw ST4.8×16 (GB/T 845)	
11	1MUJ010100	1	警告贴花1 (英文)	Warning Decal 1 (Aluminum Plate)	
12	9441004010000000	4	GB/T 12617 4×10 抽芯铆钉	Rivet 4×10	
13	2MD6016400	1	脚踏前围扣板	Buckle	
14	9218250200100000	4	GB/T 70.1 M5×20 内六角螺钉	BOLT M5×20(GB/T 70.1)	
15	9350305080011300	4	GB/T 6172 M5 六角螺母	NUT M5(GB/T 6172)	

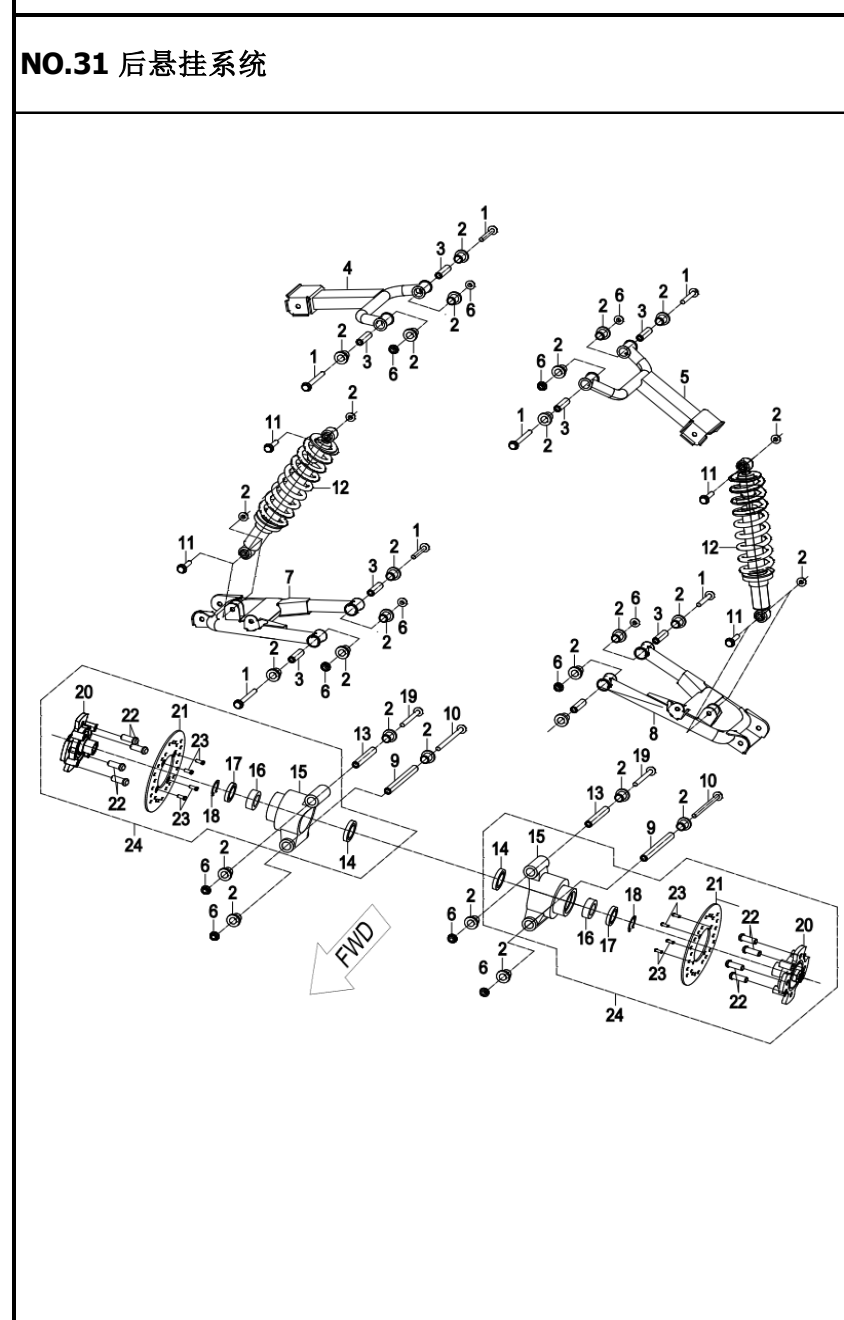
NO.30 前悬挂系统



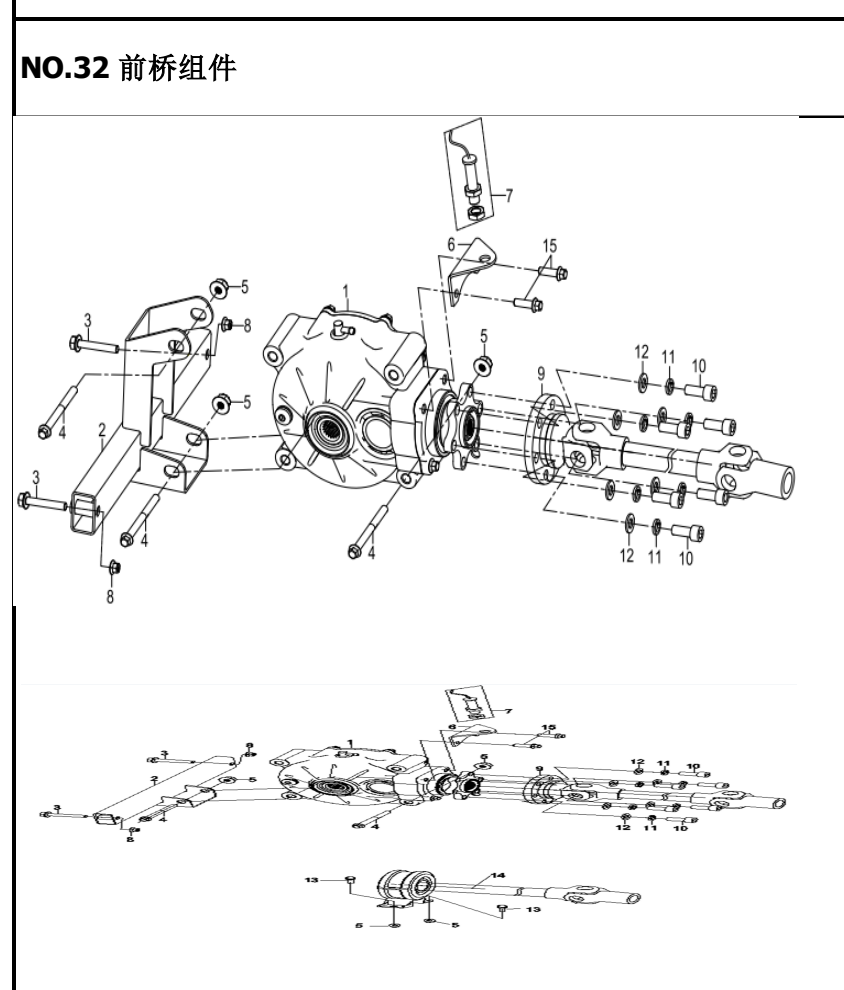
REF. No.	PART No.	Q'TY	PART NAME	PART NAME	REMARK
1	2MUJ5425010	1	前减震右支撑组合	Front Shock Strut Body Assy, R	
2	2MUJ5423010	1	前减震左支撑组合	Front Shock Strut Body Assy, L	
3	9330314021361300	2	GB/T 6187.2 M14×1.5 六角法兰面自锁螺母	Nut M14×1.5 (GB/T 6187.2)	
4	1MUJ5427000	2	轮毂轴承35	Bearing35	
5	9430164000000000	2	GB/T 893.1 64 孔用弹性挡圈	Circlip 64(GB/T 893.1)	
6	1MUJ545300	2	前碟刹盘	BrakeDisc, F	
7	1MUJ545100	2	前轮毂	Hub, FR Wheel	
8	1MUJ555200	8	压装螺栓	Bolt	
9	9151308020281300	8	GB/T 5783 M8×20 六角头螺栓	Bolt M8×20 (GB/T 5783)	
10	1MUJ5426000	2	GB 1152 M6 油杯	Grease Fitting M6	No sale
11	1MUJ5424000	2	前减震器支撑轴节	Ball Joint Stud	
12	1MUJ5423200	2	联轴节安装板	Coupling Mounting Plate	



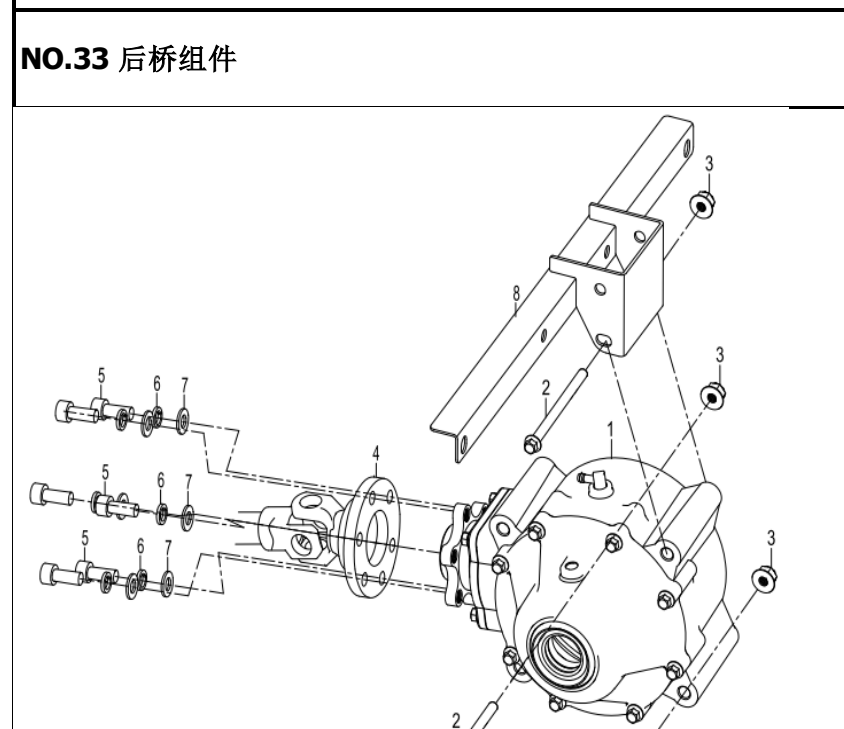
13	9254360160101300	4	GB/T 819.1 M6×16 十字槽沉头螺钉	Bolt M6×16 (GB/T 819.1)	
14	9383310016261300	2	GB/T 9458 M10×1.25 六角开槽螺母	Slotted Nut M10×1.25 (GB/T 9459)	
15	9500325025002300	2	GB/T 91 2.5×25 开口销	Cotter Pin 2.5×25	
16	2MU5411010	1	左A臂焊接组件	A-Arm,L	
17	9330312018261300	4	GB/T 6187.2 M12×1.25 六角法兰面自锁螺母	Nut M12×1.25 (GB/T 6187.2)	
18	1MU5412000	4	A臂缓冲套	Bushing	
19	1MU5410100	4	A臂轴	A-Arm Pivot Shaft	
20	2MU5431010	1	右A臂焊接组件	A-Arm ,R	
21	1MUX542020	1	上球碗配件	Upper Pivot Ball ASSY	
21-1	9401314000031300	2	平垫圈	WASHER 14 (GB/T 97.1)	
21-2	1MU5420900	2	缓冲垫	SPACER RUBBER	
21-3	1MU5420200	2	球碗A	UPPER PIVOT BALL	
21-4	1MU5420300	2	球碗B	LOWER PIVOT BALL	
22	1MUX543100	1	右A臂含隔套和橡胶	A-Arm (Bushing) ,R	
23	1MUX541100	1	左A臂含隔套和橡胶	A-Arm (Bushing) ,L	



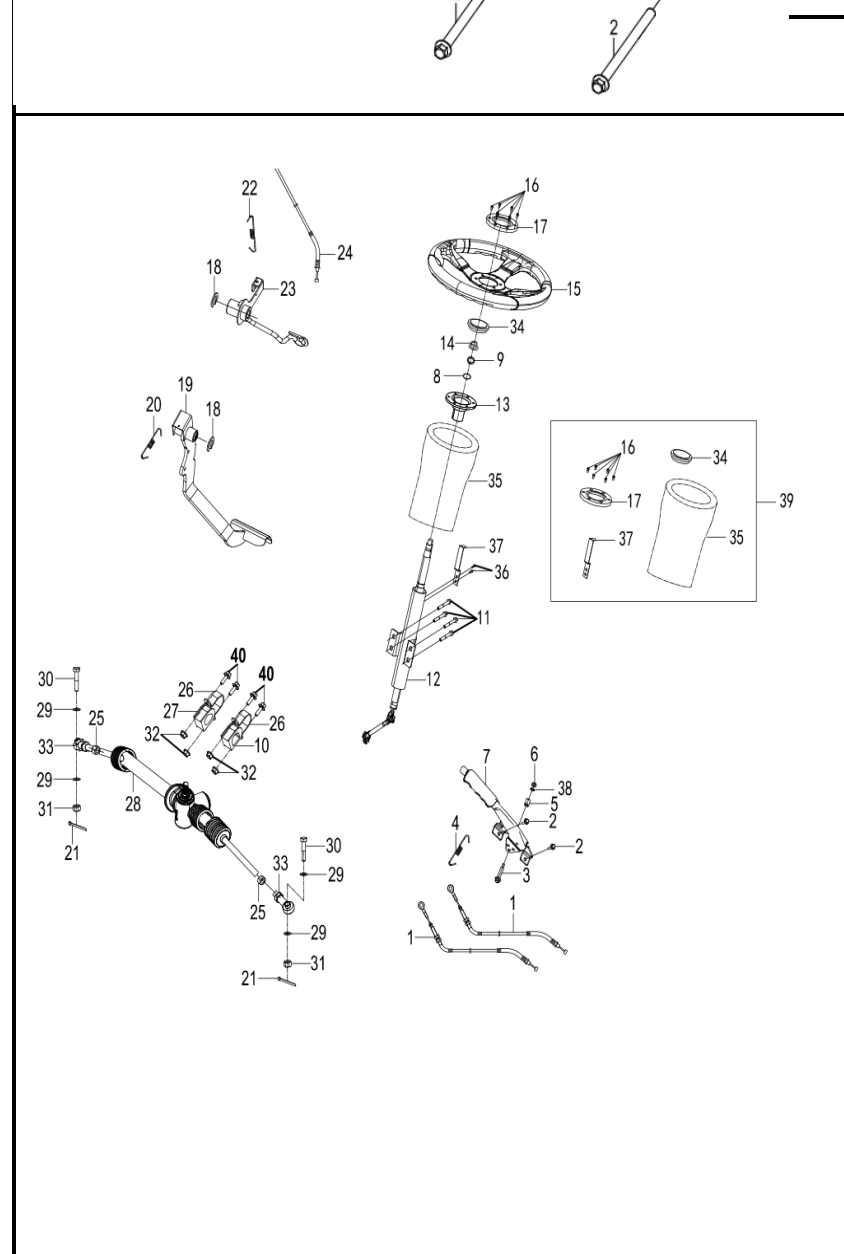
REF. No.	PART No.	Q'TY	PART NAME	PART NAME	REMARK
1	1MU5510200	8	后下A臂安装轴	Bolt M10×1.25×80	
2	1MU5510300	24	后左上A臂橡胶(短)	Bush 1, Arm	
3	1MU5510500	8	后左下A臂隔套	Collar Rear , L Lower	
4	2MU5531000	1	后右上A臂焊接组件	Arm Set,Rear ,R Upper	
5	2MU5511000	1	后左上A臂焊接组件	Arm Set,Rear ,L Upper	
6	9330310015261300	16	GB/T 6187.2 M10×1.25 六角法兰面自锁螺母	Nut M10×1.25 (GB/T 6187.2)	
7	1MU5533010	1	后右下A臂焊接组件	Arm Set,Rear ,R Lower	
8	1MU5513010	1	后左下A臂焊接组件	Arm Set,Rear ,L Lower	
9	1MU5514600	2	后HUB上隔套	Collar Upper	
10	1MU5514300	2	后关节下安装螺栓	Bolt M10×1.25×135	
11	1MU5520100	4	后减震上安装螺栓	Bolt M10×1.25×50	
12	3ED5522000	2	后减震器组件 (电动双排—白)	Shock ASSY , Rear	
13	1MU5514500	2	后HUB下隔套	Collar Lower	
14	1MU5515000	2	油封 61.5 43 12	Seal 61.5 43 12	
15	1MU5514100	2	后关节	Knuckle	
16	1MU5517000	2	轮毂轴承34	Bearing34	
17	1MU5516000	2	油封 58 41.2 12	Seal 58 41.2 12	
18	9430158000000000	2	GB/T 893.1 58 孔用弹性挡圈	Circlip 58(GB/T 893.1)	
19	1MU5514200	2	后关节上安装螺栓	Bolt M10×1.25×110	
20	1MU5555100	2	后轮毂	Hub, FR Wheel	
21	1MU5555400	2	后碟刹盘	Brake Disc, R	
22	1MU5555200	8	压装螺栓	Bolt	
23	9151308020281300	8	GB/T 5783 M8×20 六角头螺栓	Bolt M8×20 (GB/T 5783)	
24	1MUX551400	2	后关节装配总成	Rear Hub ASSY	



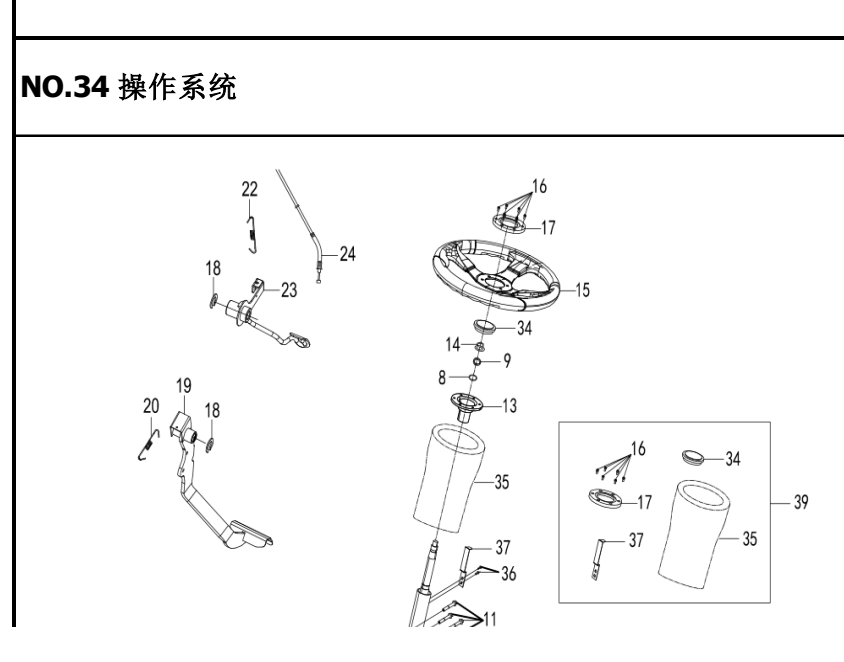
REF. No.	PART No.	Q'TY	PART NAME	PART NAME	REMARK
1	2MU5750000	1	前桥组件	Front Axle	
2	2MU5770030	1	前桥安装板组合 (SSR)	Mounting Plate	
3	9186308080261300	2	GB/T 5789 M8×80 六角法兰面螺栓	Bolt M8×80	
4	2MU5701000	3	前桥安装螺栓	Bolt M10×1.25×85	
5	9330310015261300	5	GB/T 6187.2 M10×1.25 六角法兰面自锁螺母	Nut M10×1.25	
6	2MU5780000	1	车速传感器支架	Support For Vehicle Speed Sensor	
7	2MU8093000	1	速度传感器 (自带转接)	Speed Sensor	
8	9330308013241300	2	GB/T 6187.1 M8 六角法兰面自锁螺母	Nut M8 (GB/T 6187.1)	
9	2MD5761000	1	前传动轴前段	Front Drive Shaft (front)	
10	9215310025261300	6	10×1.25×25 盘头内六角螺栓	Bolt M10×1.25×25	
11	9403110000000000	6	GB/T 93 10 弹性垫圈	Spring Washer φ10	
12	9401310000031300	6	GB/T 97.1 10 平垫圈	Flat Washer φ10	
13	9186310030281300	2	M10X30螺栓	Bolt M10X30	
14	2MD5762000	1	前传动轴后段	Rear Drive Shaft Rear Section	
15	9151308025281300	2	GB/T 5789 M8×25 六角法兰面螺栓	Bolt M8×25	



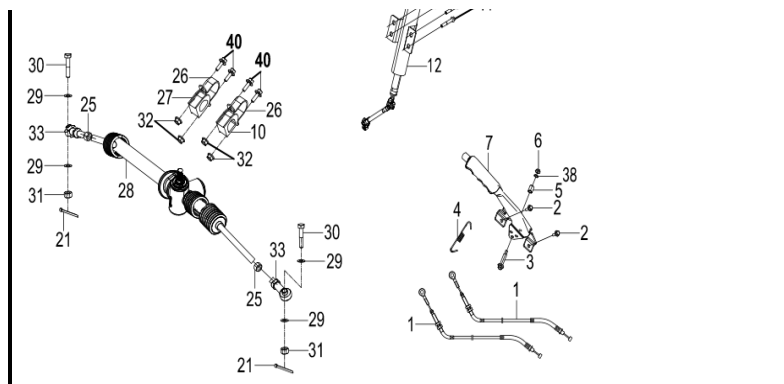
REF. No.	PART No.	Q'TY	PART NAME	PART NAME	REMARK
1	2MD5790000	1	后桥组件	Rear Axle	
2	1MU551420001	3	后关节上安装螺栓	Bolt M10×1.25×110	
3	9330310015261300	3	GB/T 6187.2 M10×1.25 六角法兰面自锁螺母	Nut M10×1.25	
4	2MU5730000	1	后传动轴	Rear Drive Shaft	
5	9215310025261300	6	10×1.25×25 盘头内六角螺栓	Bolt M10×1.25×25	
6	9403110000000000	6	GB/T 93 10 弹性垫圈	Spring Washer φ10	
7	9401310000031300	6	GB/T 97.1 10 平垫圈	Flat Washer φ10	
8	2MU5502010	1	后桥安装板组合 (SSR)	Mounting Plate	



1	2MU5652000	2	驻车拉索组件	Parking cable	
2	9186308016266300	2	GB/T 5789 M8×16 六角法兰面螺栓 (大)	Bolt M8×16 (GB/T 5789)	
3	1MU5650300	1	驻车拉索销轴	Parking Handle Axis	
4	1MU5650200	1	驻车开关拉簧	Spring, Parking Handle	
5	1MU5650400	1	驻车拉索隔套	Bushing	
6	9330306010141300	1	GB/T 6187.1 M6 六角法兰面自锁螺母	Nut M6 (GB/T 6187.1)	
7	1MU5651000	1	驻车手柄机构总成	Parking Handle ASSY	
8	9401312000031300	1	GB/T 97.1 12 平垫圈	Washer 12 (GB/T 97.1)	
9	9403112000000000	1	GB/T 93 12 弹性垫圈	Spring Washer 12 (GB/T 93)	
10	1MU5610910	1	方向机缓冲橡胶B	Bush B	
11	9186310020281300	4	GB/T 5789 M10×1.25×20 六角法兰面螺栓 (大)	Bolt M10×1.25×20 (GB/T 5789)	
12	2MU5613000	1	转向传动装置	Column,Steering	
13	2MU5610100	1	方向盘固定座	Holder,Steering Wheel	
14	9350312018261300	1	GB/T 6173 M12×1.25 六角薄螺母	Nut M12×1.25 (GB/T 6173)	
15	1MU5611000	1	方向盘组件	Wheel,Steering	
16	9218250200100000	6	GB/T 70.1 M5×20 内六角圆柱头螺钉	Screw M5×20 (GB/T 70.1)	
17	2MU5610200	1	方向盘装饰铝盖	Cover,Steering Wheel	
18	9431116000000000	2	GB/T 894.1 16 轴用弹性挡圈	Circlip 16	
19	1MU5616030	1	刹车踏板 (小踏板)	Padel,Brake	
20	1MU5610400	1	刹车踏板回位弹簧	Spring A,Brake Padel	
21	9500325025002300	2	GB/T 91 2.5×25 开口销	COTTER PIN 2.5×25	
22	1MU5610300	1	油门踏板回位弹簧	Spring,Throttle	
23	1MU5614000	1	油门踏板	Padel,Throttle	

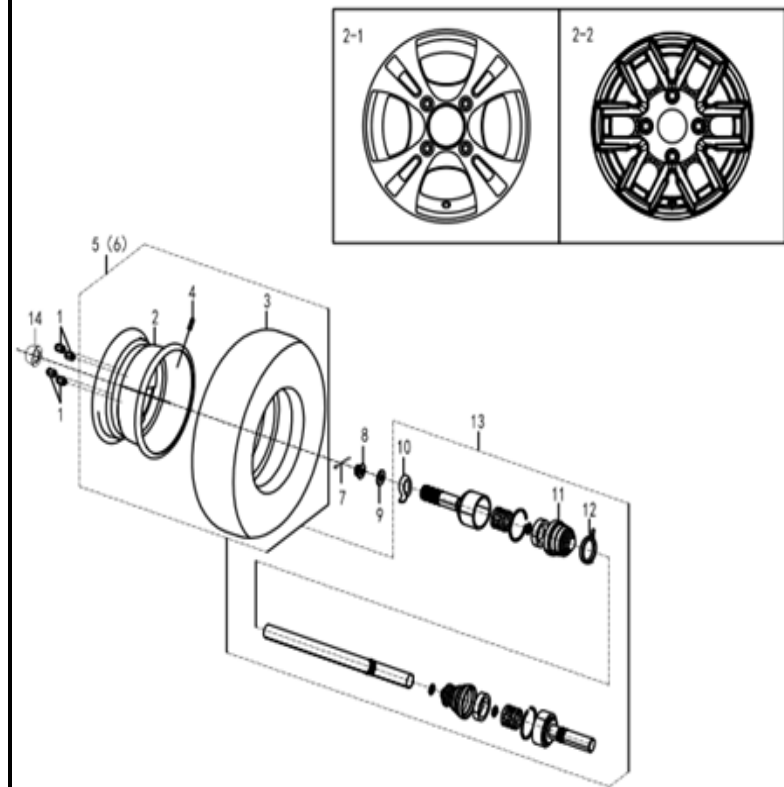


24	2MU5615010	1	油门拉索组件	Cable,Throttle	
25	9350312018261300	2	GB/T 6171 M12×1.25 六角薄螺母	Nut M12×1.25 (GB/T 6187.2)	
26	1MU5610700	2	方向机缓冲橡胶卡箍	Cover, Steering	
27	1MU5610810	1	方向机缓冲橡胶A	Bush A	
28	2MU5612010	1	方向机组件	Steering ASSY	
29	9401310000031300	4	GB/T 97.1 10 平垫圈	Washer 10 (GB/T 97.1)	
30	9173310055281300	2	GB 31.3 M10×1.25×55 六角开槽螺母	Bolt M10×1.25×55	
31	9383310016261300	2	GB/T 9458 M10×1.25 六角开槽螺母	Slotted Nut M10×1.25 (GB/T 9459)	
32	9330310015261300	4	GB/T 6187.2 M10×1.25 六角法兰面自锁螺母	Nut M10×1.25 (GB/T 6187.2)	
33	1MU5617000	2	方向机球头节	Tie Rod End B	



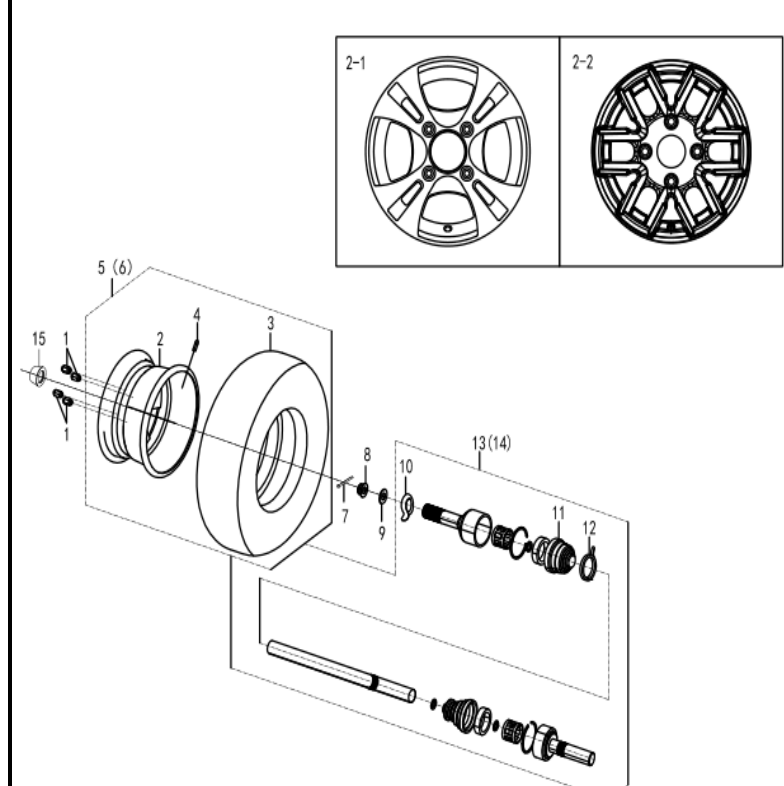
34	2MU5610600	1	方向盘喇叭开关	Horn Switch	
35	2MU5183000	1	方向盘塑料轴套	Steering Wheel Plastic Sleeve	
36	9214340060002300	2	GB/T818 M4x6 十字槽盘头螺钉	Screw M4x6 (GB/T 818)	
37	2MU5619000	1	开关支架组件	Switch Bracket Assembly	
38	9402306000031300	1	GB/T 96.1 6 大垫圈	Washer 6	
39	2MU8061000	1	喇叭开关组合件	Horn Switch Assembly	
40	9186310025281300	4	GB/T 5789 M10x1.25x25 六角法兰面螺栓(大)	Bolt M10x1.25x25 (GB/T 5789)	

NO.35 前轮



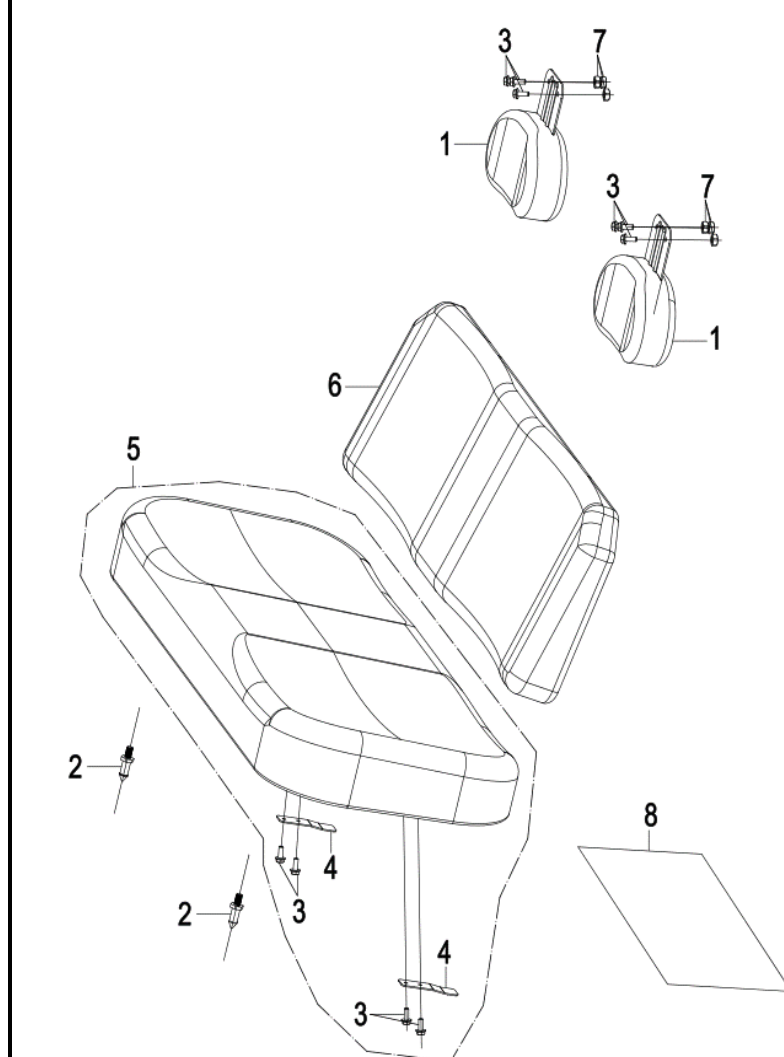
REF. No.	PART No.	Q'TY	PART NAME	PART NAME	REMARK
1	1MU5450300	8	轮钢紧固螺母	Nut, Wheel	
2-1	1MU5456000	2	铝轮钢	Rim (AL)	
2-2	2MU5456010	2	铝轮钢-21款	Rim (AL)	
2-3	1MU5456012	2	铝轮钢(12英寸)-全黑	Rim (AL-BLACK)	
3	9925241208060000	2	轮胎AT24x8-12 巧克力胎	Tire, FR24x8-12 Off Road	
4	1MU5554000	4	气门嘴组件	Valve, Rim(TR412)	
5-1	1MUX546320	1	右前(后)轮组件(铝) 24x8-12 巧克力胎	Tire ASSY FR (AL) 24x8-12 Off Road	
5-2	2MUX546320	1	右前(后)轮组件(铝) 24x8-12 巧克力胎-21款	Tire ASSY FR (AL) 24x8-12 Off Road-21	
5-3	2MUX546420	1	右前(后)轮组件(铝) 24x8-12 巧克力胎-全黑	Tire ASSY FR (AL) 24x8-12 Off Road-black	
6-1	1MUX546120	1	左前(后)轮组件(铝) 24x8-12 巧克力胎	Tire ASSY FL (AL) 24x8-12 Off Road	
6-2	2MUX546120	1	左前(后)轮组件(铝) 24x8-12 巧克力胎-21款	Tire ASSY FL (AL) 24x8-12 Off Road-21	
6-3	2MUX546220	1	左前(后)轮组件(铝) 24x8-12 巧克力胎-全黑	Tire ASSY FL (AL) 24x8-12 Off Road-black	
7	9500340032002300	2	GB/T 91 4x32 开口销	Cotter PIN 4x32	
8	1MU5450400	2	六角开槽螺母	Slotted Nut	
9	940832000001300	2	GB/T 1230 20 钢结构用高强度垫圈	Washer 20 (GB/T 1230)	
10	1EU5710600	1	小卡箍	Clamp	
11	1EU5710800	1	防尘套	Boot	
12	1EU5710900	1	卡圈 A	Clrclip A	
13	2MU5740000	2	前球笼组件	Front Drive Axle ASSY	
14-1	1mu545611010	2	铝轮钢护套(普通光亮面款)	CAP, Wheel Center (Glossy Aluminum)	
14-2	1mu545611020	2	铝轮钢护套(普通全黑款)	CAP, Wheel Center (All Black)	
14-3	1mu545611030	2	铝轮钢护套(21款)	CAP, Wheel Center (21)	

NO.36 后轮



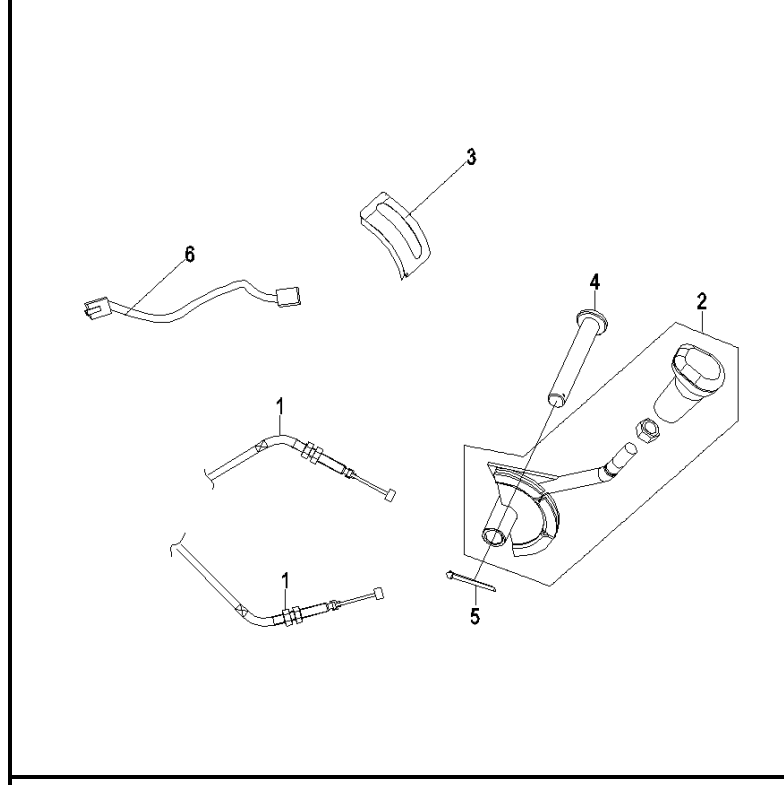
REF. No.	PART No.	Q'TY	PART NAME	PART NAME	REMARK
1	1MU5450300	8	轮钢紧固螺母	Nut, Wheel	
2-1	1MU5456000	2	铝轮钢	Rim (AL)	
2-2	2MU5456010	2	铝轮钢-21款	Rim (AL)	
2-3	1MU5456012	2	铝轮钢(12英寸)-全黑	Rim (AL-BLACK)	
3	9925241208060000	2	轮胎AT24x8-12 巧克力胎	Tire, RR24x8-12 Off Road	
4	1MU5554000	4	气门嘴组件	Valve, Rim(TR412)	
5-1	1MUX546320	1	右前(后)轮组件(铝) 24x8-12 巧克力胎	Tire ASSY FR (AL) 24x8-12 Off Road	
5-2	2MUX546320	1	右前(后)轮组件(铝) 24x8-12 巧克力胎-21款	Tire ASSY FR (AL) 24x8-12 Off Road-21	
5-3	2MUX546420	1	右前(后)轮组件(铝) 24x8-12 巧克力胎-全黑	Tire ASSY FR (AL) 24x8-12 Off Road-black	
6-1	1MUX546120	1	左前(后)轮组件(铝) 24x8-12 巧克力胎	Tire ASSY FL (AL) 24x8-12 Off Road	
6-2	2MUX546120	1	左前(后)轮组件(铝) 24x8-12 巧克力胎-21款	Tire ASSY FL (AL) 24x8-12 Off Road-21	
6-3	2MUX546220	1	左前(后)轮组件(铝) 24x8-12 巧克力胎-全黑	Tire ASSY FL (AL) 24x8-12 Off Road-black	
7	9500340032002300	2	GB/T 91 4x32 开口销	Cotter Pin 4x32	
8	1MU5450400	2	六角开槽螺母	Slotted Nut	
9	940832000001300	2	GB/T 1230 20 钢结构用高强度垫圈	Washer 20 (GB/T 1230)	
10	1EU5710600	1	小卡箍	Clamp	
11	1EU5710800	1	防尘套	Boot	
12	1EU5710900	1	卡圈 A	Clrclip A	
13	2MU5710010	1	左后球笼总成	Rear Drive Axle ASSY ,L	
14	2MU5720010	1	右后球笼总成	Rear Drive Axle ASSY ,R	
15-1	1mu545611010	2	铝轮钢护套(普通光亮面款)	CAP, Wheel Center (Glossy Aluminum)	
15-2	1mu545611020	2	铝轮钢护套(普通全黑款)	CAP, Wheel Center (All Black)	
15-3	1mu545611030	2	铝轮钢护套(21款)	CAP, Wheel Center (21)	

NO.37 座椅总成



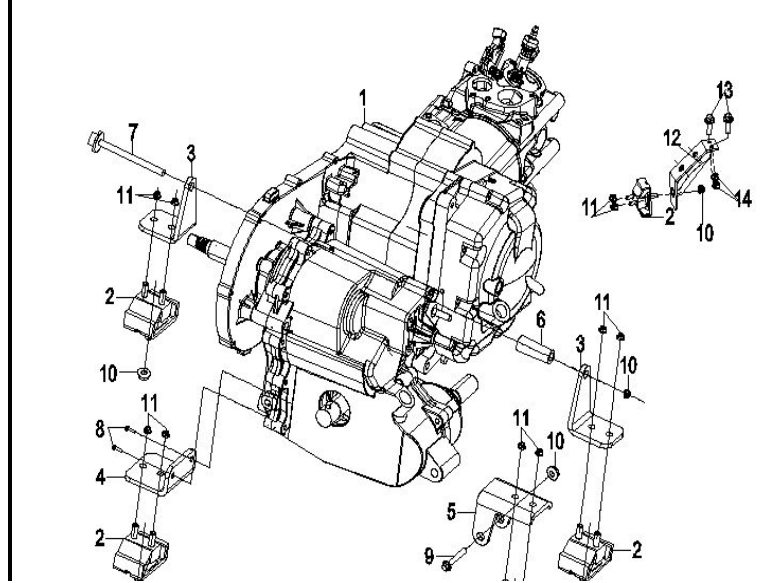
REF. No.	PART No.	Q'TY	PART NAME	PART NAME	REMARK
1	1MU5820010	2	头枕组件	Head Rest ASSY	
2	1MU5810210	2	座垫固定销	Pin,Seat ASSY	
3	9186306016166300	8	GB/T 5789 M6x16 六角法兰面螺栓(大)	Bolt M6x16 (GB/T 5789)	
4	1MU5810100	2	座垫限位板	Seat Lock	
5	1MU5810000	1	座垫组件	Seat ASSY	
6	1MU5831000	1	后靠背	Back Rest	
7	9330306010141300	4	GB/T 6187.1 M6 六角法兰面自锁螺母	Nut M6 (GB/T 6187.1)	
8	1MU6180910	1	座垫隔热垫(SSR)	Heat Insulation Film(Seat)	

NO.38 换挡机构

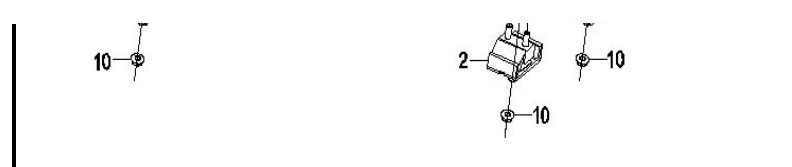


REF. No.	PART No.	Q'TY	PART NAME	PART NAME	REMARK
1	2MD562000	2	换挡拉索组件	Cable,Shifter ASSY	
2	2MU5661020	1	换挡器组件	Shift ASSY	
3	2MUX601470	1	LED换挡罩组件	LED Shift Cover	
4	1MU5660100	1	换挡杆安装轴	ALXE OF THE SHIFTER	
5	9500325025002300	1	开口销 2.5x25	COTTER PIN 2.5x25	
6	2MU8103000	1	LED换挡罩转接线	LED Tireline	

NO.39 发动机安装

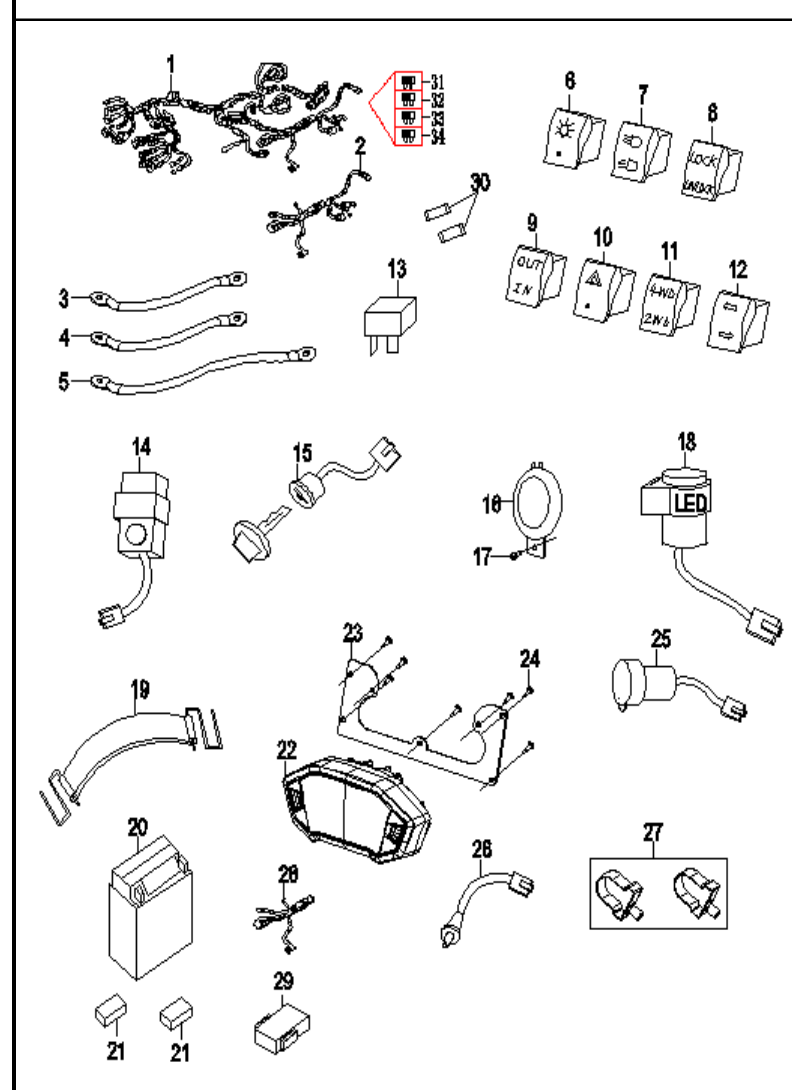


REF. No.	PART No.	Q'TY	PART NAME	PART NAME	REMARK
1	1MQ1000000	1	发动机总成	Engine ASSY	
2	2MU5015000	5	发动机缓冲胶垫	Engine Cushion Rubber	
3	2MU5011000	2	发动机前支撑	Engine Front Bracket	
4	2MU5012000	1	齿轮箱左支撑	Gear Box Bracket,Left	
5	2MU5013000	1	齿轮箱右支撑	Gear Box Bracket	
6	2MU5014000	1	发动机前支撑安装隔套	Engine Front Bracket Sleeve	
7	2MU5016000	1	发动机安装螺栓	Bolt M10x1.25x210	
8	9186310020281300	2	GB/T 5789 M10x1.25x20 六角法兰面螺栓(大)	Bolt M10x1.25x20 (GB/T 5789)	
9	1MU5510200	1	后A臂安装轴	Bolt M10x1.25x80 (GB/T 5789)	
10	9330310015261300	7	GB/T 6187.2 M10x1.25 六角法兰面自锁螺母	Nut M10x1.25 (GB/T 6187.2)	
11	9330308013241300	10	GB/T 6187.1 M8 六角法兰面自锁螺母	Nut M8 (GB/T 6187.1)	
12	2MD5081000	1	发动机上支撑	ENGINE SUPPORT	



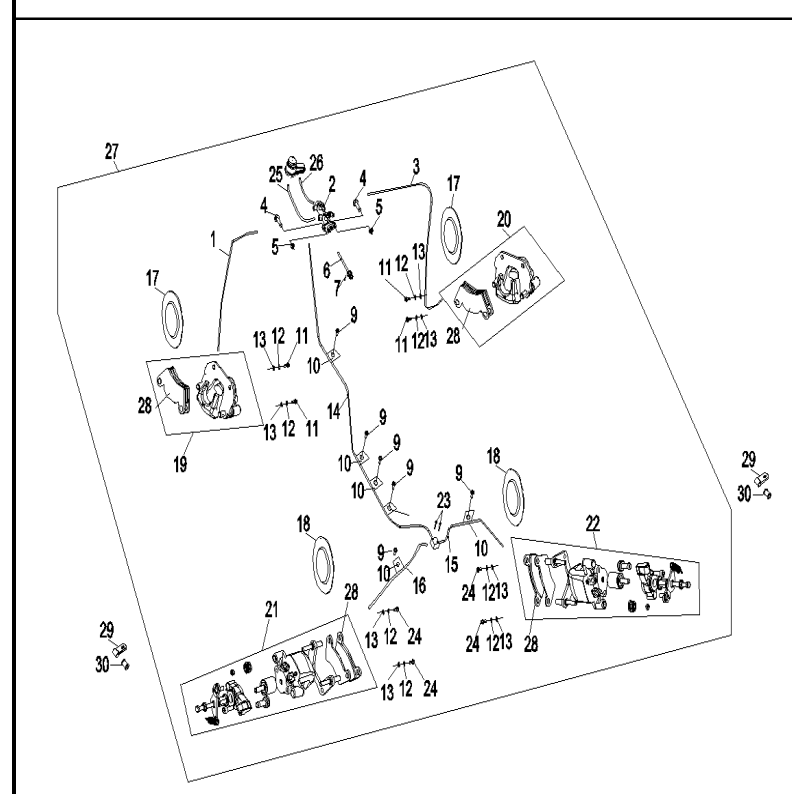
13	9186306045161300	2	M6X45螺栓	BOLT M6X45	
14	9330306010141300	2	六角法兰面自锁螺母M6	NUT M6X1.25	

NO.40 电器



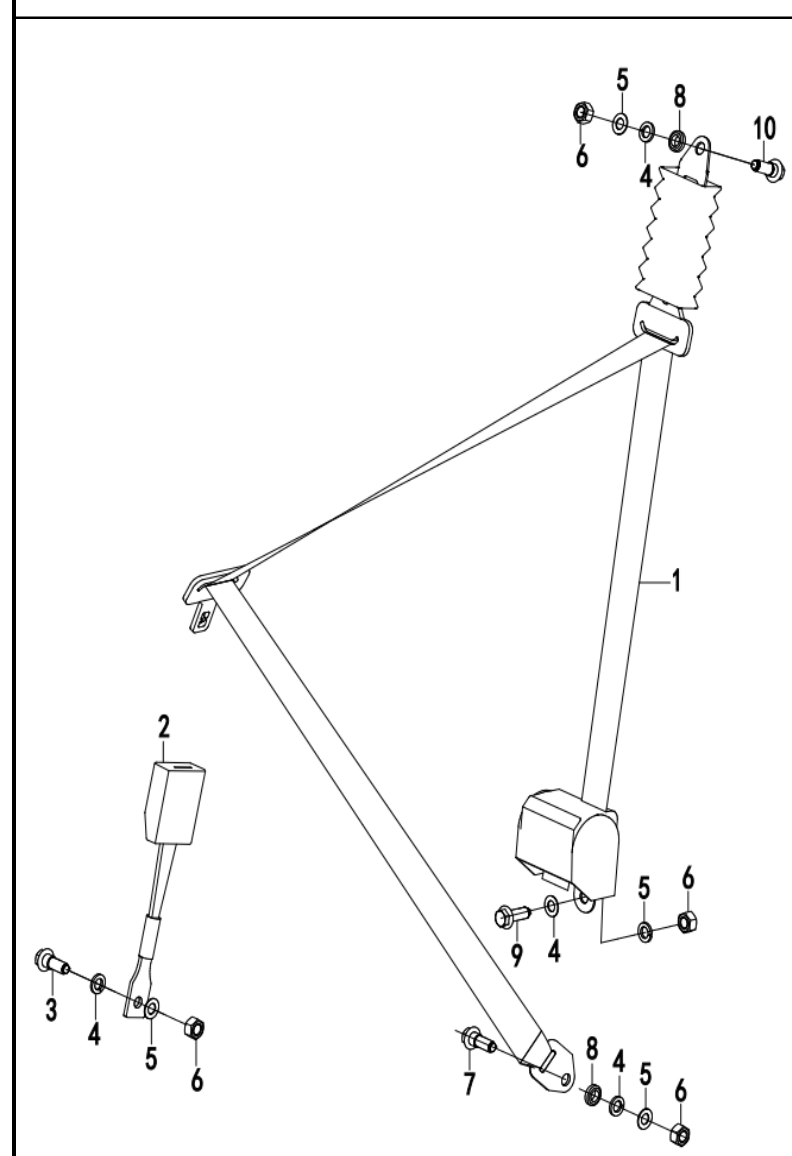
REF. No.	PART No.	Q'TY	PART NAME	PART NAME	REMARK
1	2MD8070030	1	主电缆	Main Wire	
2	2MD8083010	1	电喷电缆	Starter Wire 2	
3	2MD8081000	1	启动电缆1-接电瓶正极	Starter Wire 1	
4	2MD8082000	1	启动电缆2-接电瓶负极	Starter Wire 2	
5	2MD8084000	1	启动机电线	Starter Motor Wire	
6	2MU8052000	1	灯光切换开关	Light Switch	
7	2MU8053000	1	远近光开关	HI/ LO Beam Switch	
8	2MU8055000	1	后差速锁开关	Rear Differential Lock Switch.	
9	2MU8056000	1	牵引器开关	Tractor Switch	
10	2MU8054000	1	危急开关	Emergency Alarm Switch	
11	2MU8058000	1	四驱切换开关	2WD-4WD Switch	
12	2MU8059000	1	左右转向开关	Steering Lamp Steering Lamp Switch	
13	2MU8088000	2	保护器	Protector	
14	1MU8091000	1	倒车蜂鸣器	Reverse Relay ASSY	
15	1MU8051000	1	锁总成	Ignition Switch	
16	1MU8064000	1	电喇叭	Horn	
17	9186306016166300	1	GB/T 5789 M6×16 六角法兰面螺栓 (大)	Bolt M6×16 (GB/T 5789)	
18	1MU8020800	1	闪光蜂鸣器 (LED)	Flasher Relay ASSY (LED)	
19	2MU8101000	1	电瓶扎带	Battery Belt	
20	2MU8098000	1	电瓶 (12V 32Ah)	Battery (12V 32Ah)	
21	1MU6180100	6	三鑫减震垫	Damper,Plate Lower	
22	2MD8032000	1	液晶仪表 (XY450U-B) ——25寸轮) 20款	LCD Meter (XY450U-B 25Inch)	
23	2MU5081100	1	仪表连接板	Meter Connect Plate	
24	9271342130006300	7	GB/T 845 ST4.2×13 十字槽盘头自攻螺钉	Screw ST4.2×13 (GB/T 845)	
25	1MU8063000	1	充电器	Accessory Socket ASSY	
26	1MU8085000	1	驻车开关	Parking Switch	
27	2MU8077000	1	电瓶接线护套 (对)	Battery wiring sheath	
28	2MU8083100	1	电喷油泵转接线	EFI-Fuel Cable	
29	1MQ8147100	1	四口继电器	FOUR PORT RELAY	
30	2MU8070180	2	前后桥保险丝(10A)	Axle Fuses (10a)	
31	1MU8070300	1	保险丝 (7.5A)	Fuse (7.5A)	
32	3MU8070200	1	保险丝 (10A)	Fuse (10A)	
33	3MU8070400	1	保险丝 (20A)	Fuse (20A)	
34	2MU8070200	1	保险丝 (25A)	Fuse (25A)	

NO.41 液压制动总成



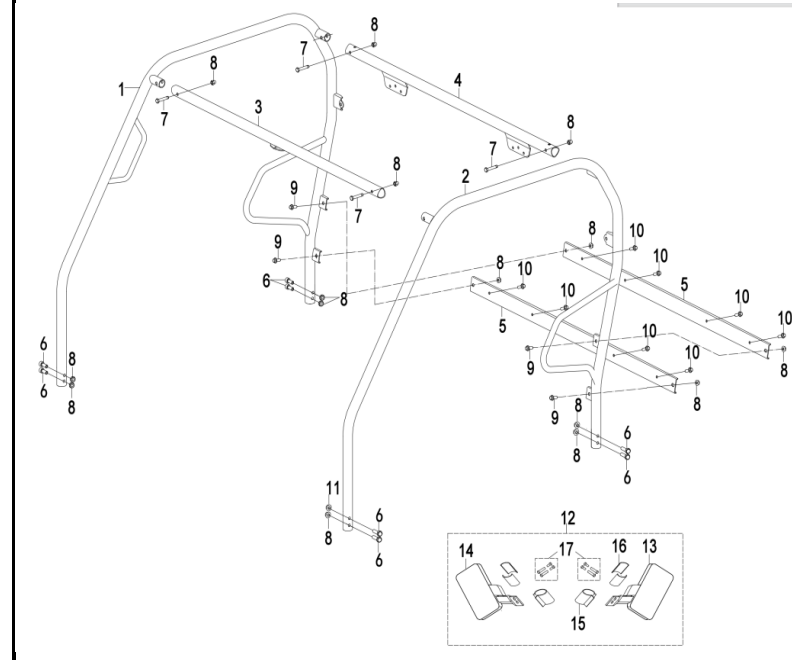
REF. No.	PART No.	Q'TY	PART NAME	PART NAME	REMARK
1	1MU5635000	1	前刹左油管组件	Front BrakeHose Assemblies (Driver Side)	
2	1MU5632000	1	制动主泵组件	Brake Master Pump ASSY	
3	1MU5636000	1	前刹右油管组件	Front BrakeHose Assemblies(Passenger Side)	
4	9184308030261300	2	GB/T 16674.1 M8×30 六角法兰面螺栓 (大)	Bolt M8×30 (GB/T 16674.1)	
5	9330308013241300	2	GB/T 6187.1 M8 六角法兰面自锁螺母	Nut M8 (GB/T 6187.1)	
6	1MU5632700	1	刹车顶杆组件	Putter	
7	9500320025002300	1	GB/T 91 2.0×25 开口销	Cotter Pin 2.0×25	
8	9151308025281300	2	GB/T 5783 M8×25 六角头螺栓	Bolt M8×25 (GB/T 5783)	
9	9184306012161300	6	GB/T 16674.1 M6×12 六角法兰面螺栓 (小)	Bolt M6×12 (GB/T 16674.1)	
10	1MU5631100	8	制动油管管夹	clamp	
11	9151308025281300	2	GB/T 5783 M8×25 六角头螺栓	Bolt M8×25 (GB/T 5783)	
12	9403108000000000	8	GB/T 93 8 弹性垫圈	Spring Washer 8 (GB/T 93)	
13	9401308000031300	8	GB/T 97.1 8 平垫圈	Washer 8 (GB/T 97.1)	
14	1MU5642000	1	制动器中油管组件	Middle BrakeHose Assemblies	
15	1MU5641000	1	后刹右油管组件	Rear BrakeHose Assemblies(Passenger Side)	
16	1MU5639000	1	后刹左油管组件	Rear BrakeHose Assemblies (Driver Side)	
17	1MU5455300	2	前碟刹盘	BrakeDisc, F	
18	1MU5555400	2	后碟刹盘	BrakeDisc, R	
19	1MU5633000	1	前刹左钳体组件	Front Brakecaliper ASSY (Driver Side)	
20	1MU5634000	1	前刹右钳体组件	Front Brakecaliper ASSY(Passenger Side)	
21	1MU5637000	1	后刹左钳体组件	Rear Brakecaliper ASSY (Driver Side)	
22	1MU5638000	1	后刹右钳体组件	Rear Brakecaliper ASSY(Passenger Side)	
23	9214350300012300	2	GB/T 818 M5×30 十字槽盘头螺钉	Screw M5×30(GB/T 818)	
24	9151308020281300	4	GB/T 5783 M8×20 六角头螺栓	Bolt M8×20 (GB/T 5783)	
25	1MU5632400	1	主泵制动软管 (后)	Main Pump Brake Hose, R	
26	1MU5632300	1	主泵制动软管 (前)	Main Pump Brake Hose, F	
27	2MD5631020	1	液压制动器总成	Brake ASSY	
28	1MU5633200	4	制动片组件	Inside/Outside pad	
29	2MU5650500	2	驻车拉索卡箍	Clamps	
30	2MU5650600	2	橡皮套	Rubber cover	

NO.42 安全带



REF. No.	PART No.	Q'TY	PART NAME	PART NAME	REMARK
1	1MU7151000	2	三点式安全带拉带	Belt(3 POINT)	
2	1MU7155000	2	安全带卡扣组件	Belt Lock ASSY	
3	1MU7150100	2	英制螺栓7/16×28	Bolt	
4	1MU7150200	8	弹垫	Spring Washer	
5	1MU7150300	8	锁紧垫圈	Washer	
6	1MU7150400	8	英制螺母7/16	Nut	
7	1MU7150500	2	安装螺栓A	Bolt A	
8	1MU7150600	4	垫圈	Washer	
9	1MU7150700	2	英制螺栓7/16×25	Bolt	
10	1MU7150900	2	英制螺栓7/16×35	Bolt 7/16×35	

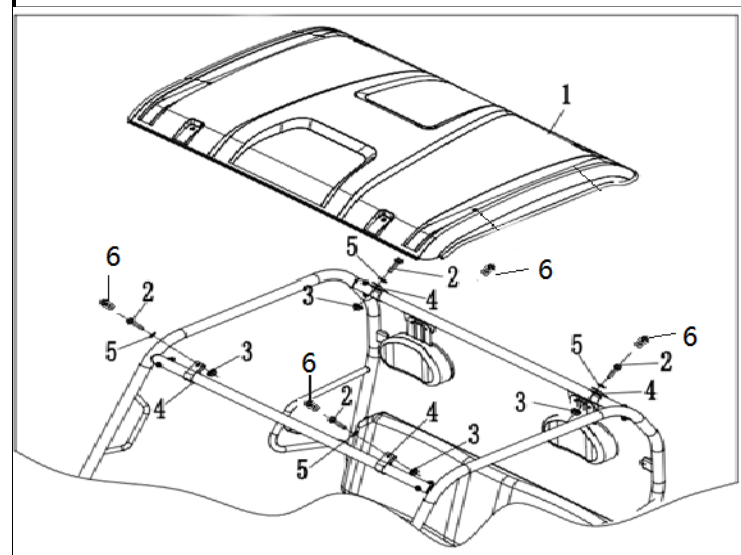
NO.43 ROP组件



REF. No.	PART No.	Q'TY	PART NAME	PART NAME	REMARK
1	2MU5210040	1	右边框焊接组件	Member,Roof Frame 1	
2	2MU5240030	1	左边框焊接组件	Member,Roof Frame 4	
3	1MU5220000	1	前横拉管焊接组件	Member,Roof Frame 2	
4	1MU5230000	1	后横拉管焊接组件	Member,Roof Frame 3	
5	1MU5830100	2	后靠背安装支架	Mounting Bracket	
6	9218310045346300	8	M10X1.5X45内六角圆柱头螺栓	Bolt M10×1.5×45	
7	9186310045281300	4	M10×1.25×45 (GB/T 5789)六角法兰面螺栓 (大)	Bolt M10×1.25×45 (GB/T 5789)	
8	9330310015261300	16	M10×1.25 (GB/T 6187.2)六角法兰面自锁螺母	Nut M10×1.25 (GB/T 6187.2)	
9	9186310030281300	4	M10×1.25×30 (GB/T 5789)六角法兰面螺栓 (大)	Bolt M10×1.25×30 (GB/T 5789)	
10	9186306016166300	8	M6×16 (GB/T 5789)六角法兰面螺栓 (大)	Bolt M6×16 (GB/T 5789)	
11	9332310016361300	8	M10X1.5六角锁紧螺母	Nut M10×1.5 (GB/T 6187.2)	
12	2MUX702101	1	左右后视镜组件 (19款)	Rear/ Left Rear View Mirror	
13	2MUX702111	1	左后视镜组件 (19款) (子件)	Left Rear View Mirror	
14	2MUX702112	1	右后视镜组件 (19款) (子件)	Right Rear View Mirror	

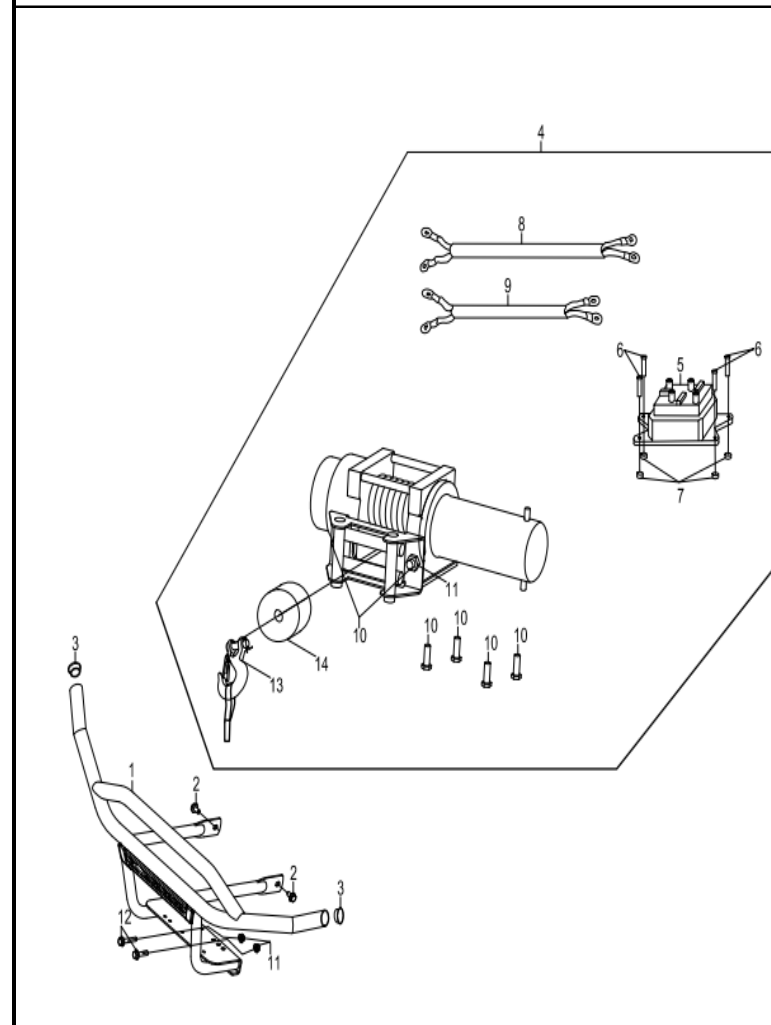
15	2MUX702113	2	后视镜抱箍 (400)	MIRROR CLAMP (400)	
16	2MUX702114	4	后视镜垫块 (400)	CLAMP SHIM (400)	
17	2MUX702115	4	后视镜螺栓	Rear View Mirror Bolt	

NO.44 顶棚



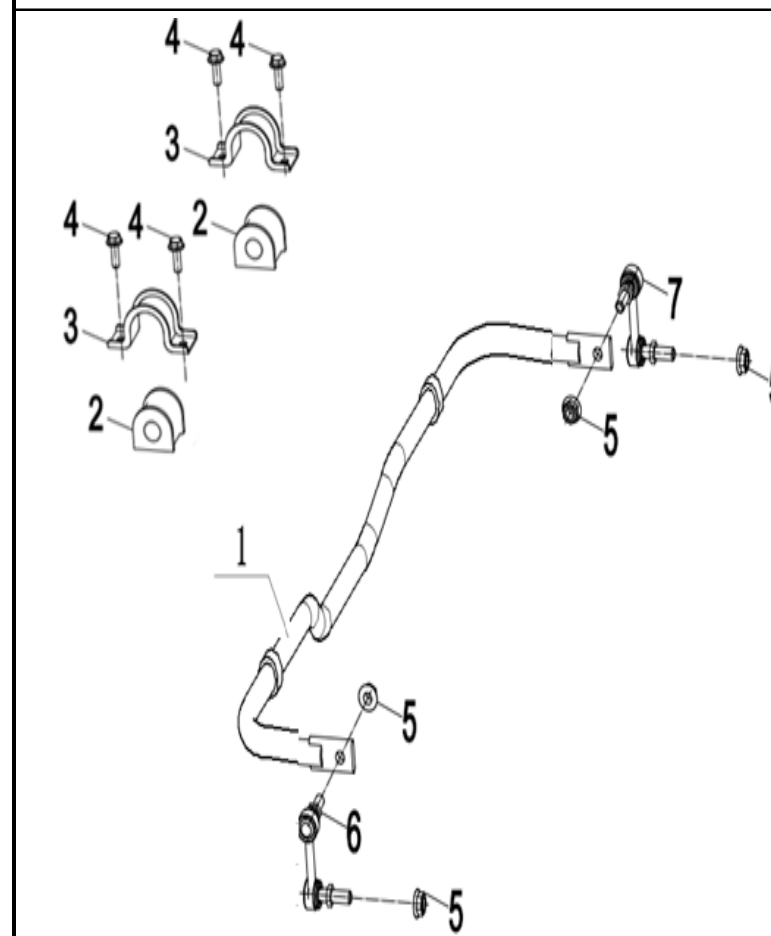
REF. No.	PART No.	Q'TY	PART NAME	PART NAME	REMARK
1	1MU7060100	1	顶棚	Roof	
2	9184308025261300	4	GB/T 16674.1 M8×25 六角法兰面螺栓 (小)	Bolt M8×25 (GB/T 16674.1)	
3	9330308013241300	4	GB/T 6187.1 M8 六角法兰面自锁螺母	Nut M8 (GB/T 6187.1)	
4	1MU7060200	4	顶棚卡箍	Rubber,Roof	
5	9401308000031300	4	GB/T 97.1 8 平垫圈	Washer 8 (GB/T 97.1)	
6	1MU7060400	4	顶棚固定螺栓盖帽	Roof Bolt Cover	

NO.45 保险杠



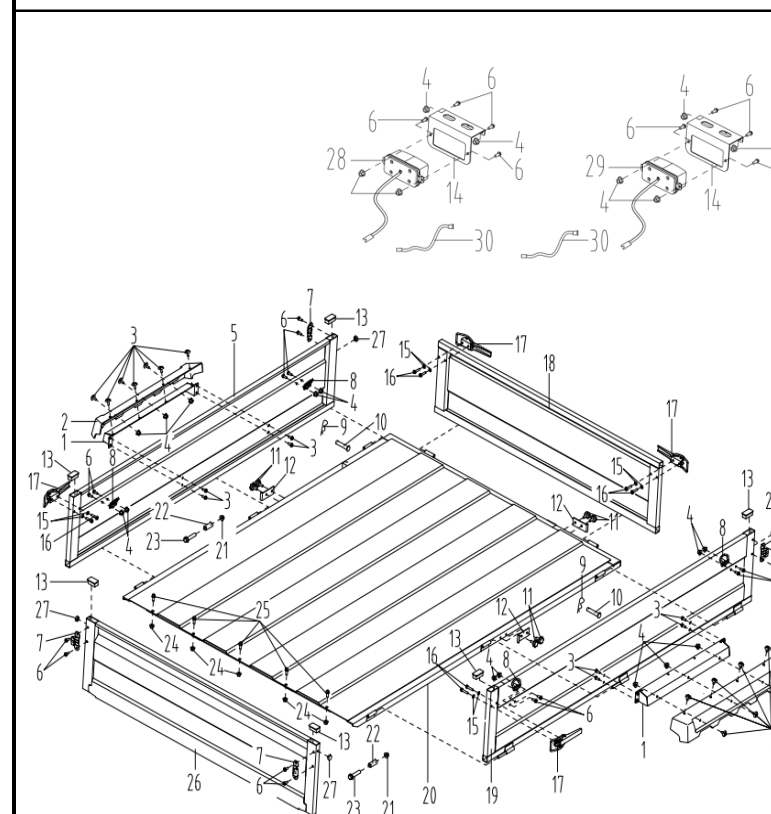
REF. No.	PART No.	Q'TY	PART NAME	PART NAME	REMARK
1	2MU5250010	1	前保险杠焊接组件	Front Bumper	
2	9186308020261300	2	GB/T 5789 M8×20 六角法兰面螺栓 (大)	Bolt M8×20 (GB/T 5789)	
3	1MU5000100	2	保险杠堵头	Plug	
4	2MU8020200	1	绞盘电机	Capstan Motor ASSY	
5	2MU802020	1	绞盘继电器	Winch Relay	
6	9186306025162300	4	GB/T 5789 M6×25 六角法兰面螺栓 (大)	Bolt M6×25 (GB/T 5789)	
7	9330306010141300	4	GB/T 6187.1 M6 六角法兰面自锁螺母	Nut M6 (GB/T 6187.1)	
8	2MU802021	1	电缆 (绞盘继电器—电瓶)	Cable (Winch Relay - Battery)	
9	2MU802022	1	电缆 (绞盘继电器—电机)	Cable (Winch Relay - Motor)	
10	9184308025261300	6	GB/T 16674.1 M8×25 六角法兰面螺栓 (小)	BOLT M8×25(GB/T 16674.1)	
11	9330308013241300	4	GB/T 6187.1 M8 六角法兰面自锁螺母	Nut M8 (GB/T 6187.1)	
12	9186308060261300	2	GB/T 5789 M8×60 六角法兰面螺栓 (大)	Bolt M8×60 (GB/T 5789)	
13	2MU802023	1	绞盘挂钩止位块	Winch Hook Stop Block	
14	2MU802024	1	绞盘挂钩	Winch Hook	
15	2MU802025	1	绞盘挂钩红色拉绳	Winch Hook Red Drawstring	

NO.46 后横向稳定杆



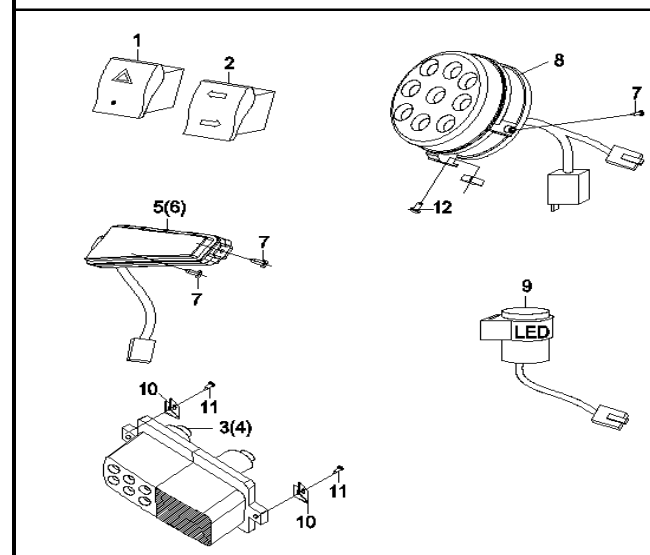
REF. No.	PART No.	Q'TY	PART NAME	PART NAME	REMARK
1	2MU5561000	1	横向稳定杆	BAR ,STABILIZER	
2	1MU5560200	2	横向稳定杆缓冲套	BUSH,STABILIZER	
3	1MU5560100	2	横向稳定杆卡箍	HOLDER,STABILIZER BUSH	
4	9186308020261300	4	GB/T 5789 M8×20 六角法兰面螺栓 (大)	Bolt M8×20 (GB/T 5789)	
5	9330310015261300	4	GB/T 6187.2 M10×1.25 六角法兰面自锁螺母	Nut M10×1.25 (GB/T 6187.2)	
6	1MU5563000	1	横向稳定杆右球头连杆	JOINT, STABILIZER R	
7	1MU5562000	1	横向稳定杆左球头连杆	JOINT, STABILIZER L	

NO.47 货箱总成



REF. No.	PART No.	Q'TY	PART NAME	PART NAME	REMARK
1	2MG5081000	2	挡泥板安装座	Supprot for Mudguards	
2	2MG5026000	2	长货箱挡泥板	Mudguards for Long CARRIER BOX ASSY	
3	9276360160111300	22	M6×16大扁头内六角螺栓	Screw M6×16	14+8=22
4	9330306010141300	22	GB/T 6187.1 M6 六角法兰面自锁螺母	NUT M6 (GB/T 6187.1)	
5	2MG5317000	1	双排加长货箱右侧焊接组件	BOX MAIN COVER	
6	9186306016166300	24	六角法兰面螺栓 (大) M6X16	BOLT M6×16 (GB/T 5789)	32-8=24
7	2MU5903900	4	货箱拉杆勾板	Hook Plate	
8	2MU590380001	4	货箱拉钩	Cargo Box Retractor	
9	9501303060000000	2	GB/T 623 3×60 B型销	B PIN 3×60	
10	1MU5900100	2	货箱安装插销	PIN AXLE	
11	2MG5062000	6	黑色梅花螺栓M6*16-25	Black Hexalobular Internal Bolt M6*16-25	
12	2MG5089000	3	铰链限位板	Hinge Lock	
13	1MU7087600	6	50×25矩形堵头	Plug 50×25	
14	2MG5085000	2	加长货箱后尾灯安装板	Mounting Plate for Tail Light	
15	9401306000031300	8	GB/T 97.1 6 平垫圈	WASHER 6 (GB/T 97.1)	
16	9184306035166300	8	GB/T 16674.1 M6×35 六角法兰面螺栓(小)	BOLT M6×35 (GB/T 5789)	
17	2MU590300001	4	货箱后扶手组件	Holder Stick ASSY	
18	2MG5314000	1	双排加长货箱后部焊接组件	BOX COVER,REAR	
19	2MG5316000	1	双排加长货箱左侧焊接组件	BOX COVER,LEFT	
20	2MG5312000	1	双排加长货箱底部焊接组件	BOX COVER,BOTTOM	
21	9330310015261300	2	GB/T 6187.2 M10×1.25 六角法兰面自锁螺母	Nut M10×1.25 (GB/T 6187.2)	
22	2MG5088000	2	货箱前上安装板衬套	Front Upper Mounting Plate Bushing	
23	9186310060281300	2	GB/T 5789 M10×1.25×60 六角法兰面螺栓(大)	BOLT M10×1.25×60 (GB/T 5789)	
24	9330308013241300	5	六角法兰面自锁螺母M8	NUT M8 (GB/T 6187.1)	
25	9186308020261300	5	六角法兰面螺栓 (大) M8X20	BOLT M8×20 (GB/T 5789)	
26	2MG5318000	1	双排加长货箱前部焊接组件	BOX COVER,FR	
27	2MG5031000	4	长货箱盖板缓冲橡胶	Rubber Set, Long Cargo Box	
28	1MU8020300	1	右后尾灯(LED)	LED Tail Light,R(Passenger Side)	
29	1MU8020400	1	左后尾灯(LED)	LED Tail Light,L(Driver Side)	
30	2MG8085000	2	尾灯延长线	Extended Line forTail Light	

NO.48 灯具



REF. No.	PART No.	Q'TY	PART NAME	PART NAME	REMARK
1	2MU8054000	1	危急开关	Emergency Alarm Switch	
2	2MU8059000	1	左右转向开关	Steering Lamp Switch	
5	1MU8020100	1	右前转向灯(LED)	LED Turn Signal Light,FR	
6	1MU8020200	1	左前转向灯(LED)	LED Turn Signal Light,FL	
7	9271339095006300	6	GB/T 845 ST3.9×9.5 十字槽盘头自攻螺钉	Screw ST3.9×9.5 (GB/T 845)	
8	1MU8020510	2	前照灯(LED)	HeadLight(LED)	
9	1MU8020800	1	闪光蜂鸣器 (LED)	Flasher Relay ASSY (LED)	
12	9214350120011300	2	MSX12螺栓	Bolt MSX12	

NO.49 挡风玻璃



REF. No.	PART No.	Q'TY	PART NAME	PART NAME	REMARK
1	2MU7071030	1	挡风玻璃组件-400 20款	Windshield ASSY-400	
2	2MU7072000	4	挡风玻璃抱箍	Windshield Hold Hoop	
3	1FL1201004	1	侧护网	Safety Net	

