

## NOTICE

\*Please make sure that you have all parts indicated and they are in good condition before you begin assembly of this item. Refer to part list and hardware list below for guidance.

\*This item should be assembled on a soft surface to prevent scratching the finish during assembly.

\*This item may require periodic tightening.

\*If you are having difficulty, our friendly Customer Care team is always here to help. Please email [customersupport@safavieh.com](mailto:customersupport@safavieh.com).

## PREPARATION

\* Before beginning assembly of product, make sure all parts are present. Compare parts with part contents list and hardware contents list.

\* If any part is missing or damaged, do not attempt to assemble the product.

\* Estimated Assembly Time: 10 minutes.

\* Tools Required for Assembly (included): Allen Key

## CARE AND MAINTENANCE

### OUTDOOR FURNITURE CARE

Store outdoor furniture indoors or cover well when not in use. Remove wooden furniture from standing water.

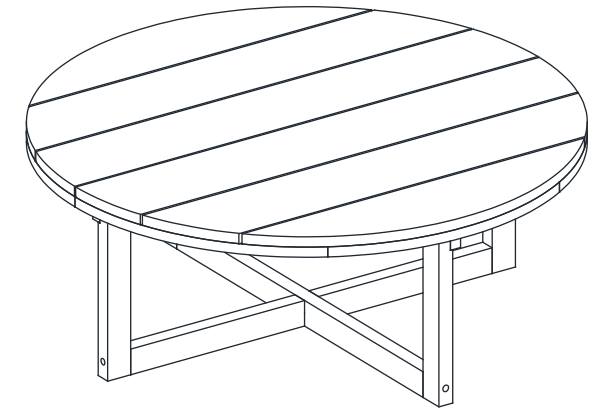
Dust regularly with small brush or vacuum.

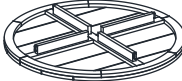

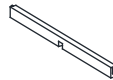
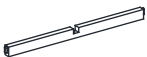



Spills should be taken care of immediately before they harden or stain with a slightly dampened sponge.

 **SAFAVIEH**  
O U T D O O R

Model# PAT-7320

Product Dimensions: 39.4" W x 39.4" D x 30.9" H



| PIECE | DESCRIPTION           | PICTURE  | QUANTITY |
|-------|-----------------------|--|----------|
| A     | Table Top             |             | 1X       |
| B     | Table leg             |           | 4X       |
| C     | Cross Bar 1           |           | 1X       |
| D     | Cross Bar 2           |           | 1X       |
| HW1   | Screw: M6 x0.5 x70 mm | <br>M6x70 | 8X       |
| HW2   | Screw: M6 x0.5 x35 mm | <br>M6x35 | 1X       |
| HW3   | Allen key             | <br>LG4   | 1X       |



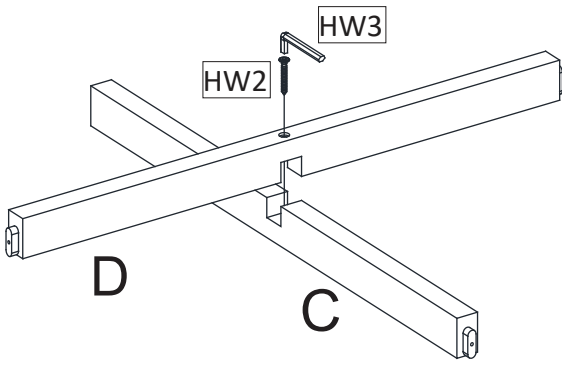
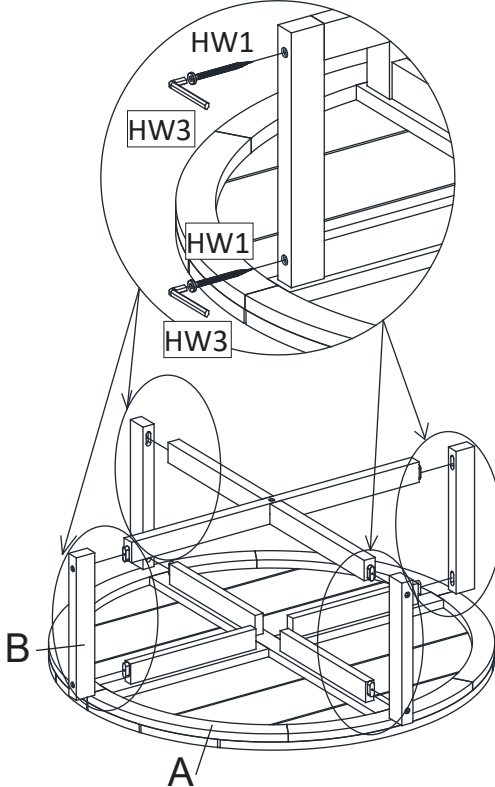
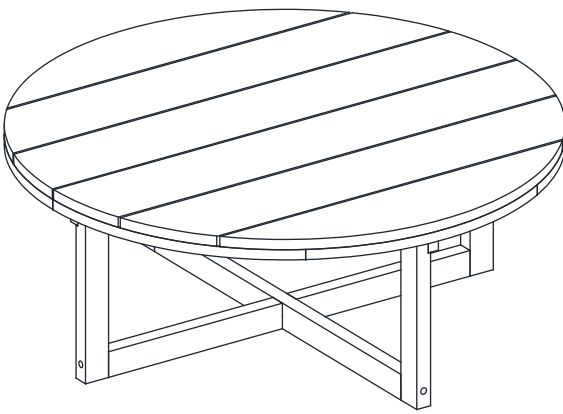
**Weight Capacity :40 Ibs**

**Warning : Do not stand on Table**

**Warning : Do not over torque bolts / screws**

# PREPARATION

- \*Before beginning assembly of product, make sure all parts are present. Compare parts with package contents list and hardware contents list.
- \*If any part is missing or damaged, do not attempt to assemble the product.
- \* Estimated Assembly Time : 10 minutes.
- \* Tools Required for Assembly (included): Allen Key
- \* If you are having difficulty, our friendly Customer care team is always here to help. Please email [customersupport@safavieh.com](mailto:customersupport@safavieh.com)

|   |  |   |
|---|--|---|
| <p><b>1</b></p>               | <p><b>2</b></p>                     | <p><b>3</b></p>  |
| <p>Step 1<br/>Attach Cross Bar 2 (D) to Cross Bar 1 (C) ,<br/>Use Screw (HW2) tighten with allen key (HW3).</p> | <p>Step 2<br/>Attach Legs (B) to Table top (A) and Cross Bar C,D<br/>Use Screw (HW1) tighten with allen key (HW3).</p> | <p>Step 3<br/>Caution: This Table can only be used on<br/>a flat, level surface</p>                 |