

NOTICE

*Please make sure that you have all parts indicated and they are in good condition before you begin assembly of this item. Refer to part list and hardware list below for guidance.

*This item should be assembled on a soft surface to prevent scratching the finish during assembly.

*This item may require periodic tightening.

*If you are having difficulty, our friendly Customer Care team is always here to help. Please email customersupport@safavieh.com.

PREPARATION

* Before beginning assembly of product, make sure all parts are present. Compare parts with part contents list and hardware contents list.

* If any part is missing or damaged, do not attempt to assemble the product.



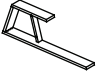
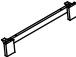
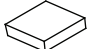
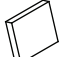


* Estimated Assembly Time: 10 minutes.



*Tools Required for Assembly (included): Allen Key

CARE AND MAINTENANCE

Insert Care and Maintenance here

Part List and Hardware List

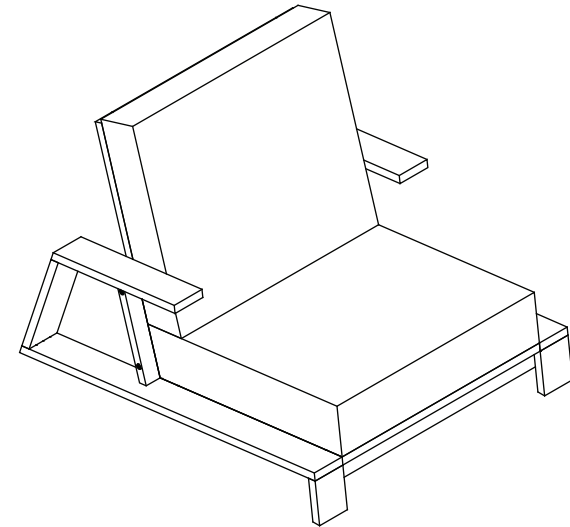
PIECE	DESCRIPTION	PICTURE	QUANTITY
A	Frame back		1X
B	Frame Seat		1X
C	Frame Leg		2X
D	Cross Leg		1X
CSH1	Seat Cushion		1X
CSH2	Back Cushion		1X
HW1	Screw: M6 x0.5 x40 mm	 M6x40	4X
HW2	Screw: M6 x0.5 x70 mm	 M6x70	2X

HW3	Screw: M6 x0.5 x90 mm	 M6x90	4X
HW4	Allen key	 LG4	1X

SAFAVIEH C O U T U R E

Model# CPT1038A

Product Dimensions: 31.89" W x 42.12" D x 29.92" H



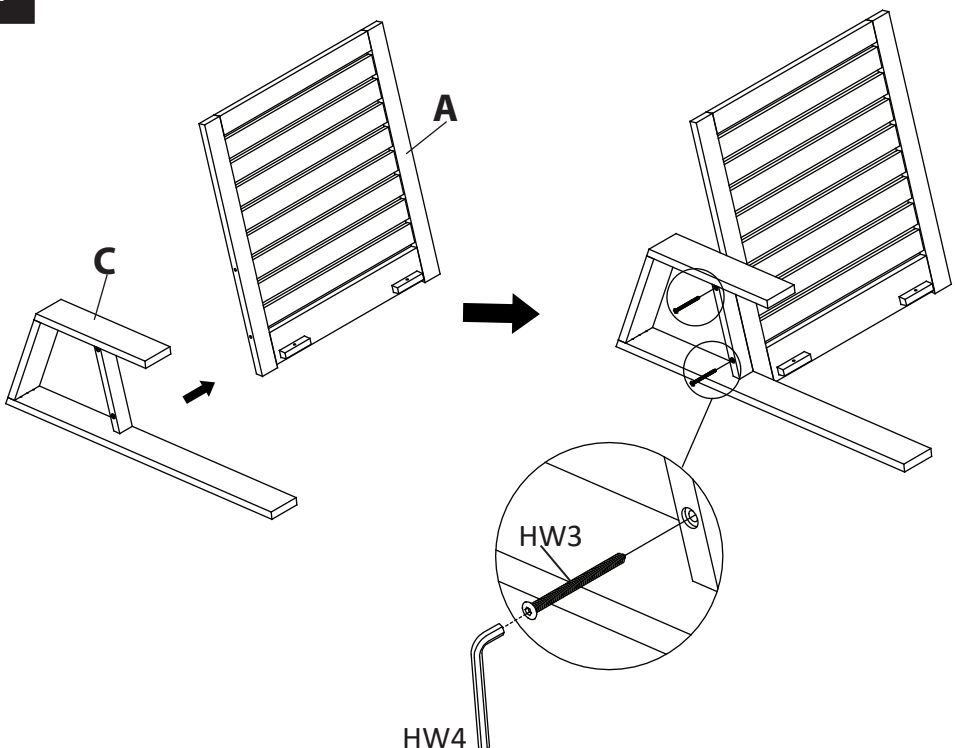
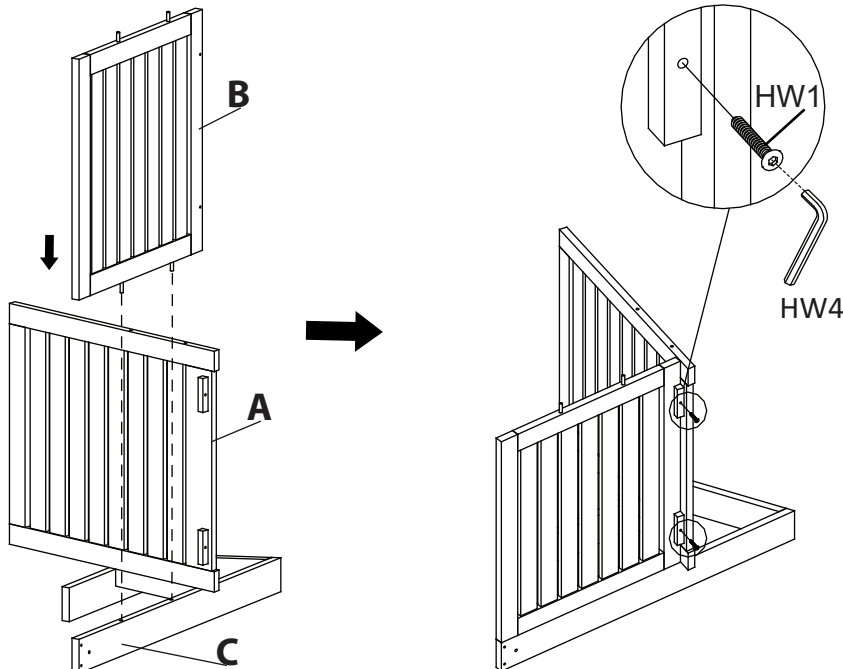
Weight Capacity : 200 lbs

Warning : Do not stand on chair

Warning : Do not over torque bolts / screws

PREPARATION

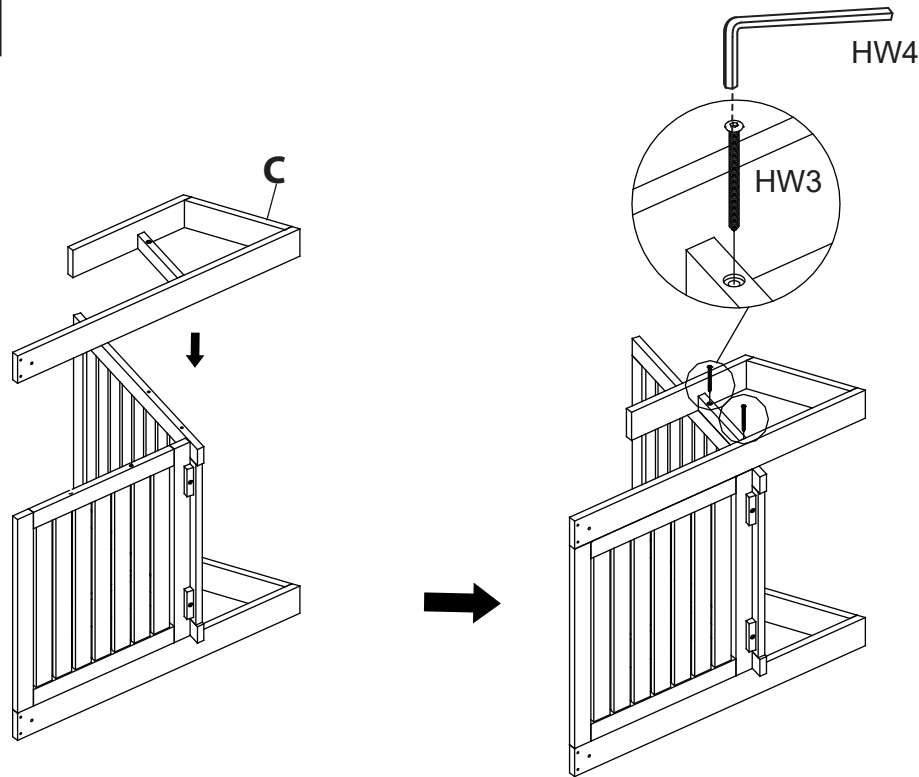
- *Before beginning assembly of product, make sure all parts are present. Compare parts with package contents list and hardware contents list.
- *If any part is missing or damaged, do not attempt to assemble the product.
- * Estimated Assembly Time : 10 minutes.
- * Tools Required for Assembly (included): Allen Key
- * If you are having difficulty, our friendly Customer care team is always here to help. Please email customersupport@safavieh.com

<p>1</p> 	<p>2</p> 
<p>Step 1 Attach Frame Leg (A) to Back Frame (C), use Screws (HW3) , tighten with Allen Key (HW4)</p>	<p>Step 2 Attach Frame Seat (B) to the assembled frame in step 1, use Screws (HW1) , tighten with Allen Key (HW4)</p>

PREPARATION

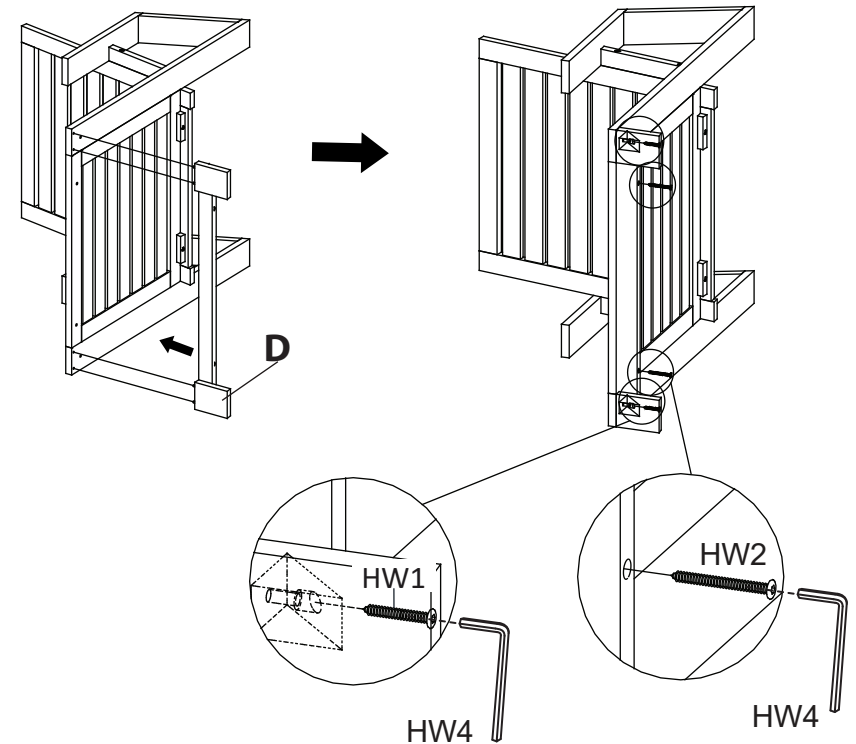
- * Before beginning assembly of product, make sure all parts are present. Compare parts with package contents list and hardware contents list.
- * If any part is missing or damaged, do not attempt to assemble the product.
- * Estimated Assembly Time : 10 minutes.
- * Tools Required for Assembly (included): Allen Key
- * If you are having difficulty, our friendly Customer care team is always here to help. Please email customersupport@safavieh.com

3



Step 3
Attach Frame Leg (C) to the assembled frame in step 2 , use Screws (HW3), tighten with Allen Key (HW4)

4

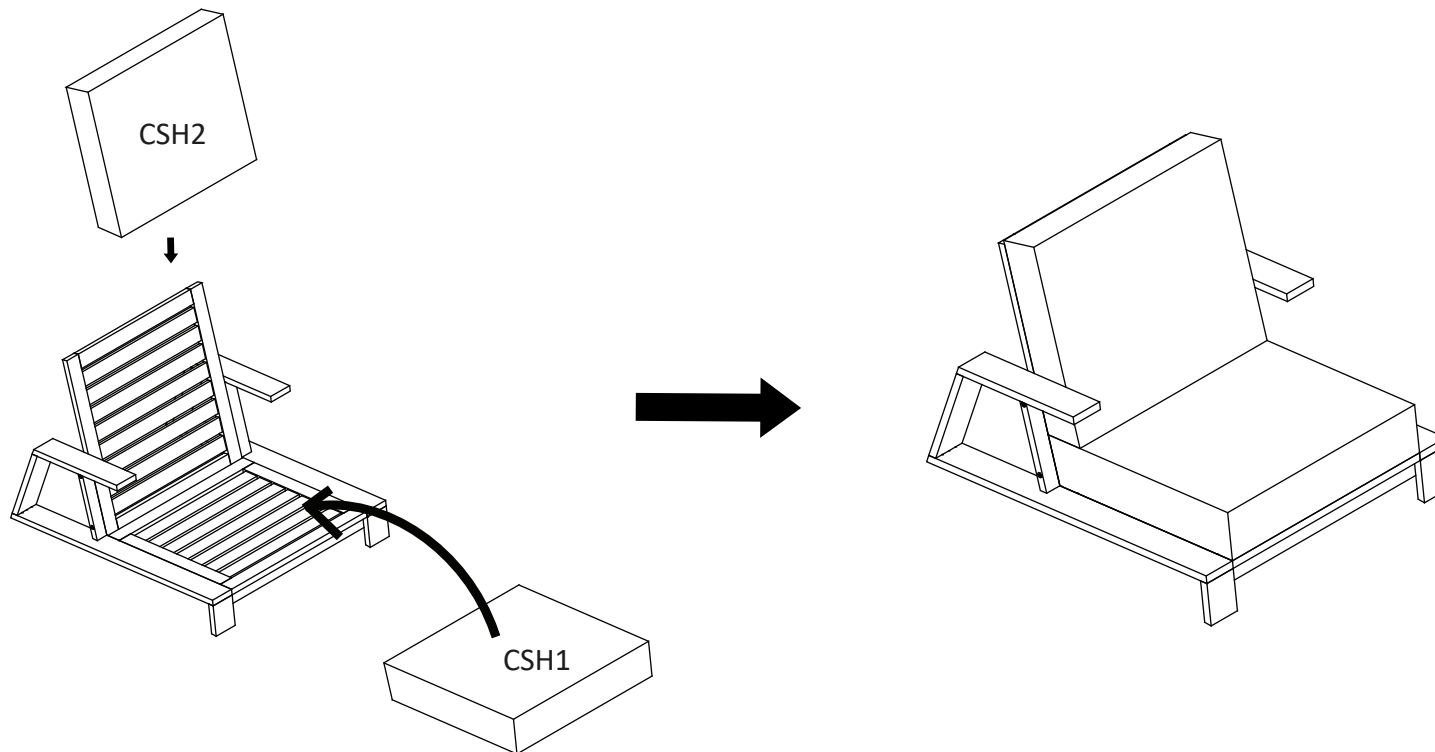


Step 4
Attach Cross Leg (D) to the assembled frame in step 3 , use Screws (HW1) , Screws (HW2) tighten with Allen Key (HW4)

PREPARATION

- *Before beginning assembly of product, make sure all parts are present. Compare parts with package contents list and hardware contents list.
- *If any part is missing or damaged, do not attempt to assemble the product.
- * Estimated Assembly Time : 10 minutes.
- * Tools Required for Assembly (included): Allen Key
- * If you are having difficulty, our friendly Customer care team is always here to help. Please email customersupport@safavieh.com

5



Step 5

Attach Ensure all screws, bolts are fully locked into position . Place Seat Cushion (HW1), Back Cushion (HW2) into the Chair.
The Chair is ready to be used