

CARE AND MAINTENANCE

Store outdoor furniture indoors or cover well when not in use.

Remove wooden furniture from standing water. Dust regularly with small brush or vacuum

Spills should be taken care of immediately before they harden or stain with a slightly dampened sponge.

NOTICE

- * Please make sure that you have all parts indicated before you begin assembly of this item
- * This item should be assembled on a soft surface to prevent scratching the finish during assembly
- * This item may require periodic tightening

SAFAVIEH

C O U T U R E

Weight Capacity : 600 Ibs

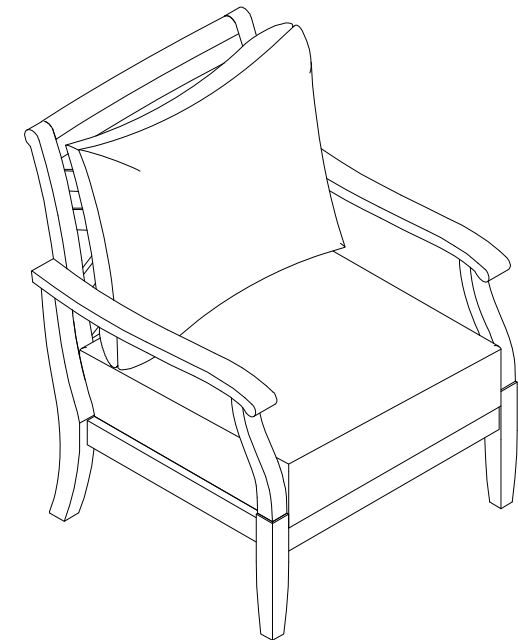
Warning : Do not stand on chair

Warning : Do not over torque bolts / screws













Model# CPT1022

Product Dimensions: 31.2" W x 32.8" D x 37.6" H



Part List and Hardware List

PIECE	DESCRIPTION	PICTURE	QUANTITY
A	Back Frame		1X
B	Seat Frame		1X
C	Right Leg Frame		1X
D	Left Leg Frame		1X
G	Cushion Back		1X
H	Cushion Seat		1X
I	Dowel		2X
J	Bolt	 M6 x 35	2X
K	Bolt	 M6 x 60	8X
M	Allen key	 LG4	2X

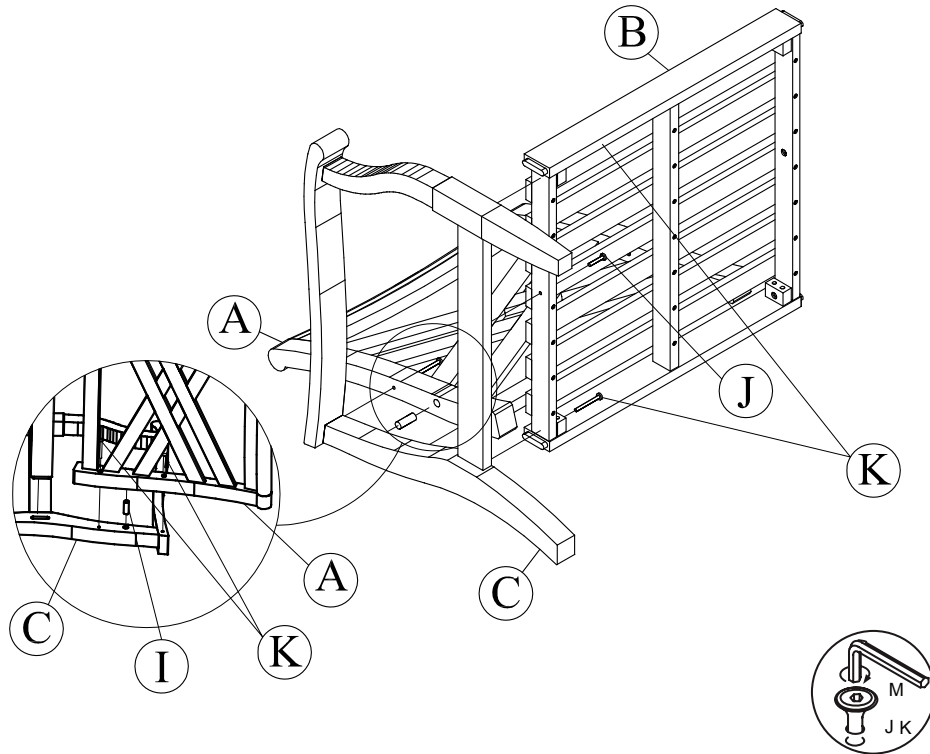
PREPARATION

Before beginning assembly of product, make sure all parts are present. Compare parts with package contents list and hardware contents list. If any part is missing or damaged, do not attempt to assemble the product.

Estimated Assembly Time: 10 minutes.

Tools Required for Assembly (included): Allen Key

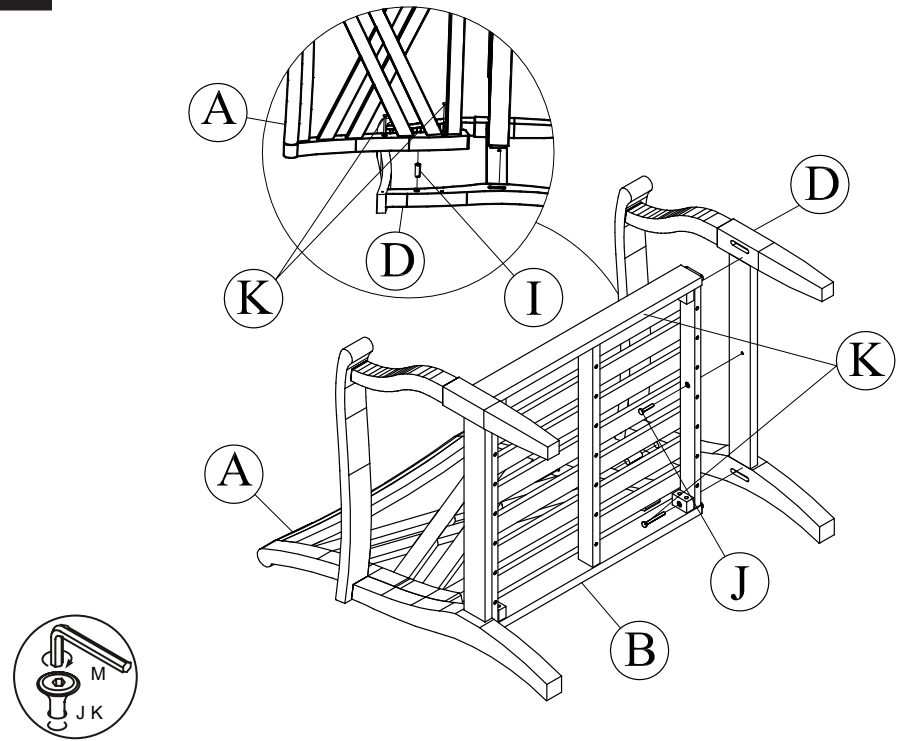
1



Step 1

Attach Right Frame (C) go to Seat Frame (B) & Back Frame (A) by using Dowel (I), Bolt (K) and Bolt (J) tighten with Allen Key (M).

2



Step 2

Attach Right Frame (D) go to Seat Frame (B) & Back Frame (A) by using Dowel (I), Bolt (K) and Bolt (J) tighten with Allen Key (M).

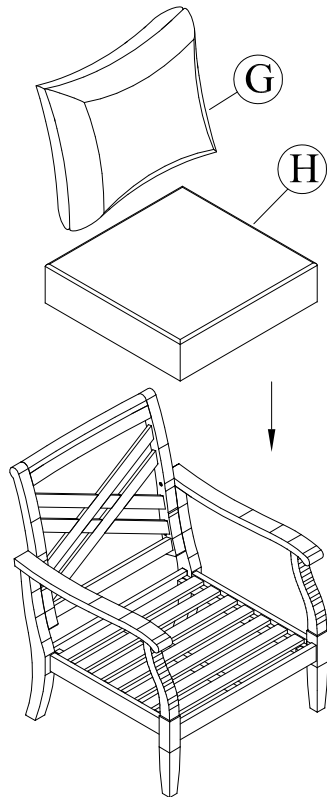
PREPARATION

Before beginning assembly of product, make sure all parts are present. Compare parts with package contents list and hardware contents list. If any part is missing or damaged, do not attempt to assemble the product.

Estimated Assembly Time: 10 minutes.

Tools Required for Assembly (included): Allen Key

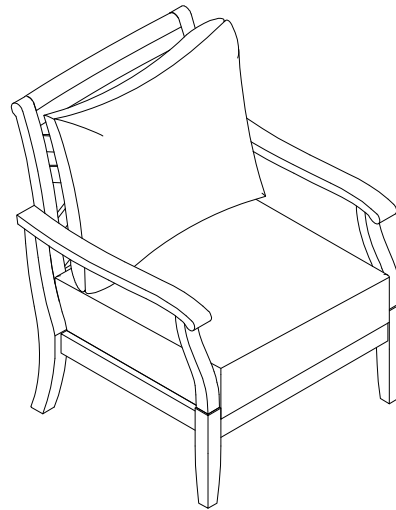
3



Step 3

Attach Back Cushion (G) and Seat Cushion (H)

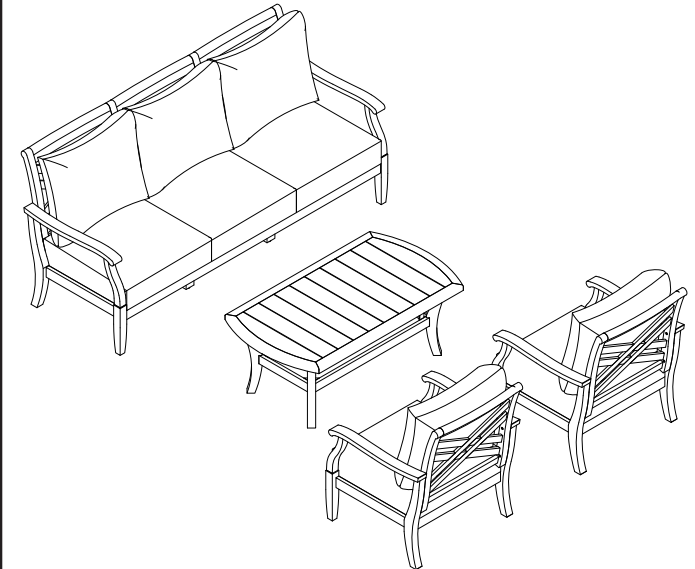
4



Step 4

Finished

5



Step 5