



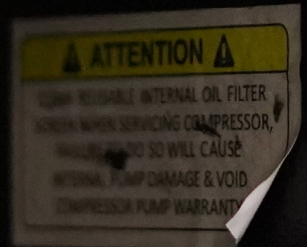
THE EMAX ADVANTAGE



EMAXCOMPRESSOR.com

TABLE OF CONTENTS

2-3	TABLE OF CONTENTS
4-5	TECHNOLOGIES
6-9	SILENT AIR
10-13	SMART AIR
14-15	HYDRO
16-17	PISTON FEATURES AND BENEFITS
18-19	ROTARY SCREW FEATURES AND BENEFITS
20-21	QUALITY & VALUE



**Product Range:
5-25HP Piston
Technology to
5-400HP Rotary
Screw Technology**

**The only Air
Compressor
Manufacturer with
exclusive drop
ship programs**

**Founded in Eaton OH in 1977 as EATON
Compressor & Fabrication Industries
A Privately Owned Manufacturer now
based in Dayton OH**

**Over 40 Years of Engineering the
Next Generation of Compressed Air**

INDUSTRY LEADING AIR TECHNOLOGIES.

ENVIRONMENTAL CONCIOUSNESS

Replace ALL existing obsolete HIGH energy consumption reciprocating piston air compressors with tech forward high efficiency, EMAX SMART AIR™, HYDRO, or SILENT AIR™ air systems.

MISSION STATEMENT

Eliminate Extreme Noise & Energy Waste associated with Compressed Air Systems in the workplace.



SILENT AIR™

Stationary Air Compressors 5HP – 400 HP (Patented on all piston models to 25HP)



SMART AIR™

All EMAX Piston Compressors use EATON Compressor Industries Patented SMART AIR Pressure Lubricated Pumps and yield up to 90% energy savings.

Wi-Fi Enabled 5HP-25HP Stationary Air compressors for 7x24 monitoring and remote operating control

Advanced Pressure Lubricated Low RPM Variable Speed Piston Pump Technology

Single Phase Electric technology up to 25HP (Most Competitors 5-7.5HP)



HYDRO

NEW HYDRO Patent Pending water cooled piston compressor technology delivers 100% duty cycle that is designed to run 24/7/365 nonstop.



MAINTENANCE SYSTEMS

Industry Leading Extended LIFETIME Pump warranty on all Pressure Lubricated Piston Pumps

Automatic Electronic tank drain systems

Integrated refrigerated air dryers with built in pre-filters & coalescent filtration system



SILENTAIR

TECHNOLOGY

Our EMAX U.S. Patented “Air Silencer”, with our 5-stage air intake noise reduction technology works at levels no louder than a normal conversation.

Engineered & manufactured in the U.S.A., EMAX SILENT AIR™ technology suppresses stationary compressor operating noise up to 50%! EMAX engineers first conceived the need for a noise suppression solution after long term feedback from industry wide compressor users revealed a large number of complaints regarding the extreme noise level of their compressors in common work environments. Stationary air compressor noise levels typically require owners to incur the added expense of a building or structure to house the compressor in an attempt to reduce noise in the work environment.

NOISE FATIGUE

Compressed Air Systems are a common reason for employee hearing loss, absence, and frequent turnover. A typical 7.5HP reciprocating compressor generates 85-95 decibels of noise output equivalent to a freight train horn.

The CDC states “Noise above 70 dB over a prolonged period of time, may lead to hearing loss.”

SILENT AIR SOLUTION

INSTALLATION

01

EMAX SILENT AIR™ patented systems can be installed and operated in all Garage, Farm Shop, and Industrial applications which eliminates the need for traditionally expensive and often inadequate separate buildings or structures to house the air compressor. Our systems are pre installed on the tank reservoir and are designed for easy removal and space constrained environments.



WORK AT
LEVELS NO LOUDER
THAN A NORMAL
CONVERSATION.

NOISE REDUCTION

02

EMAX
SILENT AIR™
solutions
dissipate

compressor intake noise by channeling the intake air through a series of baffle plates and pre-filter media within the silencer cabinet. As a result, piston intake noise is trapped and dissipated within the silencer structure.

FILTRATION

03

EMAX SILENT
AIR systems
are also
engineered

to act as a secondary 5 stage intake filtration for cleaner system lines while reducing pipe scaling, contamination, and air tool and equipment damage. Ideal for dirty work environments!



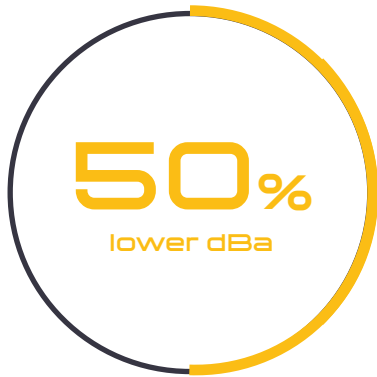
SILENT AIR

TECHNOLOGY



EMAX
ADVANTAGE





MORE POWER, LESS NOISE.

Our new generation of air tools have increased the power while amping down on the noise, creating an unbeatable combination.

SILENT AIR™ TECHNOLOGY LOWERS THE BAR.

The new generation of air tools have increased the power while amping down on the noise, creating an unbeatable combination.

A - Quiet Area // No Wind

B - Silent Air™ Technology

C - Subway Train From A Distance Of 200'

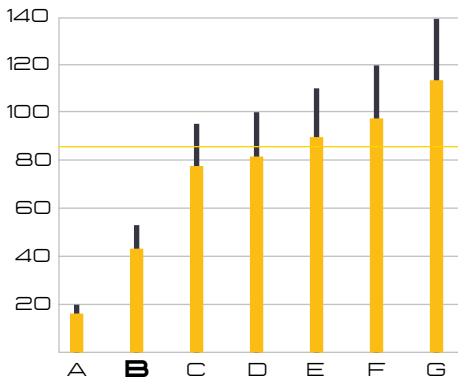
D - Traditional Air Compressor

E - Chainsaw From A Distance Of 3'

F - Pneumatic Chipper In Hand

G - Jet Engine From A Distance Of 100'

OSHA Requirement:
85dBA over 8 hour period



**THE FUTURE
OF COMPRESSED
AIR TECHNOLOGY**





SMARTAIR

EMAX SMART AIR™

Compressed air systems yield up to 90% ENERGY SAVINGS on start up!



10% of all electric consumption in the U.S. by businesses is generated from compressed air systems & 70% of all manufacturing facilities in the U.S. have some form of compressed air system! Over 50% of all plant air systems harbor opportunities for large energy savings.

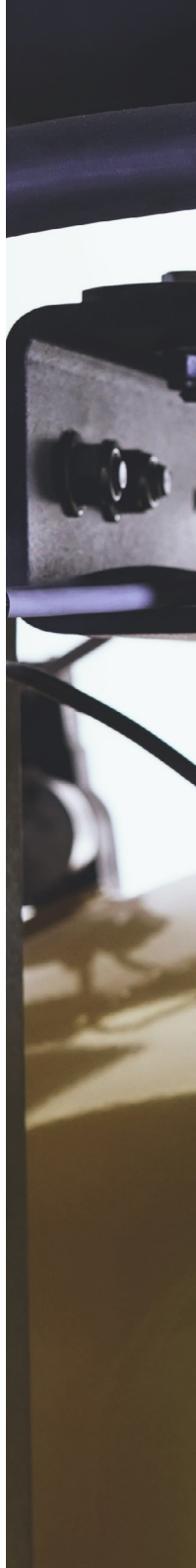
- U.S. Department of Energy
**Note These statistics do not include non-manufacturing businesses*

COMPRESSED AIR CHALLENGE

Federal Government Initiative: The Department of Energy has implemented a “Compressed Air Challenge” initiative to all Energy companies to replace traditional air compressors with higher efficiency compressors to reduce energy consumption, the associated carbon footprint, and demand on the electric energy grid. Consequently, most power companies provide **ENERGY REBATES** associated with installation of EMAX SMART AIR™ technology air compressors.

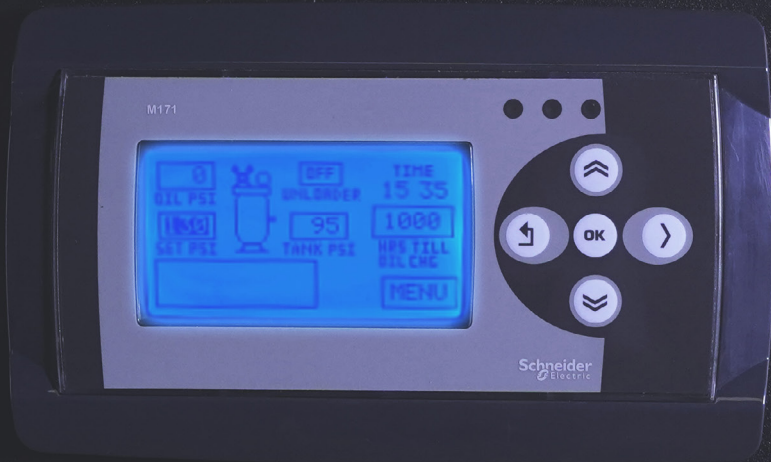
SMART AIR™ RECIPROCATING PISTON TECH VS ALTERNATIVE COMPRESSED AIR TECHNOLOGIES

EMAX SMART AIR™ compressed air systems significantly reduce the high upfront costs associated with common variable speed rotary & scroll compressor options with an estimated 1-3 year payback based on average energy savings and rebates.* SMART AIR™ systems reduce annual maintenance costs associated with rotary and screw compressor air systems up to 300% and are an excellent replacement option for costly rotary compressed air systems.



EMAX
ADVANTAGE





M171

0
OIL PSI
TANK PSI
SET PSI
OFF
95
TANK PSI
TIME 15 35
1000
HRS TILL OIL CHG
MENU

⏪
⏩
OK
⏴
⏵

Schneider
Electric

SMARTAIR

ON DEMAND

SMART AIR™ Compressed air systems eliminate virtually all energy waste by only producing the volume of compressed air required for a specific application. EMAX built-in variable speed electronic drive sensors monitor the air demand and automatically increase or decrease the pump speed and air output, based on actual air demand for all applications. “Soft Starts” at low rpms equal low amp draw thereby reducing energy waste & translating into energy savings up to 90%! while increasing pump and motor life.

BUILT IN SINGLE & 3 PHASE CONVERTER

EMAX VSD Smart Technology empowers businesses to install up to a 25HP air compressor that operates on single phase electric! For businesses that do not have 3-phase power, new SMART AIR™ technology will eliminate the need to install & operate multiple air compressors to meet air demands.

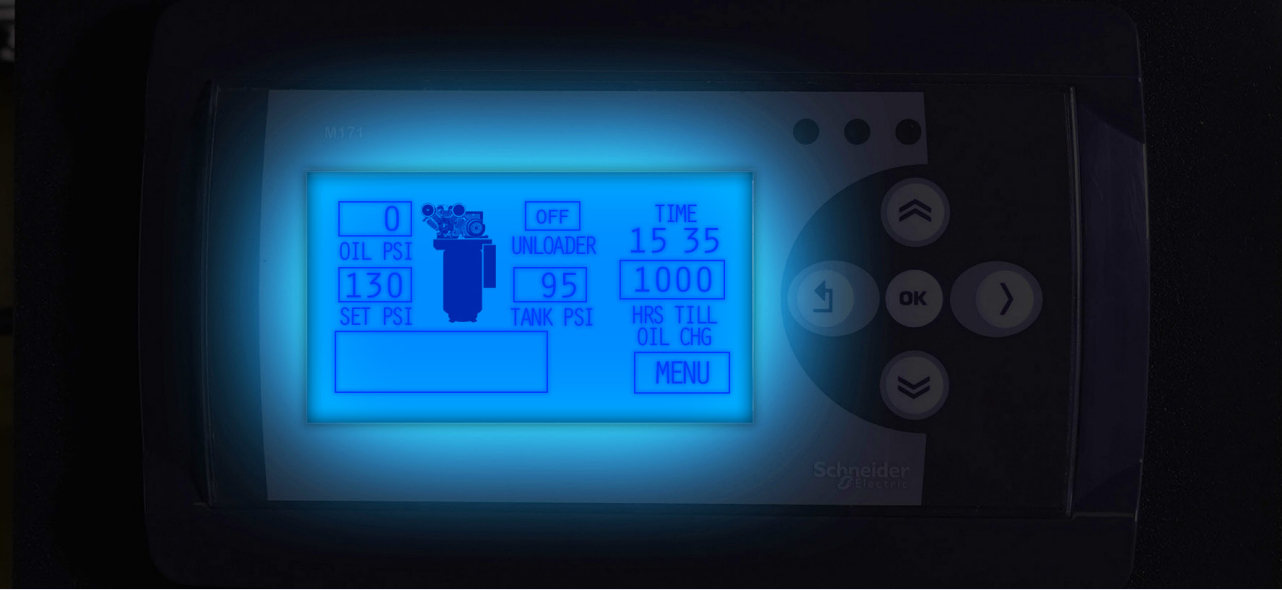
ALL EMAX SMART AIR MODELS AUTOMATICALLY SENSE ELECTRIC INPUT AND OPERATE ON SINGLE OR THREE PHASE ELECTRIC

SILENT AIR™

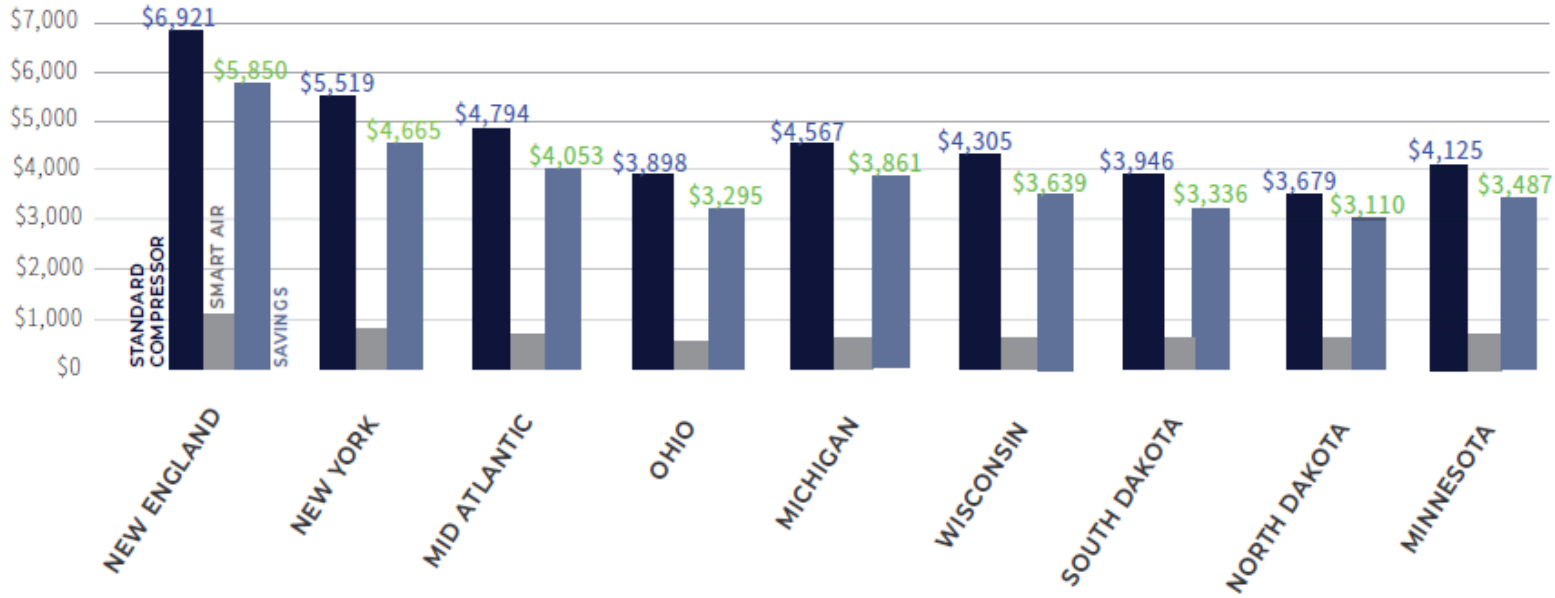
All EMAX SMART AIR™ compressed air systems include a built in EMAX SILENT AIR silencer reducing stationary compressor operating noise by 50%.

PLC

Our Programmable Logic Controller Puts You In Control Of the Smart Air Compressor. The digital PLC enables manual or remote pressure adjustments from 70 PSI to 175 PSI. It includes Hertz display while unit is running & provides programmable timed starts and stops for each day of the week. It also displays maintenance alarms, indicating when it's time to provide service or change filters and oil. Alarms include; low oil shutdown, motor overload shutdown, high voltage or low voltage shutdown and loss of phase shutdown. Digitally displays kW energy savings while unit is running. Variable Speed Saves You Money In Operating expense. Wi-Fi and ethernet enabled for monitoring and controlling dozens of functions enabling users to CUSTOMIZE operating settings 7x24x365 using a mobile phone, laptop, or other smart device.



**AVERAGE ANNUAL ELECTRIC OPERATING EXPENSE & POTENTIAL SAVINGS
10HP STANDARD 1PH RECIP COMPRESSOR VS EMAX 10HP "SMART AIR" VFD TECHNOLOGY**





HYDRO



WATER COOLED

Our all new **HYDRO** Water Cooled Piston Compressor takes the industry to the next level. Why, you ask? We introduce to you our E850 Piston Compressor with a **100% Duty Cycle**. Go up to **25 HP** with **Single** and **3 Phase**. Our water cooled pump design allows for water to reach every crevice of the head to absorb the heat. With a combination of antifreeze and water, you can even set this compressor outdoors and feel safe knowing you will not have to worry about pump or head damage.

**ENGINEERED TO RUN
24x7x365 NON STOP**

.....
**The FIRST PISTON COMPRESSOR
ENGINEERED FOR 100%
CONTINUOUS DUTY CYCLE
APPLICATIONS**
.....

ENGINEERED TO RUN **24 | 7 | 365**



**EMAX
ADVANTAGE**



100% DUTY CYCLE

ALL GEN2 EMAX SMART AIR™ compressed air systems feature our HYDRO water cooled pump technology, empowering customers to operate indiscriminately on Single or 3 Phase electric. The first reciprocating (piston) compressor engineered to operate 7x24x365 days a year continuously.

COLD ENVIRONMENTS

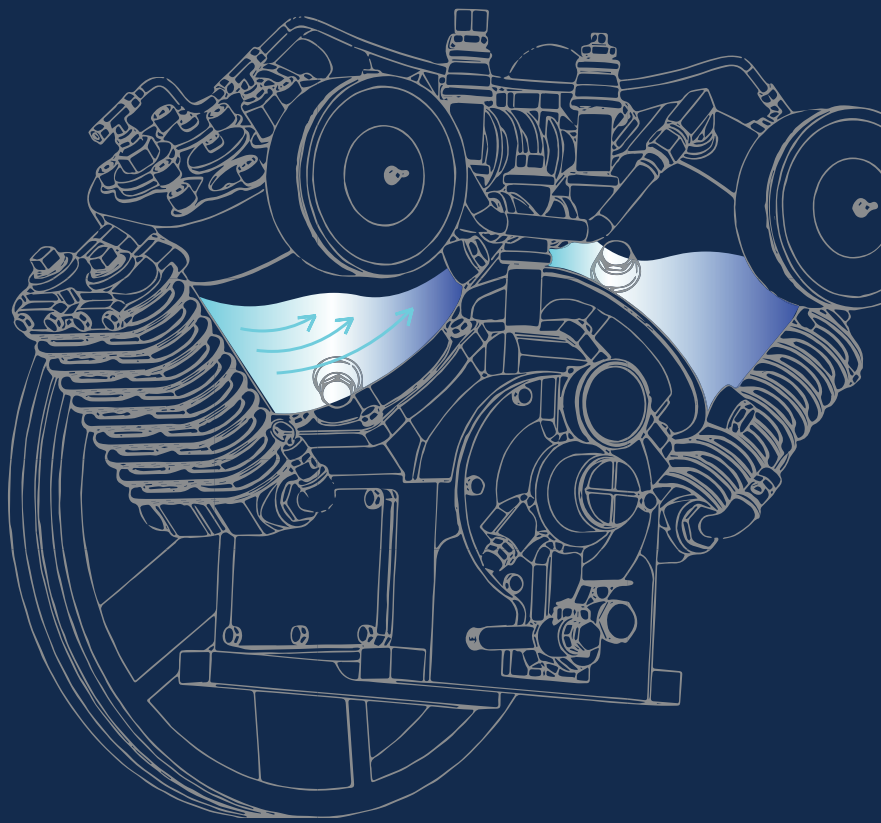
The HYDRO water cooled pump design allows for water to reach every crevasse of the pump head assembly to absorb the heat. With a combination of antifreeze and water, the HYDRO Compressor in an outdoor shelter without concerns for pump or head damage in a cold operating environment.

NOISE REDUCTION

EMAX SILENT AIR™ Technology (standard equipped with the HYDRO series) takes sound reduction to an all time low. How? Water circulating in the new HYDRO Water cooled pump acts a noise barrier within the pump reducing operating noise an additional 20%! This is the newest generation of our patented SILENT AIR pump technology & the quietest EMAX Piston Compressor produced in the past 50 Years.

AFTER COOLER

HYDRO compressed air systems are also equipped with After Coolers using a Split Bar Radiator. The radiator's dual function reduces the pump water temperature & assists in cooling the air coming out of the pump. The air produced from the pump is within 5 degrees of the surrounding air temperature. With this radiator combination, moisture is also reduced by 50%, even without a dryer. The life cycle of a HYDRO unit is 80,000 hours with recommended regular maintenance at every 1000 hours. The new EMAX HYDRO series, boasts all of the features and benefits of a Rotary Screw compressor with up to 70% lower maintenance & service time at a fraction of the cost plus up to 90% start up Energy Savings!



TEK
04

MAINTENANCE // PERFORMANCE SYSTEMS

FEATURES & BENEFITS

FOR PISTON COMPRESSORS

SILENT AIR™

The quietest piston belt driven compressors on earth.

SMART AIR™

Programmable Variable Frequency Drive Up to 90% greater energy efficiency and \$avings with the ability to operate on single or three phase electric up to 25HP!

HYDRO

True 100% duty rating for continuous operation 24/7/365.

16

EMAX
ADVANTAGE

TEKFORWARD ▶

GAS ADVANTAGE

The only HONDA driven 13-24HP EPA Certified gas tanks for stationary truck mount gas driven compressors in the U.S

COOL-TEK™

Base plate pump risers produce the coolest running compressors in the industry 35% lower operating temperature reduces moisture build up & extends life

ELECTRONIC AUTO TANK DRAIN

Dual timer system eliminates manual water drain maintenance reducing daily moisture build up for extended tank, tool, and equipment life automatically

SINGLE PHASE TECHNOLOGY

Single phase SMART AIR models up to 25HP available in multiple tank sizes and configurations

QUICK TURN

Patented Belt Tensioning system for EMAX Dual Belt Drive systems (eliminates the need to loosen motor mounts and insures precision alignment for maximum performance, belt life and reduced vibration)

LOW RPM PUMPS & MOTORS

Pressure lubricated pumps engineered to operate a speeds ranging from 250 - 900 RPM in combination with 4 pole 1750 low rpm motors, Three Phase motors available on most models . Single Phase motors models up to 10HP! Continuous Run feature for extended life for (available on select models) maximum performance, belt life and reduced vibration

RAM-TEK™

Solid Steel, heavy gauge rifle bored* rods & pump heads feature industrial disc valves for maximum performance & durability

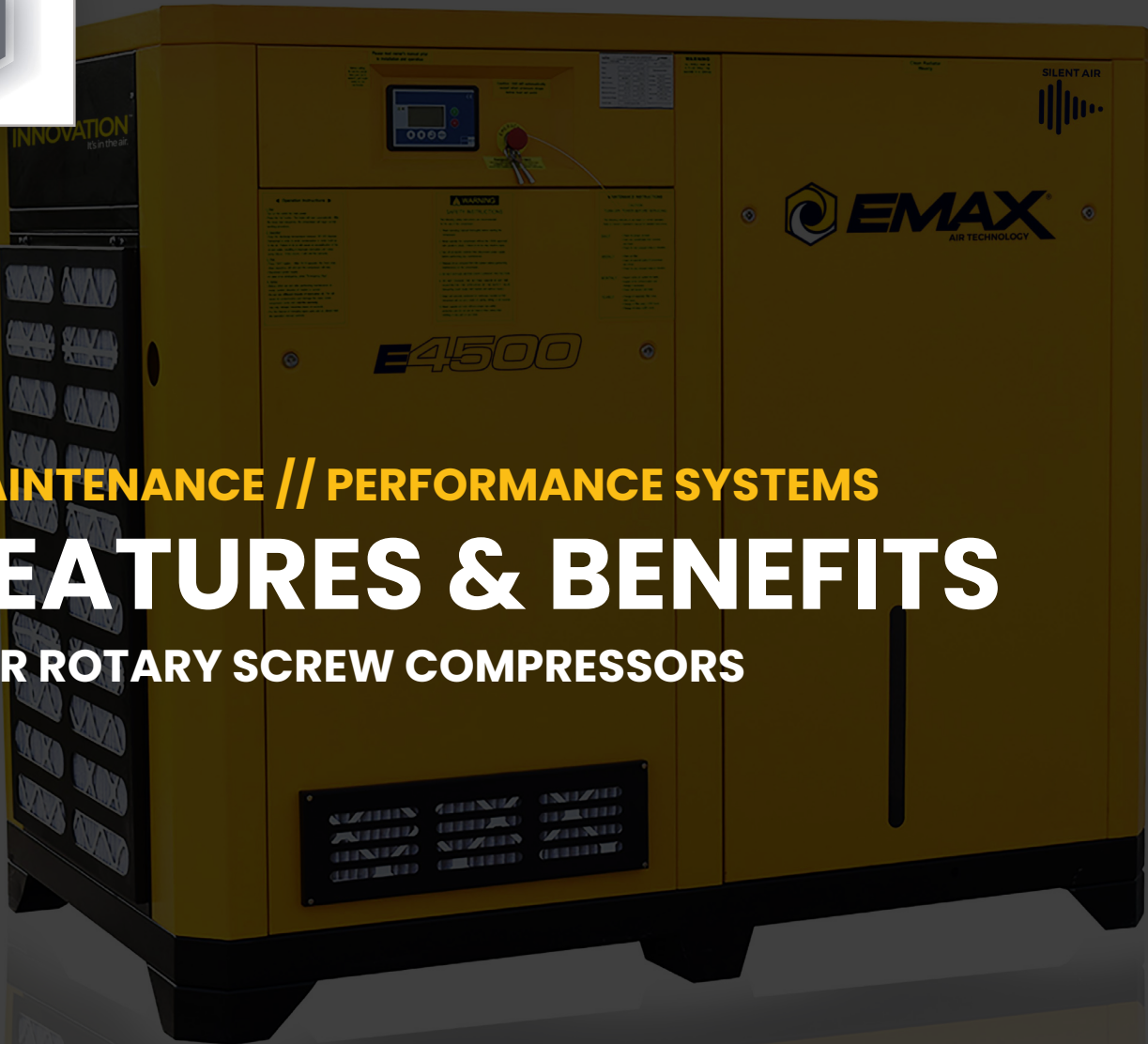
AIR STREAM TECHNOLOGY™

Innovative heavy cast iron hi-flow kinetic flywheel construction design combined with a raised pump platform produces maximum cooling, reduced vibration, and improved efficiency

SOLID STEEL BELT GUARDS

Engineered for high structural integrity, durability and low vibration for maximum safety

TEK
04



MAINTENANCE // PERFORMANCE SYSTEMS

FEATURES & BENEFITS

FOR ROTARY SCREW COMPRESSORS

PLC SYSTEM

Maintenance Intelligence Controller monitors oil life plus oil & air filter status. Also indicates when to replace air/oil separator & motor bearing lubricant.

ENGINEERING BREAKTHROUGH

Industry first single-phase models available up to 30HP!!

DRIVE TEK™

All units are set up for Hi efficiency variable speed drive motor systems for 33% lower energy costs and % longer life vs. 1 or 2 speed models

VARIABLE SPEED DRIVE

Platform and Electric Box included on all units so VSD system can be installed at a later date

INDUSTRIAL MOTORS

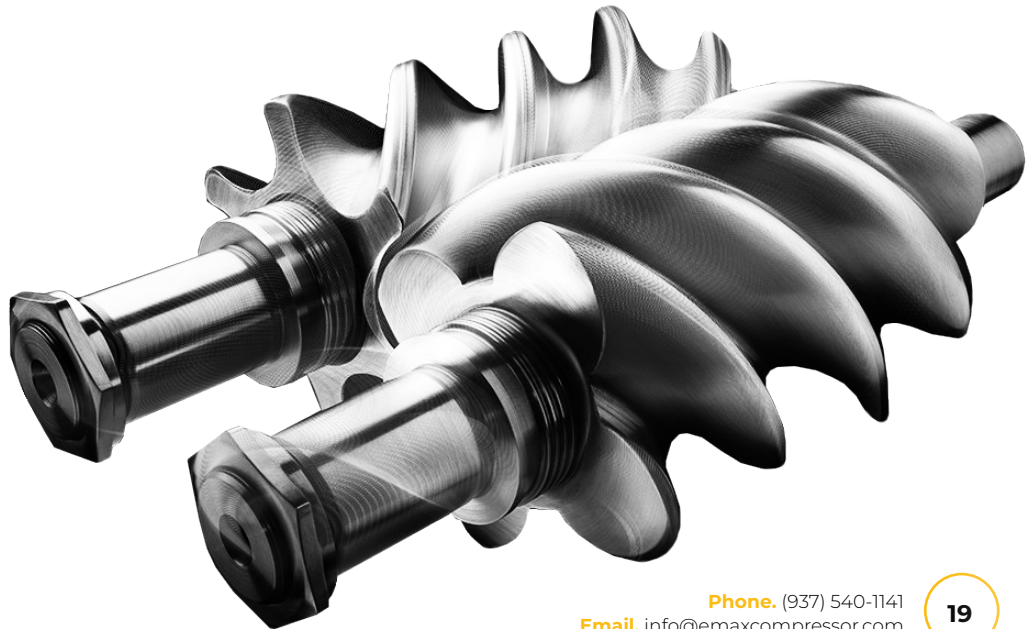
4 pole 1750 rpm, 1.1 Service Factor high efficiency designs

STANDARD Y/DRIVE SOFT START MOTOR

Reduced energy demand and amp draw on start up

PRECISION ENGINEERED ROTARY AIR END

Low RPM Design for Maximum Reliability & Performance



THE EMAX ADVANTAGE

Built in the USA in Dayton OH since 1977
Division of the original EATON COMPRESSOR
INDUSTRIES

SUPERIOR QUALITY & VALUE

EMAX PISTON SERIES

	VALUE
+ Patented SILENT AIR SYSTEM™	\$500.00
+ Lifetime extended pump warranty; competition offers a two-year warranty and sells extended warranties up to 3 years	\$700.00
+ Automatic tank drain system (on select models)	\$180.00
+ Continuous run feature (on select models) with EMAX.	\$200.00
+ Pressure Lubricated Pump with spin on filter	\$300
+ Quick Turn belt tension system.	\$70.00
+ Ring base tank design	\$125.00
+ Solid Oak Heavy Duty 100# pallet	\$75.00
Value Add Total For These Features = \$2150.00	

EMAX ROTARY SCREW SERIES

	VALUE
+ Variable speed drive compliance standard with EMAX.	\$1200.00
+ Spring loaded belt tension system, standard.	\$200.00
+ Low RPM Industrial Grade Motors with a 1.1 service factor.	\$100.00
+ Dual voltage capability, standard	\$200.00
Value Add Total For These Features = \$1700.00	

Industrial Grade Quality: backed by a (industrial + Series) and LIFETIME Pump Warranty on Pressure Lubricated Reciprocating pumps plus ALL Air Tools.



Tel. (937) 540-1141
Email. info@emaxcompressor.com
Web. www.emaxcompressor.com