



ASSEMBLY INSTRUCTION

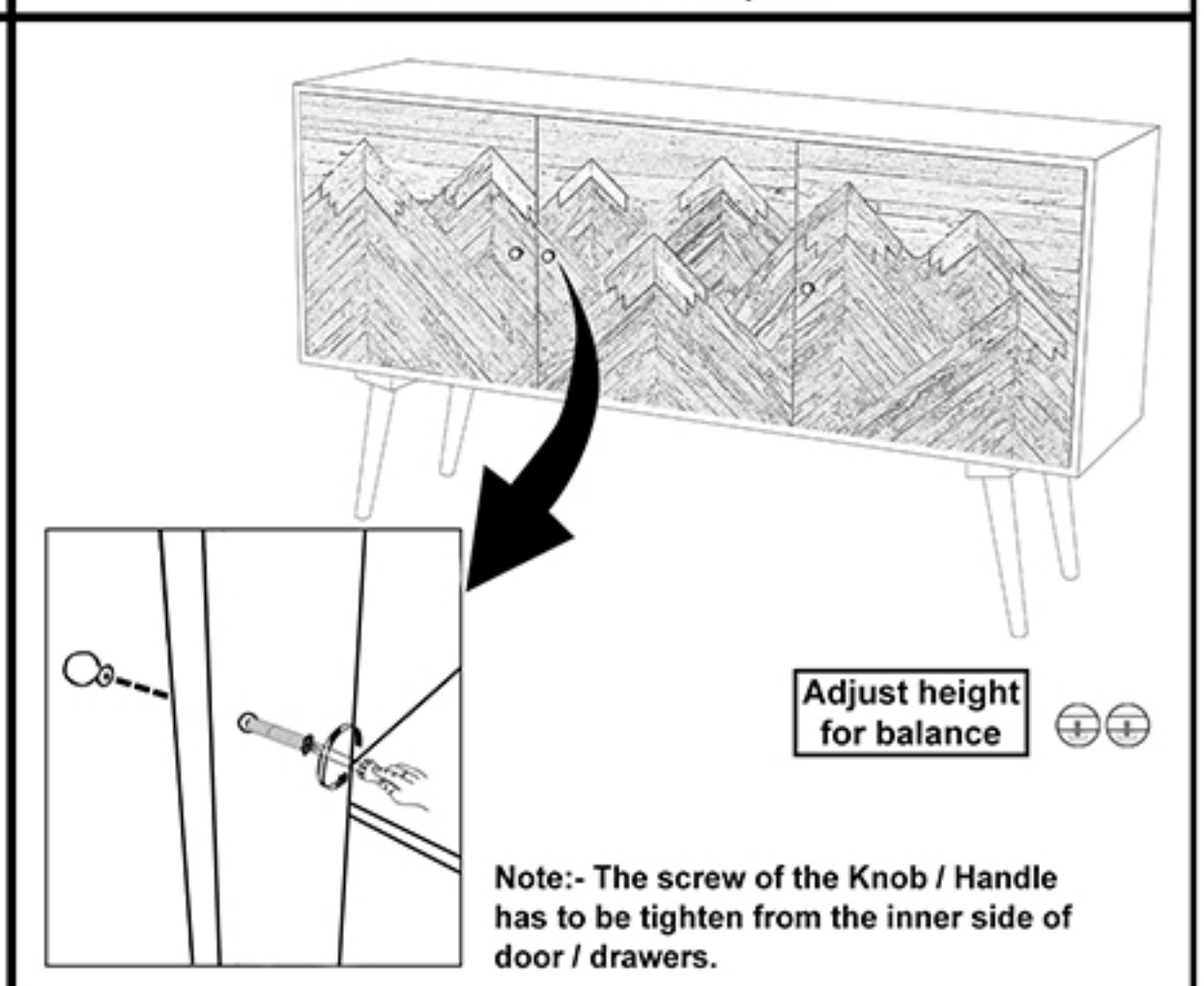
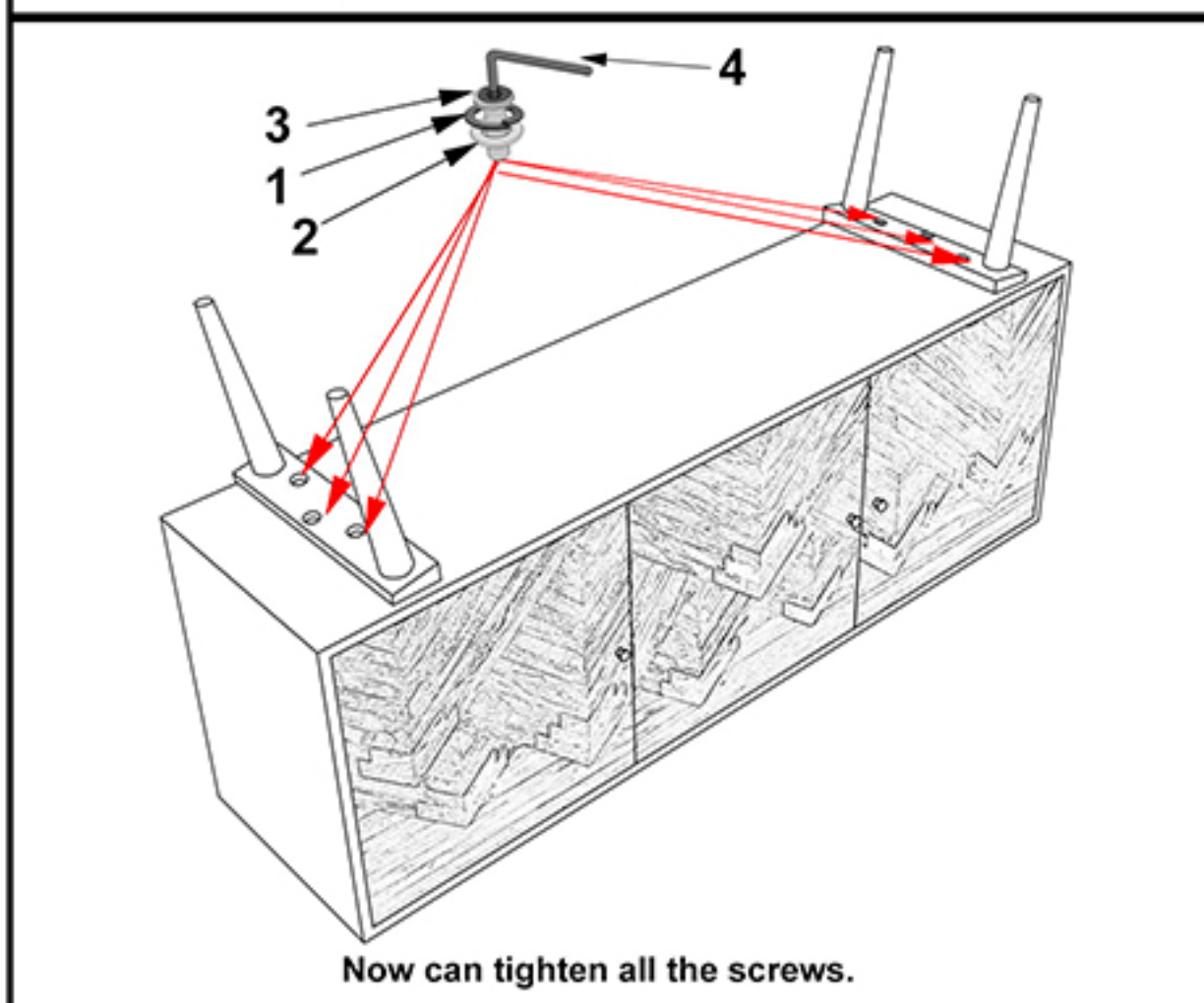
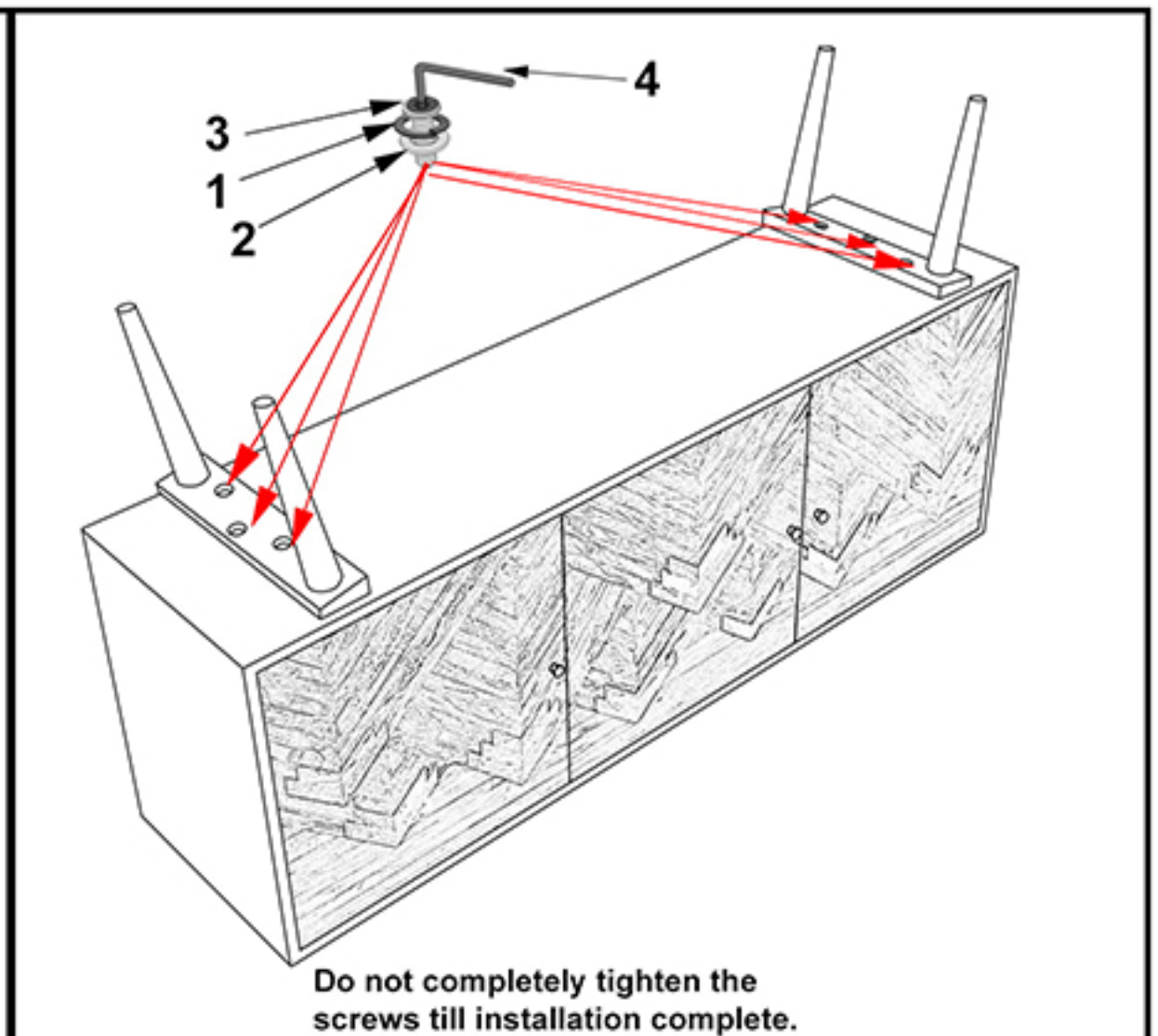
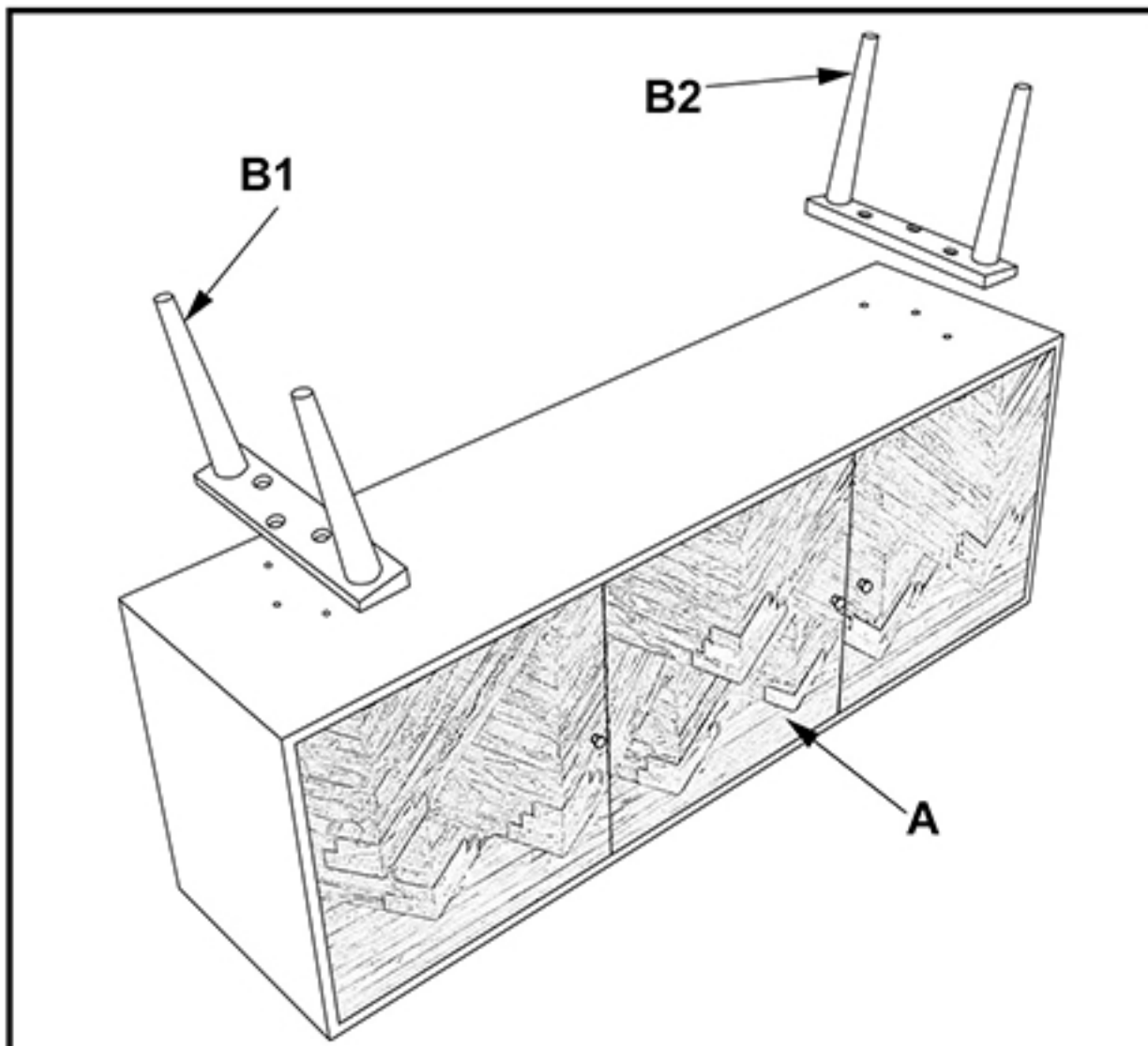
CVFNR4557

PARTS

S.No.	DESCRIPTION	QNT
A	 WOODEN CASE	1
B	 WOODEN LEG B1/B2	2

HARDWARE

S.No.	DESCRIPTION	QNT
1	 SPRING WASHER	6
2	 WASHER	6
3	 ALLEN SCREW 8X20MM	6
4	 ALLEN KEY	1



MADE IN INDIA