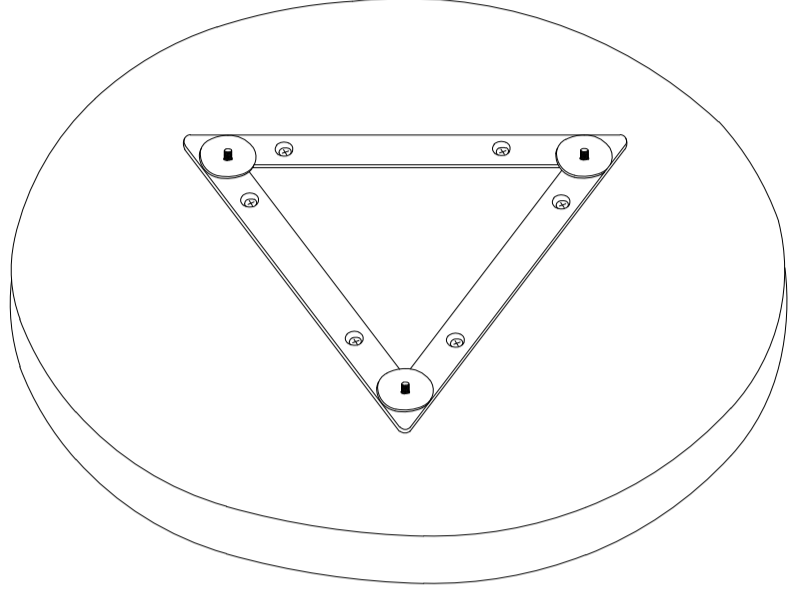
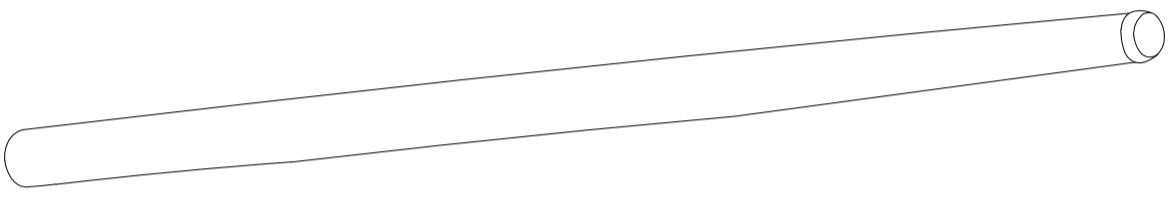


ASSEMBLY INSTRUCTIONS

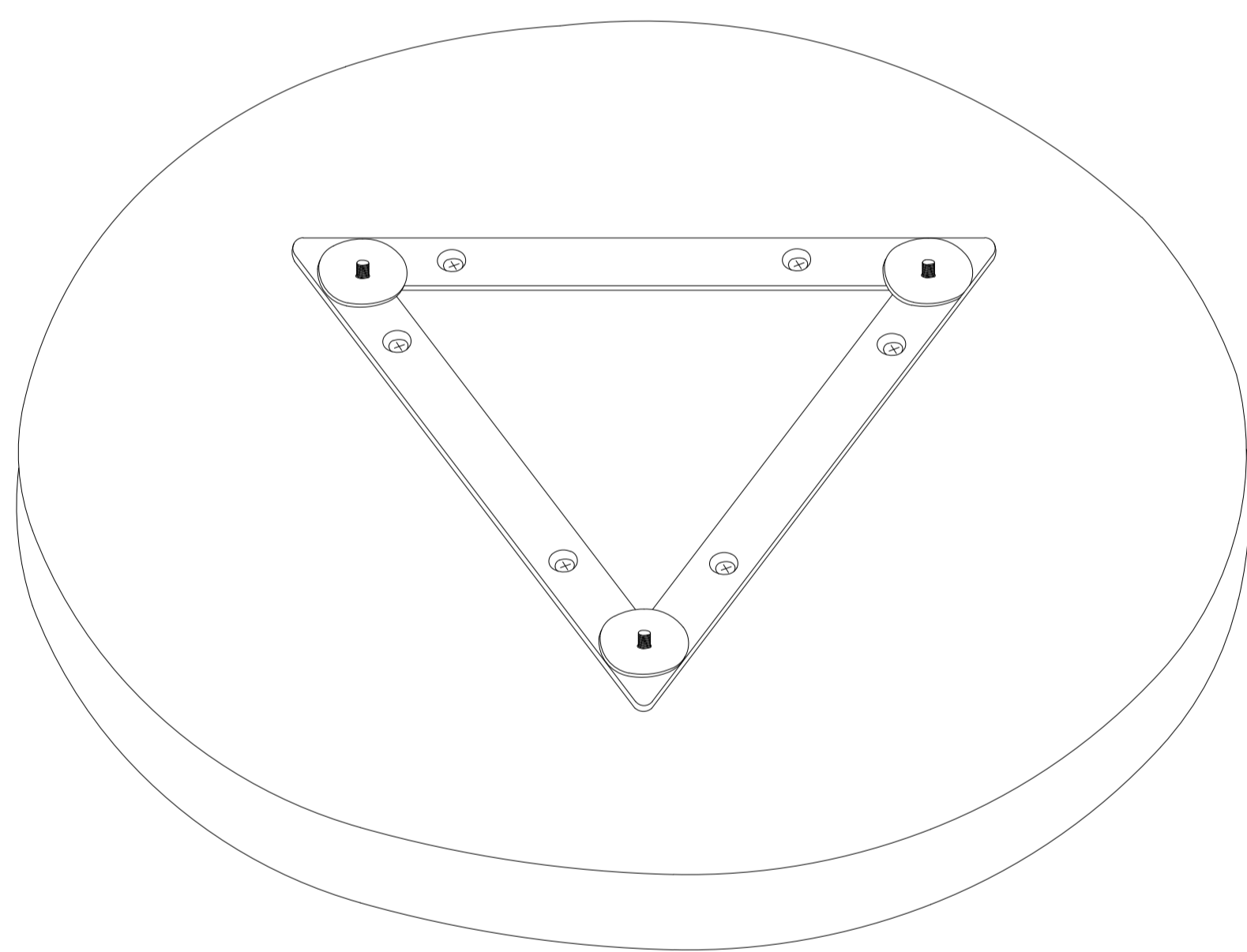
CVFNR 916

PARTS

S.NO.	DESCRIPTION	QTY.
E		1 PC
F		3 PCS LEG F1/F2/F3

STEP-1

E

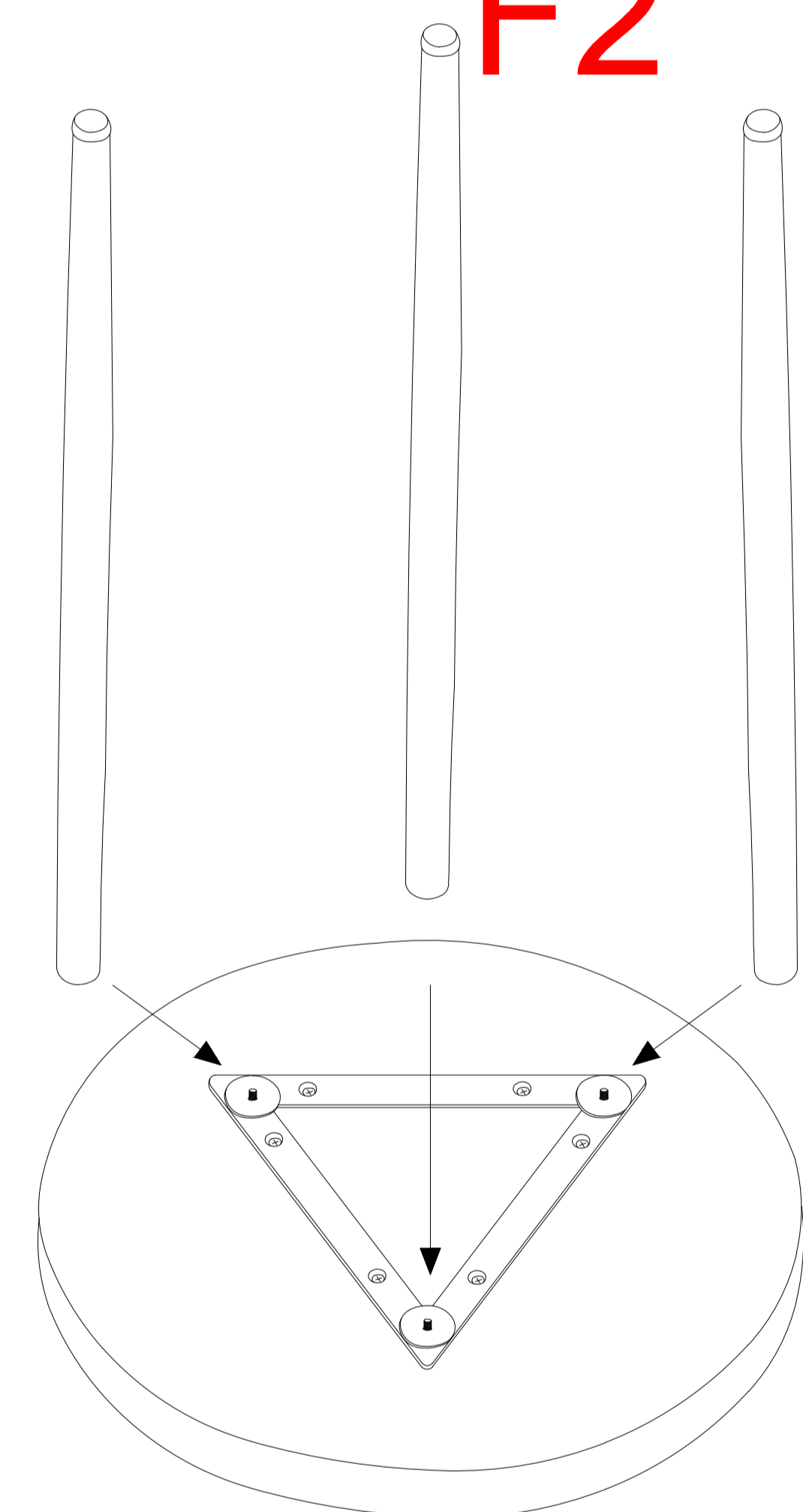


STEP-2

F1

F2

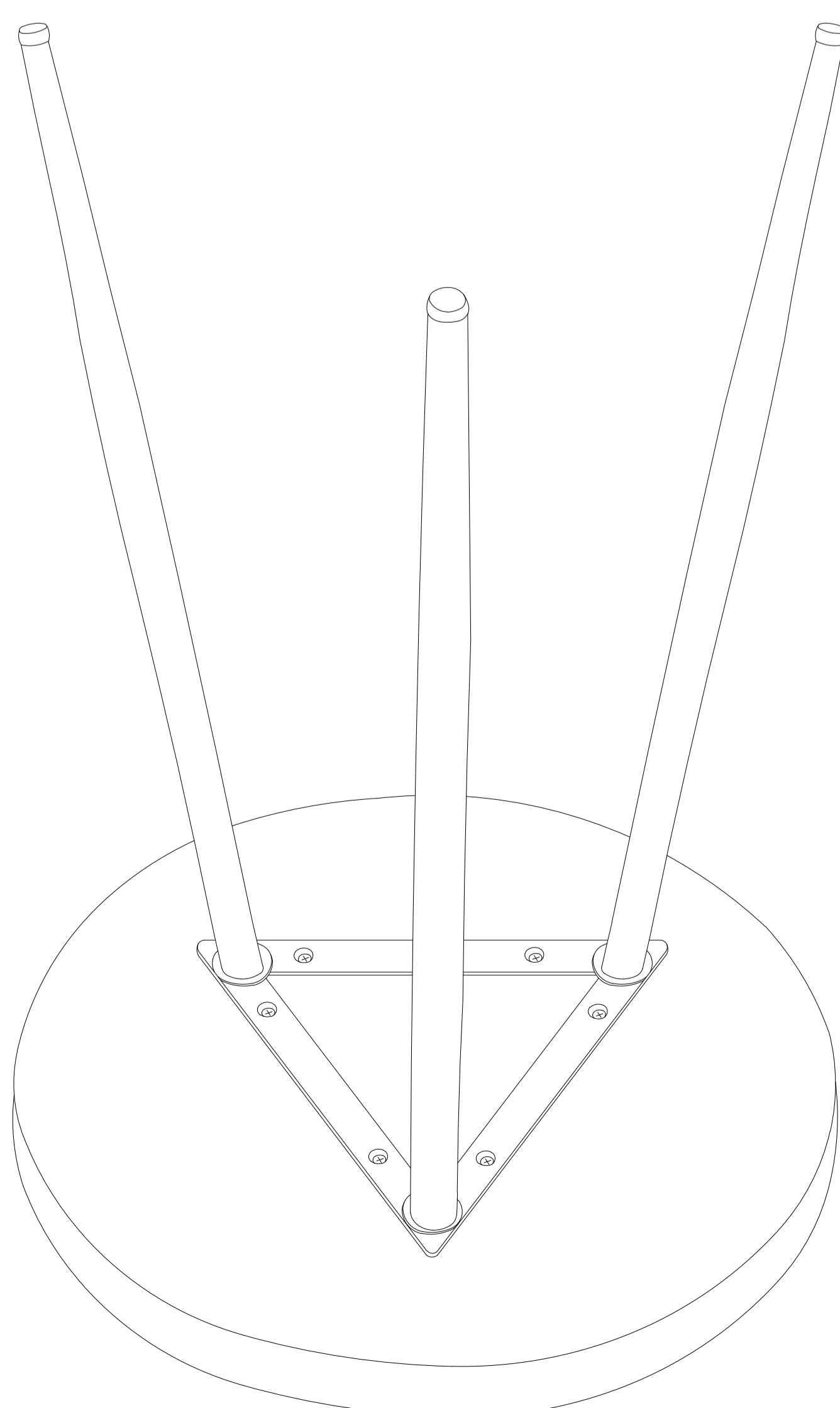
F3



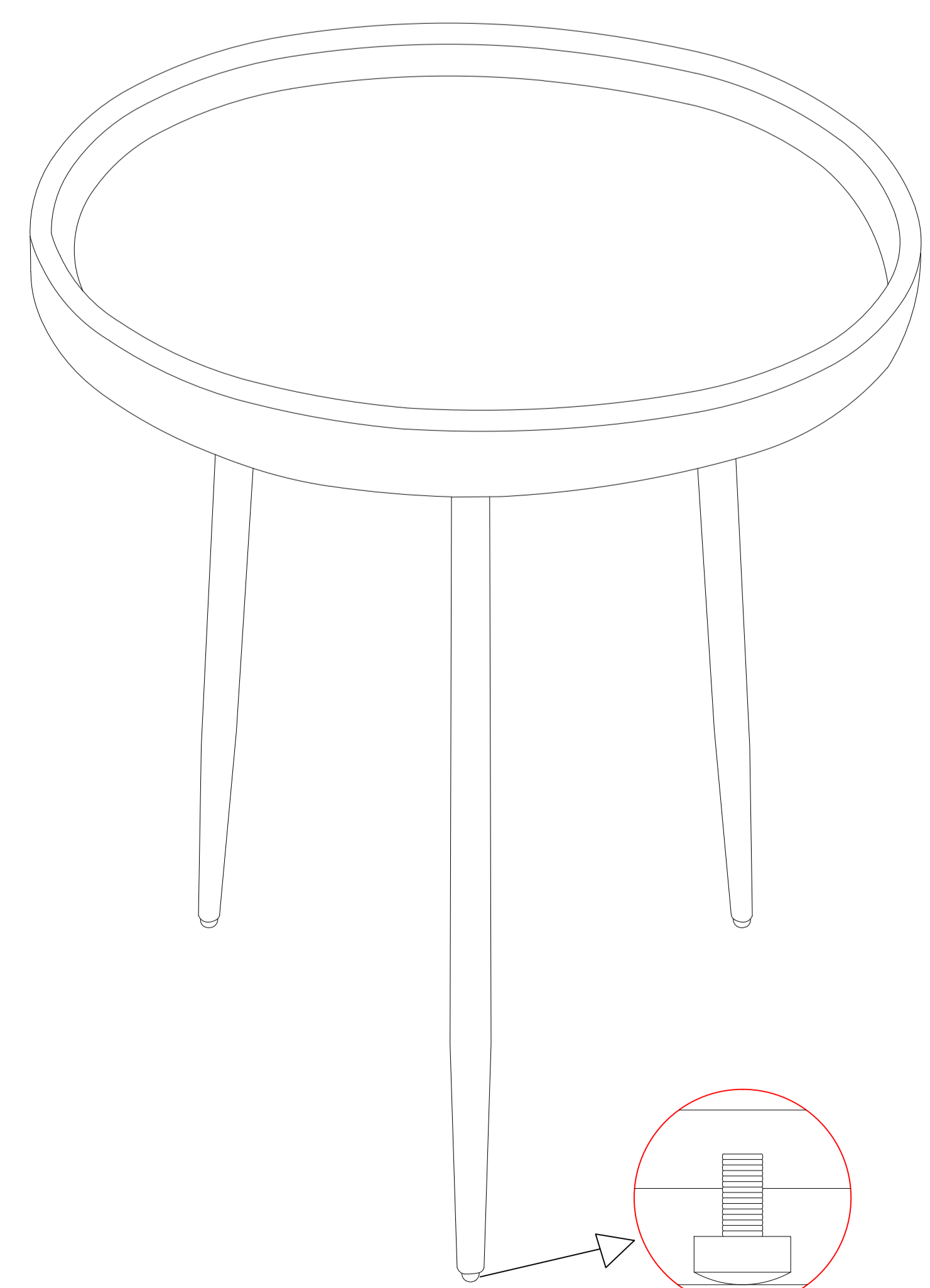
Note: Twist all legs until tightly

E

STEP-3



STEP-4



Note: Levellers are provided at bottom to balance the product on uneven surface.