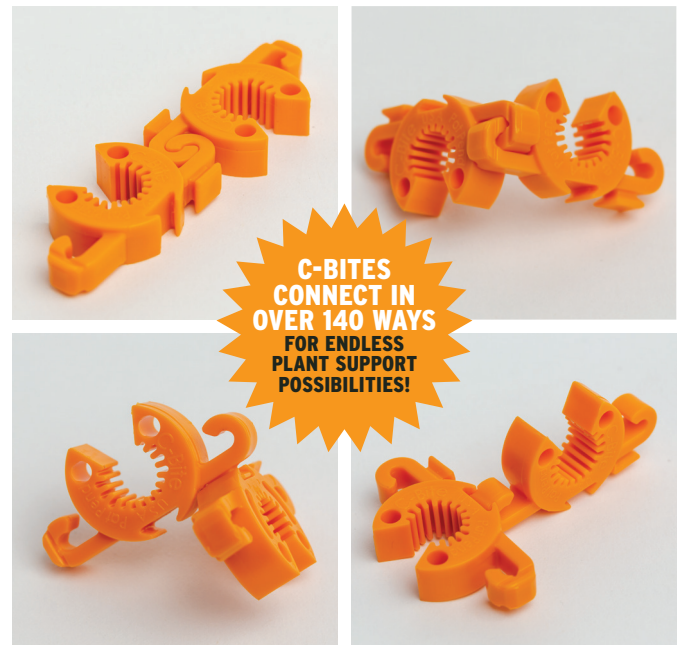
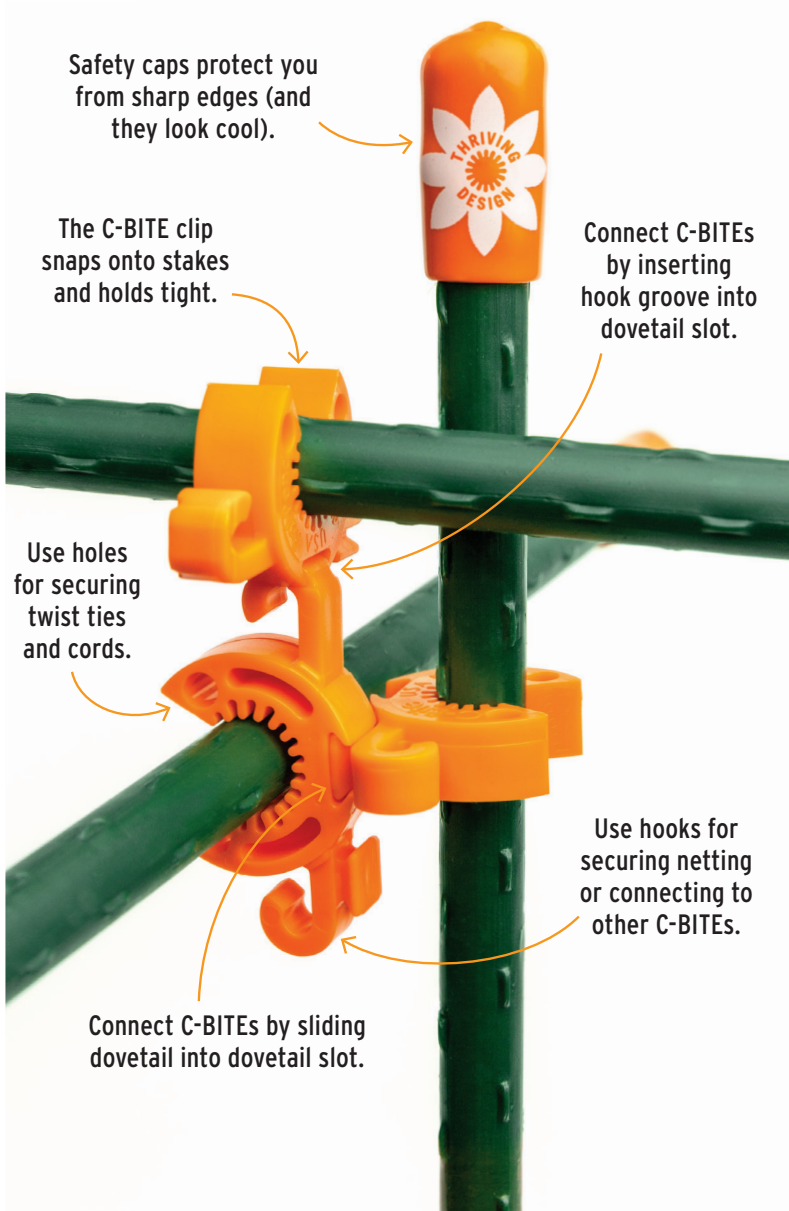
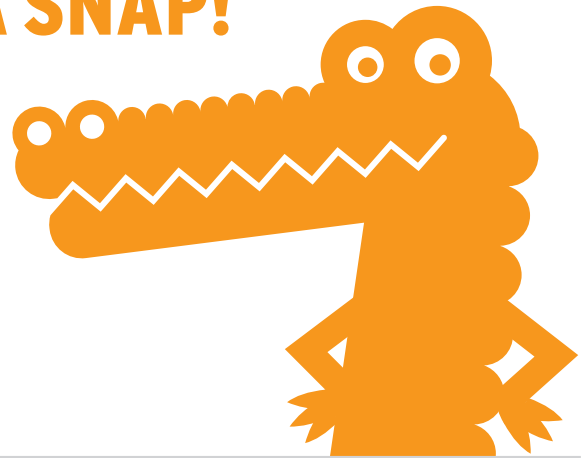
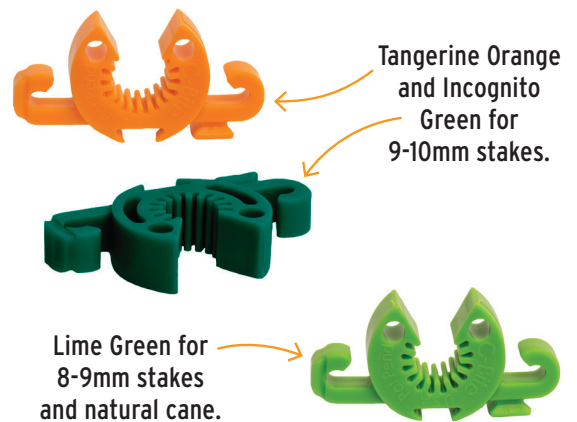




VERSATILE, STURDY GARDEN SUPPORTS IN A SNAP!

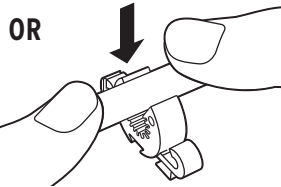
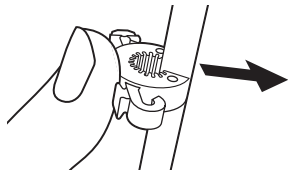


COLOR AND SIZE OPTIONS

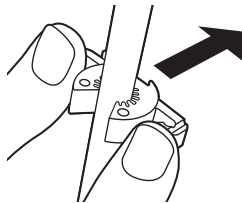


HOW TO USE C-BITES

ATTACHING C-BITES TO STAKE

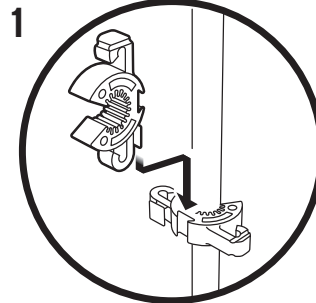


REMOVING C-BITES FROM STAKE

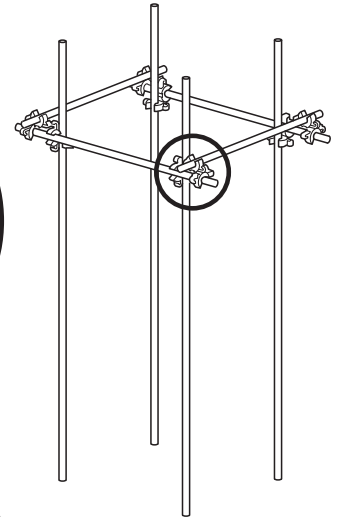
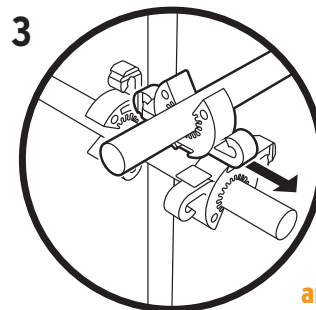
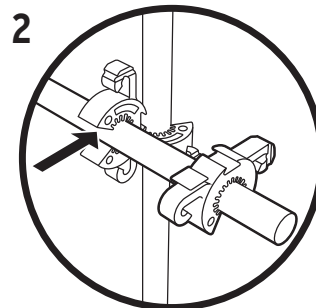


C-BITES can connect to each other in dozens of ways. They're also durable and reusable.

BUILDING A CAGE



The dovetail slot should be empty for snapping C-BITE to stake. Always snap C-BITE to stake before you connect another C-BITE to the dovetail slot.



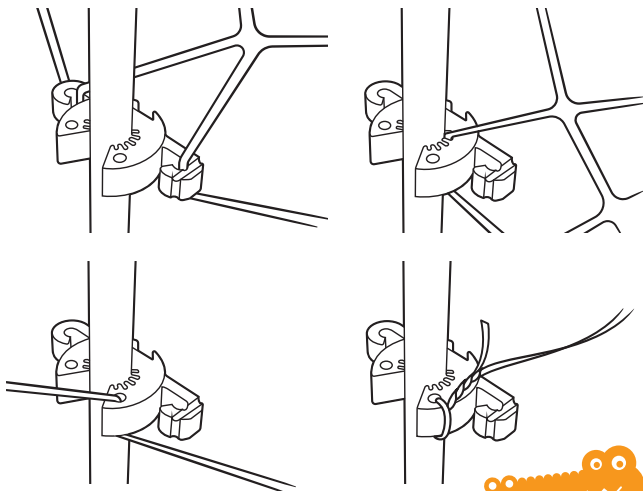
Attach all contact points and then adjust to straighten.

It's easy to expand and raise the cross members to accommodate growth. Simply push on both hooks in the direction you want to adjust!

Remove tight C-BITE connections by "walking" the parts back and forth. Forcing them could cause injury.



SECURING NETTING, TWIST TIES OR CORDS



Use the holes and hooks as adjustable plant tie anchors.

The hooks are slightly different sizes and are also very grabby. Use them on bamboo, parachute or nylon cord, hog wire and fencing.



Safety first! Supervise and encourage C-BITE play of children ages 3 to 8. Wear hand and eye protection when working with metal stakes.

VISIT [THRIVINGDESIGN.COM](https://thrivingdesign.com) FOR TIPS AND VIDEOS AND DISCOVER MORE WAYS TO USE C-BITES.



THRIVING DESIGN
503.726.6376
OHSNAP@THRIVINGDESIGN.COM
THRIVINGDESIGN.COM

Follow [#thrivingdesign](https://twitter.com/thrivingdesign) and share your own C-BITE pics.

