



# Hamster Haven 3-Story Walk-Up Home PARTS

Instructions online at [www.prevuepet.com](http://www.prevuepet.com)

## CUSTOMER SUPPORT

Please contact Prevue Pet Products:

**PHONE** 1 (312) 243-3624

**ONLINE** [www.prevuepet.com](http://www.prevuepet.com)

**EMAIL** [customerservice@prevuepet.com](mailto:customerservice@prevuepet.com)

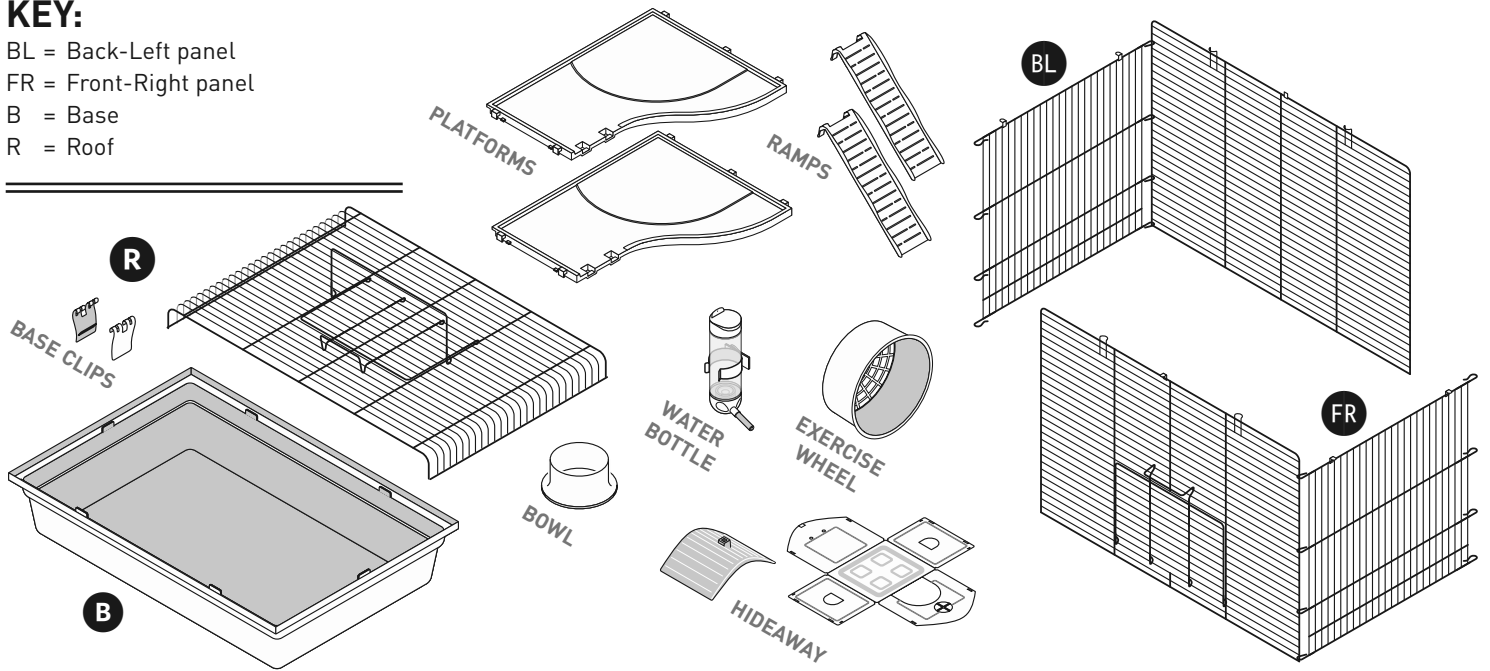
### KEY:

BL = Back-Left panel

FR = Front-Right panel

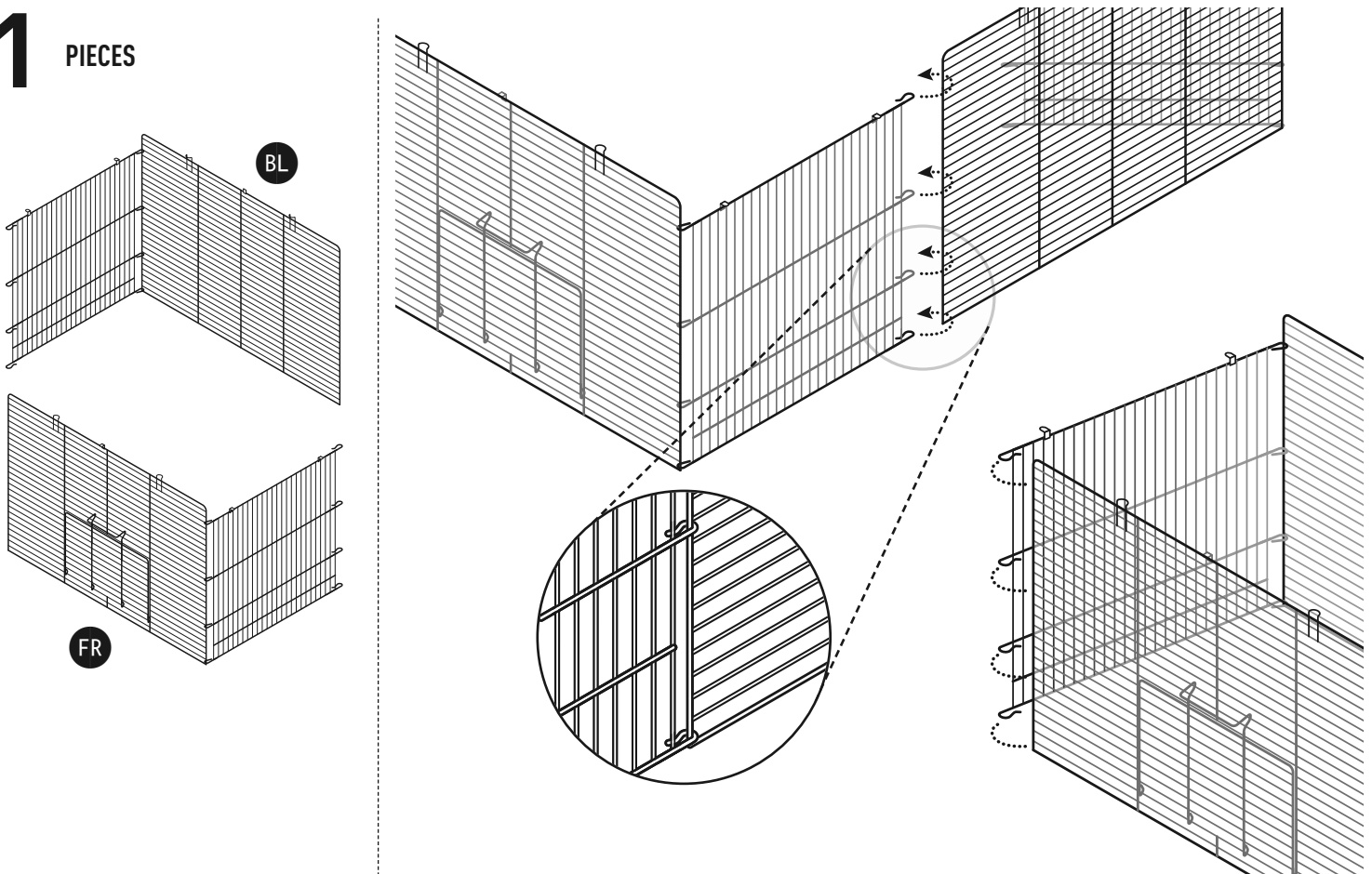
B = Base

R = Roof

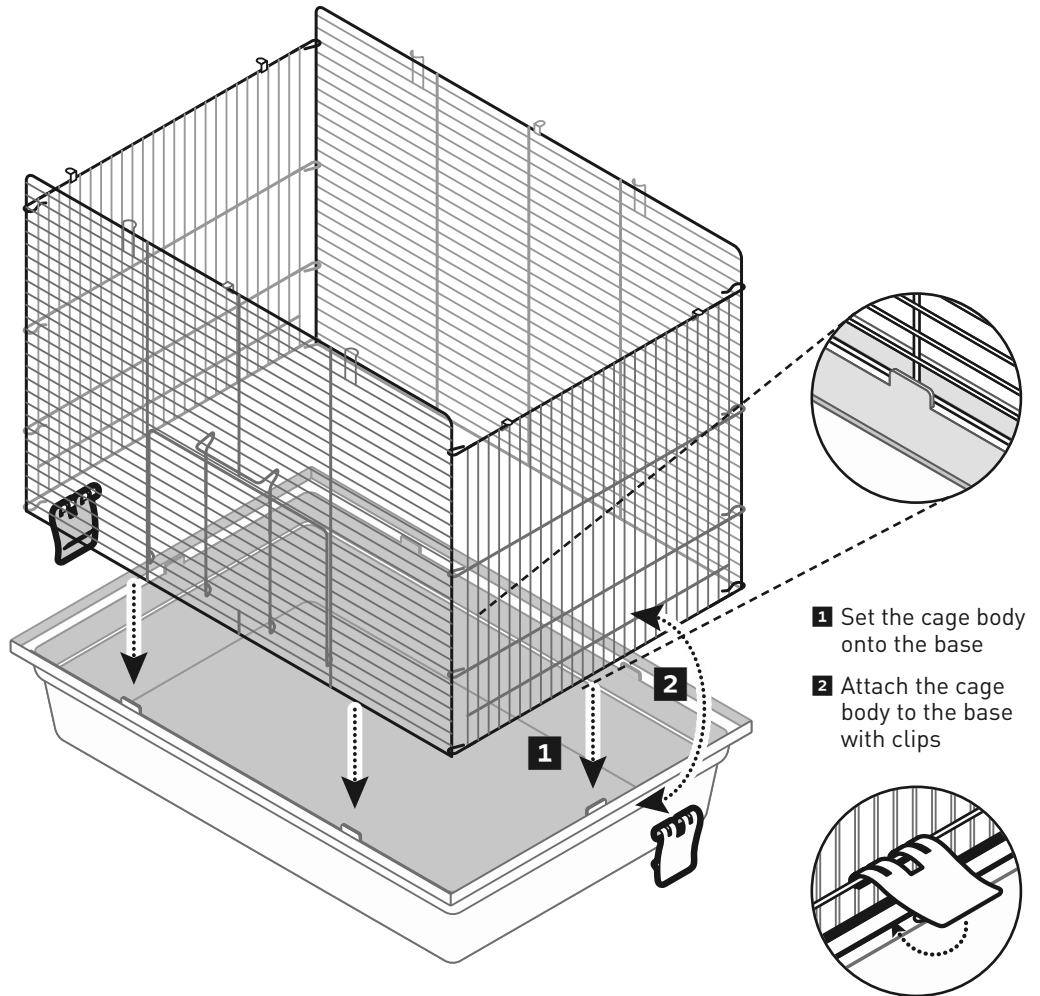
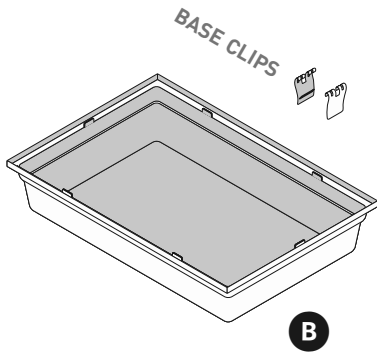


# ASSEMBLY

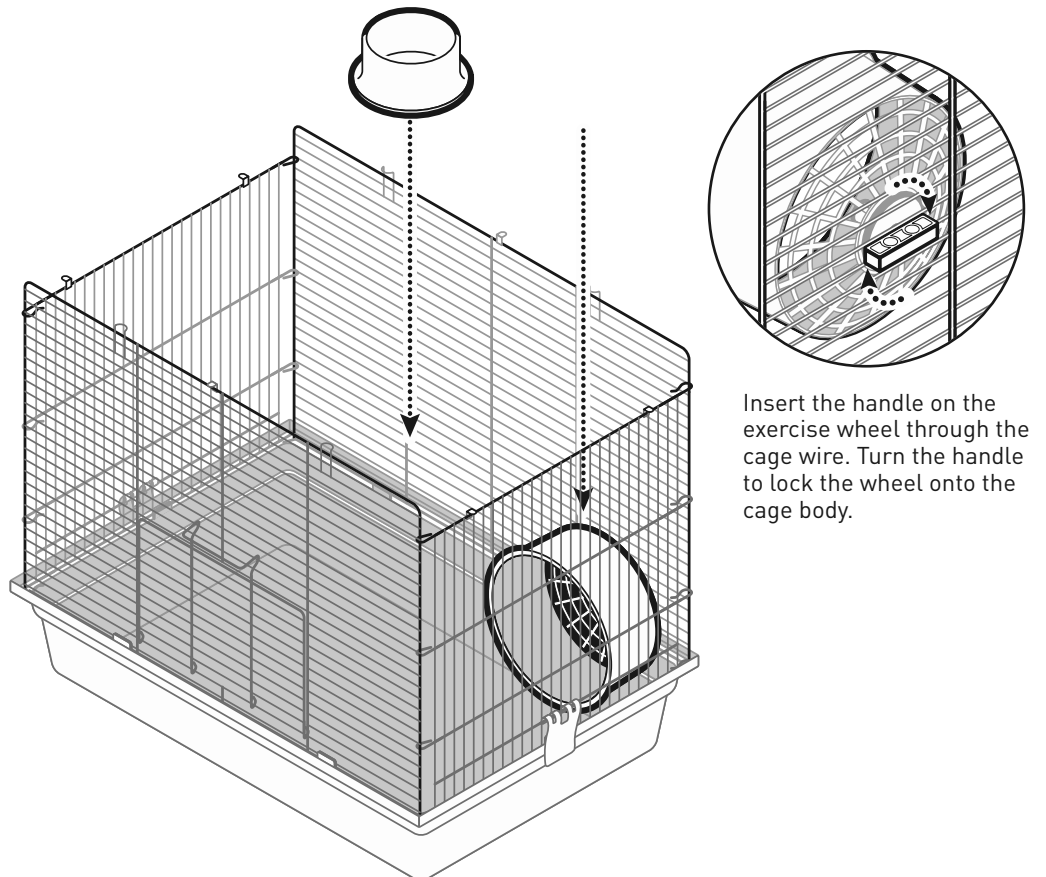
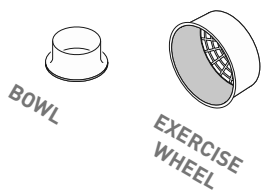
## 1 PIECES



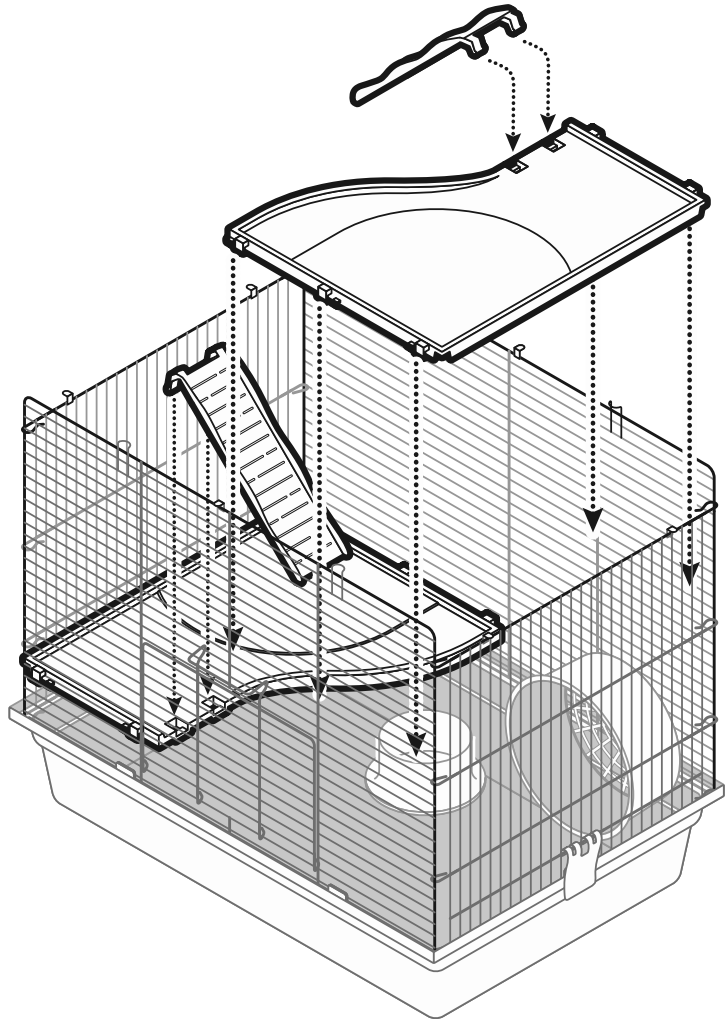
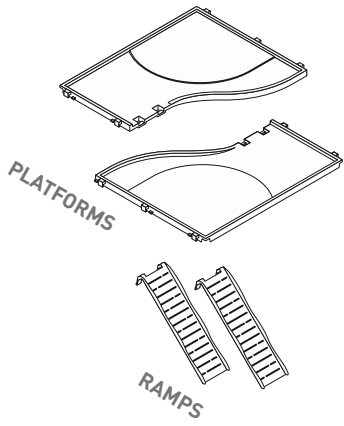
# 2 PIECES



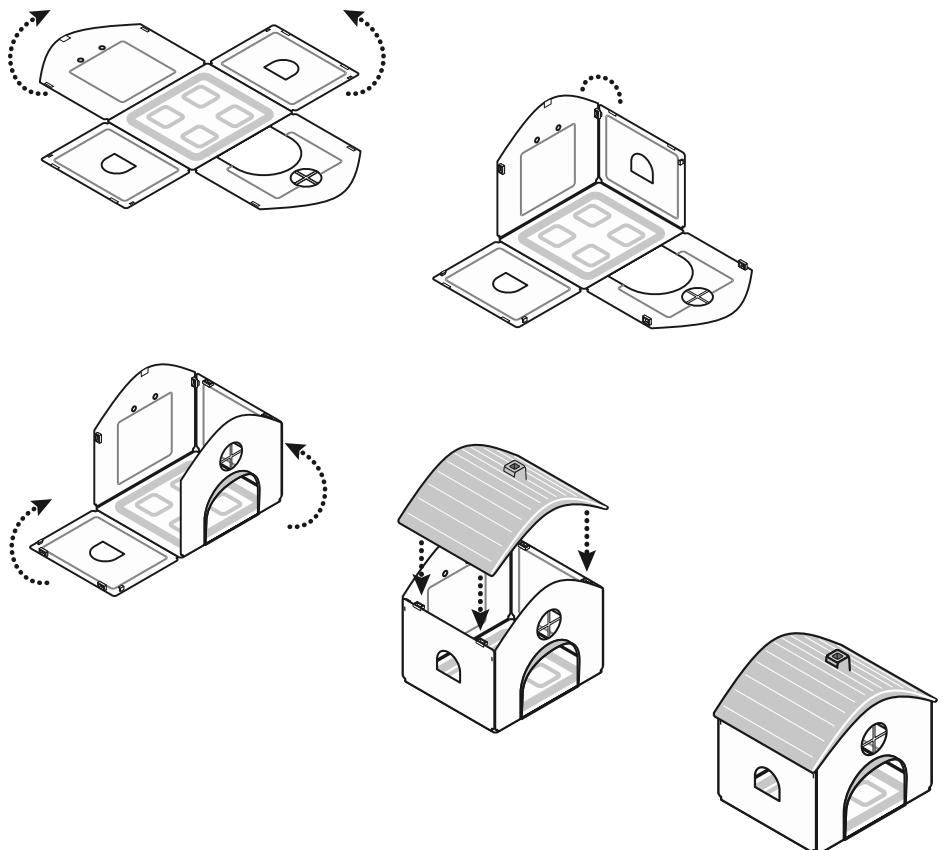
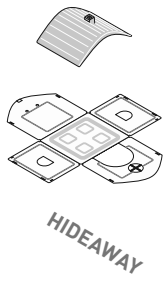
# 3 PIECES



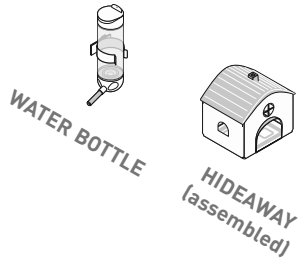
# 4 PIECES



# 5 PIECES

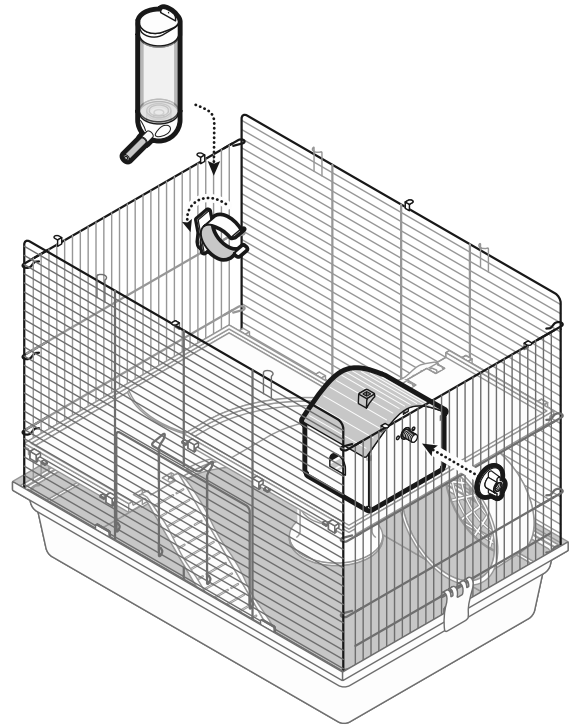


# 5 ...continued

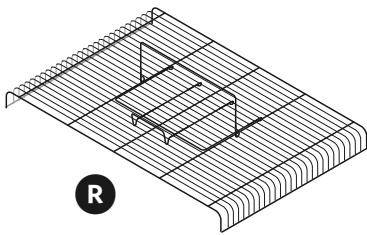


Add water bottle holder first, then insert the water bottle.

Add the assembled hideaway by inserting the screw post through the wires and attaching the wing nut from the cage exterior.



# 6 PIECES



Catch roof ends under tabs along the side panels.

Across the front and back seams, catch the roof under the wire loops. Pull the roof wire over the solid tabs until they are also underneath the tabs.

