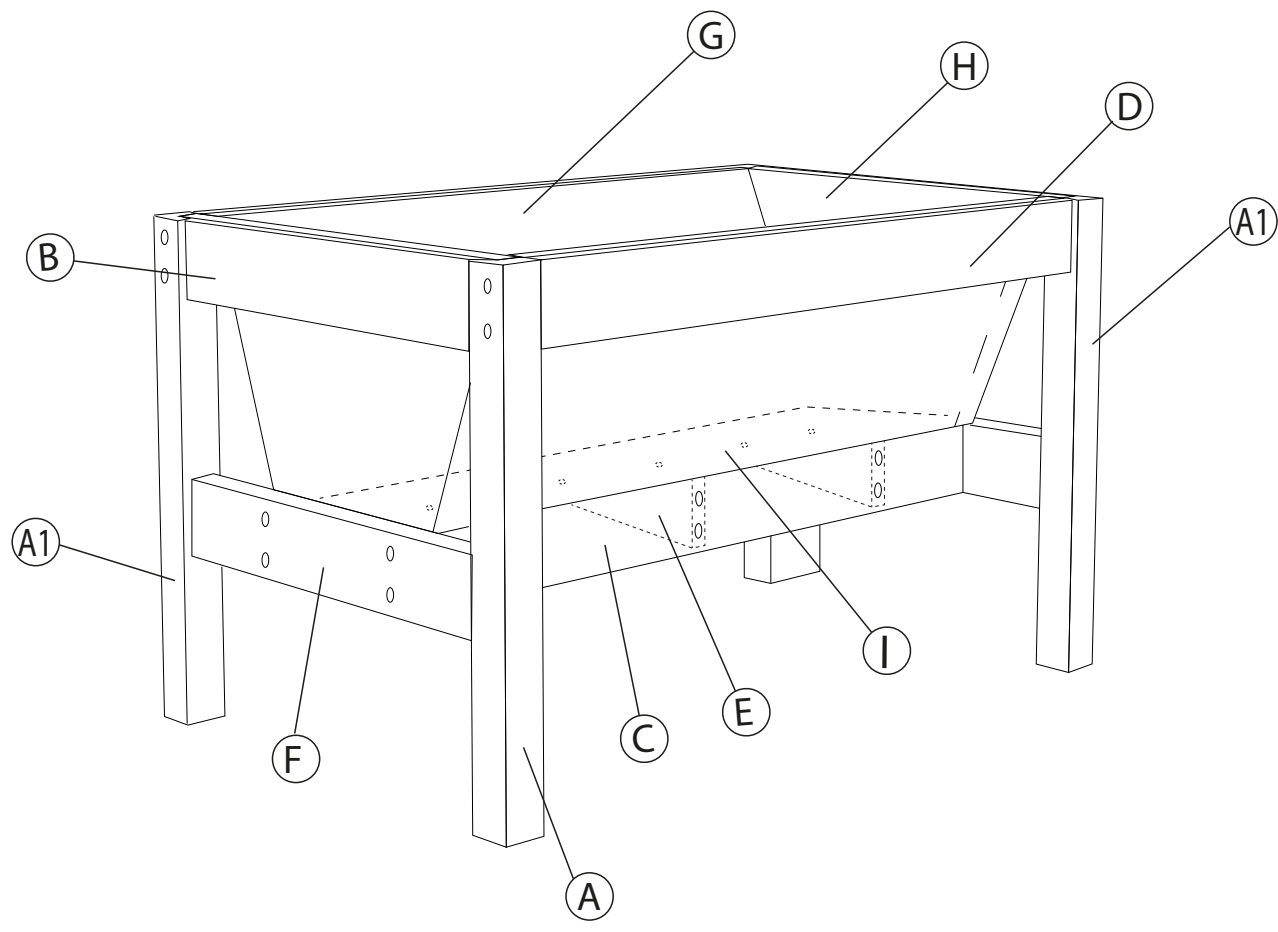
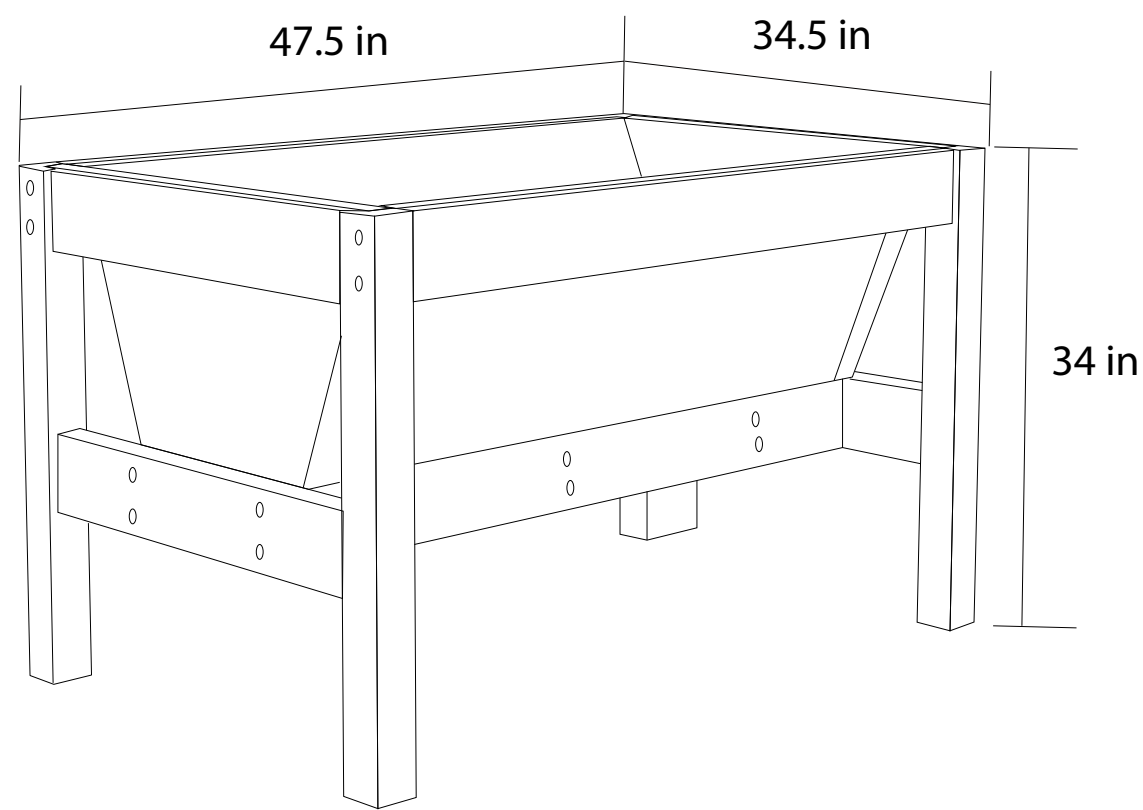


**ASSEMBLY INSTRUCTIONS**



**Assembled Product**



SKU# 2411271

**Wooden Raised Bed**  
**INSTRUCTION MANUAL**



Max loading: 880 lbs/ 400 kgs

Distributed by:  
TRACTOR SUPPLY COMPANY  
5401 VIRGINIA WAY,  
BRENTWOOD, TN 37027  
For customer support,  
call 1-888-378-9601  
www.TractorSupply.com  
Made in China

Approximate assembly time: **15 Minutes**

People for assembly:



Required assembly space:  
Floor area 9 ft. x 9 ft. (3 m x 3 m)



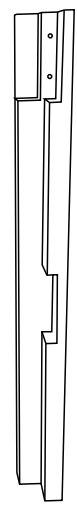
Required assembly tools (included):



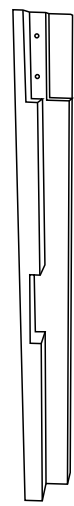
**CAUTION:** Hand tools only, use of power tools could damage product.

**PARTS LIST**

(A) 2 Piece



(A1) 2 Piece



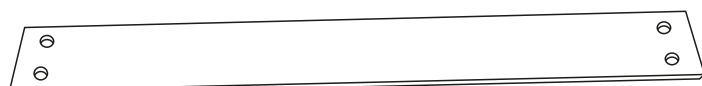
(B) 2 Piece



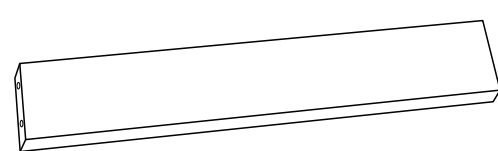
(C) 2 Piece



(D) 2 Piece

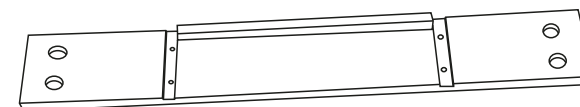


(E) 2 Piece

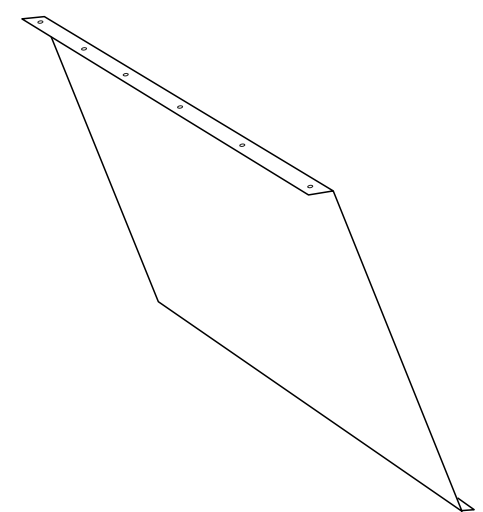


**ASSEMBLY INSTRUCTIONS**

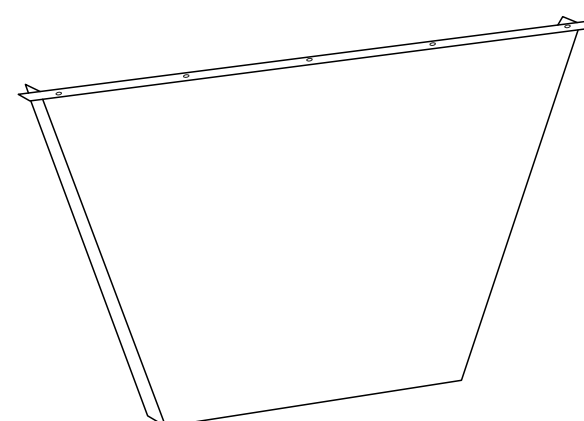
(F) 2 Piece



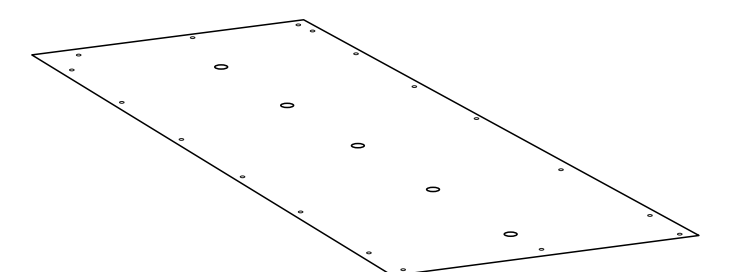
(G) 2 Piece



(H) 2 Piece



(I) 1 Piece



**TIPS BEFORE YOU START**

1. Ensure that all parts are present prior to assembly.
2. Check all packing material carefully before discarding, as some parts may be encased in the packing material.
3. For ease and speed of assembly, it is recommended that prior to each step all required parts are identified.
4. Ensure that you have sufficient space and people (as indicated on page 1) to assemble product safely.
5. During assembly take care not to over-tighten any fittings, as this may damage the product.

**CARE AND MAINTENANCE**

- Periodically check all fittings and re-tighten as necessary.
- This product should only be used on firm, level ground.

**HARDWARE LIST**

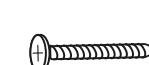
① M6 x2.75in - 32Pieces



② M6 x1.57in - 8Pieces

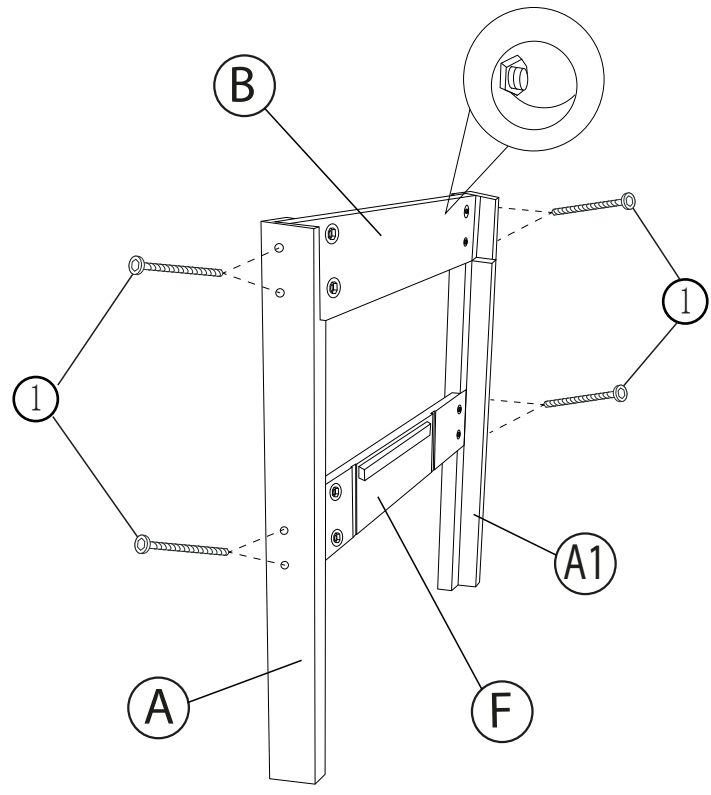


③ M3.5 x0.59in - 40Pieces



ASSEMBLY INSTRUCTIONS

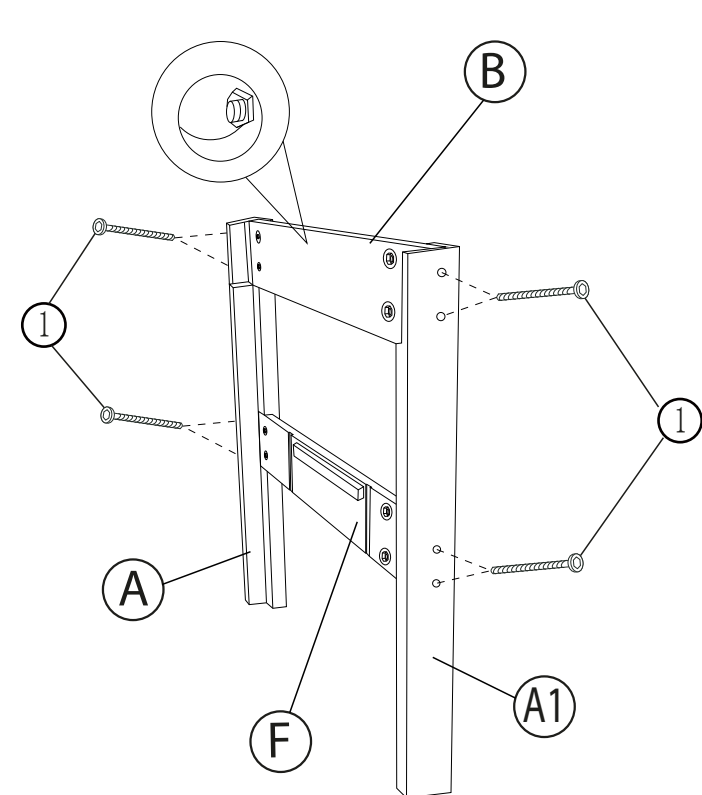
Step 1



① M6 x2.75in - 8Pieces



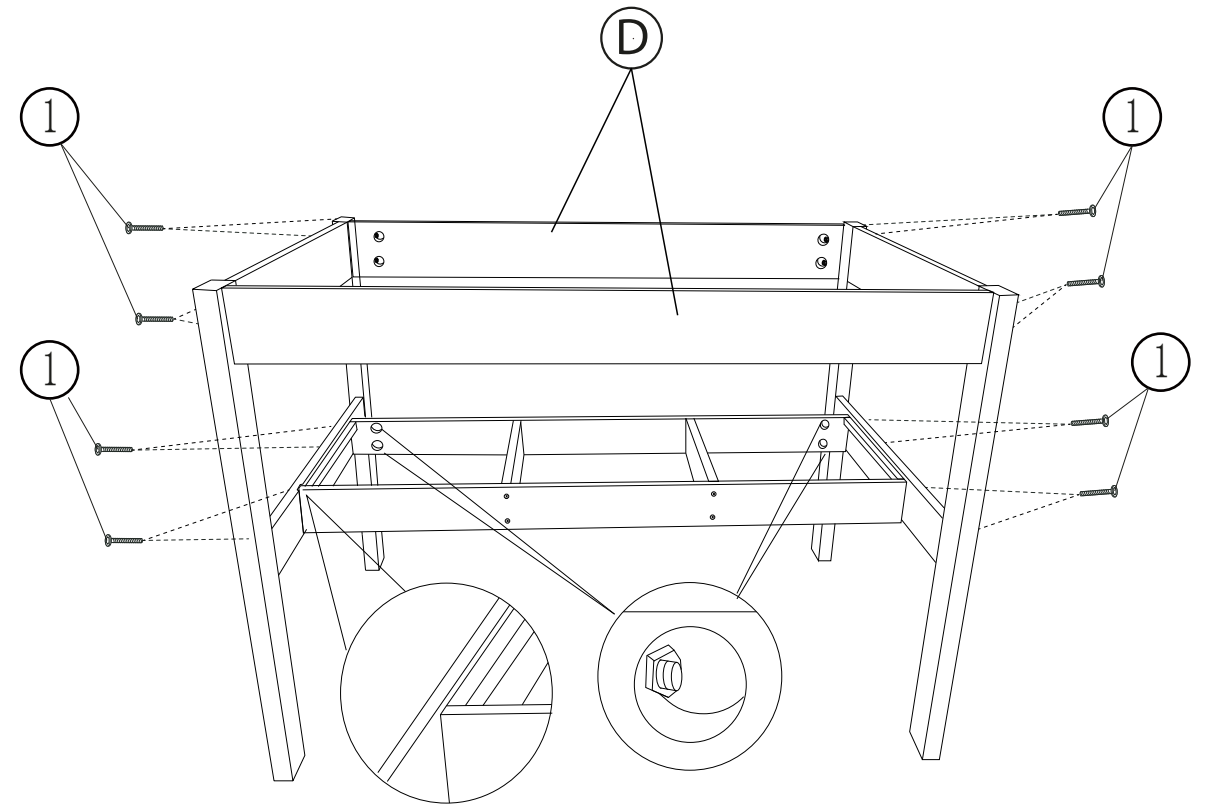
Step 2



① M6 x2.75in - 8Pieces



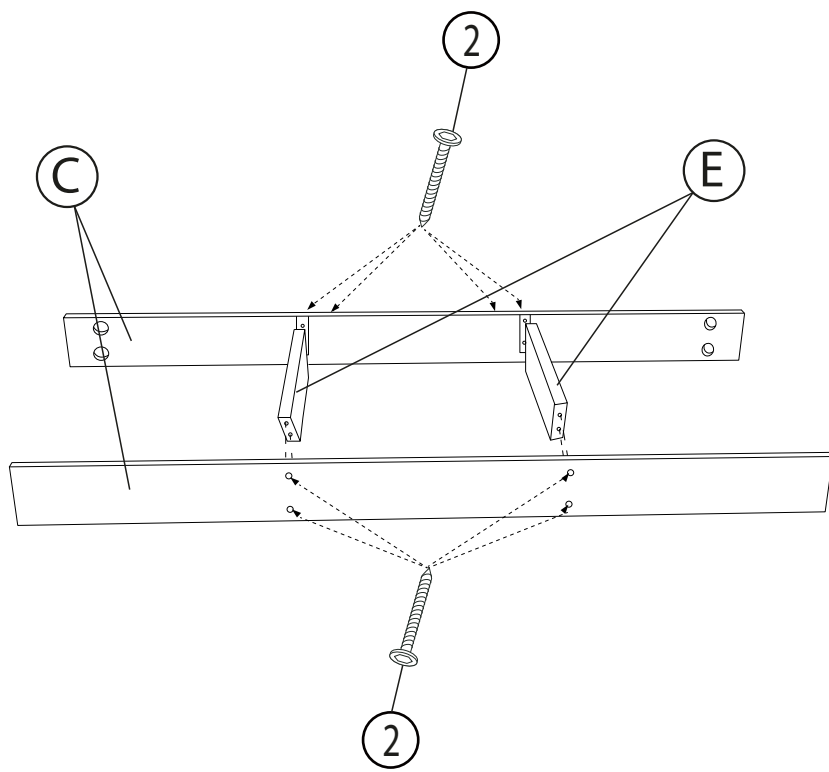
Step 4



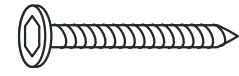
① M6 x2.75in - 16Pieces



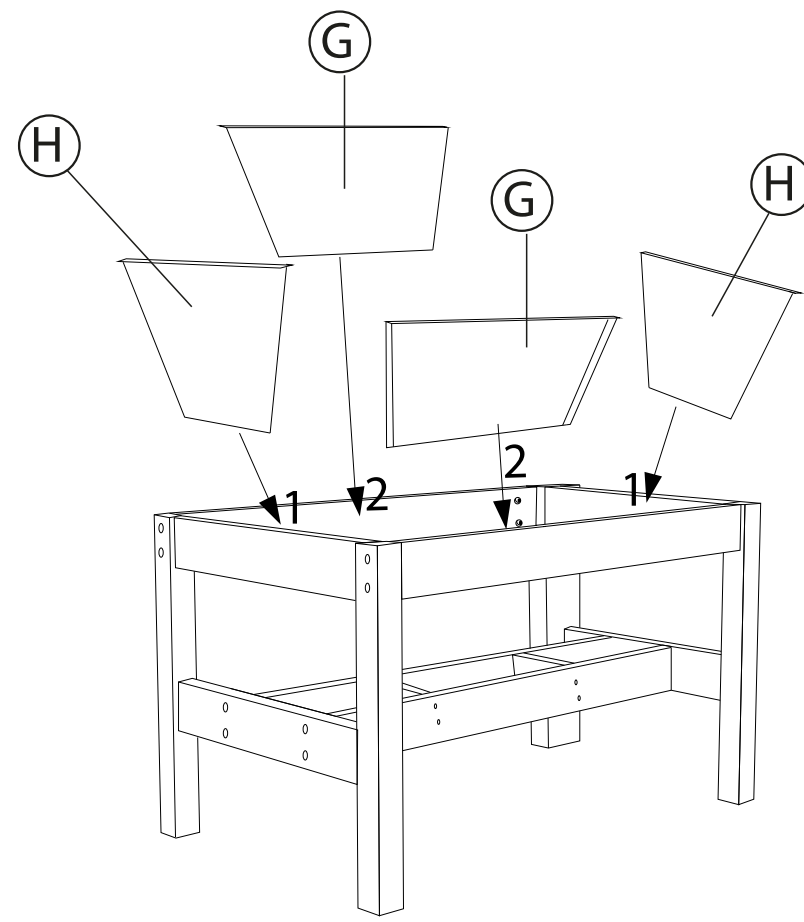
Step 3



② M6x1.57inx 8 Pieces

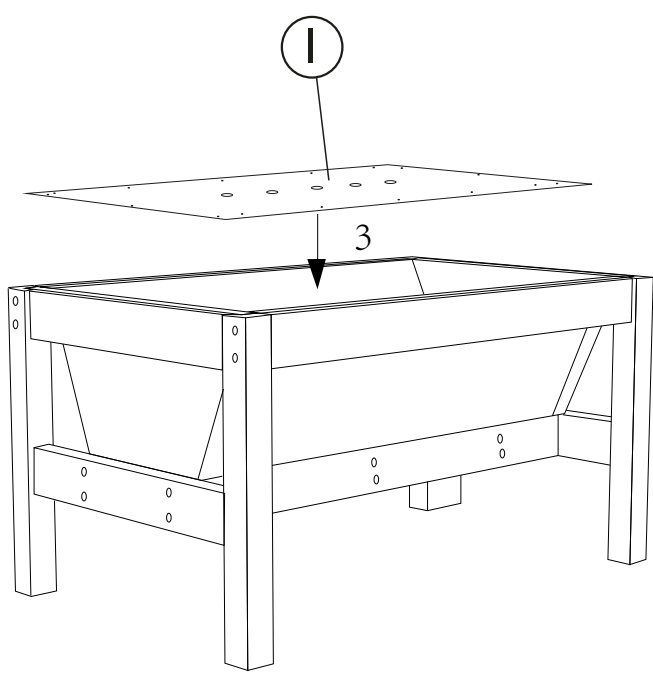


Step 5

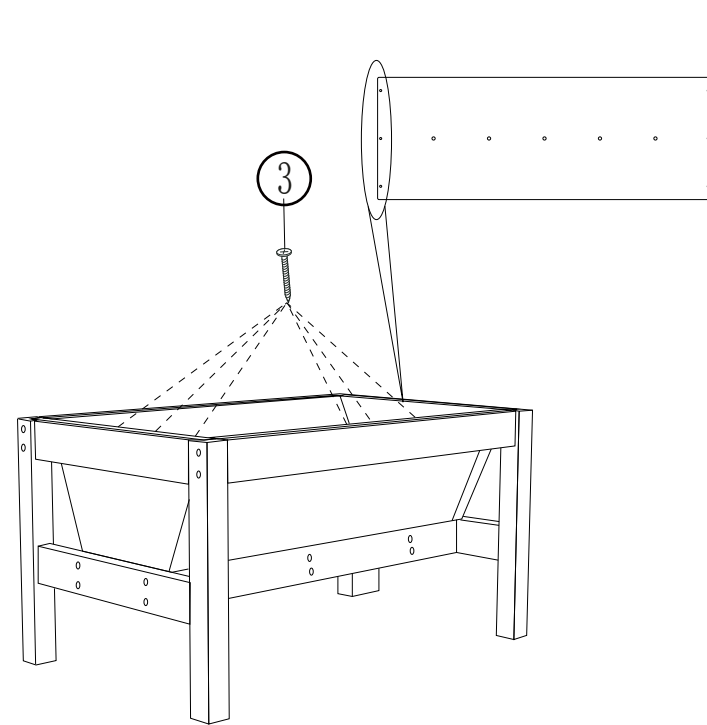


ASSEMBLY INSTRUCTIONS

Step 6



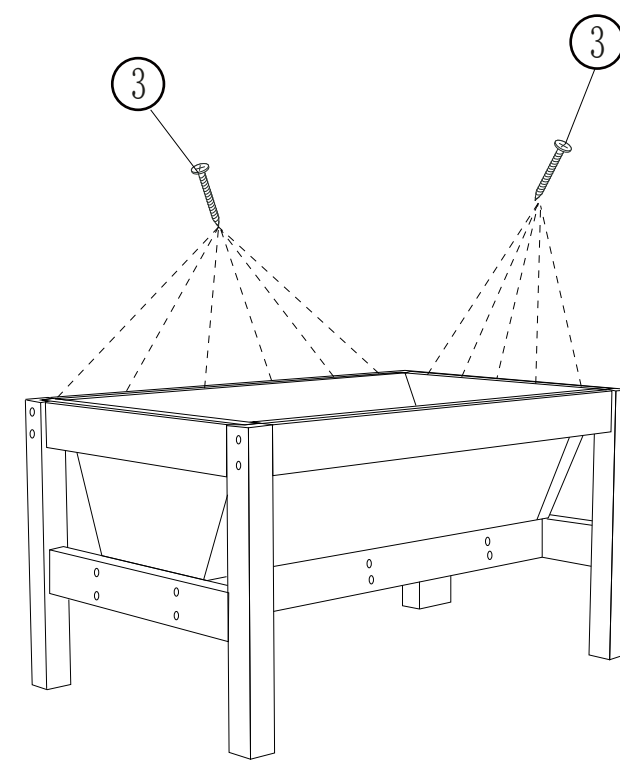
Step 7



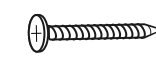
③ M3.5 x0.59in - 6Pieces



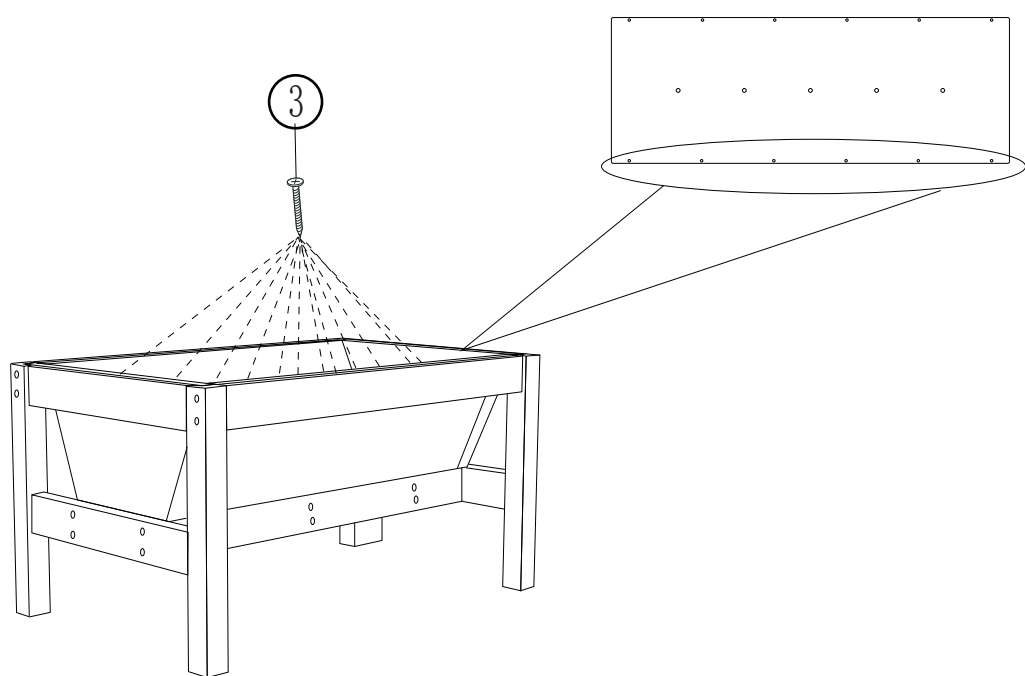
Step 9



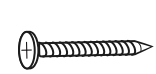
③ M3.5 x0.59in - 11Pieces



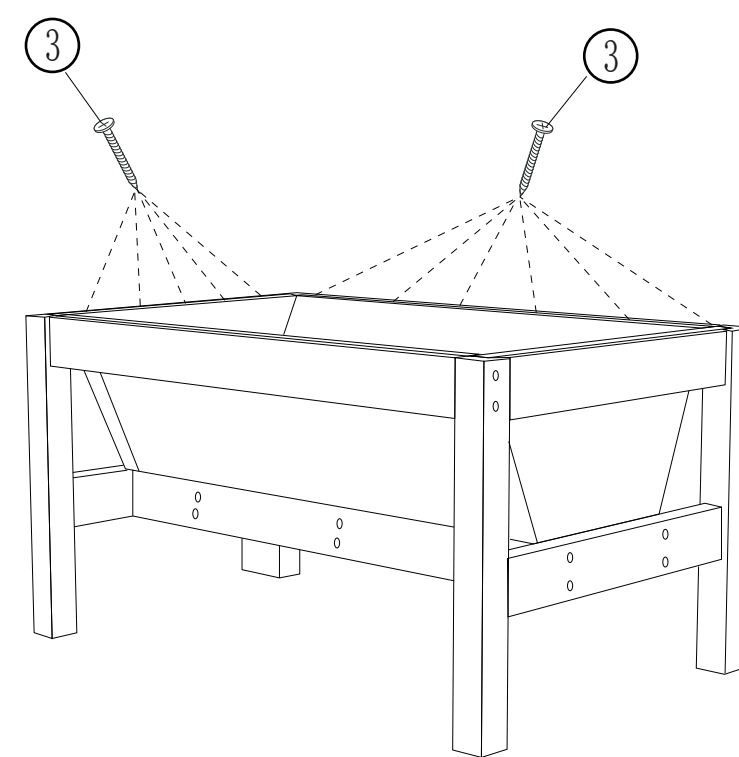
Step 8



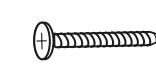
③ M3.5 x0.59in - 12Pieces



Step 10



③ M3.5 x0.59in - 11Pieces



- Do not stand on table.
- This product should only be used on firm,level ground.