

NEED HELP?
Live chat support at vosker.com
or from our mobile app



VOSKER V300
ULTIMATE



QUICK START GUIDE


V 1.0

IN THE BOX

| | | | |
|--|--|--|---|
|  V300 Ultimate Security Camera |  14 000 mAh Lithium Battery (V-LIT-B3) |  VOSKER SIM card (non-removable) |  32 GB MicroSD card (removable) |
|  Stickers « Protected by VOSKER® » (2X) |  Solar Power Bank |  Adjustable 360-degree swivel & tilt mounting arm (2X) |  Flat mounting plate (2X) |
|  Wood screw mounting option (2X) |  DC power adapter |  USB-C to USB-C cable (camera power supply) 3 ft/1 m |  USB-A to USB-C cable (battery charging) 3 ft/1 m |

BEFORE INSTALLATION

#1



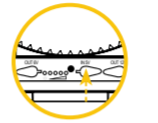
Charging the battery pack

Plug the USB cable to the lithium battery USB port and connect it to a power source. Once plugged, the red LED will show the charging battery is ongoing. When the charge is completed, the LED will turn green.

Charge 24 hours before use.

IMPORTANT:
The lithium battery MUST be charged APART from the camera.


#2



Charging the Solar Power Bank

Plug the included DC power adapter into the (IN 5V) port. During this charging process, the red LEDs flash to indicate charge level, while the green light stays steady on. It takes between 4 and 6 hours to fully charge.

#3



Download on the **App Store**

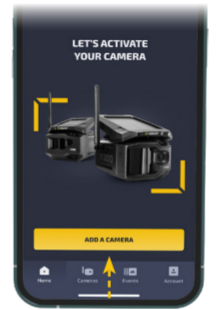
GET IT ON **Google Play**

Download the VOSKER APP and sign in.

Minimum version requirement :

- iOS 15 for iPhones
- Android 10 for Android Phones

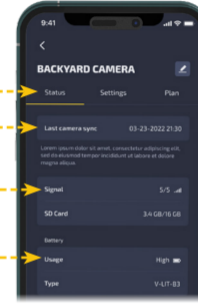
#4



Add a new camera

Follow the instructions on the screen to activate your camera.

#5



Before installation, please verify:

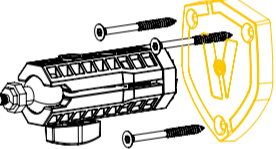
- 1- All batteries are fully charged
- 2- The camera is synchronized in the VOSKER app
- 3- Photos and videos are displayed in the events tab

INSTALLATION

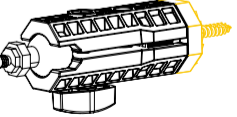
#6

What you'll need for installation:

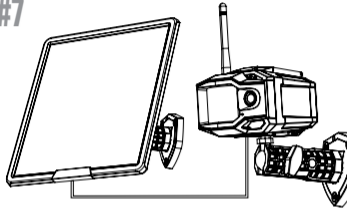
Choose between **flat mounting plate**



or **wood screw mounting option**



#7



Recommended installation:

Camera:

- ✓ Good signal strength
- ✗ Direct sunlight hitting the lens
- ✗ Moving objects causing false detections

Solar Power Bank:

- ✓ Within the range of the supplied usb-c cable
- ✓ South facing
- ✓ Angled at about 45°

#8

Scan for detailed instructions

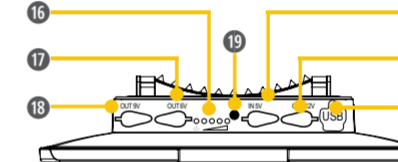
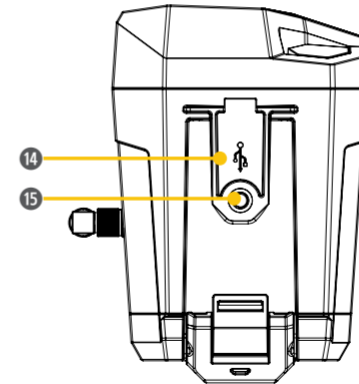
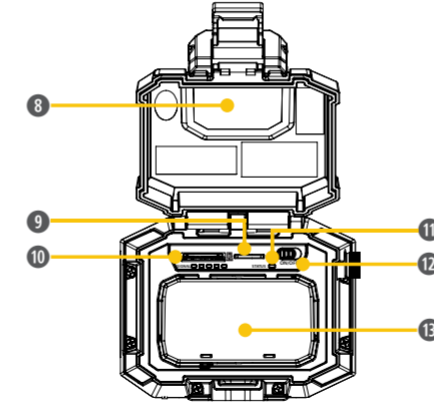
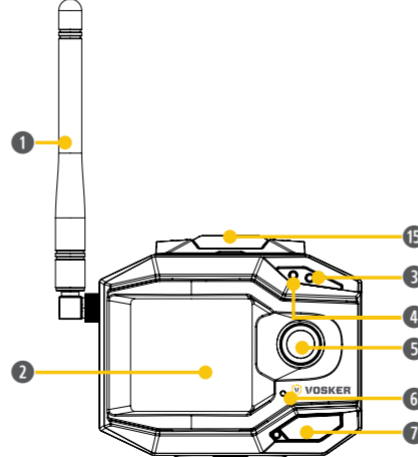


vosker.com/support/v300-ult



COMPONENTS

- | | |
|-------------------------|-------------------------|
| 1 Cellular Antenna | 12 OFF/ON Switch |
| 2 Motion Dectector | 13 Battery Compartment |
| 3 DELAY Light | 14 USB-C Port |
| 4 Light Sensor | 15 1/4"-20 Tripod Mount |
| 5 Lens | 16 LED indicator |
| 6 Microphone | 17 6 V output port |
| 7 Night Vision LEDs | 18 9 V output port |
| 8 Starting Instructions | 19 TEST button |
| 9 MicroSD Card | 20 5 V input port |
| 10 SIM Card | 21 12 V output port |
| 11 STATUS Light | 22 USB port |



Join the community @voskertech   



**MORE INFORMATION
AVAILABLE IN THE
CERTIFICATIONS GUIDE**

