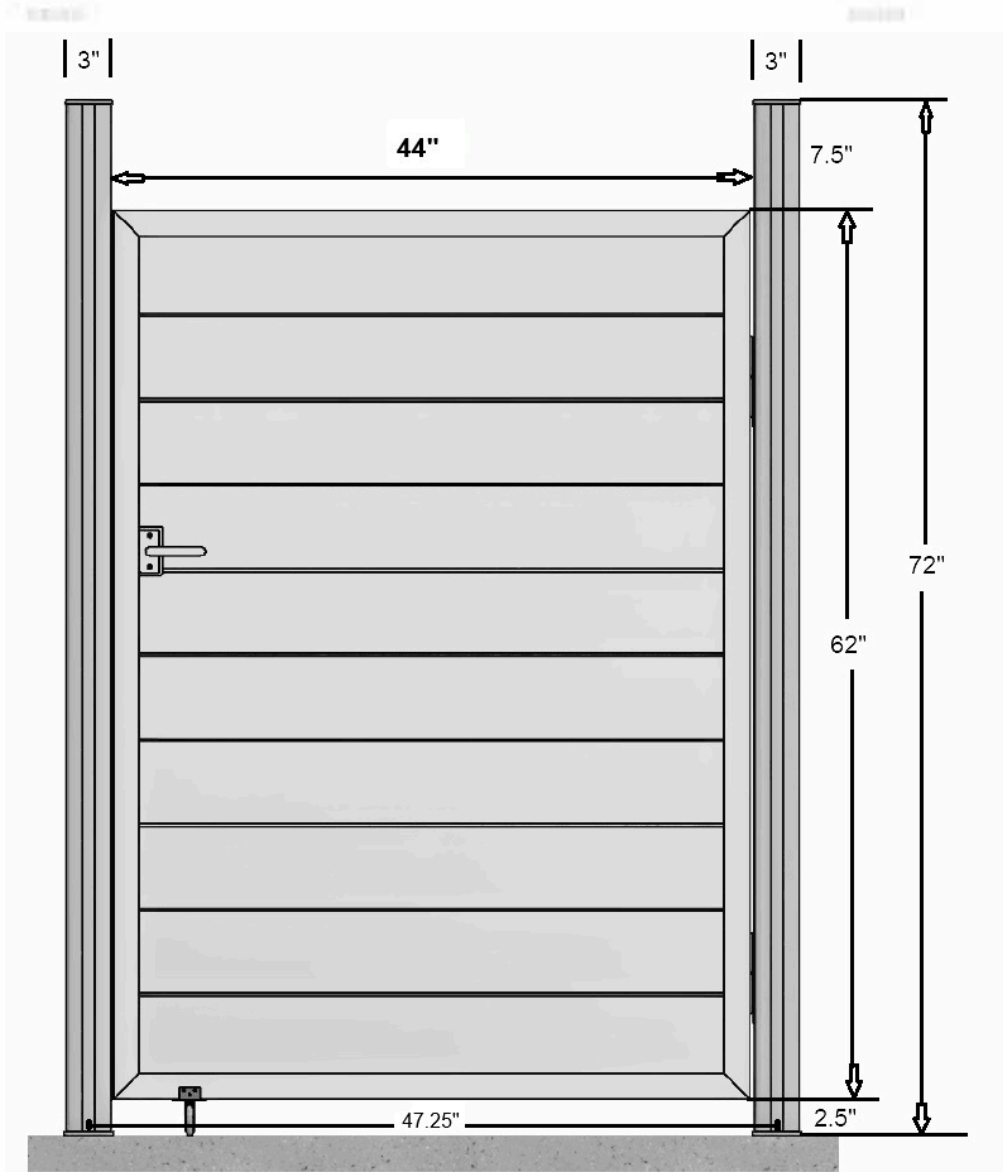




EP Decking Inc
Flooring, Decking and Fence

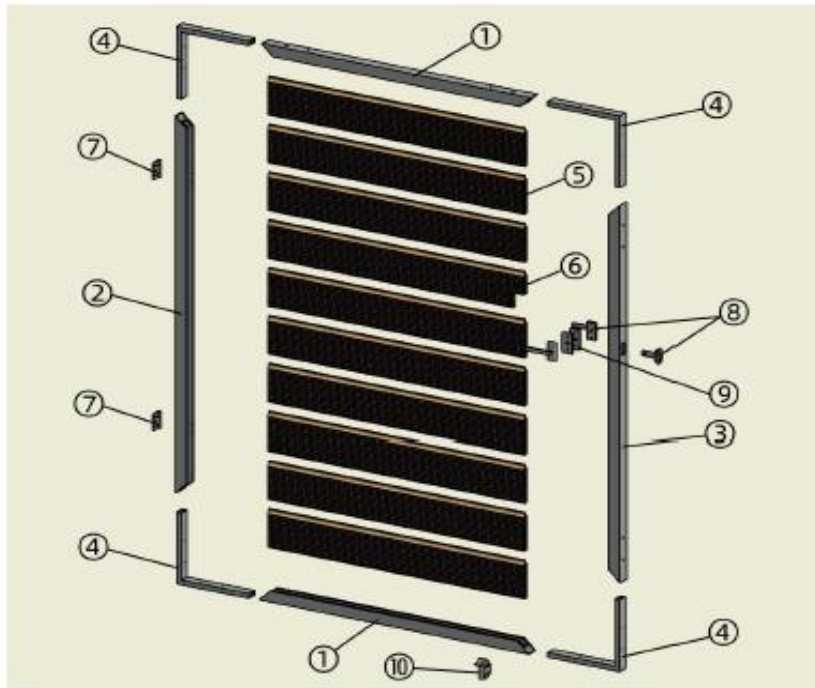


The wheel must be installed and the swing path must be concrete slab




WPC Gate Installation instruction




Model #: WPCFG – P1B/P4/C03/C04/EP22/EP22




Parts Diagram








Parts

 1 Top/Bottom Frame Bar			 2 Hinges Connecting Side Frame Bar			 3 Frame Side Bar With Lock Hole		
Part No.	Dims/Length(mm)	QTY	Part No.	Dims/Length(mm)	QTY	Part No.	Dims/Length(mm)	QTY
LHMZL038	46*46*1120	2	LHMZL038	46*46*1570	1	LHMZL038	46*46*1570	1

 4 L-Shaped Connecting Bar			 5 WPC Boards			 6 WPC Boards		
Part No.	Dims/Length(mm)	QTY	Part No.	Dims/Length(mm)	QTY	Part No.	Dims/Length(mm)	QTY
LHMZL040	300*300	4	LHM143	1065	9	LHM143	1065	1

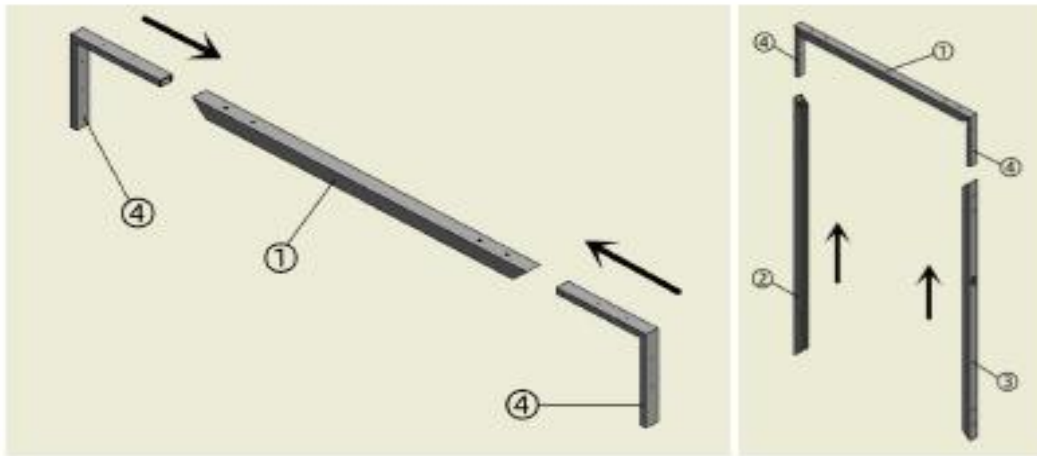
 7 Gate Hinges			 8 Lock			 9 Lock Base Cover		
Part No.	Dims/Length(mm)	QTY	Part No.	Dims/Length(mm)	QTY	Part No.	Dims/Length(mm)	QTY
LHMZL043	6 inches	2	LHMZL044	/	1	LHMZL046	/	2

 10 Wheel			 11 Hinge Connecting Plate			 12 Lock Hole		
Part No.	Dims/Length(mm)	QTY	Part No.	Dims/Length(mm)	QTY	Part No.	Dims/Length(mm)	QTY
LHMZL045	/	1	LHMZL041	200*48*25	2	LHMZL042	120*20*25	1

 13 Lockscrews			 14 Self-drilling screw		
Part No.	Dims/Length(mm)	QTY	Part No.	Dims/Length(mm)	QTY
/	M	2	/	ST4.2*38	/

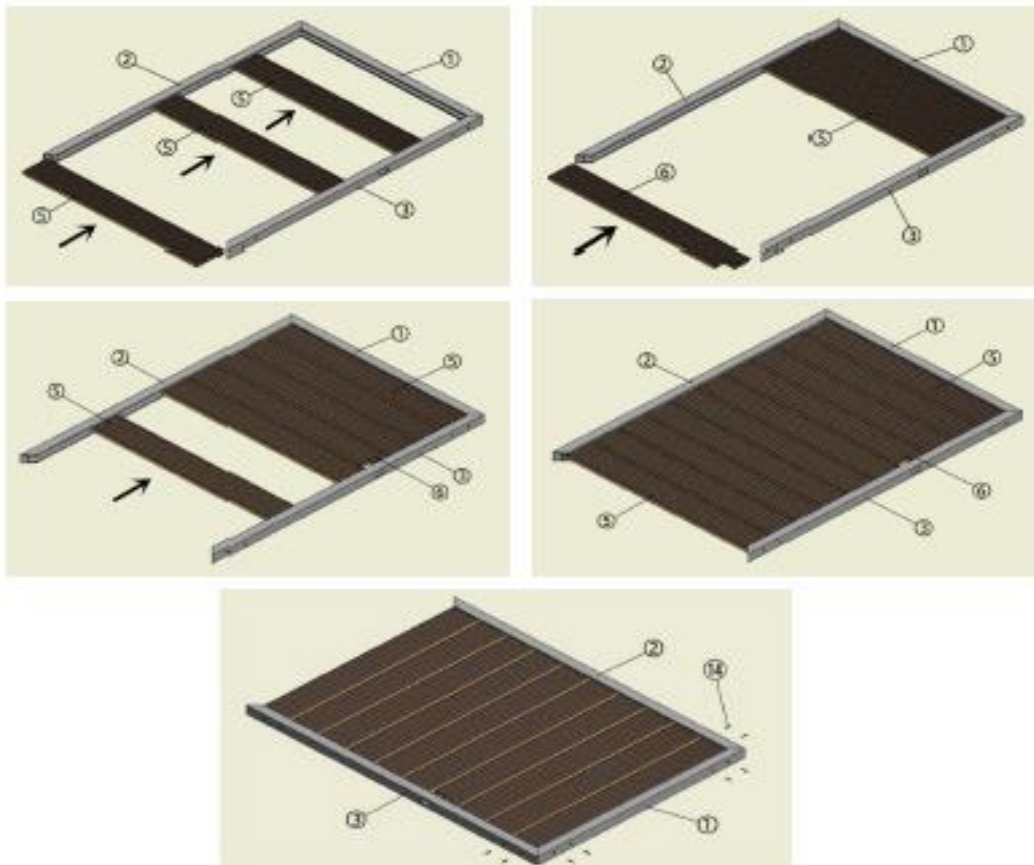
1

Upper Frame Installation

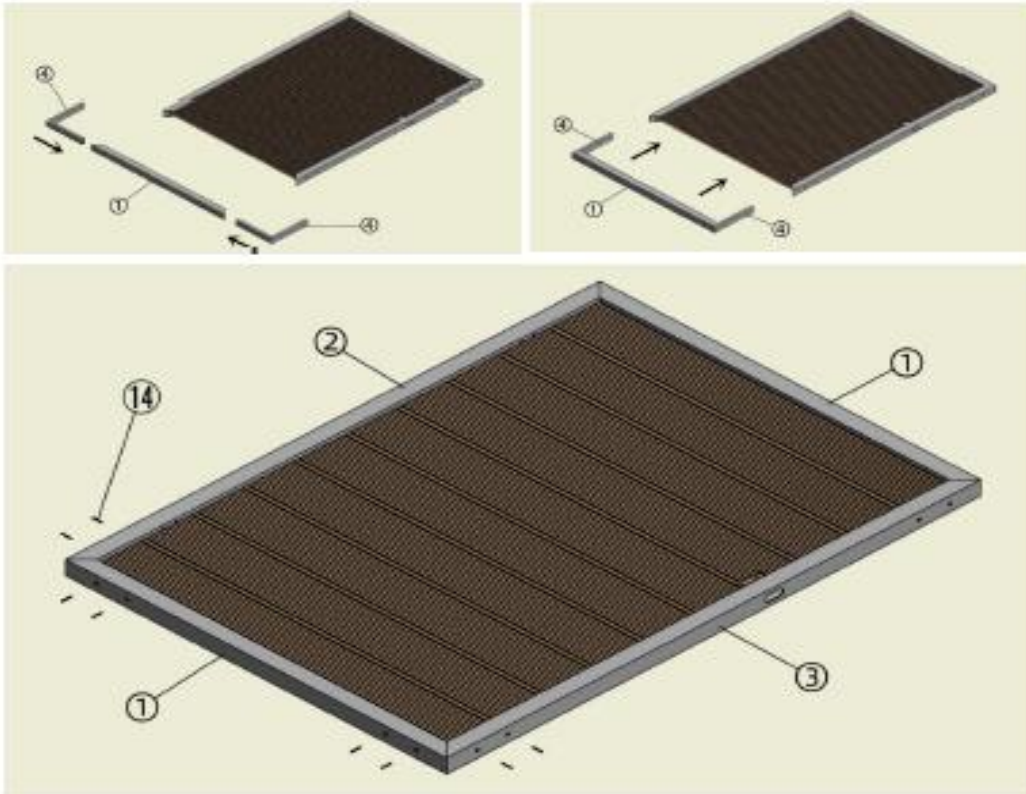


2

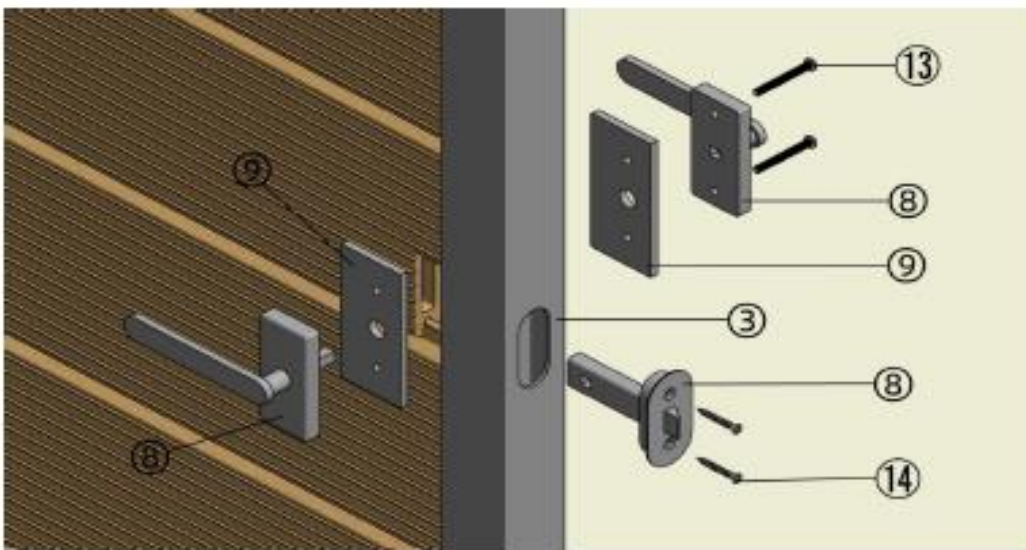
Boards Installation. (**The 4th board is different than others)



3 Bottom Frame Installation

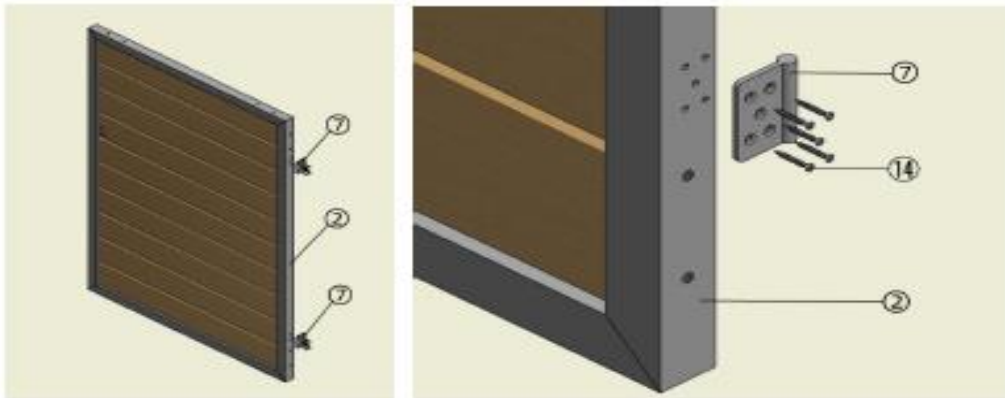


4 Lock Installation



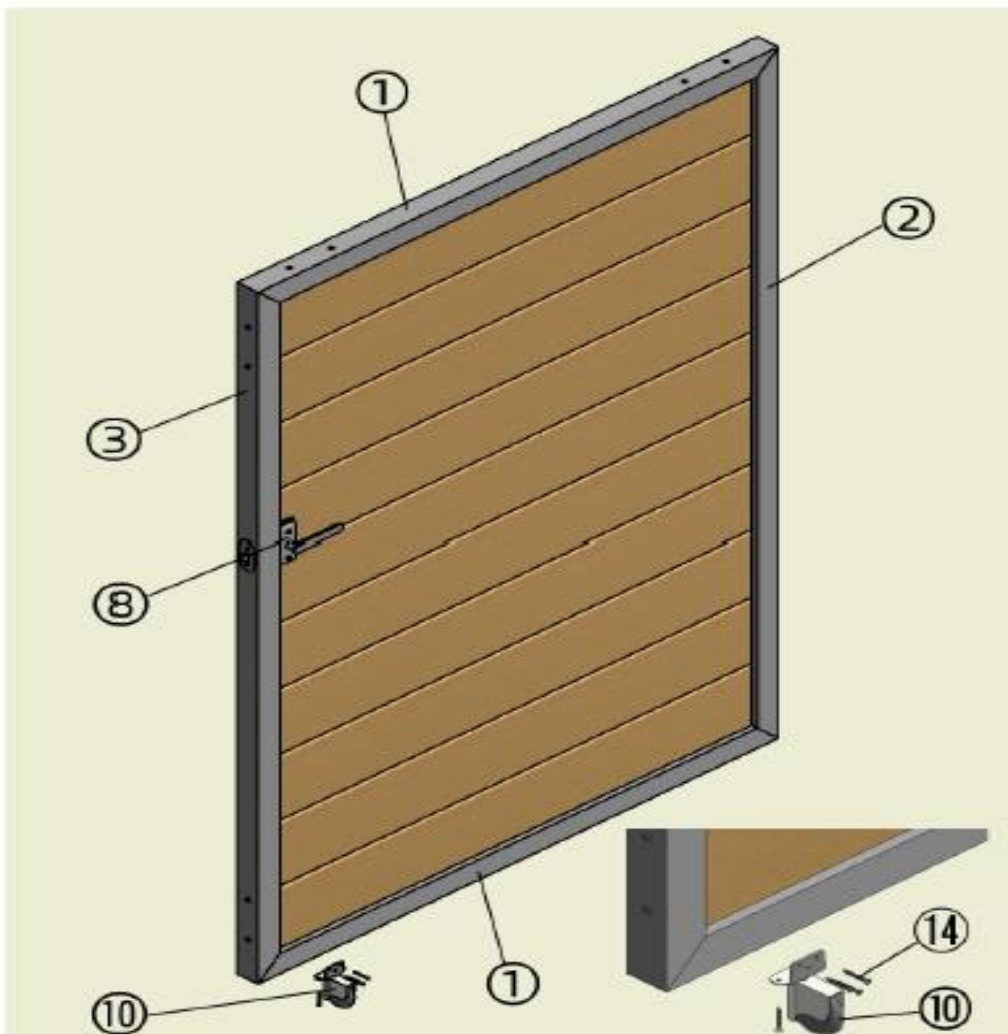
5

Hinges Installation – Upper part of hinges on gate, bottom part of hinges on post.



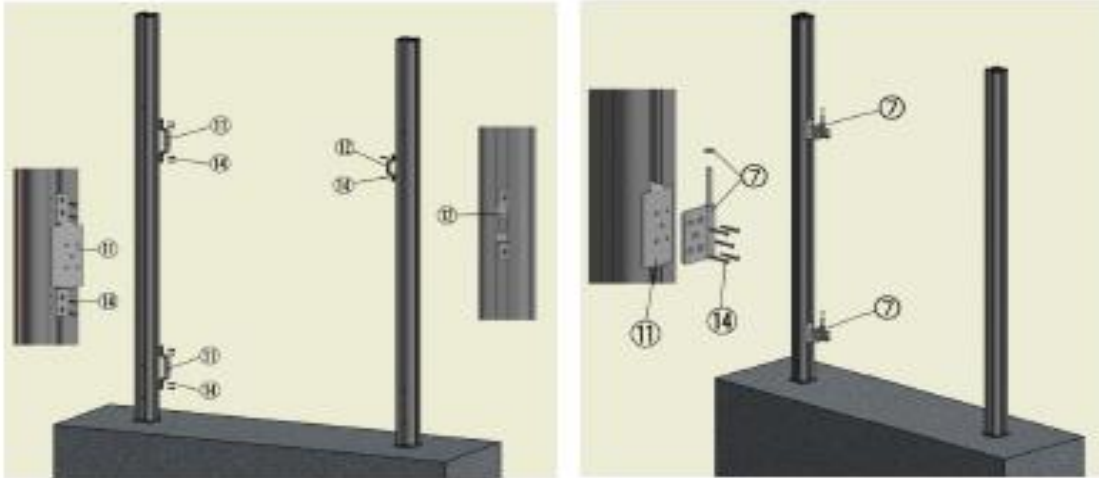
6

Wheel Installation



Gate Installation

1 Hinges Connecting Plate, Lock Hole and Hinges Installation



2 Gate Installation

