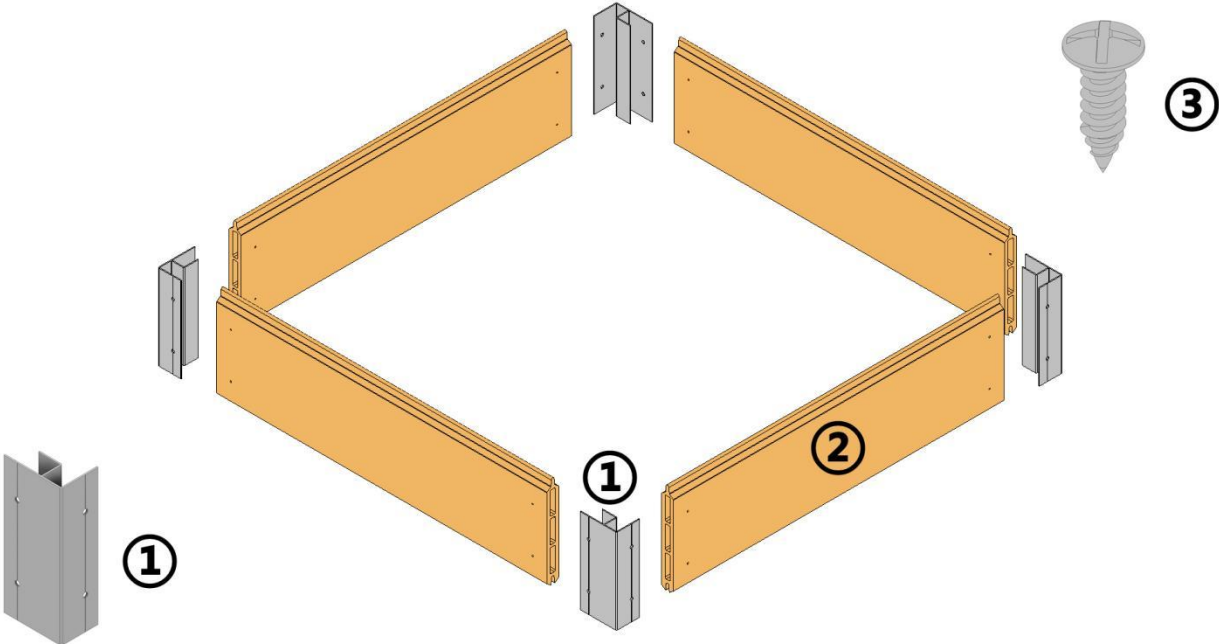


Raised Garden Bed

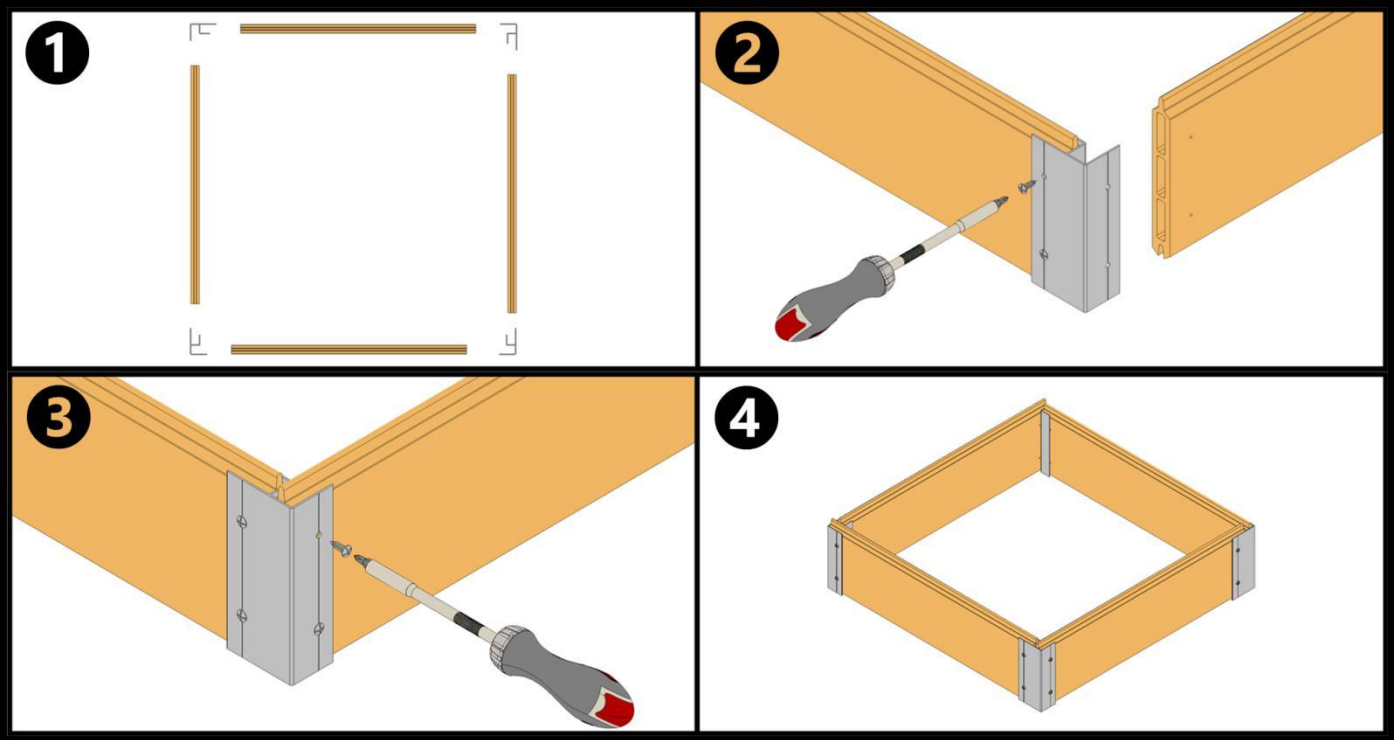
Square Model

1、Diagram



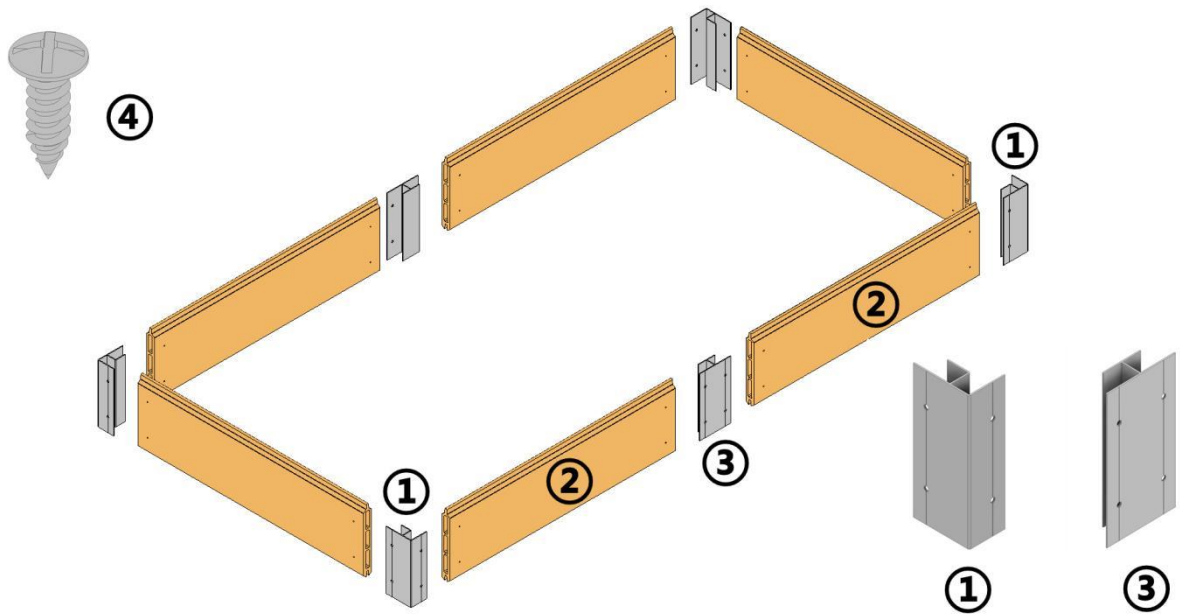
① Corner Bracket ② Boards With Pilot Holes ③ Screws

2、Installation – Please aware the position for each corner bracket



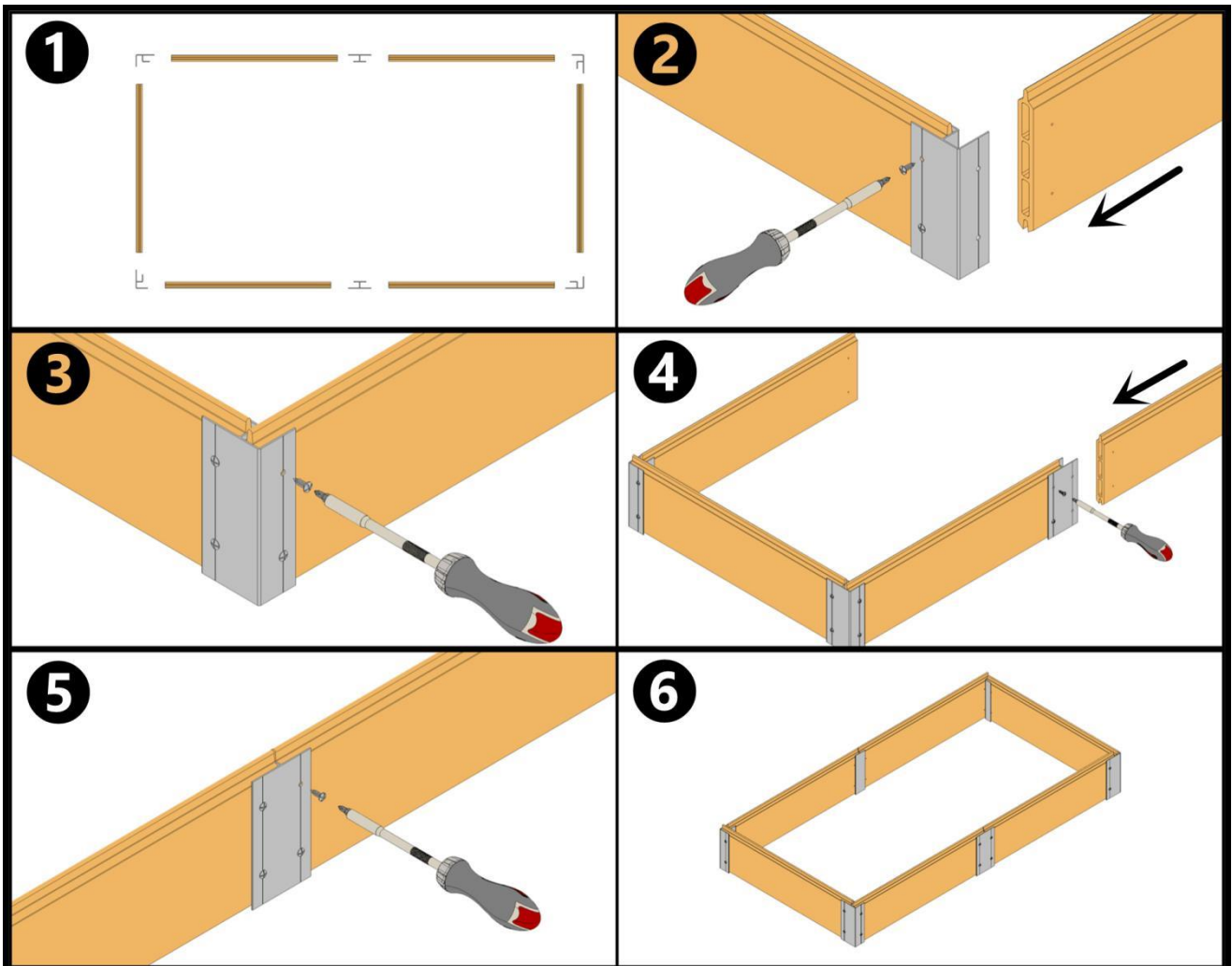
Rectangle Model

1、 Diagram



① Corner Bracket ② Boards With Pilot Holes ③ H-Bracket ④ Screws

2、 Installation – Please aware the position for each corner bracket



Stacking Styles

