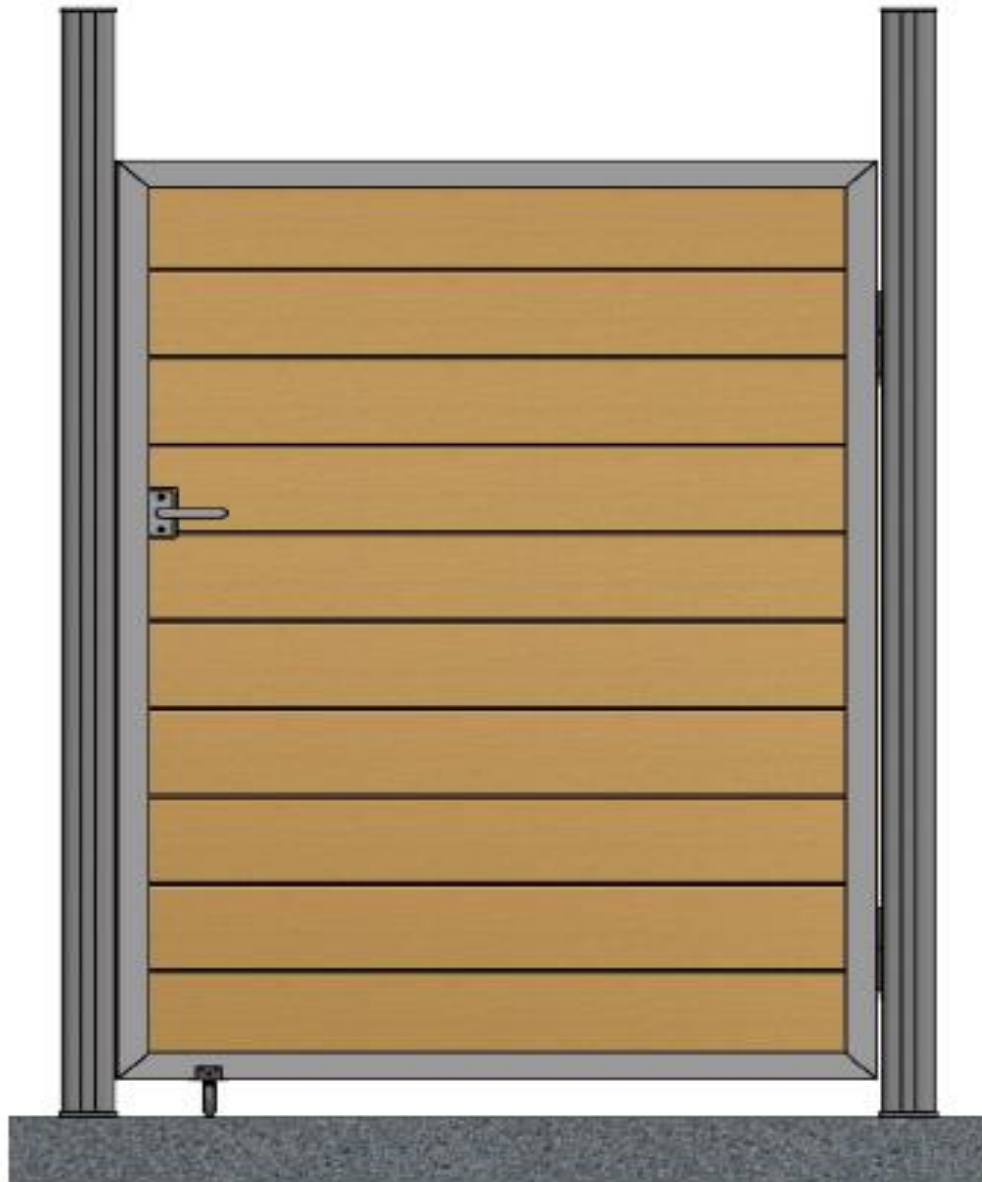




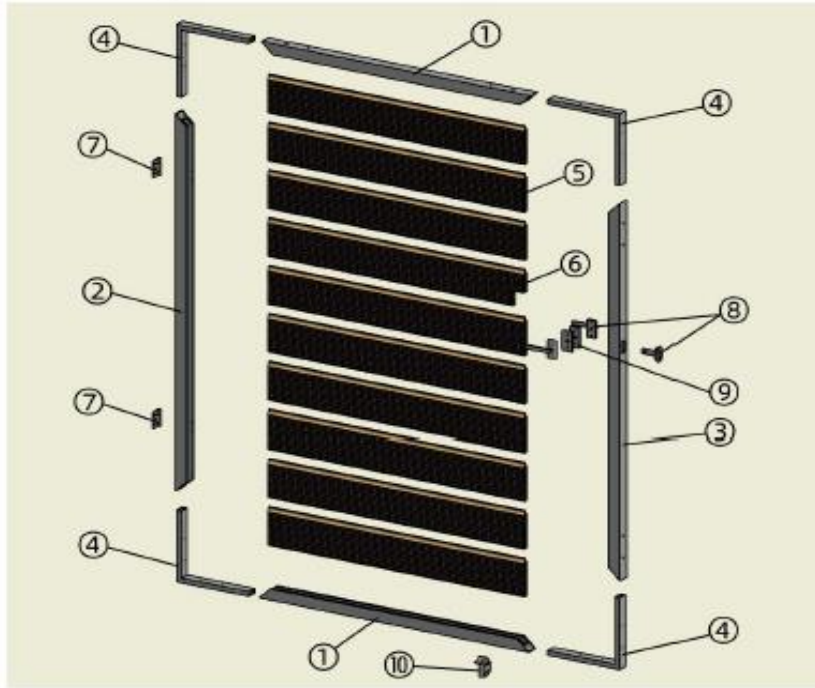
**EP Decking Inc**  
Flooring, Decking and Fence






**WPC Gate** Installation instruction




# Model #: WPCFG – P1B/P4/C03/C04


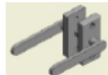

## Parts Diagram








## Parts

 <b>1</b> Top/Bottom Frame Bar			 <b>2</b> Hinges Connecting Side Frame Bar			 <b>3</b> Frame Side Bar With Lock Hole		
Part No.	Dims/Length(mm)	QTY	Part No.	Dims/Length(mm)	QTY	Part No.	Dims/Length(mm)	QTY
LHMZL038	46*46*1120	2	LHMZL038	46*46*1570	1	LHMZL038	46*46*1570	1

 <b>4</b> L-Shaped Connecting Bar			 <b>5</b> WPC Boards			 <b>6</b> WPC Boards		
Part No.	Dims/Length(mm)	QTY	Part No.	Dims/Length(mm)	QTY	Part No.	Dims/Length(mm)	QTY
LHMZL040	300*300	4	LHM143	1065	9	LHM143	1065	1

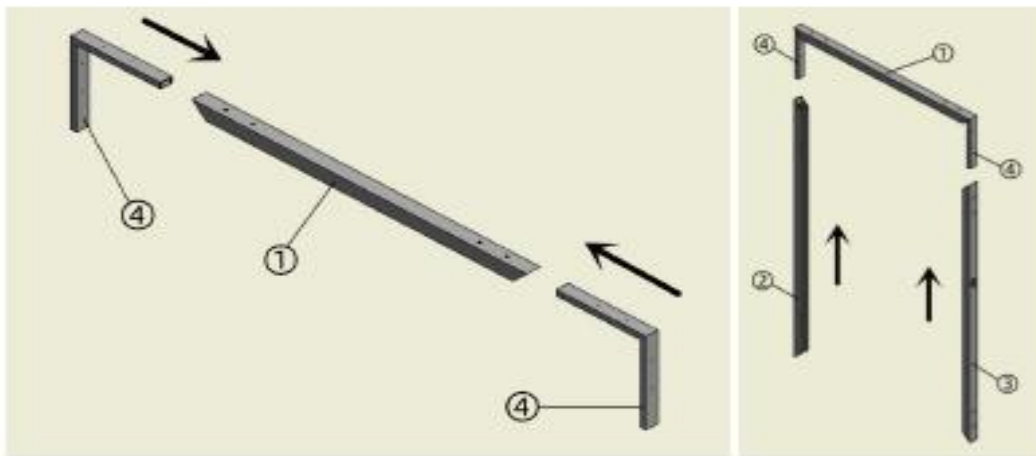
 <b>7</b> Gate Hinges			 <b>8</b> Lock			 <b>9</b> Lock Base Cover		
Part No.	Dims/Length(mm)	QTY	Part No.	Dims/Length(mm)	QTY	Part No.	Dims/Length(mm)	QTY
LHMZL043	6 inches	2	LHMZL044	/	1	LHMZL046	/	2

 <b>10</b> Wheel			 <b>11</b> Hinge Connecting Plate			 <b>12</b> Lock Hole		
Part No.	Dims/Length(mm)	QTY	Part No.	Dims/Length(mm)	QTY	Part No.	Dims/Length(mm)	QTY
LHMZL045	/	1	LHMZL041	200*48*25	2	LHMZL042	120*20*25	1

 <b>13</b> Lockscrews			 <b>14</b> Self-drilling screw		
Part No.	Dims/Length(mm)	QTY	Part No.	Dims/Length(mm)	QTY
/	M	2	/	ST4.2*38	/

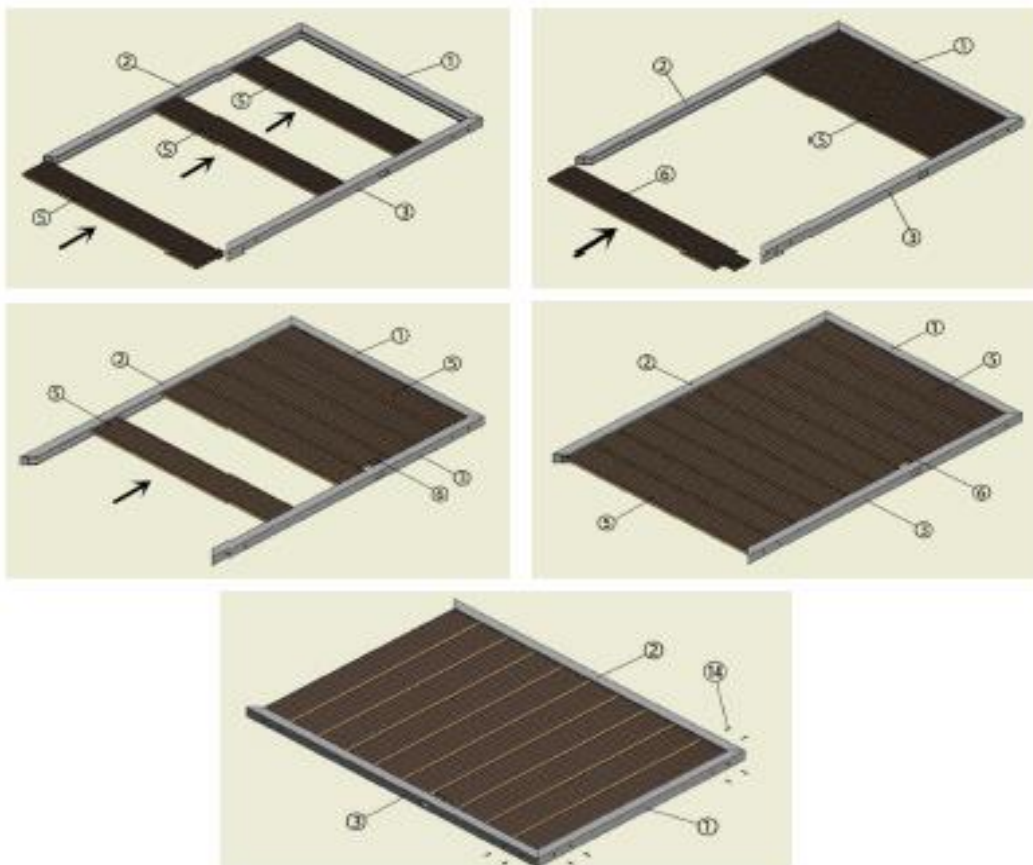
# 1

## Upper Frame Installation

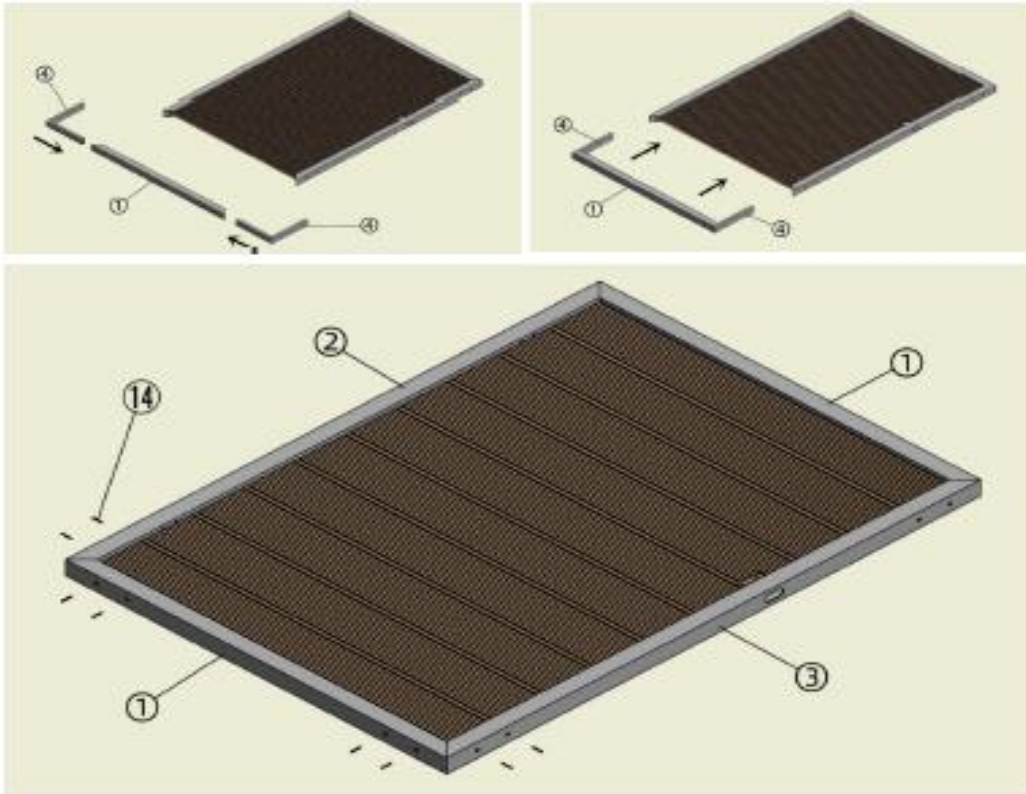


# 2

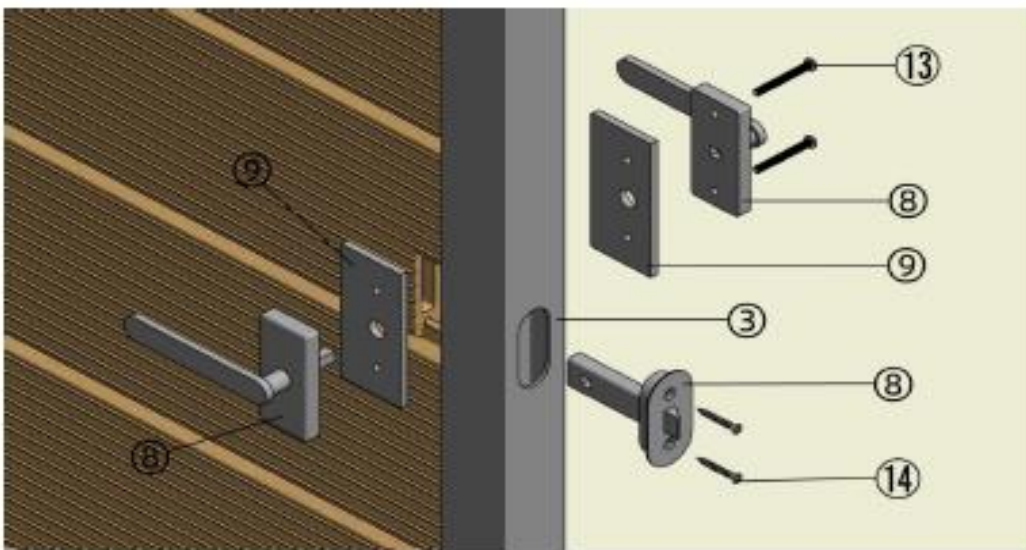
## Boards Installation. (\*\*The 4th board is different than others)



### 3 Bottom Frame Installation

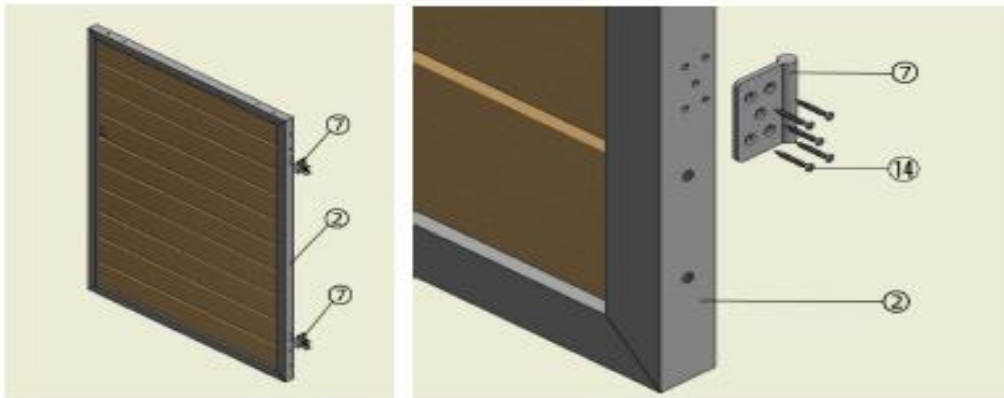


### 4 Lock Installation



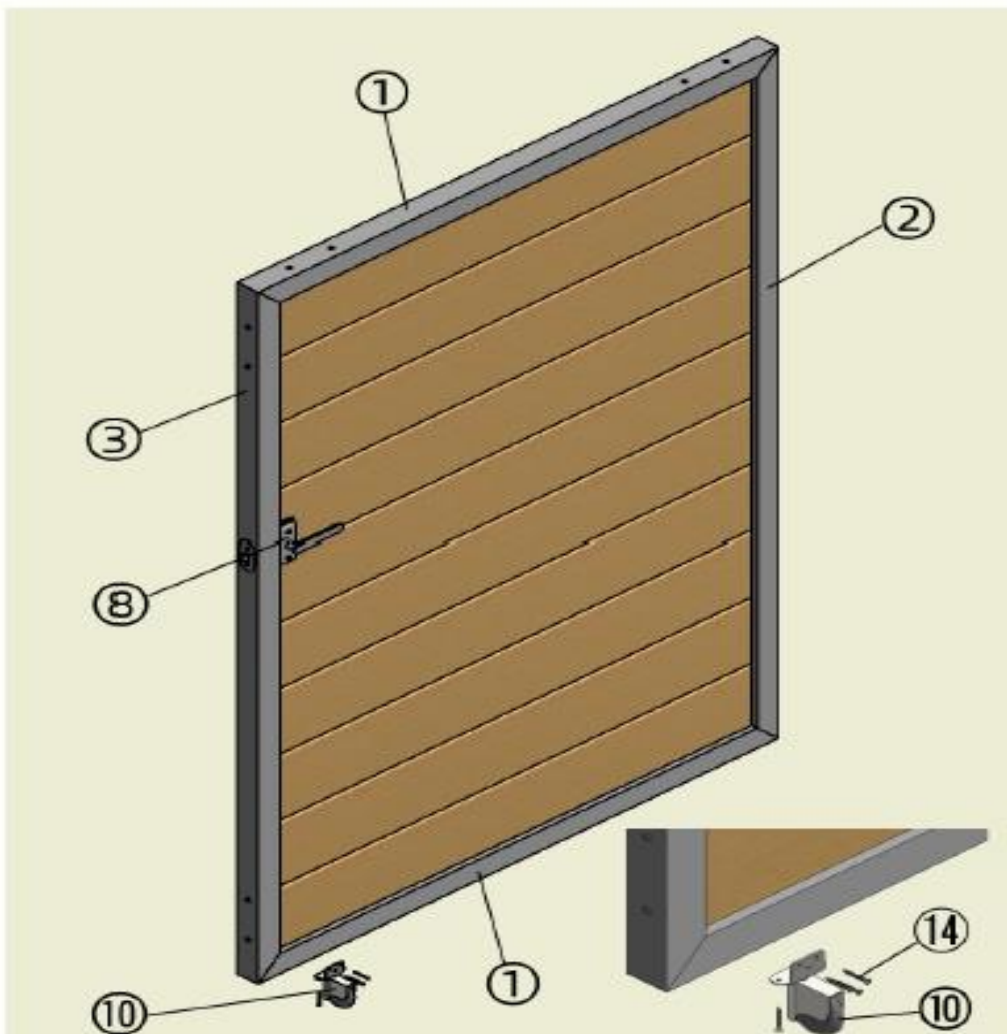
## 5

Hinges Installation – Upper part of hinges on gate, bottom part of hinges on post.



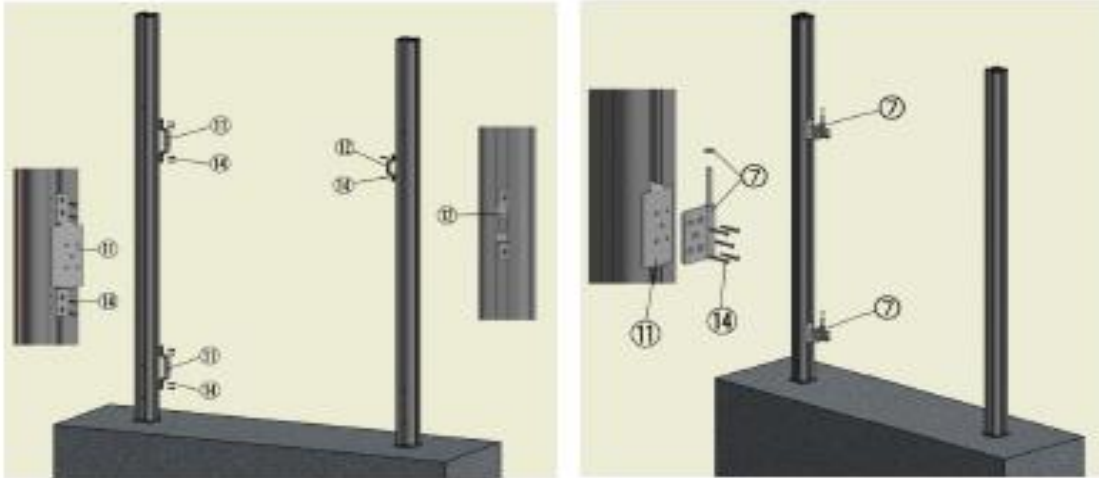
## 6

Wheel Installation



# Gate Installation

## 1 Hinges Connecting Plate, Lock Hole and Hinges Installation



## 2 Gate Installation

