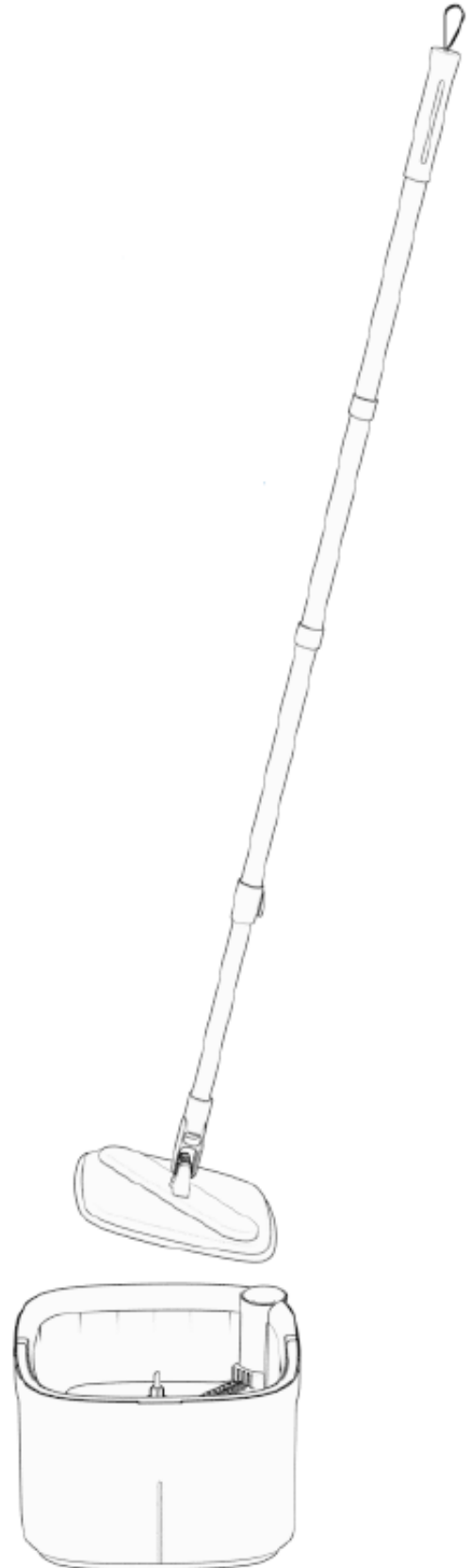


SAFE • SMART • HANDY • RELIABLE • INNOVATIVE • NEW • FUNCTIONAL • DESIGN

True & Tidy™

MODEL # SPIN-800

USE & CARE MANUAL



www.trueandtidy.com



facebook.com/TrueandTidyHome



Instagram.com/trueandtidyhome



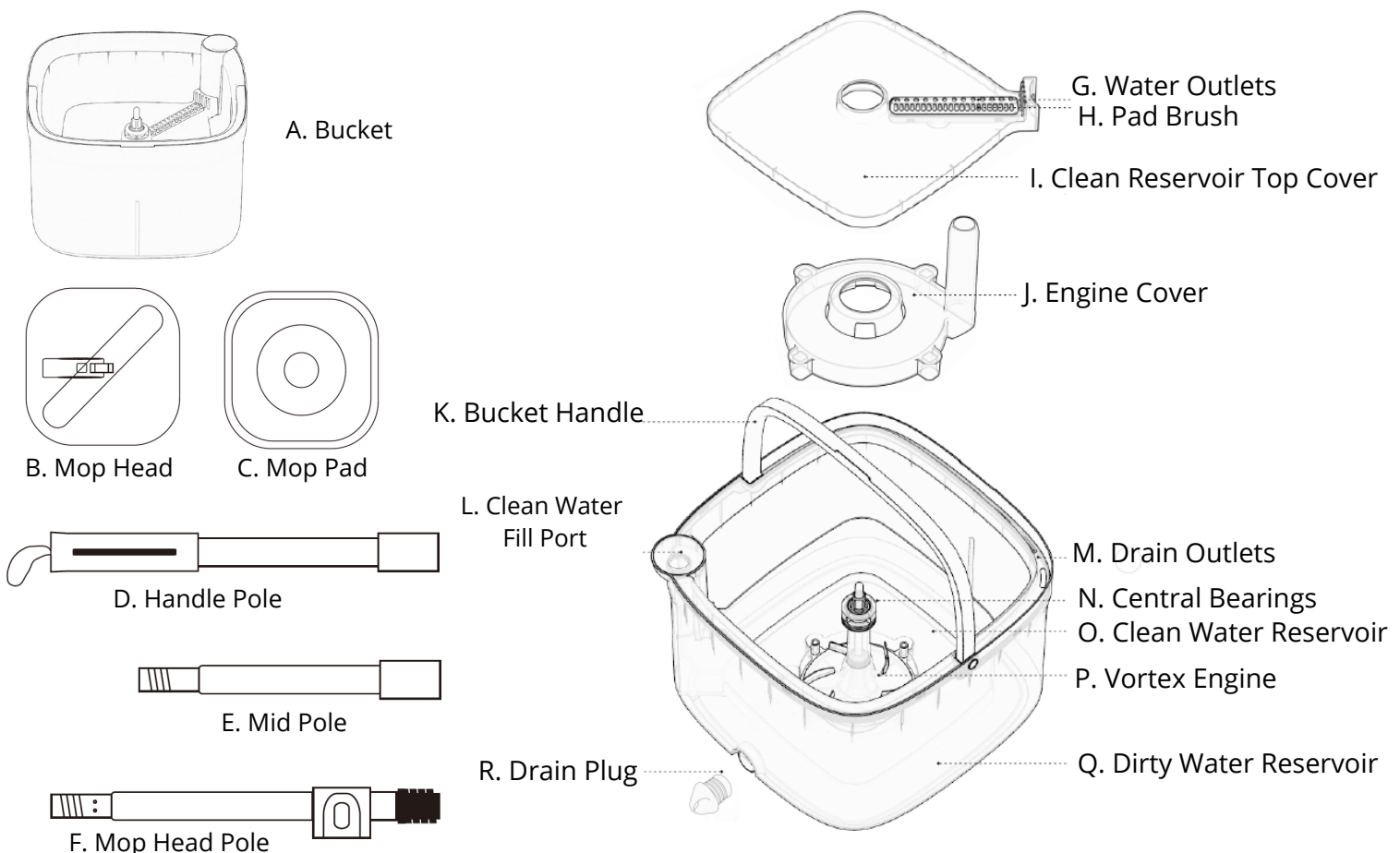
IMPORTANT SAFEGUARDS & INSTRUCTIONS

At True & Tidy, safe performance is our top priority with any consumer product, so that you can use and trust our products confidently. Please use and operate product with due care and attention placed on the following operating instructions and precautions.

- Carefully read all instructions before operating the **spin mop** for the first time.
- This appliance is not intended for use by children or persons with physical, mental or sensory capabilities, or lack of experience and knowledge without the supervision or instruction concerning the use of the appliance by a person responsible for their safety.
- Use **spin mop** on floor surfaces only. Do not allow any cleaning solution on people or pets.
- Ensure the **spin mop** is properly assembled before use.
- Only use attachments or accessories provided and specified in this instruction manual.
- Never use the **spin mop** without the mop pad.
- Store the **spin mop** indoors in a cool, dry place.
- Do not fill the water tank with hot water. Distilled or filtered water is strongly recommended.



PARTS & ACCESSORIES





ASSEMBLY INSTRUCTIONS

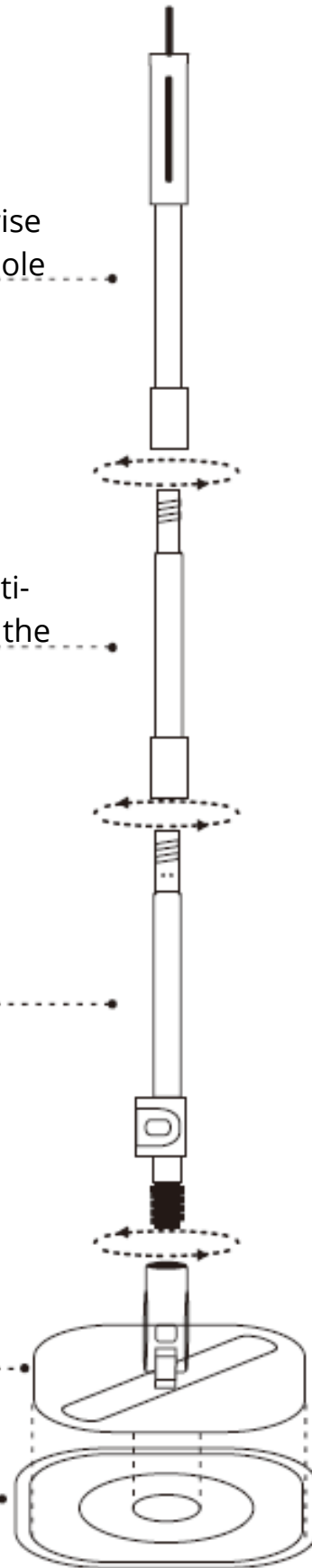
A. Turn the handle pole clockwise to tightly fasten onto the mid pole

B. Turn the mop head pole anti-clockwise to tightly fasten onto the mid pole

C. Turn the mop head anti-clockwise so it tightly fasten onto the pole

D. Align the mop head's Velcro within the mop pad's diameter

E. Use your feet to press on the mop head and the mop pad will adhere securely

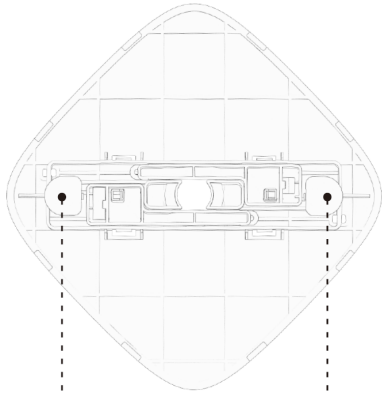


TIP: Purchase extra mop pads at www.trueandtidy.com

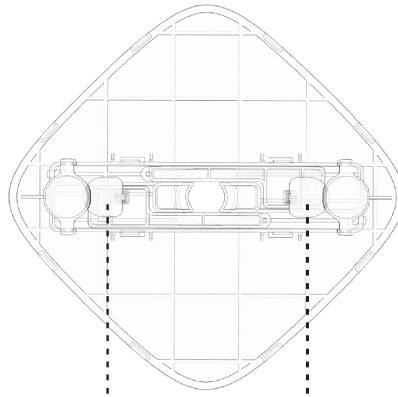


MOP PAD CLEANING INDICATORS & FILLING METHODS

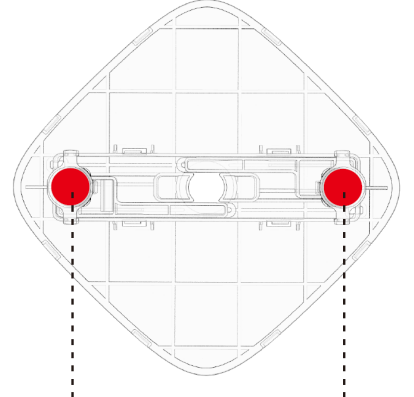
MOP PAD CLEANING INDICATORS



Mop Pad Cleaning Indicators



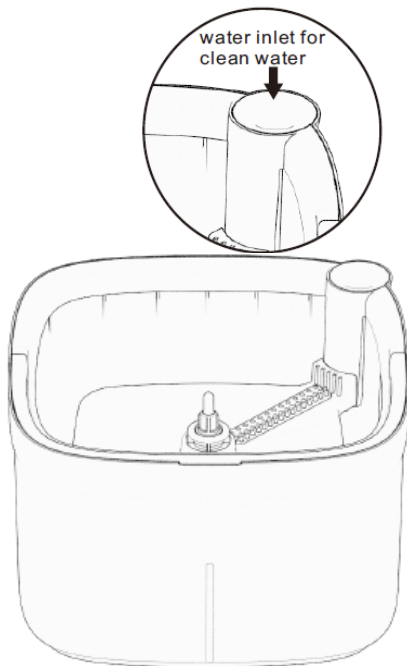
When the indicators don't appear while spinning, it signifies that the mop pad is absorbing clean water/solution



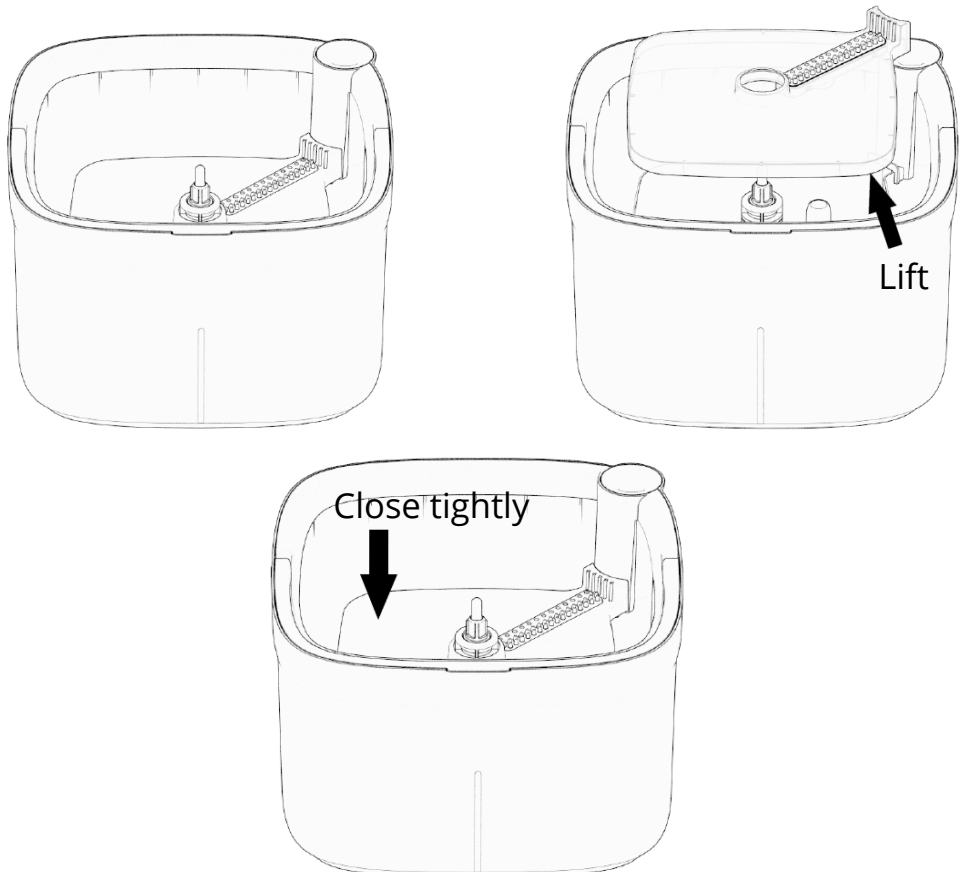
Once the mop spins fast enough to show 2 orange indicators, this signifies that the mop pad is being cleaned and dried

FILLING METHOD

Method A: Pour clean water directly into the clean water fill port

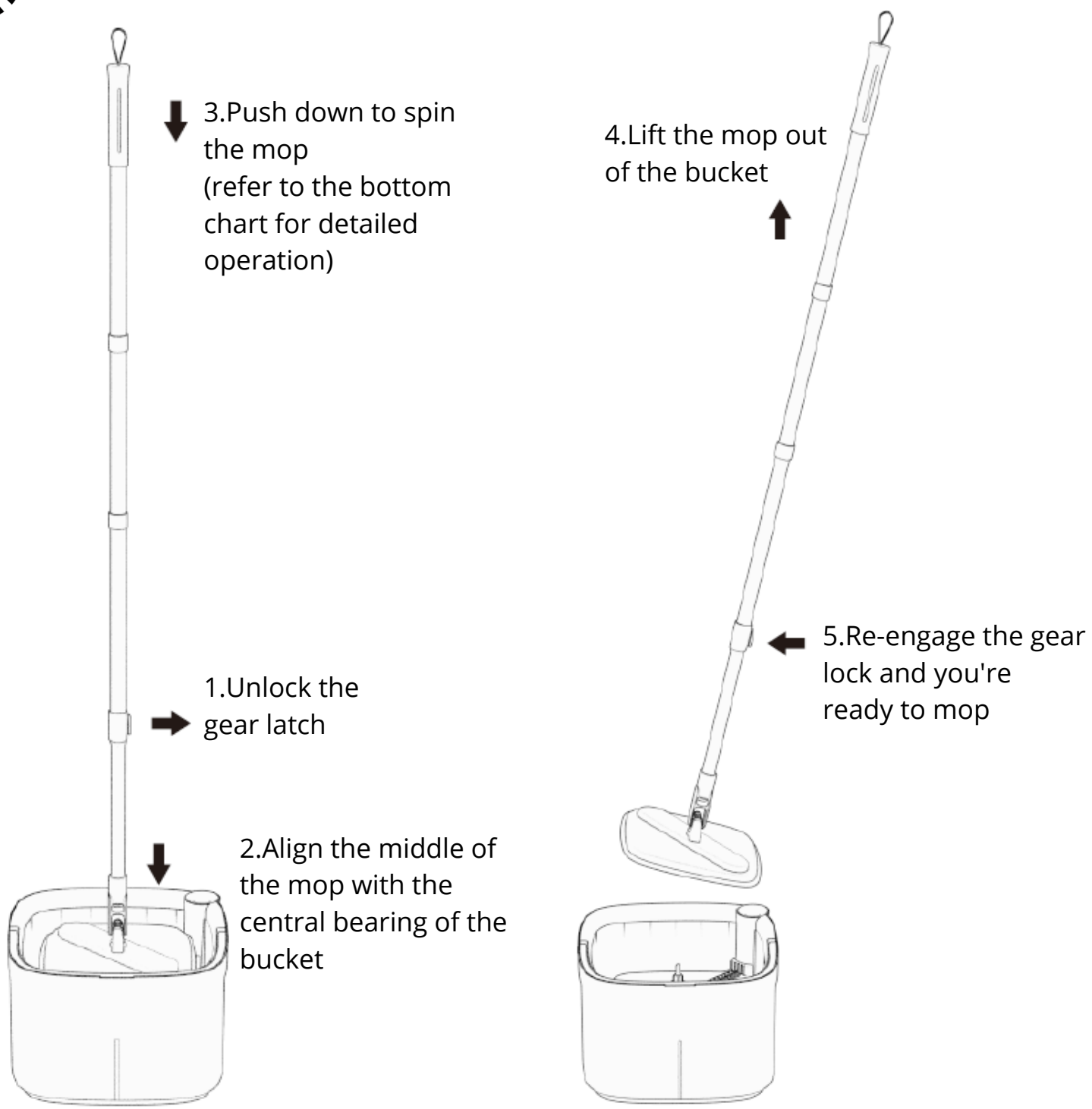


Method B: Lift the clear top cover and fill water directly into the reservoir underneath it, securely close the cover after filling.





USAGE INSTRUCTIONS - MOPPING



Spinning Speed	Function	Operations
Low	Wetting and moistening the mop pad	Continuously spin the mop at a <u>slow and gentle pace</u> . Suggested 4-5 times Orange indicator should not appear
High	Cleaning and drying the mop pad	<u>Rapidly</u> spin the mop. Suggested 15-18 times Orange indicators should appear

TIP: Purchase extra mop pads at www.trueandtidily.com

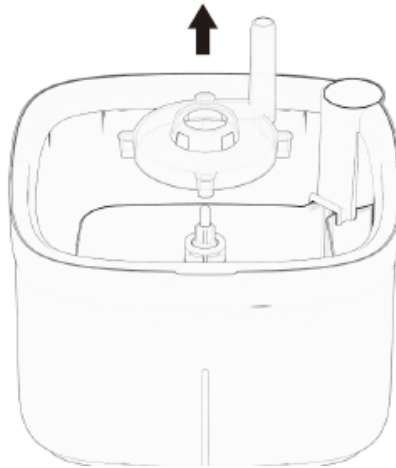


CARE & CLEANING

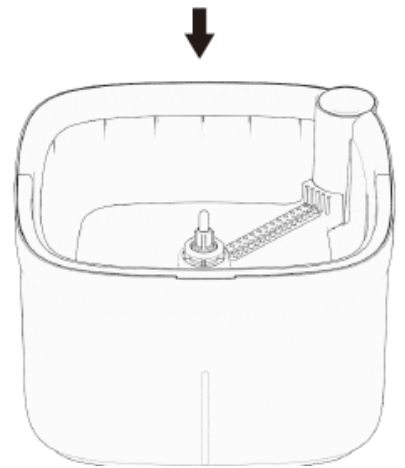
1. Remove the clean reservoir top cover



2. Remove the engine cover



3. Rinse down all the internal components and place back the parts



- Use the drain outlets or plug to discard of the used, dirty water
- To clean the outer surfaces of the spin mop, gently wipe down with a damp cloth
- Do not store the spin mop outdoors or in harsh conditions, store indoors in cool, dry place
- Microfiber mop pads are washable and reusable



TROUBLESHOOT

Problems	Solution
The pole is unstable and is sliding up and down in heights	Check the gear latch and make sure it is locked/re-engaged before mopping.
The mop is not spinning and a lot of force needed to spin the mop head	Recheck to make sure the gear latch has been unlocked/disengaged.
Mop head wiggles too much while spinning	Make sure the mop head is aligned properly with the central bearings.
Mop pad is not clean	<ol style="list-style-type: none"> 1. Make sure the mop head is aligned properly with the central bearings. 2. Sometime stubborn dirt/grimes still remains on the mop pad, spins slowly and let the mop pad absorb more water to loosen the dirt.



CONNECT WITH US

For cleaning tips, FAQ, customer service and replacement parts
www.trueandtidy.com
 1-888-293-3492
support@trueandtidy.com



www.trueandtidy.com



TrueandTidyHome



TrueandTidyHome



WARRANTY



TRUE & TIDY One Year Limited Warranty

True & Tidy warrants to the original purchaser of Brand New True & Tidy branded device or accessories shall be free from defects in materials and workmanship under normal use (as instructed in True & Tidy's device user manual) for a period of one (1) year from the date of purchase from True & Tidy or its authorized resellers.

If such a defect arises and a return authorization request is received by True & Tidy within the applicable Warranty Period, True & Tidy will, at its choice and to the extent permitted by law, either (1) repair the defective Product at no charge, using a new or refurbished replacement parts or (2) replace the defective product with a new or refurbished product. In the event of such a defect, to the extent permitted by law, these are your sole and exclusive remedies.

Shipping and handling charges may apply except where prohibited by applicable law. Any replacement product will be warranted for the remainder of the original warranty period or thirty (30) days, whichever is greater, or for any additional period of time that may be required by applicable law.

To obtain a repair or replacement under the terms of this warranty, contact customer service for return authorization. Please be sure to have your proof of purchase ready.

If you have any questions regarding this warranty, you may contact us through our website:
www.trueandtidy.com

Customers located outside of the continental US will be responsible for all international shipping charges for your return or replacement.



WARRANTY EXCLUSIONS AND LIMITATIONS

This Limited Product Warranty applies only to the original purchaser of the True & Tidy branded Product that was purchased from True & Tidy directly or True & Tidy's authorized reseller. Without limiting the foregoing, the Limited Product Warranty does not apply to any (a) True & Tidy products and services other than the Brand New True & Tidy branded products which are purchased directly from True & Tidy or from True & Tidy's authorized reseller, (b) non-True & Tidy products, even if included or sold with a Product, including, without limitation, any counterfeit products, (c) products that are, or True & Tidy reasonably believes to be, stolen, (d) consumables (such as cleaning pads). This Limited Product Warranty does not apply to third party products or accessories, including but not limited to products with the "Made for True & Tidy" or "Works with True & Tidy" logos or advertising.

This Limited Product Warranty does not apply to a product or part of a product that has been replaced, repaired, serviced, altered, refurbished or modified by anyone who is not authorized by True & Tidy, nor does it apply to any cosmetic damage such as scratches and dents. In addition, this Limited Product Warranty does not apply to damage or defects caused by (a) use with non-True & Tidy products such as non-True & Tidy steamer liquid; (b) accident, abuse, misuse, mishandling, flood, fire, earthquake or other external causes; (c) normal wear and tear or aging of the product such as discoloration of product; or (d) operating the product (i) outside the permitted or intended uses described by True & Tidy under True & Tidy's Product User Manual, (ii) not in accordance with instructions provided by True & Tidy, or (iii) with improper voltage or power supply, water or other add-on products.

No True & Tidy, authorized reseller, distributor, agent, reseller, or employee is authorized to make any modification, extension or addition to this Limited Product Warranty. If any term contained herein is held to be illegal, void or unenforceable, the legality or enforceability of the remaining terms shall not be affected or impaired.

If you have any questions regarding this warranty, you may contact us through our website:
www.trueandtidy.com



LIMITATION OF DAMAGES

Except to the extent prohibited by applicable law, True & Tidy shall not be liable for any incidental, indirect, special or consequential damages, including, without limitation, loss of profits, revenue, resulting from any breach of express or implied warranty or condition or under any other legal theory, even if True & Tidy has been advised of the possibility of such damages. True & Tidy warranty and liability is only limited to replacement of the defective item.