

# USER MANUAL

Please read all instructions  
carefully before using  
this product.

## QUICKSTEAM HAND HELD STEAMER

Model: HS-15



[www.salavusa.com](http://www.salavusa.com)

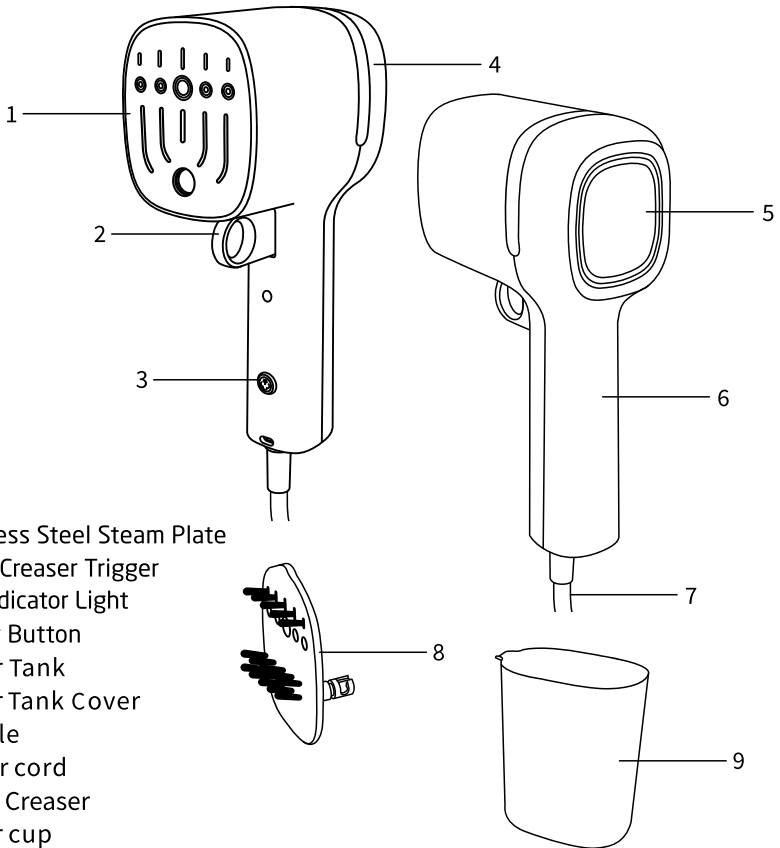
## **Dear Valued Customer**

Thank you for purchasing this SALAV product. Please read this manual prior to using your SALAV appliance. For more product information, FAQ and customer support please visit our website at [www.salavusa.com](http://www.salavusa.com).

### **Important Safety Instruction :**

1. Prior to first use, inspect all parts of the steamer to make sure all parts are intact. The steamer must not be used if it has been dropped, if there are visible signs of damage to the body or cord or if it is leaking.
2. DANGER - any appliance is electrically live even when the switch is off.
3. To reduce the risk of death by electric shock always unplug this steamer from the electrical outlet immediately after using and before cleaning.
4. Do not reach for an appliance that has fallen in to water. Unplug it immediately.
5. Do not immerse or let appliance be soaked in water. Do not use while bathing or in the shower.
6. This appliance is not a toy and should not be used by children. Close supervision is necessary when this appliance is used near children, or individuals with certain disabilities. Unsupervised use could result in fire or personal injury.
7. Never pull on the cord to disconnect from the electrical outlet; grasp plug and pull to disconnect.
8. To reduce the risk of electric shock, do not disassemble or attempt to repair the appliance; take it to a qualified service person for examination and repair, or call the appropriate toll free number in this manual. Incorrect reassembly or repair could cause a risk of fire, electric shock, or injury while steaming.
9. To reduce the likelihood of circuit overload, do not operate another high wattage appliance on the same circuit.
10. Use this appliance only for its intended use. Do not use attachments not specified in this manual.
11. If an extension cord is absolutely necessary, a cord with a 15 ampere rating should be used. A cord rated for less amperage can result in a risk of fire or electric shock due to overheating. Care should be taken to arrange the cord so that the cord cannot be pulled or tripped over.
12. While steam is being emitted, this appliance may cause burns if it is used too close to the skin, scalp or eyes, or if it is used incorrectly. To reduce the risk of contact with hot water emitting from steam vents, test appliance before each use by holding it away from body.
13. Burns can occur from touching steam output vents, hot water, or steam, Do not hold your hand in front of steam.
14. Do not direct steam at people, animals, plants or clothes while they are being worn.
15. Ensure the steamer is properly assembled before use.
16. Do not place the appliance in the same spot for more than 10 seconds to avoid damage from heavy heating.
17. Do not fill the water tank with hot water or corrosive cleaning agents. Distilled water is strongly recommended.

## PRODUCT COMPONENTS



## Product specification

---

Input Voltage: 120 V ~ 60Hz

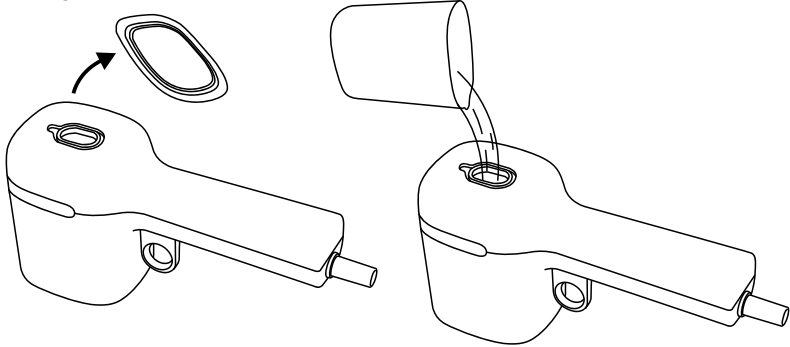
Output Power: 1000W

Water Tank Capacity: 110mL

Steam Preheating Time: 10 sec

## INSTRUCTIONS FOR USE

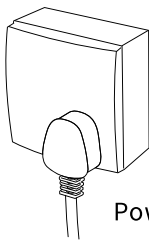
1. Open the water tank cover. Use the water cup to fill water into the tank and close.  
**WARNING:** Make sure water tank cover is securely closed before plugging in or operating the unit



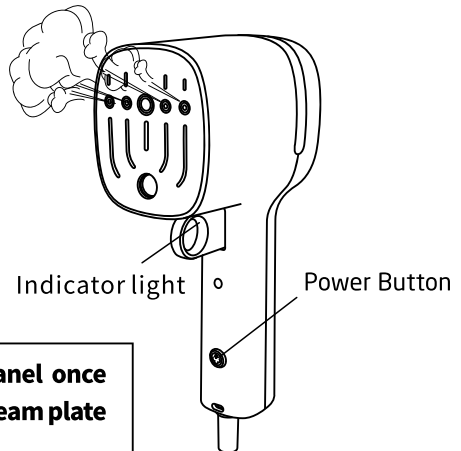
Warning

1. Do not over fill water to avoid spillage and leakage, please wipe clean with rag in case of spills.
2. Do not plug in or turn on the unit while filling with water; distilled water is strongly recommended to extend the life of this product.

2. Plug in the unit. Press the power button. The indicator light will turn on and the product will start to preheat. Once preheating is complete (approximately 10 seconds), the unit will begin to steam.



Power on



Warning

**Do not touch the steam panel once the product is turned on. Steam plate is hot.**

# STEAMING GUIDELINES

1. Do not linger in the same position for more than 5 seconds.
2. Do not use this product upside down. Use in an upright, vertical position or horizontal pressing position.
3. For best results, hold clothes taut with one hand while moving the steamer slowly over the fabric.

## Removing wrinkles on collar

Insert collar in between steam plate and brush creaser. Hold trigger and use to crease (See fig. 1)

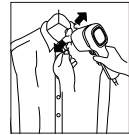


Fig 1

## Removing wrinkles on back collar

Steam using a horizontal, back and forth motion (See fig. 2)

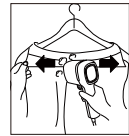


Fig 2

## Removing wrinkles on front of shirt

Steam using a vertical, up and down motion (See fig. 3)

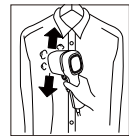


Fig 3

## Removing wrinkles on sleeves

Hold the sleeve with one hand and move the steamer across the sleeve. (See fig.4)

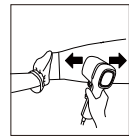


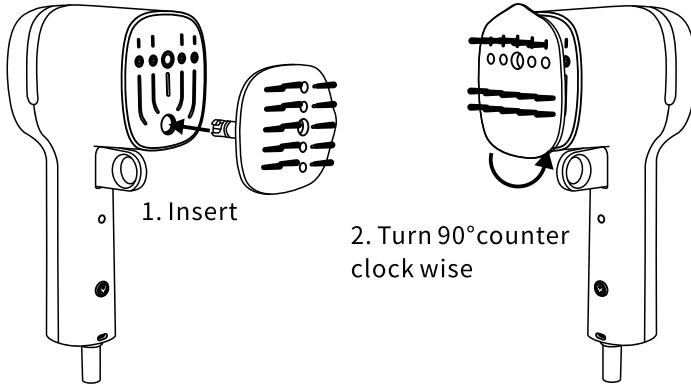
Fig 4

**NOTE:** Please wear heat resistant mittens on the hand holding the clothes during steaming to protect from hot steam.

## ACCESSORY GUIDE

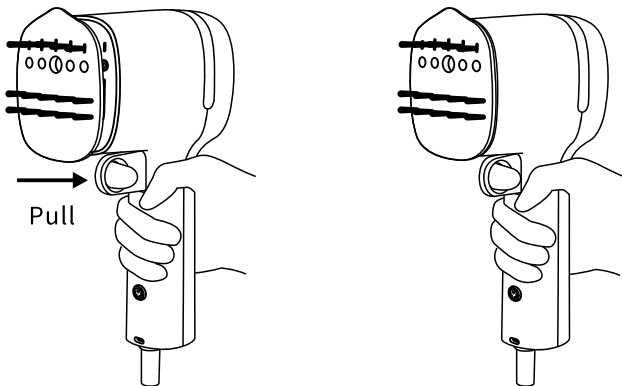
1. Insert the brush creaser onto the steam panel using the angle as shown in the figure. Turn the brush creaser 90° counter clockwise to lock it onto the steam panel.

NOTE: There will be some space left between the steam plate and the brush creaser after assembly.



- 1. Do not insert or remove brush creaser while the product is plugged in or turned on.**
- 2. Make sure the product is unplugged and cooled down before assembling or removing brush creaser.**

2. Pull the brush creaser trigger to secure the garment between the brush creaser and stainless steel plate.



## Caution:

1. The steam from the steamer can reach a high temperature of 210°F. Do not leave the unit steaming in one spot for a long time.
2. Before putting the steamer away for storage, continue to steam until no steam is spraying out of the nozzle. Be sure the steamer is completely cooled down and turned off before storing. (Approximately 30 mins)

## CLEANING AND MAINTENANCE

1. If the appliance shows visible damage or if the power cord is damaged, please contact customer service for help and maintenance. Do not try to disassemble or repair.
2. Please pull out the plug and wait until the appliance is completely dry and cooled down before cleaning and/or storing.
3. Do not place the appliance in water. Use a cloth to clean the steamer and steam plate.

## TROUBLE SHOOTING

Problem	Reason	Solution
Unit fails to steam. Indicator light does not illuminate	The appliance is not plugged in	Connect the plug to the power supply
	The household power fuse is off or fused	Check the power supply or ask qualified electricians for help
Unit fails to steam. Indicator light illuminates	There is no water in the tank	Add water to the max line
	Temperature controller is not working	Add water to cool the temperature controller down before steaming again
	Unit is scaled and needs to be decalcified	Add a descaling solution of 1/2 distilled water and 1/2 distilled vinegar to the water tank and turn on the steamer until solution is used. Refill the tank with distilled or filtered water and allow it to steam through the unit before steaming garments.
Water droplets appear on steam nozzle	Internal condensation is produced	Continue to use the steamer to evaporate the water until water droplets stop appearing
Water sprays from the steam panel	Water exceeds the tank's maximum water level	Pay attention to the amount when adding water. Do not fill past the MAX line. If overfilled, remove the water tank cover and remove excess water.

## **Warranty exclusions and limitations**

This Limited Product warranty applies only to the original purchaser of the SALAV branded product that was purchased from SALAV directly or SALAV's authorized reseller. Without limiting the foregoing, the Limited Product Warranty does not apply to any (a) SALAV products and services other than the Brand New SALAV branded products which are purchased directly from SALAV or from SALAV's authorized reseller, (b) non-SALAV products, even if included or sold with a Product, including, without limitation, any counterfeit products, (C) products that are, or SALAV reasonably believes to be, stolen, (d) consumables (such as cleaning pads). This Limited Product Warranty does not apply to third party products or accessories, including but not limited to products with the "Made for SALAV" or "Works with SALAV" logos or advertising.

This Limited Product Warranty does not apply to a product or part of a product that has been replaced, repaired, serviced, altered, refurbished or modified by anyone who is not authorized by SALAV, nor does it apply to any cosmetic damage such as scratches and dents. In addition, this Limited Product Warranty does not apply to damage or defects caused by (a) use with non-SALAV products such as non-SALAV steamer liquid; (b) accident, abuse, misuse, mishandling, flood, fire, earthquake or other external causes; (c) normal wear and tear or aging of the product such as discoloration of product; or (d) operating the product (i) outside the permitted or intended uses described by SALAV under SALAV's Product User Manual, (ii) not in accordance with instructions provided by SALAV, or (iii) with improper voltage or power supply, water or other add-on products.

No SALAV, authorized reseller, distributor, agent, reseller, or employee is authorized to make any modification, extension or addition to this Limited Product Warranty. If any term contained herein is held to be illegal, void or unenforceable, the legality or enforceability of the remaining terms shall not be affected or impaired.

If you have any questions regarding this warranty, you may contact us through our website:  
[www.salavusa.com](http://www.salavusa.com)

## **Limitation of Damages**

Except to the extent prohibited by applicable law, SALAV shall not be liable for any incidental, indirect, special or consequential damages, including, without limitation, loss of profits, revenue, resulting from any breach of express or implied warranty or condition or under any other legal theory, even if SALAN has been advised of the possibility of such damages.

SALAV warranty and liability is only limited to replacement of the defective item.



Visit our website to find product tips, customer support and learn about SALAV patented steam technology.

1 (855) 725-2887

[support@salavusa.com](mailto:support@salavusa.com)

[www.salavusa.com](http://www.salavusa.com)



[SALAVNorthAmerica](https://www.facebook.com/SALAVNorthAmerica)



[salavusa](https://www.instagram.com/salavusa)