

USER MANUAL

Please read all instructions
carefully before using
this product.

DUOPRESS HANDHELD GARMENT STEAMER + IRON

Model: HS-100



www.salavusa.com

DEAR VALUED CUSTOMER

Thank you for purchasing this SALAV product. Please read this manual prior to using your SALAV appliance. For more product information, FAQ, and customer support, please visit our website www.salavusa.com

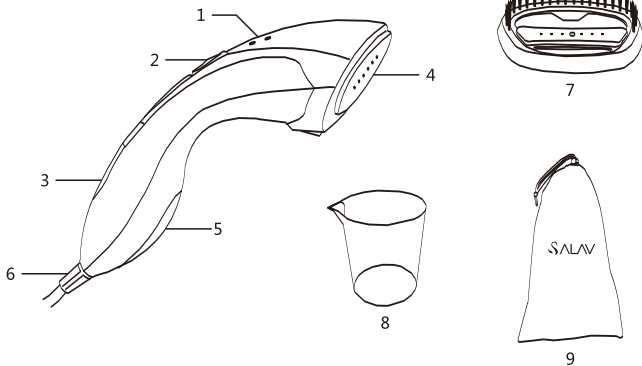
IMPORTANT SAFETY INSTRUCTIONS

1. The voltage of your electrical source must correspond to that of the appliance(120V/60Hz). Connecting to the incorrect voltage may cause unreparable damage to the appliance and will invalidate the warranty.
2. Do not share power supply with other high-powered electric appliances.
3. To reduce the risk of electric shock, do not immerse the appliance, plug, or power cord in water or other liquids.
4. Do not leave this appliance unattended while it is in operation.
5. Fill water before use and observe the water level during use.
6. Do not operate the appliance if cord is damaged.
7. Never yank the power cord to disconnect from power outlet. Always grasp the plug and pull to disconnect.
8. Do not use outdoors.
9. Do not fill the water tank with hot water or corrosive cleaning agents which could cause damage. Distilled or filtered water is strongly recommended.
10. Burns can occur from touching the hot plate, hot water, or steam. To reduce the risk of contact with the hot steam emitting from the steam nozzle, check the appliance before each use by holding it away from the body and operating steam button.
11. When in use, this appliance will spray hot steam from its steam nozzle. To avoid injury from hot steam, do not aim the steam nozzle at people or pets.
12. Only use SALAV accessories on your SALAV appliance. The use of accessory attachments other than those provided by SALAV may result in fire, electric or irreversible damage to the appliance.
13. Be cautious when installing or removing accessories. Make sure the unit is off to avoid burns from hot water.
14. This appliance is not intended for use by children or near children and other persons whose physical, sensory, mental capabilities, or lack of experience and knowledge prevents them from using the appliance safely without supervision or instruction by a responsible person.
15. Let the appliance cool completely before putting the unit away. Loop cord loosely around the appliance for storage.

CAUTION:

1. Do not leave steam iron unattended while it is connected to electrical outlet.
2. Always turn off and unplug unit before refilling, draining, cleaning, moving or when not in use.

COMPONENTS



1. Steam/Iron light indicator
2. Steam/Iron control switch
3. Water tank cap
4. Ceramic-coated ironing plate
5. Translucent water tank
6. Power cord cover
7. Fabric brush
8. Measuring cup
9. Travel bag

PRODUCT SPECIFICATIONS

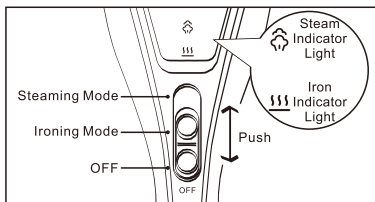
Input Voltage: 120V/60Hz

Output Power: 1150W

Water Tank Capacity: 150ml

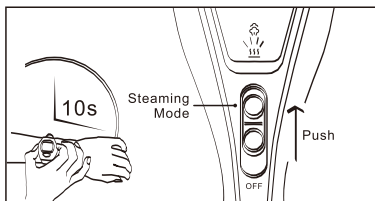
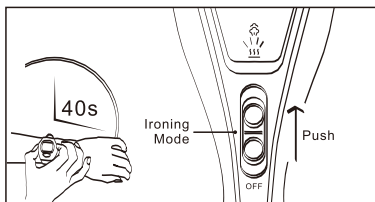
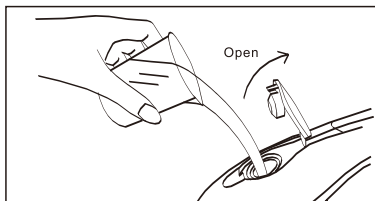
FUNCTIONS

Choose desired modes; Steaming or Ironing, for your various types of fabric.



INSTRUCTIONS FOR USE

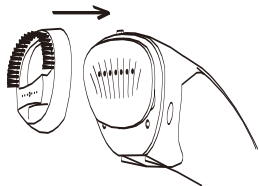
1. Set appliance horizontally and open the water tank cap.
2. Fill water to max level on measuring cup and pour into integrated water tank. (WARNING: Do not overfill water or it will affect normal use of steam iron. Purified or distilled water is recommended for use to extend the life of the appliance.)
3. Close the water tank cap after filling the water.
4. Please use rated voltage.
5. Plug in cord and push to middle for Ironing Mode. The Ironing light will flash indicating heating. After 40 seconds, the ironing light indicator will stop flashing and steam iron is ready for Ironing Mode.
6. Push upwards for Steaming Mode. The steaming light indicator will turn on. After 10 seconds, hot steam will come out and the appliance is ready for steaming. (WARNING: If you push to Steaming Mode at start-up after plugging in the unit, steam will start after 50 seconds.)



INSTALLATION AND DISASSEMBLY OF FABRIC BRUSH

1. Installation of fabric brush

- 1.1 Turn off the appliance, wait until steam stops and appliance cools down completely.
- 1.2 Attach the fabric brush to the nozzle and lock in place.



2. Disassembly of fabric brush

- 2.1 Turn off the appliance, wait until steam stops and appliance cools down completely.
- 2.2 Hold both sides of the fabric brush and remove gently.

WARNING

To avoid burns and other damages, please do not install the fabric brush while the appliance is on. Please install fabric brush before use or when the appliance is cooled down completely.

CAUTION

1. The high temperature steam from the steamer can reach 320°F. Do not leave the nozzle steaming on one spot for a long time to avoid damage to the garment.
2. When the steam iron is not in use, continue to let the steam run until the water tank runs out of water and no steam is coming out from the nozzle, then turn off and unplug the steamer. (If the steam iron is turned off while the nozzle is still spraying steam, it may cause injury since there is still water left in the heater).
3. Before putting the steamer away for storage, continue to steam until no steam is spraying out of the nozzle. Be sure the steamer is completely cooled down. (Approximately 30 mins).

CLEANING AND MAINTENANCE

1. If the appliance shows visible damage or if the power cord is damaged, please return it to the service center for maintenance. Do not try to disassemble or repair by yourself.
2. Please pull out the plug and wait until the appliance is completely cooled down before cleaning it.
3. Continue to let the steam out until the water tank is empty.
4. Do not place the appliance in water. Use dry cloth to dry the steamer. No special detergent is needed for cleaning.
5. Make sure the appliance is dry and cool before storing or packaging.

TROUBLESHOOTING

PROBLEM	REASON	SOLUTION
Unit fails to steam, light indicator does not illuminate.	The appliance is not plugged in.	Connect the plug to the power supply.
	The household power fuse is off or fused.	Check the power supply or ask qualified electricians for help.
Unit fails to steam, light indicator illuminates.	The water in the tank has been used up.	Add water.
	Temperature controller is not working.	Add water to cool temperature controller down before it works again.
Water drops on steam nozzle.	Internal condensation is produced.	Continue to use the steamer to evaporate the internal condensation water until water drops stop appearing.
Water sprays from the steam panel.	The water exceeds the tank's maximum water level.	Pay attention to the amount when adding water.
	Wrong ironing operations.	Use it according to the operation instructions.

Visit our website to find product tips, customer support and learn about SALAV patented steam technology.



www.salavusa.com



facebook.com/salavnorthamerica



Instagram.com/salavusa