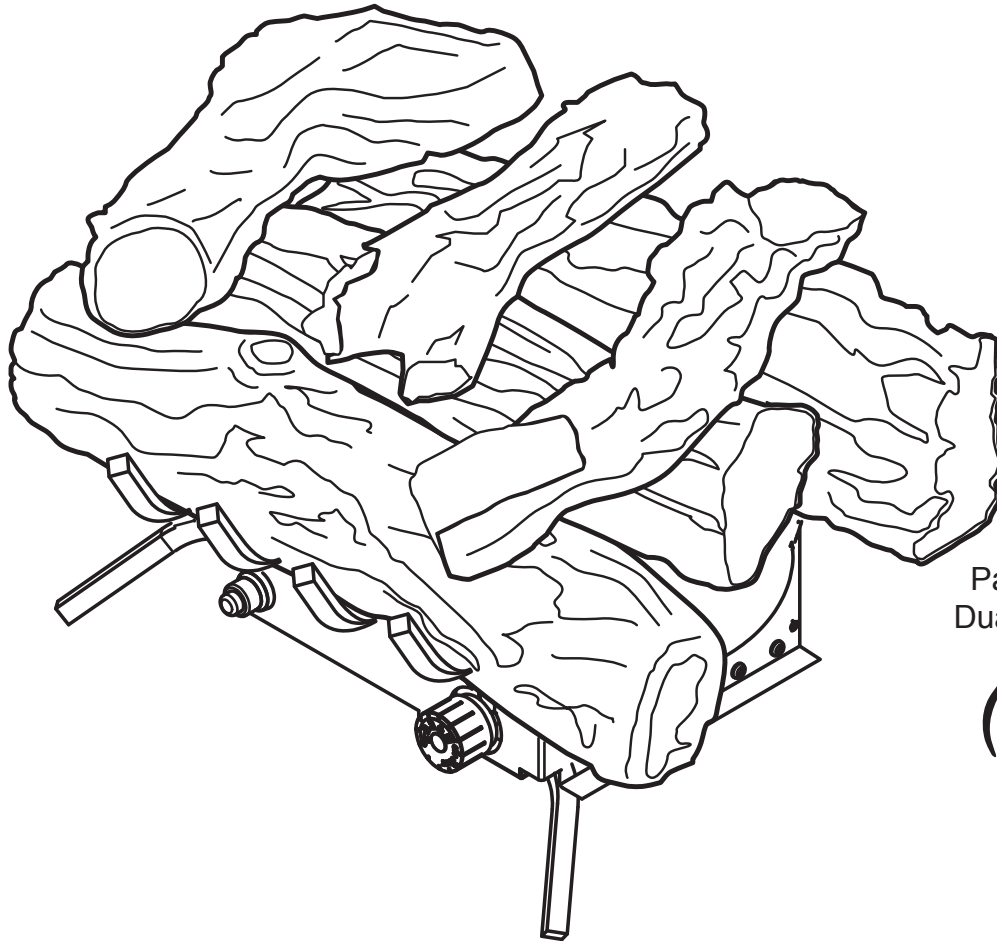


Pleasant Hearth®

VENT-FREE GAS LOG SET

MODEL # VFL3-SO18DT
VFL3-EO18DT
VFL3-SO24DT
VFL3-WW24DT
VFL3-RW24DT



Patent Pending
Dual Fuel System



Dual Fuel



US

ANS Z21.11.2 2019

INSTALLER: Leave this manual with the appliance.
CONSUMER: Retain this manual for future reference.

⚠ WARNING: This appliance is equipped for (Natural and Propane) gas. Field conversion is not permitted other than between natural or propane gases.



Questions, problems, missing parts? Before returning to your retailer, call our customer service department at 1-877-447-4768, 8:30 a.m. – 4:30 p.m., CST, Monday – Friday or email us at customerservice@ghpgroupinc.com.

TABLE OF CONTENTS

Product Specifications	2
Safety Information	3
Package Contents	6
Product Features	7
Preparing for Installation.....	8 -10
Installation	11 - 21
Unpacking.....	16
Assembly Instructions.....	22 - 24
Operation.....	25 - 37
Care and Maintenance	28 - 29
Troubleshooting	30 - 32
Replacement Parts.....	33
Warranty	34

PRODUCT SPECIFICATIONS


ITEM	VFL3-SO18DT VFL3-EO18DT		VFL3-SO24DT VFL3-WW24DT VFL3-RW24DT	
Input Rating	30,000 BTU/Hr		30,000 BTU/Hr	
Minimum Input Rating	15,000 BTU/Hr	24,000 BTU/Hr	15,000 BTU/Hr	24,000 BTU/Hr
Gas Type	Natural	Propane	Natural	Propane
Ignition	Electronic Push Button	Electronic Push Button	Electronic Push Button	Electronic Push Button
Manifold Pressure	5 in. W.C.	10 in. W.C.	5 in. W.C.	10 in. W.C.
Inlet Gas Pressure *For purposes of input adjustment				
Maximum	14 in. W.C.	14 in. W.C.	14 in. W.C.	14 in. W.C.
Minimum*	6 in. W.C.	11 in. W.C.	6 in. W.C.	11 in. W.C.

SERVICE HINTS

When Gas Pressure Is Too Low:

- Pilot will not stay lit
- Burners will have delayed ignition
- Heaters will not produce specified heat
- For propane/LP units, propane/LP gas supply may be low
- You may feel your gas pressure is too low. If so, contact your local natural or propane/LP gas supplier.

 **CAUTION - FOR YOUR SAFETY**

 **WARNING: IF THE INFORMATION IN THIS MANUAL IS NOT FOLLOWED EXACTLY, A FIRE OR EXPLOSION MAY RESULT CAUSING PROPERTY DAMAGE, PERSONAL INJURY OR LOSS OF LIFE.**

- Do not store or use gasoline or other flammable vapors and liquids in vicinity of this or any other appliance.


WHAT TO DO IF YOU SMELL GAS


- Do not try to light any appliance.
 - Do not touch any electrical switch; do not use any phone in your building.
 - Immediately call your gas supplier from a neighbor's phone. Follow the gas supplier's instructions.
 - If you cannot reach your gas supplier, call the fire department.
- Installation and service must be performed by a qualified installer, service agency or the gas supplier.

This is an unvented gas-fired heater. It uses air (oxygen) from the room in which it is installed. Provisions for adequate combustion and ventilation air must be provided. Refer to Air For Combustion and Ventilation section on page 8 of this manual.

This appliance may be installed in an aftermarket, permanently located manufactured (mobile) home, where not prohibited by local codes. This appliance is only for use with propane or natural gas. This appliance is equipped with a simple means to switch between propane and natural gas. Field conversion by any other means including the use of a kit is not permitted.

 The Installation instructions for an appliance for installation on combustible flooring shall specify that when the appliance is installed directly on carpeting, tile or other combustible material, other than wood flooring, the appliance shall be installed on a metal or wood panel extending the full width and depth of the appliance.

 **WARNING: Read the Installation & Operating Instructions before using this appliance.**
IMPORTANT: Read all instructions and warnings carefully before starting installation. Failure to follow these instructions may result in possible injury to persons or a fire hazard and will void the warranty.

 **WARNING: Do not attempt to access or change the setting of the fuel selection means. Access to and adjustment of the fuel selection means must only be performed by a qualified service person when connecting this appliance to a specified fuel supply at the time of installation.**
Change of the selector setting to other than the fuel type specified at the time of installation could damage this appliance and render it inoperable.
The installer shall replace the access cover before completing the installation and operating this appliance.

SAFETY INFORMATION


IMPORTANT: Read this owner's manual carefully and completely before trying to assemble, operate, or service this heater. Improper use of this heater can cause serious injury or death from burns, fire, explosion, electrical shock, and carbon monoxide poisoning.


WARNING: FIRE, EXPLOSION, AND ASPHYXIATION HAZARD

Improper adjustment, alteration, service, maintenance, or installation of this heater or its controls can cause death or serious injury.

Read and follow instructions and precautions in User's Information Manual provided with this heater.

Only a qualified installer, service agent, or local gas supplier may install and service this product.

 **WARNING:** Do not store or use gasoline or other flammable vapors or liquids in the vicinity of this or any other appliance.

 **WARNING:** This appliance can be used with propane or natural gas. It is shipped from the factory adjusted for use with propane.

CARBON MONOXIDE POISONING: Early signs of carbon monoxide poisoning resemble the flu with headaches, dizziness, or nausea. If you have these signs, the heater may not be working properly. Get fresh air immediately! Have heater serviced. Some people are more affected by carbon monoxide than others. These include pregnant women, people with heart or lung disease, people who are anemic, those under the influence of alcohol, and those living in high altitudes.

NATURAL AND PROPANE/LP GAS: Natural and Propane/LP gases are odorless. An odor-making agent is added to the gas. The odor helps you detect a gas leak. However, the odor added to the gas can fade. Gas may be present even though no odor exists. Make certain you read and understand all warnings. Keep this manual for reference. It is your guide to operating this heater safely.

WARNING:

- Due to high temperatures, locate this appliance out of traffic and away from furniture and draperies.
- Heater becomes very hot when operating. Keep children and adults away from hot surfaces to avoid burns or clothing ignition. Heater will remain hot for a time after shutoff. Allow surfaces to cool before touching.
- Carefully supervise young children when they are in the room with the heater.
- Do not place clothing or other flammable material on or near the appliance. Never place any objects in the heater.
- Installation and repair should be done by a qualified service person. The appliance should be inspected before use and at least annually by a professional service person. More frequent cleaning may be required due to excessive lint from carpeting, bedding material, etc. It is imperative that control compartments, burners and circulating air passageways of the appliance be kept clean.
- Any change to this heater or its controls can be dangerous.
- Do not use any accessories not approved for use with this heater.
- Keep the appliance clear and free from combustible materials, gasoline, and other flammable vapors and liquids.
- This appliance is intended for supplemental heating.

SAFETY INFORMATION

WARNING

This product and the fuels used to operate this product (liquid propane or natural gas), and the products of combustion of such fuels, can expose you to chemicals including benzene, which is known to the State of California to cause cancer and birth defects or other reproductive harm.

For more information go to www.p65Warnings.ca.gov

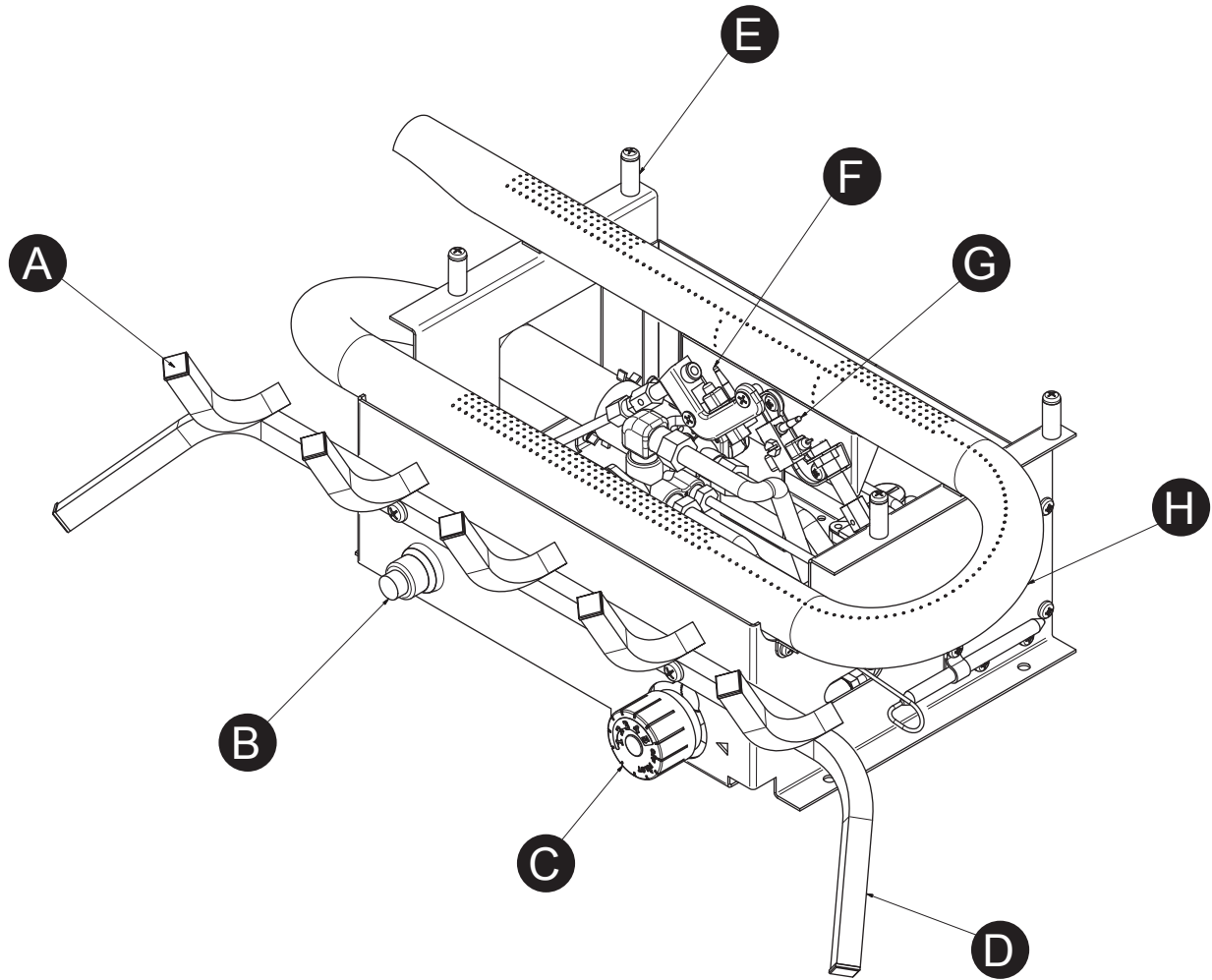
1. This appliance is only for use with the type of gas indicated on the rating plate. This appliance is not convertible for use with other gases.
2. Do not place propane/LP supply tank(s) inside any structure. Locate propane/LP supply tank(s) outdoors.
3. If you smell gas
 - Shut off gas supply.
 - Do not try to light any appliance.
 - Do not touch any electrical switch; do not use any phone in your building.
 - Immediately call your gas supplier from a neighbor's phone. Follow the gas supplier's instructions.
 - If you cannot reach your gas supplier, call the fire department.
4. This heater shall not be installed in a bedroom or bathroom.
5. Do not use this heater as a wood-burning heater. Use only the logs provided with the heater.
6. Do not add extra logs or ornaments such as pine cones, vermiculite or rock wool. Using these added items can cause sooting. Do not add lava rock inside the heater; only around the outside of the heater.
7. This heater is designed to be smokeless. If logs ever appear to smoke, turn off heater and call a qualified service person. Note: During initial operation, slight smoking could occur due to log curing and heater burning manufacturing residues.
8. To prevent the creation of soot, follow the instructions in Cleaning and Maintenance, page 28 - 29.
9. Before using furniture polish, wax, carpet cleaner or similar products, turn heater off. If heated, the vapors from these products may create a white powder residue within burner box or on adjacent walls or furniture.
10. This heater needs fresh air ventilation to run properly. This heater has an Oxygen Depletion Sensing (ODS) safety shutoff system. The ODS shuts down the heater if not enough fresh air is available. See Air for Combustion and Ventilation, page 8. If heater keeps shutting off, see Troubleshooting, page 30.
11. Do not run heater
 - Where flammable liquids or vapors are used or stored.
 - Under dusty conditions.
12. Do not use this heater to cook food or burn paper or other objects.
13. Never place any objects in the heater or on logs.
14. Do not use heater if any part has been under water. Immediately call a qualified service technician to inspect the room heater and to replace any part of the control system and any gas control which has been under water.
15. Turn off and unplug heater and let cool before servicing. Only a qualified service person should service and repair heater.
16. Operating heater above elevations of 4,500 feet could cause pilot outage.
17. Do not operate heater if log is broken. Do not operate heater if log is chipped (dime-sized or larger).
18. To prevent performance problems, do not use propane/LP fuel tank of less than 100 lb. capacity.
19. Provide adequate clearances around air openings.

QUALIFIED INSTALLING AGENCY

Only a qualified agency should install and replace gas piping, gas utilization equipment or accessories, and repair and equipment servicing. The term "qualified agency" means any individual, firm, corporation, or company that either in person or through a representative is engaged in and is responsible for:

- a) Installing, testing, or replacing gas piping or
- b) Connecting, installing, testing, repairing, or servicing equipment; that is experienced in such work; that is familiar with all precautions required; and that has complied with all the requirements of the authority having jurisdiction.

PACKAGE CONTENTS



Item	Description
A	Grate Cap
B	Battery Ignitor
C	Thermostatic Control Valve
D	Grate
E	Log Locator Pins
F	NG ODS Pilot
G	LP ODS Pilot
H	Burner Tube

PRODUCT FEATURES

This log set has been tested and approved to ANS Z21.11.2 2019 standard for Unvented Heaters and can be operated with the flue damper closed. State and local codes in some areas prohibit the use of vent-free heaters.

DUAL FUEL CAPABILITY

Your heater is equipped to operate on either propane or natural gas. The heater is shipped from the factory ready for connecting to propane. The heater can easily be changed to natural gas by having your qualified installer follow the instructions on page 17 and the markings on the heater.

SAFETY PILOT

This heater has a pilot with an Oxygen Depletion Sensing (ODS) safety shutoff system. The ODS/pilot shuts off the heater if there is not enough fresh air and cuts off main burner gas in the event of flame out.

ELECTRIC PUSH BUTTON IGNITION SYSTEM

This heater is equipped with an Electronic Push Button control system. This system requires one AAA battery (provided).

THERMOSTAT HEAT CONTROL

The control automatically cycles the burner on and off to maintain a desired room temperature (See page 26).

State of Massachusetts: The installation must be made by a licensed plumber or gas fitter in the Commonwealth of Massachusetts. Sellers of unvented propane or natural gas-fired supplemental room heaters shall provide to each purchaser a copy of 527 CMR 30 upon sale of the unit.

In the State of Massachusetts, unvented propane or natural gas-fired space heaters shall be prohibited in bedrooms and bathrooms.

In the State of Massachusetts the gas cock must be a T-handle type. The State of Massachusetts requires that a flexible appliance connector cannot exceed three feet in length.

LOCAL CODES

Install and use heater with care. Follow all codes. In the absence of local codes, use the latest edition of The National Fuel Gas Code, ANSI Z223.1, also known as NFPA 54*.

*Available from:

American National Standard Institute, Inc.
1430 Broadway
New York, NY 10018

National Fire Protection Association, Inc.
1 Batterymarch Park
Quincy, MA 02269-9101

This heater is designed for vent-free operation. State and local codes in some areas prohibit the use of vent-free heaters.

The installation of appliances designed for manufactured home (U.S. only) or mobile home installation must conform with the Standard CAN/CSA Z240 MH, Mobile Housing, in Canada, or with the Manufactured Home Construction and Safety Standard, Title 24 CFR, Part 3280, in the United States, or when such a standard is not applicable, ANSI/NCSBCS A225.1/NFPA 501A, Manufactured Home Installations Standard.

PREPARING FOR INSTALLATION

WATER VAPOR: A BY-PRODUCT OF UNVENTED ROOM HEATERS

Water vapor is a by-product of gas combustion. An unvented room heater produces approximately one (1) ounce (30 mL) of water for every 1,000 BTUs (.3 kw) of gas input per hour. An unvented room heater is recommended as a supplemental heater (a room) rather than a primary heat source (an entire house). In most supplemental heat applications, the water vapor does not create a problem. In most applications, the water vapor enhances the low humidity atmosphere experienced during cold weather.

The following steps will help ensure that water vapor does not become a problem:

1. Be sure the heater is the proper size for the application, including adequate combustion air and circulation air.
2. If there is high humidity, a dehumidifier may be used to help lower the water vapor content of the air.
3. Do not use an unvented room heater as the primary heat source.

AIR FOR COMBUSTION AND VENTILATION

This heater shall not be installed in a room or space unless the required volume of indoor combustion air is provided by the method described in the ***Nation Fuel Gas Code, ANSI Z223.1/NFPA 54***, the ***International Fuel Gas Code***, or applicable local codes.

PRODUCING ADEQUATE VENTILATION

All spaces in homes fall into one of the three following ventilation classifications:

1. Unusually Tight Construction
2. Unconfined Space
3. Confined Space

The information on pages 8-10 will help you classify your space and provide adequate ventilation.

Confined and Unconfined Space

A confined space as a space whose volume is less than 50 cu. ft. per 1,000 BTU/hr (4.8 m³ per kw) of the aggregate input rating of all appliances installed in that space and an unconfined space as a space whose volume is not less than 50 cu. ft. per 1,000 BTU/hr (4.8 m³ per kw) of the aggregate input rating of all appliances installed in that space. Rooms connecting directly with the space in which the appliances are installed*, through openings not furnished with doors, are considered a part of the unconfined space.

This heater shall not be installed in a confined space or unusually tight construction unless provisions are provided for adequate combustion and ventilation air.

* Adjoining rooms are connecting only if there are doorless passageways or ventilation grills between them.

Unusually Tight Construction

The air that leaks around doors and windows may provide enough fresh air for combustion and ventilation. However, in buildings of unusually tight construction, you must provide additional fresh air.

Unusually tight construction is defined as construction where:

- a) walls and ceilings exposed to the outside atmosphere have a continuous water vapor retarder with a rating of one perm (6x10⁻¹¹kg per pa-sec-m²) or less with openings gasketed or sealed and
- b) weather stripping has been added on windows that can be opened and on doors and
- c) caulking or sealants are applied to areas such as joints around window and door frames, between sole plates and floors, between wall-ceiling joints, between wall panels, at penetrations for plumbing, electrical, and gas lines, and at other openings.

If your home meets all of the three criteria above, you must provide additional fresh air. See "Ventilation Air From Outdoors" (page 10). If your home does not meet all of the three criteria above, proceed to "Determining Fresh-Air Flow For Heater Location".

PREPARING FOR INSTALLATION

DETERMINING FRESH-AIR FLOW FOR HEATER LOCATION

Determining if You Have a Confined or Unconfined Space

Use this worksheet to determine if you have a confined or unconfined space.

Space: Includes the room in which you will install heater plus any adjoining rooms with doorless passageways or ventilation grills between the rooms.

1. Determine the volume of the space $\text{Length} \times \text{Width} \times \text{Height} = \text{cu. ft. (volume of space)}$

Example: Space size 20 ft. (length) \times 16 ft.(width) \times 8 ft. (ceiling height) = 2560 cu. ft. (volume of space)

If additional ventilation to adjoining room is supplied with grills or openings, add the volume of these rooms to the total volume of the space.

2. Divide the space volume by 50 cu. ft. to determine the maximum BTU/hr the space can support.

_____ (volume of space) \div 50 cu. ft.= (Maximum BTU/hr the space can support)

Example: 2560 cu. ft. (volume of space) \div 50 cu. ft. = 51.2 or 51,200 (maximum BTU/hr the space can support)

3. Add the BTU/hr of all fuel burning appliances in the space.

Vent-free heater _____ BTU/hr

Gas water heater* _____ BTU/hr

Gas furnace _____ BTU/hr

Vented gas heater _____ BTU/hr Example:

Gas heater logs _____ BTU/hr Gas water heater 30,000 BTU/hr

Other gas appliances*+ _____ BTU/hr Vent-free heater + 26,000 BTU/hr

Total = _____ BTU/hr Total = 56,000 BTU/hr

*Do not include direct-vent gas appliances. Direct-vent draws combustion air from the outdoors and vents to the outdoors.

4. Compare the maximum BTU/hr the space can support with the actual amount of BTU/hr used.

_____ BTU/hr (maximum the space can support)

_____ BTU/hr (actual amount of BTU/hr used).

Example : 51,200 BTU/hr (maximum the space can support) 56,000 BTU/hr (actual amount of BTU/hr used)

The space in the above example is a confined space because the actual BTU/hr used is more than the maximum BTU/hr the space can support.

You must provide additional fresh air. Your options are as follows:

- Rework worksheet, adding the space of an adjoining room. If the extra space provides an unconfined space, remove door to adjoining room or add ventilation grills between rooms. See "Ventilation Air From Inside Building," page 10.
- Vent room directly to the outdoors. See "Ventilation Air From Outdoors", page 10.
- Install a lower BTU/hr heater if lower BTU/hr size makes room unconfined. If the actual BTU/hr used is less than the maximum BTU/hr the space can support, the space is an unconfined space. You will need no additional fresh air ventilation.

PREPARING FOR INSTALLATION

⚠ WARNING: If the area in which the heater may be operated does not meet the required volume for indoor combustion air, combustion and ventilation air shall be provided by one of the methods described in the NATIONAL FUEL GAS CODE, ANSI Z223.1/NFPA 54, the INTERNATIONAL FUEL GAS CODE, or applicable local codes.

Ventilation Air From Inside Building

This fresh air would come from adjoining unconfined space. When ventilating to an adjoining unconfined space, you must provide two permanent openings: one within 12 in. of the wall connecting the two spaces (see options 1 and 2, Fig. 1). You can also remove door into adjoining room (see option 3, Fig. 1). Follow the National Fuel Gas Code NFPA 54/ANS Z223.1. Air for Combustion and Ventilation for required size of ventilation grills or ducts.

Ventilation Air From Outdoors

Provide extra fresh air by using ventilation grills or duct. You must provide two permanent openings: one within 12 in. of the ceiling and one within 12 in. of the floor. Connect these items directly to the outdoors or spaces open to the outdoors. These spaces include attics and crawl spaces. Follow the National Fuel Gas Code NFPA 54/ANS Z223.1. Air for Combustion and Ventilation for required size of ventilation grills or ducts.

IMPORTANT: Do not provide openings for inlet or outlet air into attic if attic has a thermostat-controlled power vent. Heated air entering the attic will activate the power vent. Rework worksheet, adding the space of the adjoining unconfined space. The combined spaces must have enough fresh air to supply all appliances in both spaces.

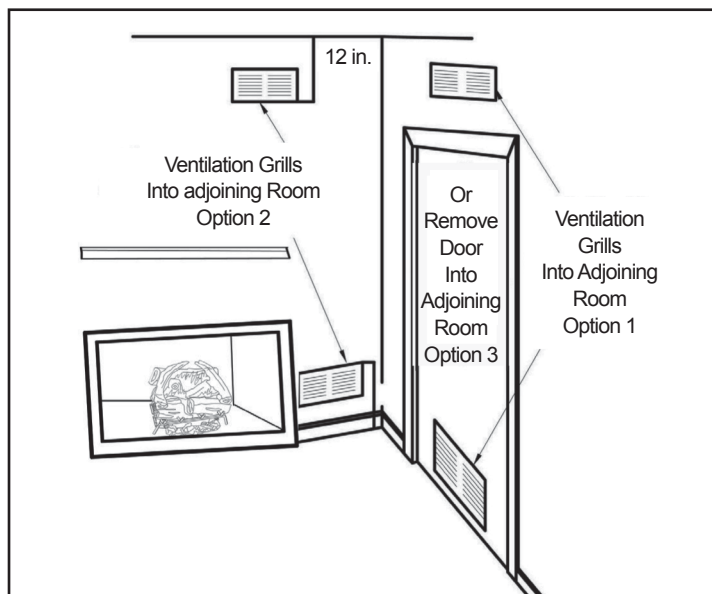


Fig. 1 - Ventilation Air from Inside Building

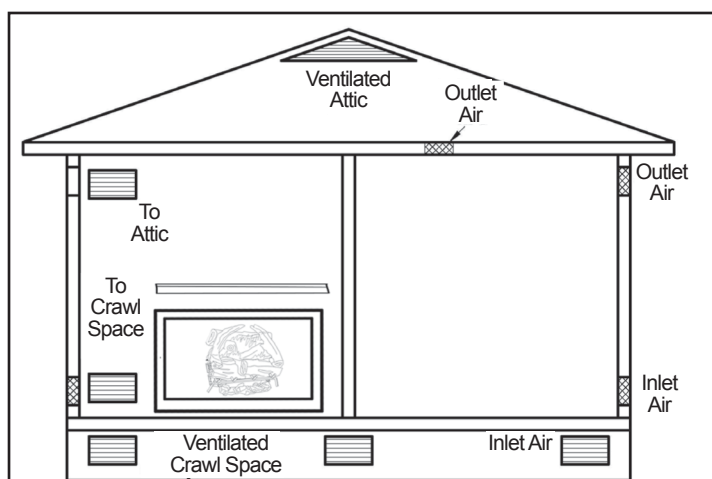


Fig. 2 - Ventilation Air from Outdoors

INSTALLATION

⚠ NOTICE: This heater is intended for use as supplemental heat. Use this heater along with your primary heating system. Do not install this heater as your primary heat source. If you have a central heating system, you may run system's circulating blower while using heater. This will help circulate the heat throughout the house.

⚠ WARNING: A qualified technician must install heater. Follow all local codes.

⚠ WARNING: Never install the heater:

- in a bedroom or bathroom
- in a recreational vehicle
- where curtains, furniture, clothing, or other flammable objects are less than 42 in. from the front, top or sides of the heater.
- in high traffic areas
- in windy or drafty areas

CAUTION: This heater creates warm air currents. These currents move heat to wall surfaces next to heater. Installing heater next to vinyl or cloth wall coverings or operating heater where impurities (such as tobacco smoke, aromatic candles, cleaning fluids, oil or kerosene lamps, etc.) in the air exist, may cause walls to discolor.

⚠ WARNING: Any glass doors shall be fully opened when the appliance is in operation.

⚠ WARNING: Before installing in a solid-fuel burning fireplace, the chimney flue and firebox must be cleaned of soot, creosote, ashes and loose paint by a qualified chimney cleaner.

⚠ WARNING: Do not allow fans to blow directly into the fireplace. Avoid any drafts that alter burner flame patterns.

⚠ WARNING: Do not use a blower insert, heat exchanger insert or other accessory not approved for use with this heater.

IMPORTANT: Vent-free heaters add moisture to the air. Although this is beneficial, installing heater in rooms without enough ventilation air may cause mildew to form from too much moisture. See Air for Combustion and Ventilation, pages 8 through 10.

CHECK GAS TYPE

Be sure your gas supply is right for your heater.

⚠ WARNING: This appliance is designed for installation in only a solid-fuel burning masonry or UL 127 factory-built fireplace or in a listed ventless firebox enclosure. Exception: DO NOT install this appliance in a factory-built fireplace that includes instructions stating it has not been tested or should not be used with unvented gas logs. s worksheet to determine if you have a confined or unconfined space.

⚠ WARNING: Solid-fuels shall not be burned in a fireplace in which an unvented room heater is installed.

⚠ WARNING: Any outside air ducts and/or ash dumps in the fireplace shall be permanently closed at time of appliance installation.

INSTALLATION

CHECK GAS TYPE

Make sure your gas supply is correct for your log set. If supply is not correct, do not install heater. Call dealer where you purchased heater for proper gas log set.

LOG SIZING REQUIREMENTS

Log Size	Minimum Firebox Size			
	Height	Depth	Front Width	Rear Width
18"	24 in.	14 in.	28 in.	20 in.
24"	24 in.	14 in.	32 in.	22 in.

HEATER CLEARANCES

- ⚠ CAUTION:** If you install the heater in a home garage
- Heater pilot and burner must be at least 18" above floor.
 - Locate heater where moving vehicle will not hit it.

For convenience and efficiency, install heater

- Where there is easy access for operation, inspection and service
- In coldest part of room
- If this appliance is to be installed directly on carpeting, tile or other combustable material, other than wood flooring, the appliance must be installed on a metal or wood panel extending the full width and depth of the appliance.

Minimum Clearances For Side Combustible Material, Side Wall and Ceiling

- A. Clearances from the side of the heater cabinet to any combustible material and wall should follow diagram in Figure 3.
- B. Clearances from the top of the heater opening to the ceiling should not be less than 36".

- ⚠ WARNING:** Maintain the minimum clearances. If possible, provide greater clearances from the floor, ceiling, and adjoining wall than required.

Fig. 3

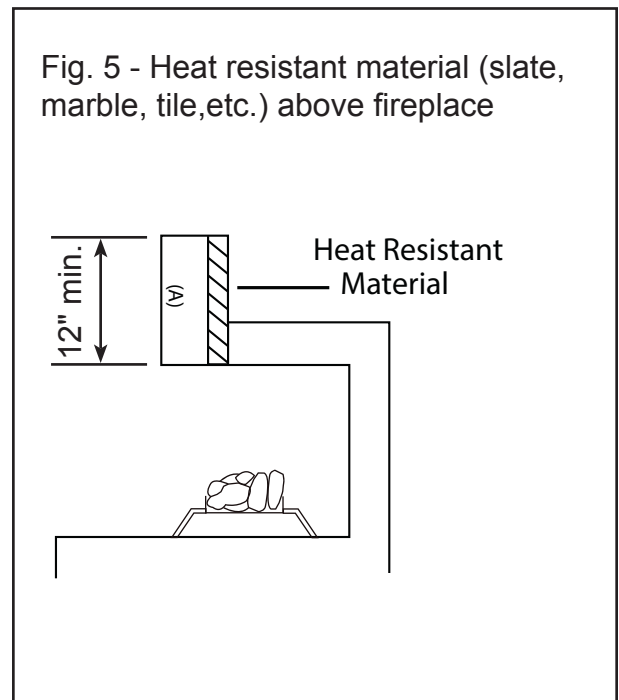
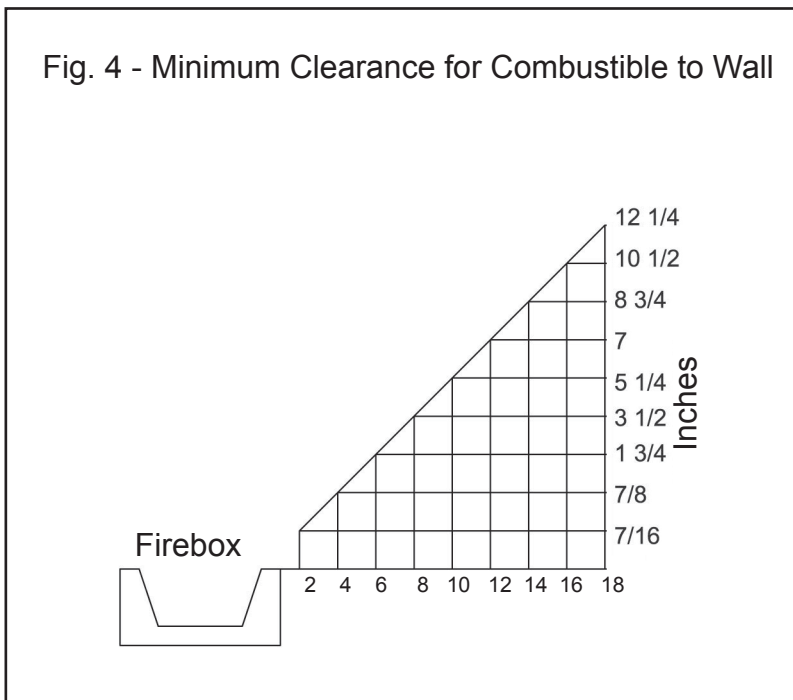
Minimum Fireplace Clearance to Combustible Materials		
Log size	From edge of fireplace opening to side wall	From top of fireplace to ceiling
18"	16 in.	42 in.
24"	16 in.	42 in.

- ⚠ WARNING:** Seal any fresh air vents or ash clean-out doors located on the floor or wall of fire place to prevent drafting caused by pilot outage or sooting. Use a heat-resistant sealant. Do not seal chimney flue damper.

INSTALLATION

MINIMUM NONCOMBUSTIBLE MATERIAL CLEARANCE If Not Using Mantel

You must have noncombustible material(s) above the fireplace opening. Noncombustible materials (such as slate, marble, tile, etc.) must be at least 1/2 in. thick. With sheet metal, you must have noncombustible material behind it, such as a noncombustible fireplace hood accessory. See Fig. 5.



If Using Mantel

You must have noncombustible material(s) (such as slate, marble, tile, etc.) at least 1/2 in. thick. With sheet metal, you must have noncombustible material behind it. Noncombustible material must extend at least 12 inches up. See Fig. 7.1 for minimum clearances requirements.

IMPORTANT: Cannot operate if the minimum clearances are not met.

INSTALLATION

MANTEL CLEARANCES

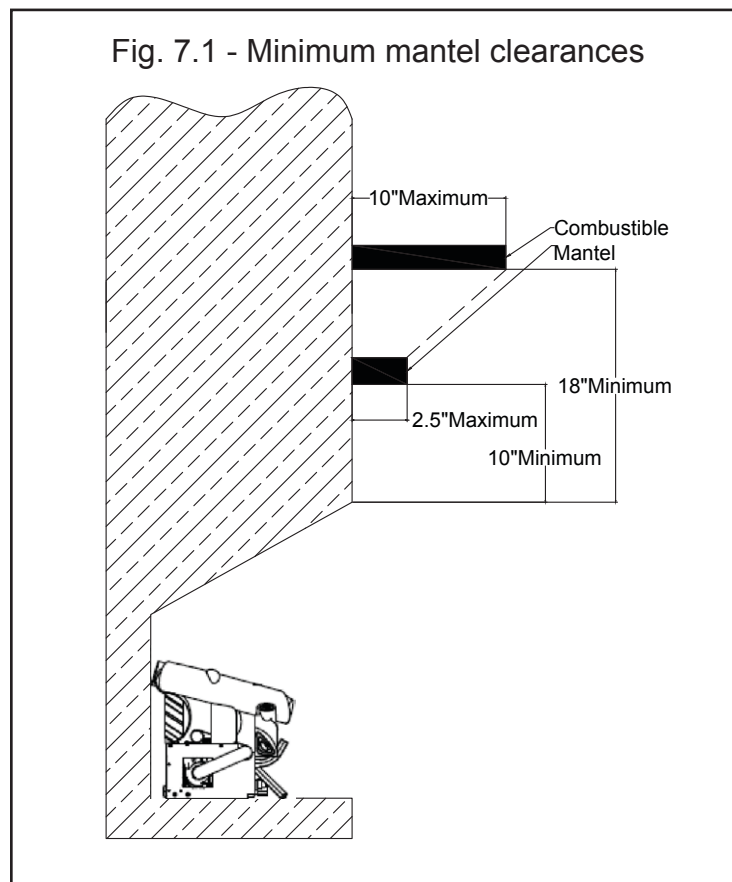
In addition to meeting noncombustible material clearances, you must also meet required clearances between fireplace opening and mantel shelf. If the clearances listed below are not met, you will need to raise the mantel.

Determining Mantel Clearances

If you meet minimum clearance requirements between mantel shelf and top of fireplace opening, your installation (see Fig. 7.1).

Noncombustible Material Distance	Requirements for Safe Installation
8 in. or more	Noncombustible material okay.
Less than 8 in.	Noncombustible material must be extended to at least 8 in. See between 8 in. and 12 in. above.

Determining Minimum Mantel Clearance

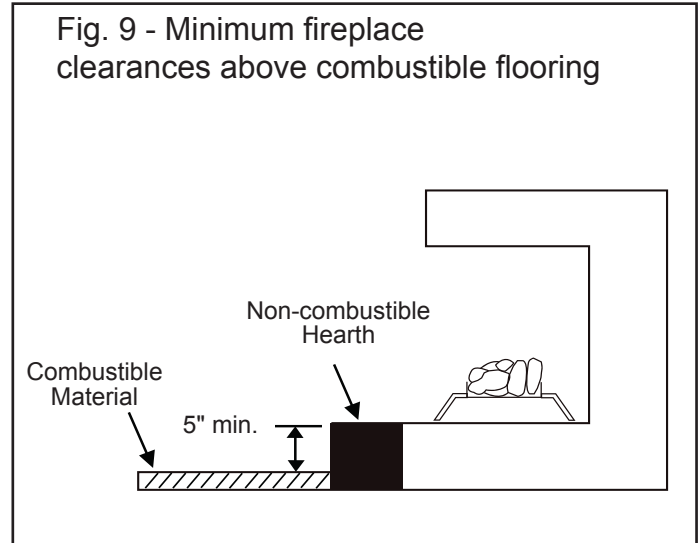
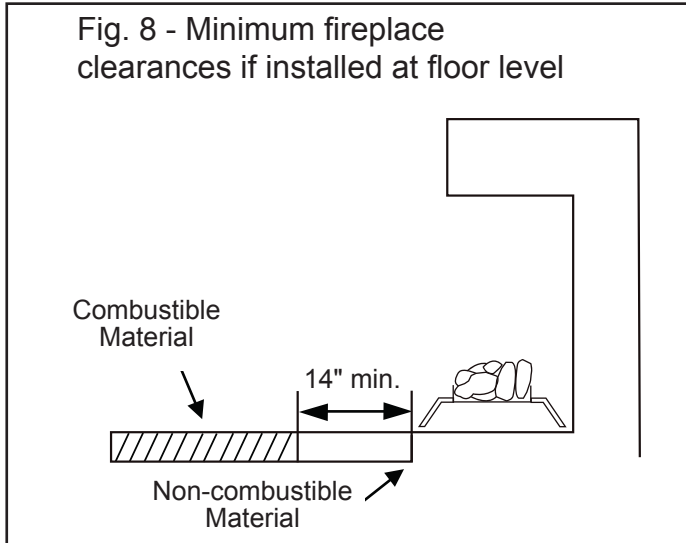


NOTICE: Surface temperature of adjacent walls and mantels become hot during operation. Walls and mantels above the firebox may become too hot to touch. If installed properly, these temperatures meet the requirement of the national product standard. Follow all minimum clearances shown in this manual.

INSTALLATION

FLOOR CLEARANCES

- a) If installing appliance on floor level, you must maintain the minimum distance of 14 in. to combustibles (see Fig. 8).
- b) If combustible materials are less than 14 in. to the fireplace, you must install appliance at least 5 in. above the combustible flooring (see Fig. 9).



INSTALLATION

WARNING: Failure to position the parts in accordance with these diagrams or failure to use only parts specifically approved with this heater may result in property damage or personal injury.

Before beginning assembly or operation of the product, make sure all parts are present. Compare parts with package contents list. If any part is missing or damaged, do not attempt to assemble, install or operate the product. Contact customer service for replacement parts.

Estimated Assembly Time: 20 minutes

Tools Required for Assembly (Not Included, unless otherwise stated):

Before installing heater, make sure you have the the following:

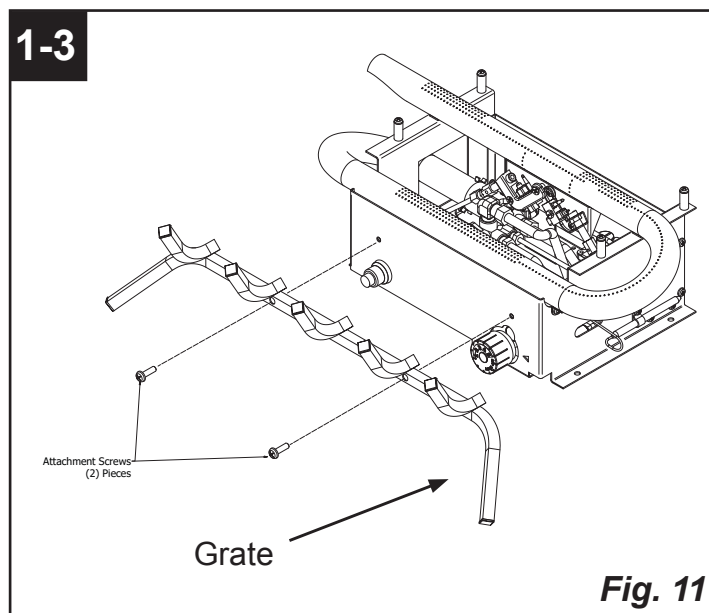
- Hardware package (provided with heater)
- Approved flexible gas hose if allowed by local codes
- Sealant (resistant to natural or propane/LP gas)
- Electric drill with 3/16- in. drill bit
- Phillips screwdriver
- External regulator (supplied by installer if required)
- Piping (check local codes)
- Equipment shutoff valve
- Test gauge connection
- Sediment trap
- Tee joint
- Pipe wrench
- 3/8" NPT to 1/2" flare fitting
- Allen Wrench

UNPACKING

1. Remove logs, grate, and burner base assembly from carton. NOTE: Do not pick up burner base assembly by burners as this could damage heater. Always handle base assembly by frame.
2. Remove all protective packaging applied to logs and heater for shipment.
3. Check all items for any shipping damage. If damaged, promptly inform dealer where you purchased the heater.

GRATE ASSEMBLY PROCEDURE

1. Position the grate in front of the burner so the 2 legs are pointing downward, the "grate ends" that the logs sit on are pointing upward, and the screw holes line up with the screw holes on the burner unit (See Fig. 11).
2. Hand tighten the grate to the burner with (2) Attachment Screws, each at an equal distance until hand tightening is no longer possible.
3. Finish tightening each Attachment Screw with a screw driver, but make sure not to over tighten.



INSTALLATION

GAS SELECTION INSTRUCTIONS

⚠ WARNING: This appliance can be used with propane or natural gas. It is shipped from the factory adjusted for use with propane.

CAUTION: The knob to the gas selection means shall not be accessed or adjusted while the appliance is in operation.

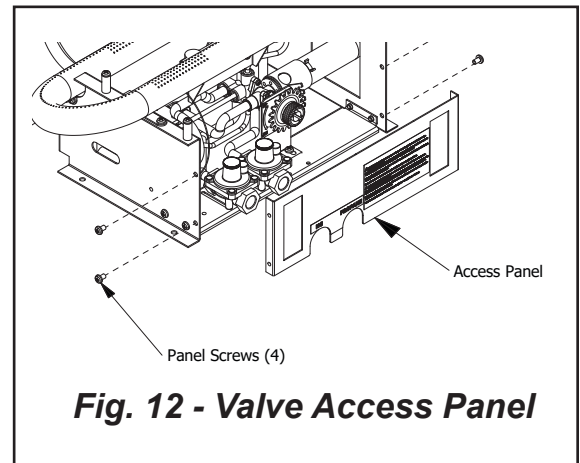
CAUTION: Two gas line installations at the same time are prohibited. The access plate to simple switching means shall not be opened while heater is in operation.

Installation and adjustments shall be made by a qualified technician only.

NOTE: If you are connecting this appliance to propane do not make any adjustments. Proceed to installing the gas line as instructed in the Owner's Manual.

Convert to natural gas:

Step 1 - Remove access panel.



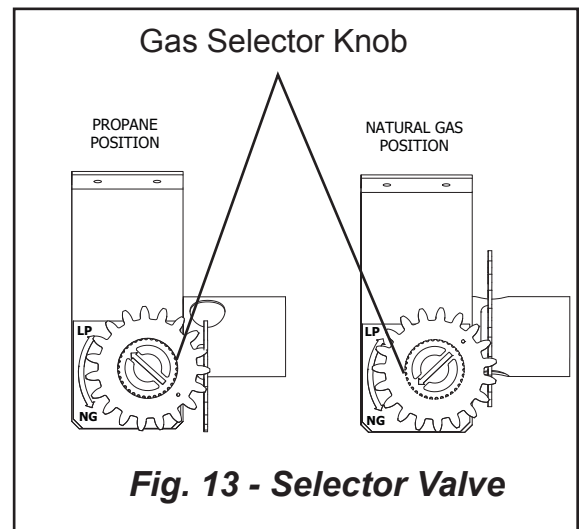
Step 2 - Adjust the gas selector valve.

Push in on the selector valve Knob and rotate the knob counter-clockwise until it stops. Release the knob (See Fig. 13).

Do not operate the appliance between locked positions.

Step 3 - Replace Access Panel.

Reverse step 2 to convert back to propane gas.



INSTALLATION

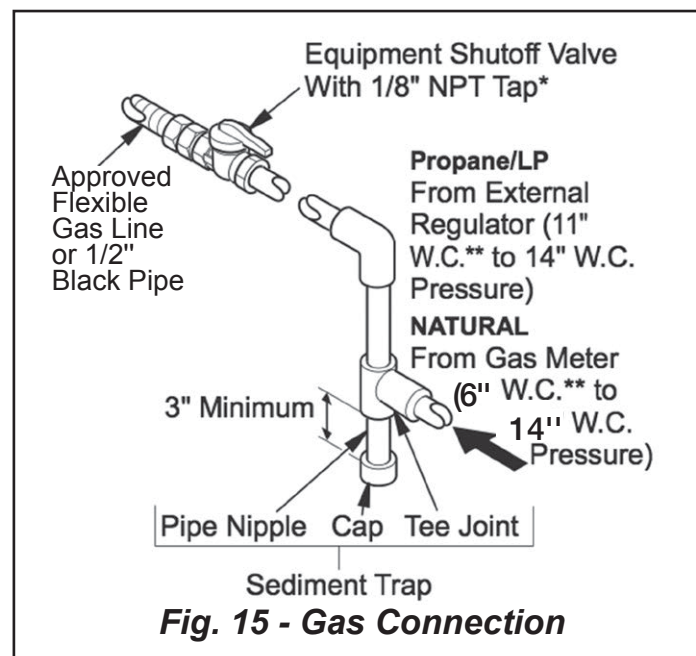
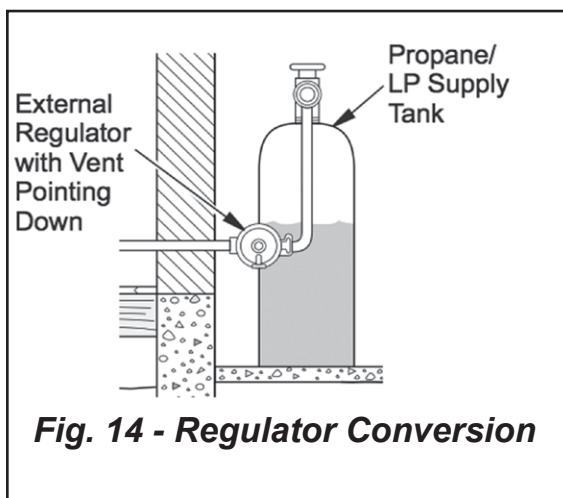
CONNECTING TO GAS SUPPLY

⚠ WARNING: A qualified service technician must connect heater to gas supply. Follow all local codes.

CAUTION: Never connect heater directly to the gas supply. This heater requires an external regulator (not supplied). The external regulator between the gas supply and heater must be installed. Gas supplier provides external regulator for natural gas.

⚠ WARNING: Never connect heater to private (non-utility) gas wells. This gas is commonly known as wellhead gas.

The installer must supply an external regulator for liquid propane. The external regulator is provided by the gas supplier for natural gas. The external regulator will reduce incoming gas pressure. You must reduce incoming gas pressure to between 11 and 14 in. of water column for propane and between 6 and 14 in. of water column for natural gas. If you do not reduce incoming gas pressure, heater regulator damage could occur. Install external regulator with the vent pointing down as shown in Fig. 15. Pointing the vent down protects it from freezing rain or sleet.



* Purchase the optional equipment shutoff valve from your local Home Center store.

⚠ CAUTION: Use only new black iron or steel pipe. Internally tinned copper tubing may be used in certain areas. Check your local codes. Use pipe of 1/2 in. diameter or greater to allow proper volume gas to heater. If pipe is too small, loss of pressure will occur. Installation must include an equipment shutoff valve, union, and plugged 1/8-in. NPT tap. Locate NPT tap within reach for test gauge hook up. NPT tap must be upstream from heater (See Fig. 15).

IMPORTANT: Install equipment shutoff valve in an accessible location. The equipment shutoff valve is for turning on or shutting off the gas to the appliance. Apply pipe joint sealant lightly to male threads. This will prevent excess sealant from going into pipe. Excess sealant in pipe could result in clogged heater valves.

INSTALLATION

⚠ CAUTION: Use pipe joint sealant that is resistant to gas (PROPANE or NG). We recommend that you install a sediment trap in a supply line. Locate sediment trap where it is within reach for cleaning and not likely to freeze. Install in the piping system between fuel supply and heater. A sediment trap traps moisture and contaminants. This keeps them from going into heater controls. If sediment trap is not installed or is installed incorrectly, heater may not run properly.

⚠ CAUTION: Avoid damage to regulator. Hold gas regulator with wrench when connecting into gas piping and/or fittings. NG Models: 6 in. to 14 in. W.C. Gas supplier provides external regulator for natural gas.

Installation Items Needed (Not Provided)

- 8" Adjustable Wrench
- 8" Pipe Wrench
- 1/2" Flexible Gas Line (24" Min.) or 1/2" Black Pipe
- 90 Deg. 1/2 NPT x 3/8" Flare Fitting or 3/8 NPT x 1/2 NPT' Street Elbow
- Sealant (Resistant to Propane (LP) Gas)
- Shut Off Valve
- Allen Wrench

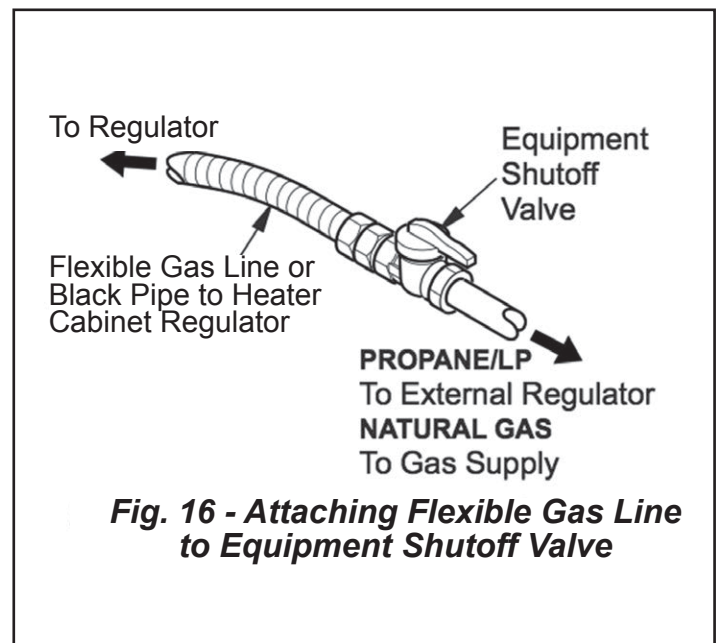
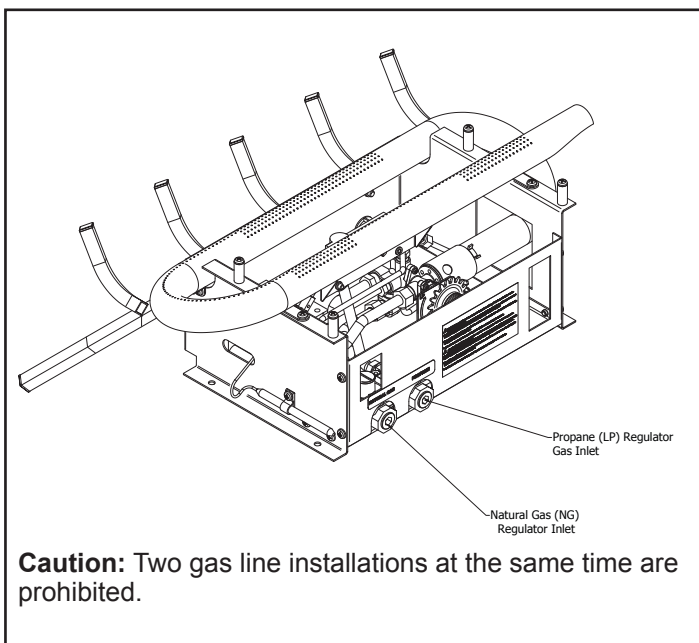
1) A variety of options are possible for routing the Gas Connection Lines depending on where your Gas Supply line is located.

NOTICE: Most building codes do not permit concealed gas connections. Check your local building code prior to using a Flexible Gas Line for this installation.

2) Identify the gas inlet on the Heater that corresponds to the fuel type for your installation. Remove the threaded plug by turning counterclockwise. Install a 90 degree fitting - not included). Be sure to use a gas resistant sealant on the 3/8 NPT fitting. Position the fitting so the inlet line can be attached without binding.

3) Install the Gas Line to the 90 Deg. fitting and attach to the Shut Off Valve.

4) Check all connections for gas leaks.



INSTALLATION

CHECKING GAS CONNECTIONS

⚠ WARNING: Test all gas piping and connections for leaks after installing or servicing. Correct all leaks immediately.

⚠ WARNING: Never use an open flame to check for a leak. Apply a mixture of liquid soap and water to all joints. If bubbles form, there may be a leak. Correct all leaks immediately.

Pressure Testing Gas Supply Piping System Test Pressures In Excess Of 1/2 PSIG (3.5kPa)

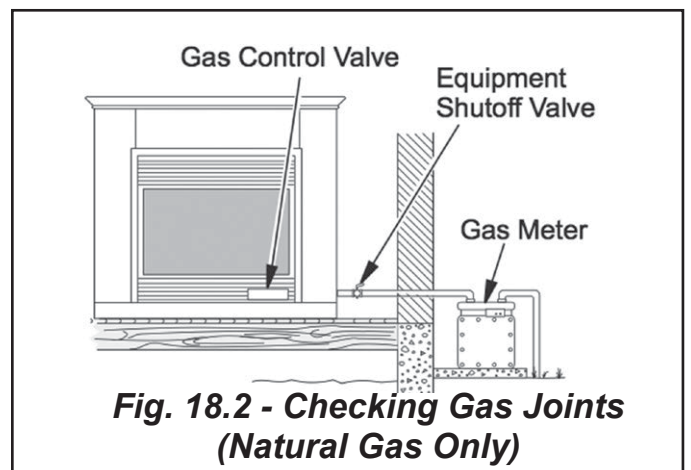
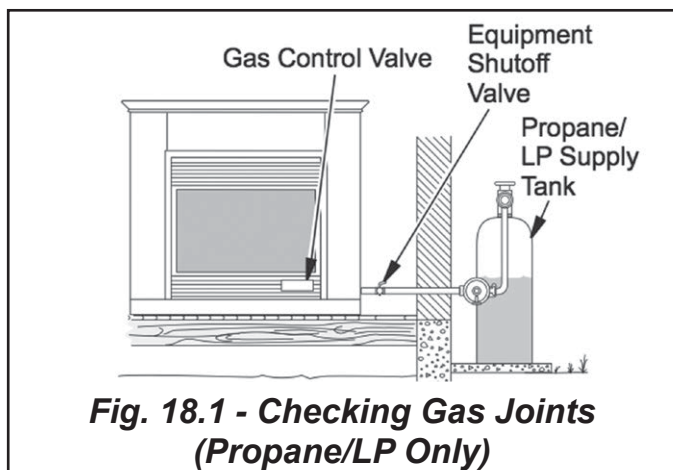
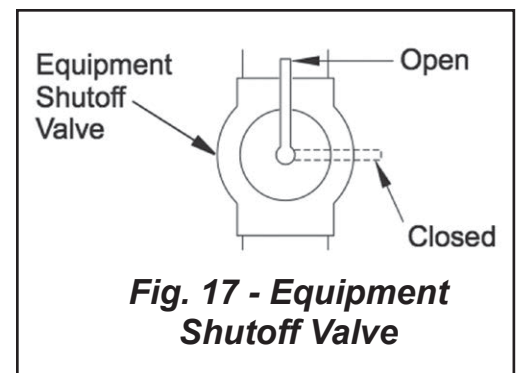
1. Disconnect heater with its appliance main gas valve (control valve) and equipment shutoff valve from gas supply piping system. Pressures in excess of 1/2 PSIG will damage heater regulator.
2. Cap off open end of gas pipe where equipment shutoff valve was connected.
3. Pressurize supply piping system by either using compressed air or opening gas supply tank valve.
4. Check all joints of gas supply piping system. Apply mixture of liquid soap and water to gas joints. If bubbles form, there may be a leak.
5. Correct all leaks immediately.
6. Reconnect heater and equipment shutoff valve to gas supply. Check reconnected fittings for leaks.

Test Pressures Equal To or Less Than 1/2 PSIG (3.5 kPa)

1. Close equipment shutoff valve (See Fig. 17).
2. Pressure supply piping system by either using compressed air or opening gas supply tank valve.
3. Check all joints from gas meter to equipment shutoff valve (See Fig. 18.1 or 18.2). Apply mixture of liquid soap and water to gas joints. If bubbles form, there may be a leak.
4. Correct all leaks immediately.

Pressure Testing Heater Gas Connections

1. Open equipment shutoff valve (See Fig. 17).
2. Open gas supply tank valve.
3. Make sure control knob of heater is in the OFF position.
4. Check all joints from equipment shutoff valve to control valve (See Fig. 18.1 or 18.2). Apply mixture of liquid soap and water to gas joints. If bubbles form, there may be a leak.
5. Light heater (see Operation, page 23).
Check all other internal joints for leaks.
6. Turn off heater (see "To Turn Off Gas to Appliance," page 23).



INSTALLATION

BEFORE INSTALLING THE APPLIANCE

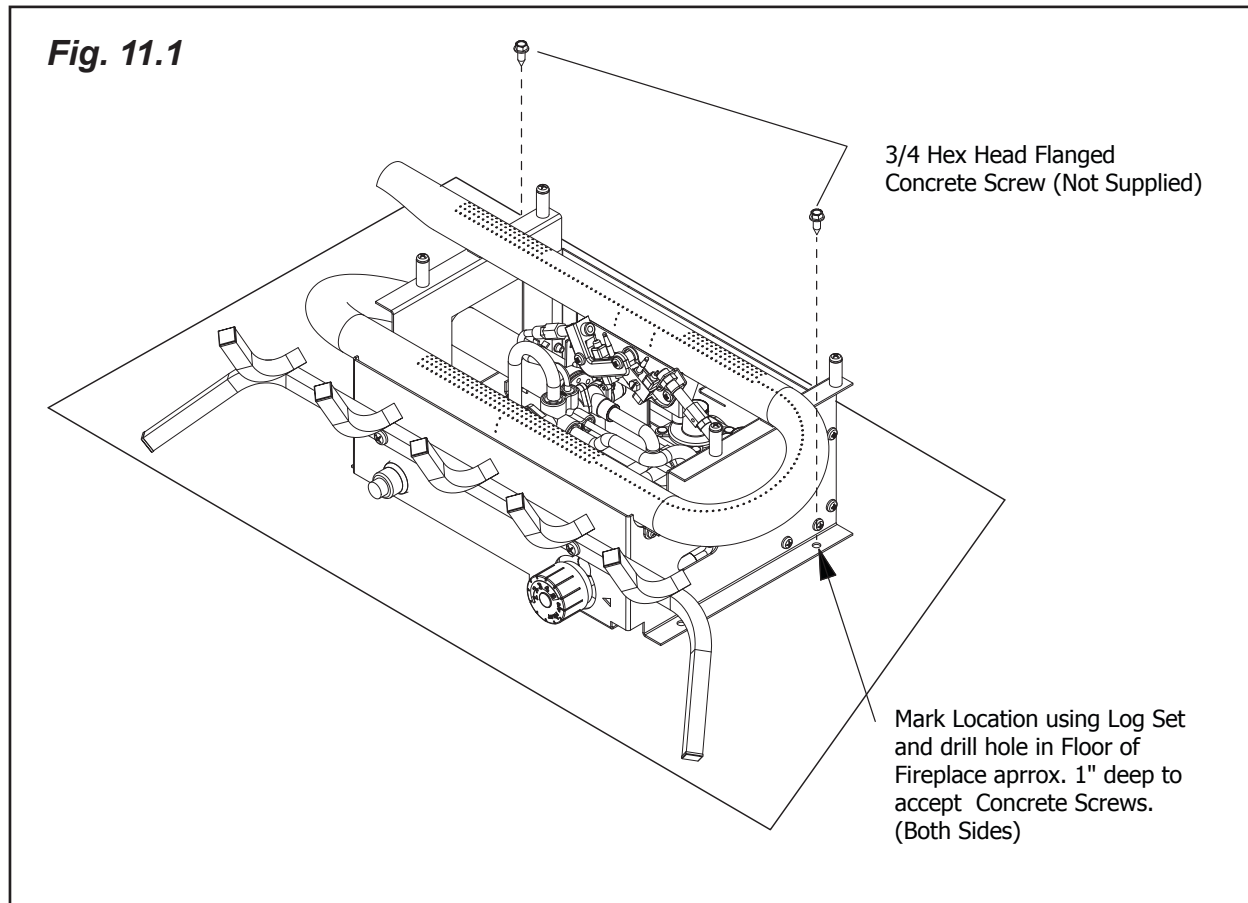
- Turn off gas supply to fireplace or firebox.
- Clean fireplace floor and chimney before installing log set. Seal any ash. Clean out doors to protect the unit from down drafts.

MOUNTING PROCEDURE

- Place grate/burner assembly into firebox with the front pan facing forward.
- Drill two (2) 5/32" diameter holes approximately 1" deep.
- Anchor the front pan to the floor using the (2) Concrete Attachment Screws (Not Included) (See Fig. 11.1).
- Proper installation of the grate is essential to prevent any movement of the gas logs and controls during operation.

LAVA ROCK INSTALLATION

Place the Lava Rock around the burner assembly. DO NOT place inside of heater or on logs. Place desired amount of lava rock on the fireplace floor only.



ASSEMBLY INSTRUCTIONS

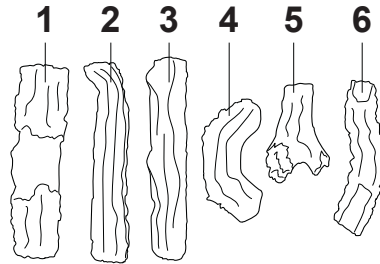
VFL3-SO18DT / VFL3-EO18DT / VFL3-SO24DT

⚠ WARNING: Failure to position the parts in accordance with these diagrams or failure to use only parts specifically approved with this heater may result in property damage or personal injury.

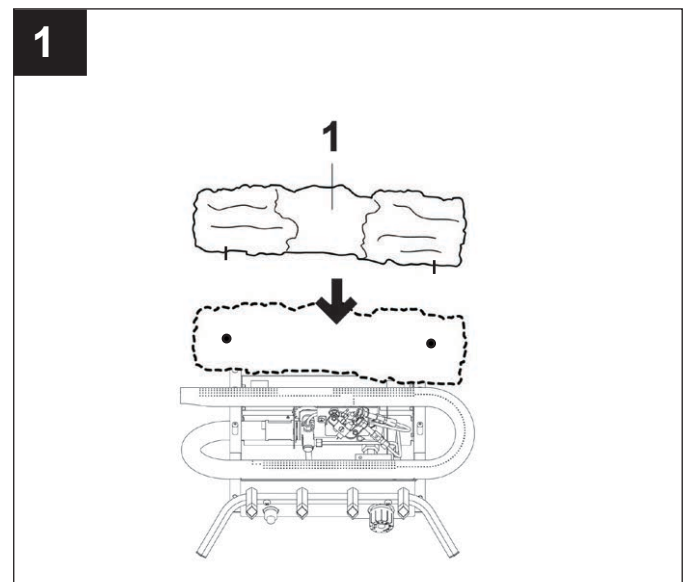
⚠ CAUTION: After installation and periodically thereafter, check to ensure that no yellow flame comes in contact with any log. With the heater set to High, check to see if yellow flames contact any log. If so, reposition logs according to the log installation instructions in this manual. Yellow flames contacting logs will create soot.

It is very important to install the logs exactly as instructed. Do not modify logs; use only logs supplied with heater. Each log is marked with a number, and this number will help you identify each log during installation.

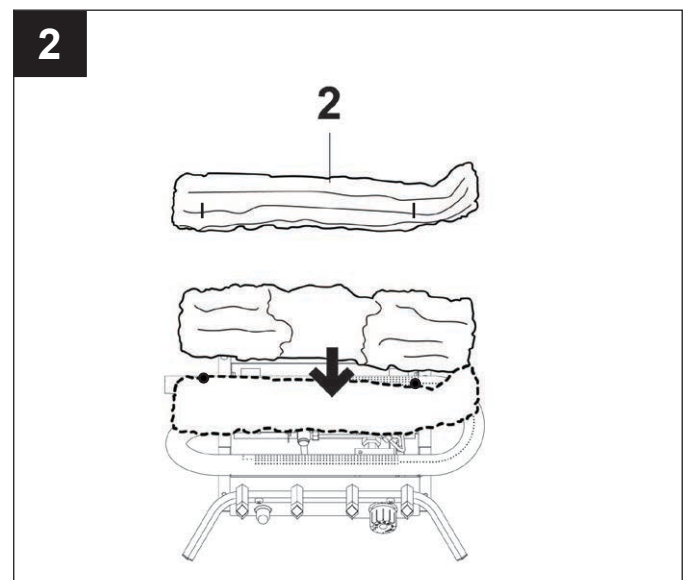
Provided Logs: 6



1. Insert log #1 onto pins in rear grate base.



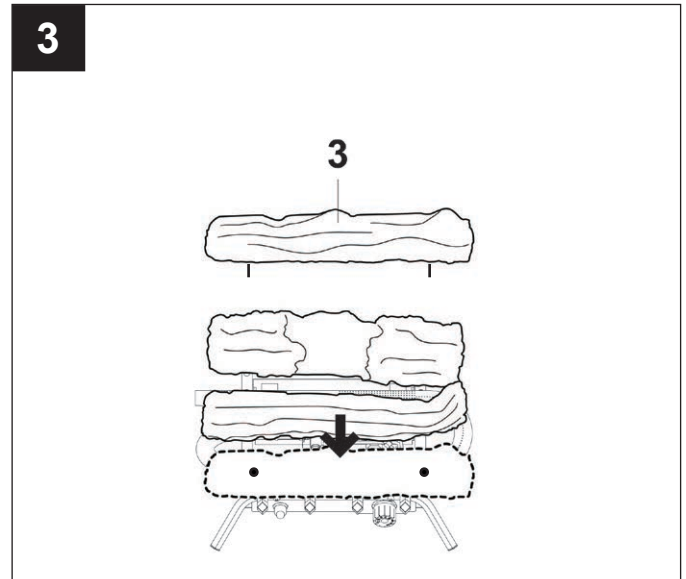
2. Insert log #2 onto pins in middle grate base.



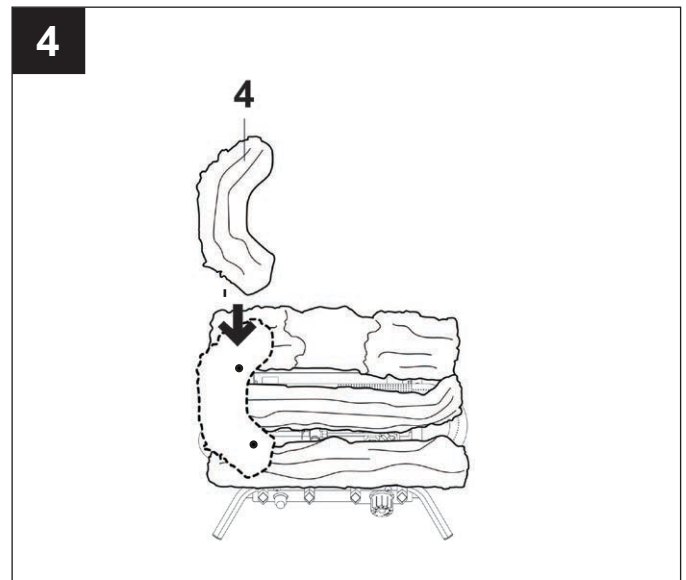
ASSEMBLY INSTRUCTIONS

VFL3-SO18DT / VFL3-EO18DT / VFL3-SO24DT

3. Place log #3 onto the front grate. Make sure the recessed areas on the log match up with the grate, and the log is centered on grate.



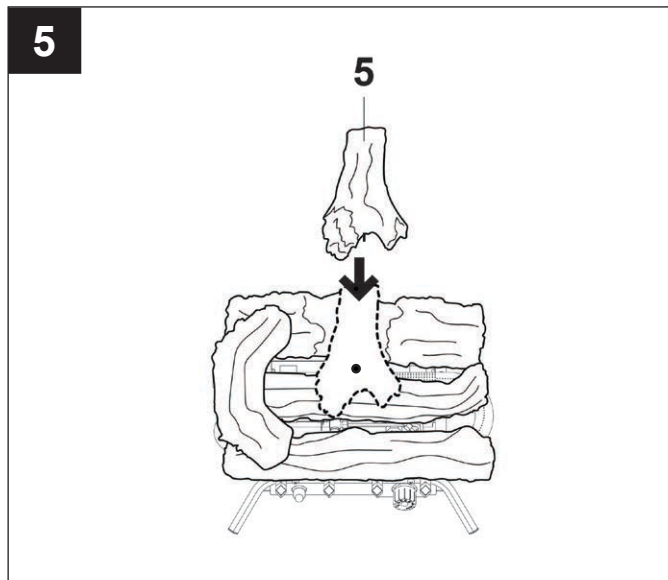
4. Place log #4 so its pin fits into the hole on the top left recessed areas of log #2.



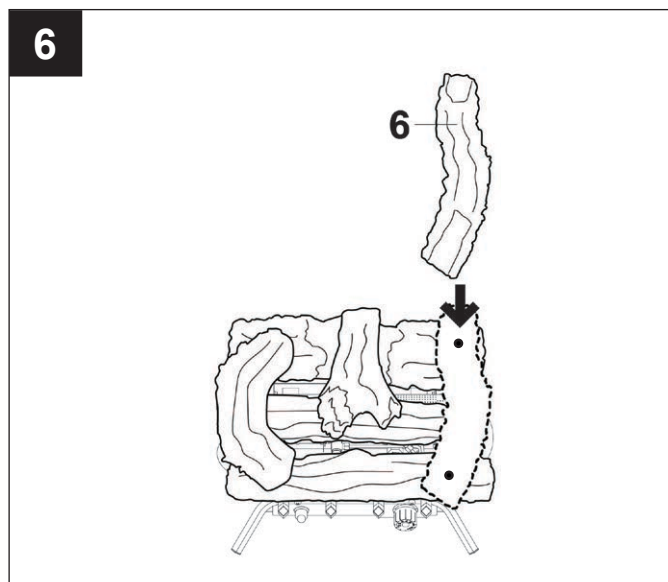
ASSEMBLY INSTRUCTIONS

VFL3-SO18DT / VFL3-EO18DT / VFL3-SO24DT

5. Place log #5 so it is resting in the top middle recessed areas of log #1 and its pin fits in the hole on the top of log #2 only (it should NOT be touching log #3), and the front edge does not overhang log #2.



6. Place log #6 so its pin fits in the hole on the top right recessed areas of log #2.



OPERATING INSTRUCTIONS

FOR YOUR SAFETY READ BEFORE LIGHTING



WARNING: If you do not follow these instructions exactly, a fire or explosion may result causing property damage, personal injury or loss of life.

A. This appliance has a pilot which must be lighted by the electronic ignitor. When lighting the pilot, follow these instructions exactly.

B. **BEFORE LIGHTING** smell all around the appliance area for gas. Be sure to smell next to the floor because some gas is heavier than air and will settle on the floor.

WHAT TO DO IF YOU SMELL GAS

- Do not try to light any appliance.
- Do not touch any electrical switch; do not use any phone in your building.
- Immediately call your gas supplier from a neighbor's phone. Follow the gas supplier's instructions.
- If you cannot reach your gas supplier, call the fire department

C. Use only your hand to push in or turn the gas control knob. Never use tools. If the knob will not push in or turn by hand, don't try to repair it, call a qualified service technician. Forced or attempted repair may result in fire or explosion.

D. Do not use this appliance if any part has been under water. Immediately call a qualified service technician to inspect the appliance and to replace any part of the control system and any gas control which has been under water.

BATTERY INSTRUCTIONS

- Batteries are included.
- Remove batteries when depleted.
- Install/replace the batteries according to the type and quantity stated in table below.
- Do not mix old and new batteries. New batteries should be the same brand for best results.
- Be sure to observe proper polarity (+/-) when installing or replacing the batteries. Damage due to improper battery installation may void the warranty on the product.
- For long periods of non-operation, remove batteries from all components for safety.

WARNING: Non-rechargeable batteries are not to be recharged.

Batteries are to be inserted with the correct polarity.

Exhausted batteries are to be removed from the product.

The Receiver operates on a (4)1.5V AA batteries (Alkaline).

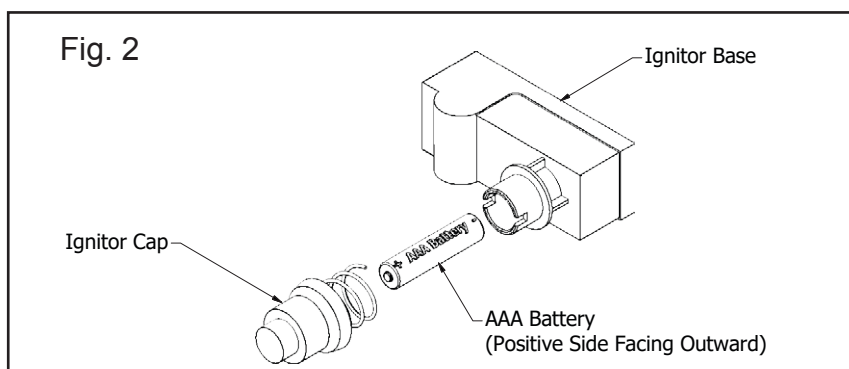
DO NOT DISPOSED OF BATTERIES IN FIRE

BATTERIES MAY EXPLODE OR LEAK!

Component	Type of Battery	Battery Qty.
Ignitor	AAA	1

BATTERY INSTALLATION

1. Locate the Battery Ignitor on the front face of the burner.
2. Step 2 – Unscrew the cap on the Electronic Push Button ignitor with your fingers by turning it counterclockwise. (Fig. 2)
3. Insert the battery with the positive (+) side facing forward.
4. Replace the cap by turning it clockwise until the cap is finger tight.



OPERATING INSTRUCTIONS

LIGHTING INSTRUCTIONS

1. STOP! Read the safety information above.
 2. Turn control knob clockwise ↻ to the “OFF” position (See Fig. 25).
 3. Wait five (5) minutes to clear out any gas. Then smell for gas, including near the floor. If you smell gas, STOP! Follow “B” in the safety information above. If you don’t smell gas, go to the next step.
 4. Turn control knob counterclockwise ↻ to the “PILOT” position.
Depress control knob.
 5. With control knob depressed, push down on the ignitor button until the pilot lights. The pilot is located behind the heater screen near the rear of the burner.
- Do not attempt to light the pilot by hand.
6. Keep control knob depressed for (30) seconds after pilot lights.
Release the control knob.
- If the control knob does not pop up when released, stop and immediately call a qualified service technician or gas supplier.
 - If pilot goes out repeat steps 3 through 7. Wait (1) minute before attempting to light pilot again. If after several tries the pilot still goes out, turn the gas control knob clockwise ↻ to the “OFF” position and call a qualified service technician.
7. Turn control knob counterclockwise ↻ to desired setting.

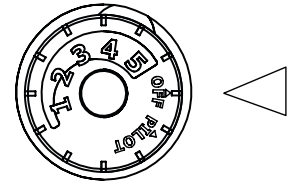


Fig. 25 - Control Knob

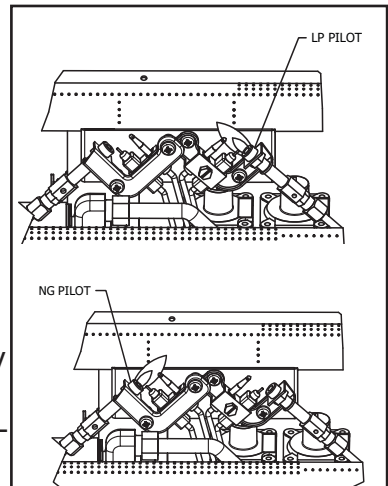


Fig. 26 - Pilot

- ⚠ **WARNING:** The fireplace screen must be in place while the appliance is in operation.
- ⚠ **WARNING:** Any glass doors shall be completely opened while appliance is in operation.

TO TURN OFF GAS TO APPLIANCE

1. Turn control knob clockwise ↻ to the “OFF” position.

Shutting Off Burner Only (pilot stays lit)

Turn control knob clockwise ↻ to the PILOT position.

THERMOSTATIC CONTROL OPERATION

The thermostatic control valve used on this model differs from standard thermostats. Standard thermostats simply turn the burner on and off. The thermostat sensing bulb on the control valve used on this heater senses changes in room temperature and will vary the flame accordingly. When the room temperature exceeds the set temperature the burner will shut off completely. The unit will cycle back on as the room temperature drops below the set temperature. The control knob can be set to the desired comfort level between 1 and 5.

OPERATING INSTRUCTIONS

INSPECTING BURNERS

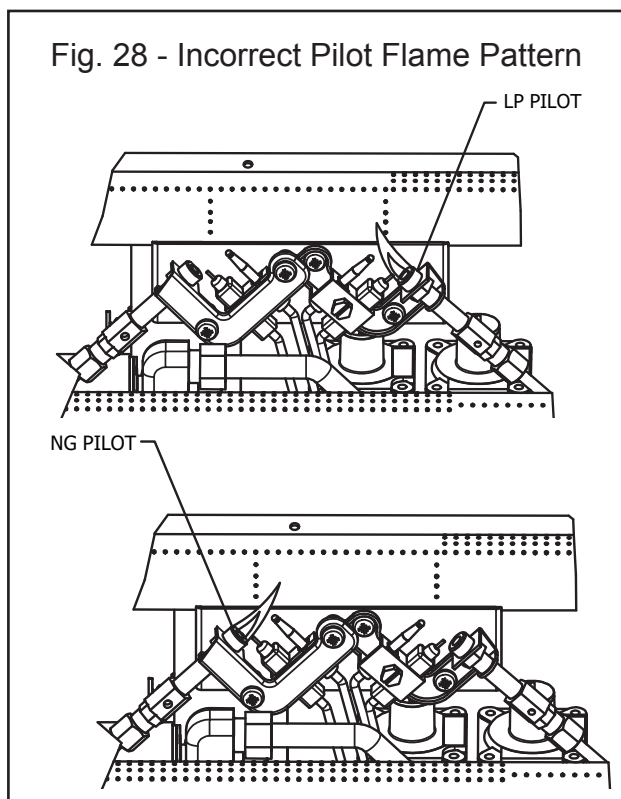
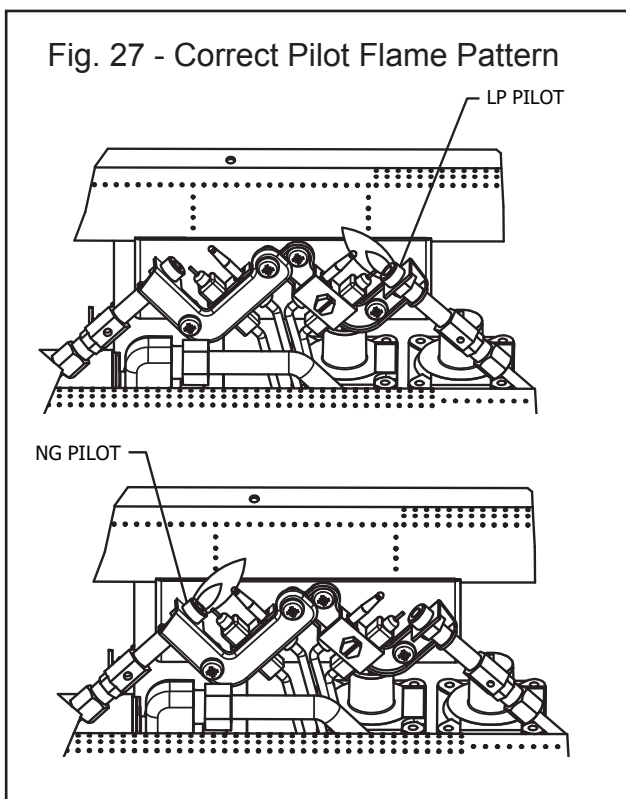
Check pilot flame pattern and burner flame patterns often.

PILOT FLAME PATTERN

Figure 27 shows a correct pilot flame pattern. Figure 28 shows an incorrect pilot flame pattern. The incorrect pilot flame is not touching the thermocouple. This will cause the thermocouple to cool. When the thermocouple cools, the heater will shut down.

If pilot flame pattern is incorrect, as shown in Figure 28.

- Turn heater off (see To Turn Off Gas to Appliance, page 23).
- See Troubleshooting, page 30.



⚠ WARNING: Do not allow fans to blow directly into the heater. Avoid any drafts that alter burner flame patterns.

⚠ WARNING: Do not use a blower insert, heat exchanger insert or other accessory not approved for use with this heater.

CARE AND MAINTENANCE

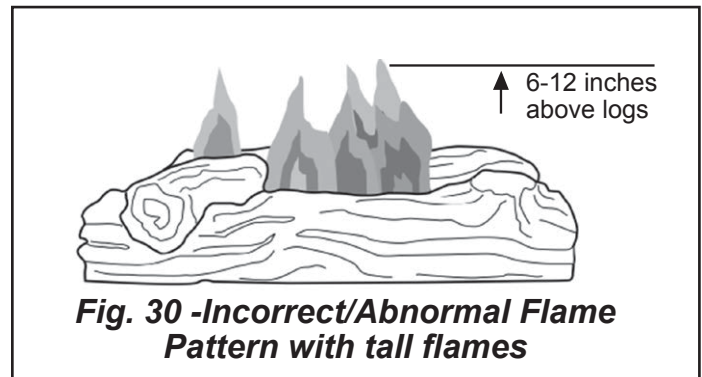
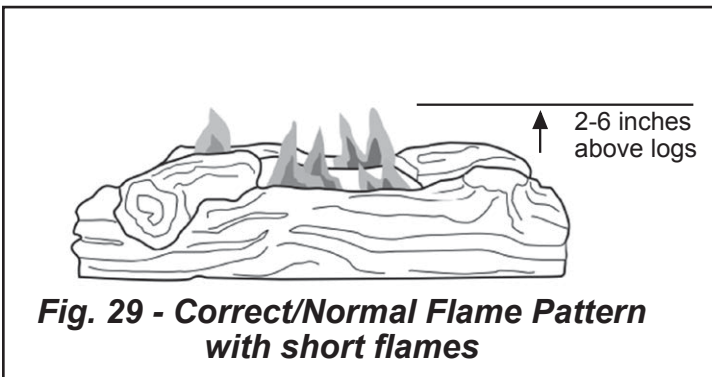
BURNER FLAME PATTERN

Figure 29 shows a correct burner flame pattern. Figure 30 shows an incorrect burner flame pattern. The incorrect burner flame pattern shows sporadic, irregular flame tipping. The flame should not be dark or have an orange/reddish tinge.

Note: When using the heater the first time, the flame will be orange for approximately one hour until the log cures.

If burner flame pattern is incorrect, as shown in Figure 30

- Turn heater off (see To Turn Off Gas to Appliance, page 23).
- See Troubleshooting, page 30.



⚠ WARNING: Turn off heater and let cool before servicing.

⚠ CAUTION: You must keep control areas, burner, and circulating air passageways of heater clean. Inspect these areas of heater before each use. Have heater inspected yearly by a qualified service person. Heater may need more frequent cleaning due to excessive lint from carpeting, bedding material, pet hair, etc.

⚠ WARNING: Failure to keep the primary air opening(s) of the burner(s) clean may result in sooting and property damage.

BURNER ORIFICE HOLDER AND PILOT AIR INLET HOLE

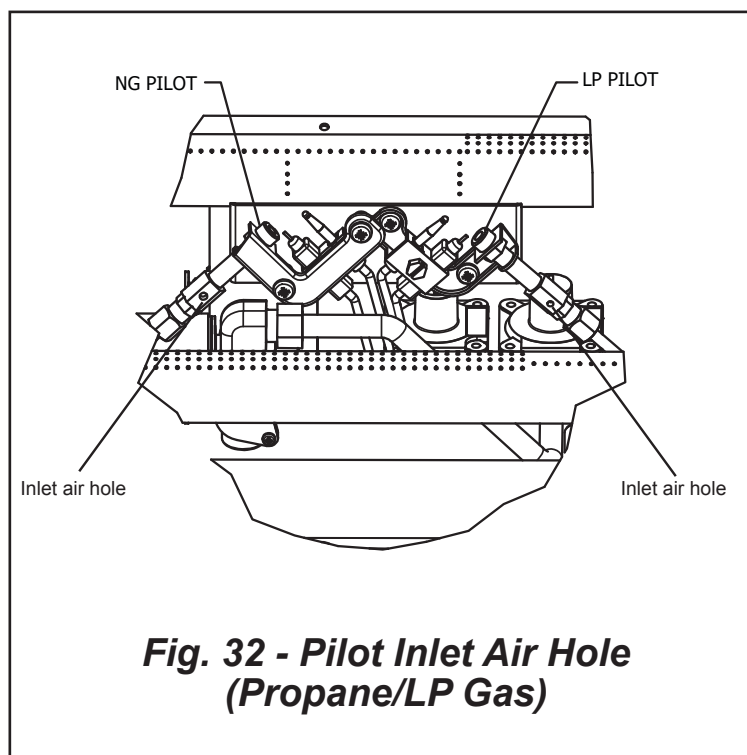
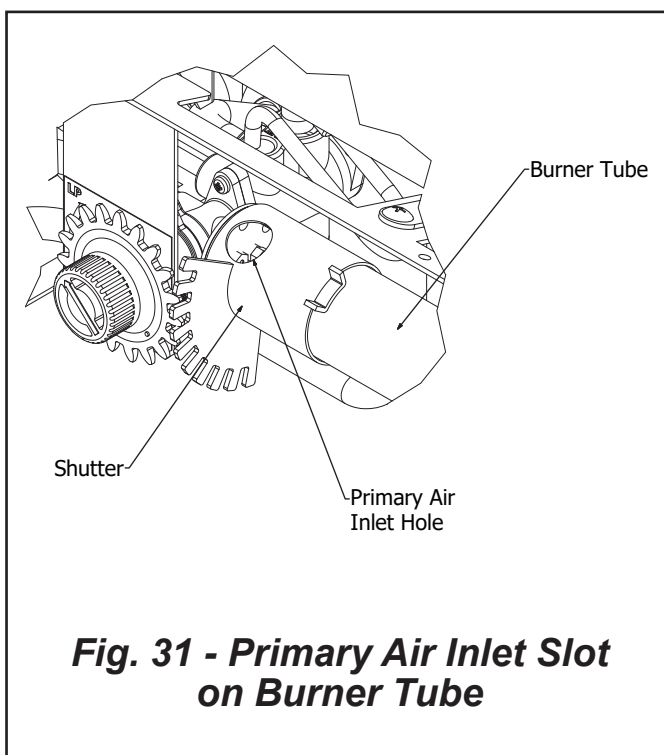
The primary air inlet holes allow the proper amount of air to mix with the gas. This provides a clean burning flame. Keep these holes clear of dust, dirt, lint and pet hair. Clean these air inlet holes prior to each heating season. Blocked air holes will create soot. We recommend that you clean the unit every three months during operation and have heater inspected yearly by a qualified service person.

We also recommend that you keep the burner tube and pilot assembly clean and free of dust and dirt. To clean these parts we recommend using compressed air no greater than 30 PSI. Your local computer store, hardware store or home center may carry compressed air in a can. If using compressed air in a can, please follow the directions on the can. If you don't follow directions on the can, you could damage the pilot assembly.

Periodic examination and cleaning of the venting system and the solid fuel-burning fireplace, including frequency of such examination and cleaning, must be done by a qualified agency.

CARE AND MAINTENANCE

1. Shut off unit including pilot. Allow unit to cool for at least 30 minutes.
2. Inspect burner, pilot and primary air inlet holes on orifice holder for dust and dirt (See Fig. 31).
3. Blow air through the ports/slots and holes in the burner.
4. Check the orifice holder located at the end of the burner tube again. Remove any large particles of dust, dirt, lint or pet hair with a soft cloth or vacuum cleaner nozzle.
5. Blow air into the primary air holes on the orifice holder.
6. In case any large clumps of dust have now been pushed into the burner repeat steps 3 and 4. Clean the pilot assembly also. A yellow tip on the pilot flame indicates dust and dirt in the pilot assembly. There is a small pilot air inlet hole about 2" from where the pilot flame comes out of the pilot assembly (see Figure 32). With the unit off, lightly blow air through the air inlet hole. You may blow through a drinking straw if compressed air is not available.



LOG SET

- If you remove the log set for cleaning, refer to page 21, for placement instructions.
- Replace log set if broken or chipped (dime sized or larger).

CABINET

Air Passageways

Use a vacuum cleaner or pressurized air to clean.

Exterior

Use a soft cloth dampened with a mild soap and water mixture. Wipe the cabinet to remove dust.

TROUBLESHOOTING

- ⚠ WARNING:** If you smell gas:
- Shut off gas supply.
 - Do not try to light any appliance.
 - Do not touch any electrical switch; do not use any phone in your building.
 - Immediately call your gas supplier from a neighbor's phone. Follow the gas supplier's instructions.
 - If you cannot reach your gas supplier, call the fire department.

IMPORTANT: Operating heater where impurities in air exist may create odors. Cleaning supplies, paint, paint remover, cigarette smoke, cements and glues, new carpet or textiles, etc., create fumes. These fumes may mix with combustion air and create odors.

- ⚠ WARNING:** Make sure that power is turned off before proceeding.

- ⚠ WARNING:** Turn off and let cool before servicing. Only a qualified service person should service and repair heater.

- ⚠ CAUTION:** Never use a wire, needle, or similar object to clean ODS/pilot. This can damage ODS/ pilot unit.

SERVICE HINTS

When Gas Pressure Is Too Low

- Pilot will not stay lit
- Burners will have delayed ignition
- Heater will not produce specified heat
- For propane/LP units, propane/LP gas supply may be low

You may feel your gas pressure is too low. If so, contact your local natural or propane/LP gas supplier.

PROBLEM	POSSIBLE CAUSE	CORRECTIVE ACTION
There is a sputtering sound coming from the Liquid Propane pilot that is a nuisance. When operating on Natural Gas (NG) and the NG pilot is lit.	1. Use of Natural Gas.	1. Call Customer Service.
When ignitor button is pressed in, there is no spark at ODS/ pilot.	1. Ignitor electrode is positioned wrong. 2. Ignitor electrode is broken. 3. Ignitor electrode is not connected to ignitor cable. 4. Ignitor cable is pinched or wet. 5. Damaged ignitor cable. 6. Bad Electronic Push Button ignitor. 7. Bad Battery.	1. Replace electrode. 2. Replace electrode. 3. Replace ignitor cable 4. Free ignitor cable if pinched by any metal or tubing. Keep ignitor cable dry. 5. Replace ignitor cable. 6. Replace Electronic Push Button ignitor. 7. Check Battery and replace if needed.
When ignitor button is pressed in, there is a spark at ODS/ pilot but no ignition.	1. Gas supply is turned off or equipment shutoff valve is closed. 2. Control knob not fully pressed in while pressing ignitor button. 3. Air in gas lines when installed. 4. ODS / pilot is clogged. 5. Gas regulator setting is not correct. 6. Control knob not in PILOT position. 7. Depleted gas supply (propane).	1. Turn on gas supply or open equipment shutoff valve. 2. Fully press in control knob while pressing ignitor button. 3. Continue holding down control knob. Repeat igniting operation until air is removed. 4. Clean ODS/pilot (see Care and Maintenance, page 28 - 29) or replace ODS/pilot assembly. 5. Replace gas regulator. 6. Turn control knob to PILOT position. 7. Contact local propane/LP gas company.

TROUBLESHOOTING

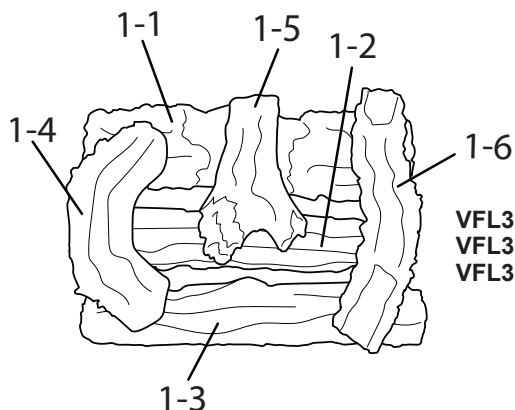
PROBLEM	POSSIBLE CAUSE	CORRECTIVE ACTION
ODS/pilot lights but flame goes out when control knob is released.	<ol style="list-style-type: none"> 1. Control knob is not fully pressed in. 2. Control knob is not pressed in long enough. 3. Equipment shutoff valve is not fully open. 4. Thermocouple connection is loose. 5. Thermocouple damaged. 6. Control valve damaged. 7. Wrong gas setting. 	<ol style="list-style-type: none"> 1. Press in control knob fully. 2. After ODS/pilot lights, keep control knob pressed in 30 seconds. 3. Fully open equipment shutoff valve. 4. Hand tighten until snug, and then tighten $\frac{1}{4}$ turn more. 5. Replace thermocouple. 6. Contact customer service. 7. Correct gas selection.
Burner(s) does not light after ODS/pilot is lit.	<ol style="list-style-type: none"> 1. Burner orifice is clogged. 2. Burner orifice diameter is too small. 3. Inlet gas pressure is too low. 	<ol style="list-style-type: none"> 1. Clean burner orifice (see Care and Maintenance, page 28 - 29) or contact customer service. 2. Contact customer service. 3. Contact your gas supplier.
Burner(s) does not light after ODS/pilot is lit. (Heater is set up for NG.)	<ol style="list-style-type: none"> 1. Inlet gas pressure is too high. 	<ol style="list-style-type: none"> 1. Contact your gas supplier.
Delayed ignition of burner(s).	<ol style="list-style-type: none"> 1. Manifold pressure is too low. 2. Burner orifice is clogged. 	<ol style="list-style-type: none"> 1. Contact your gas supplier. 2. Clean burner (see Care and Maintenance, page 28 - 29) or contact customer service.
Burner backfiring during combustion.	<ol style="list-style-type: none"> 1. Burner orifice is clogged or damaged. 2. Burner is damaged. 3. Gas regulator is damaged. 	<ol style="list-style-type: none"> 1. Clean burner orifice (see Care and Maintenance, page 28 - 29) or contact customer service. 2. Contact dealer or customer service. 3. Replace gas regulator.
High yellow flame during burner combustion	<ol style="list-style-type: none"> 1. Not enough air. 2. Gas regulator is defective. 3. Inlet gas pressure is too low. 	<ol style="list-style-type: none"> 1. Check burner for dirt and debris. If found, clean burner (see Care and Maintenance, page 28 - 29). 2. Replace gas regulator. 3. Contact your gas supplier.
Gas odor during combustion.	<ol style="list-style-type: none"> 1. Foreign matter between control valve and burner. 2. Gas leak. (See Warning Statement at top of page 20). 	<ol style="list-style-type: none"> 1. Take apart gas tubing and remove foreign matter. 2. Locate and correct all leaks (see "Checking Gas Connections," page 20).
Heater produces a clicking/ticking noise just after burner is lit or shut off.	<ol style="list-style-type: none"> 1. Metal is expanding while heating or contracting while cooling. 	<ol style="list-style-type: none"> 1. This is common with most heaters. If noise is excessive, contact qualified service technician.

TROUBLESHOOTING

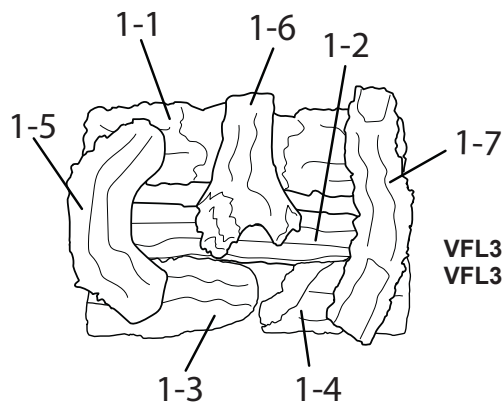
PROBLEM	POSSIBLE CAUSE	CORRECTIVE ACTION
White powder residue forming within burner box or on adjacent walls or furniture.	1. When heated, the vapors from furniture polish, wax, carpet cleaners, etc., turn into white powder residue.	1. Turn heater off when using furniture polish, wax, carpet cleaner or similar products.
Heater produces unwanted odors.	1. Heater is burning vapors from paint, hair spray, glues, etc. See IMPORTANT statement, page 25. 2. Gas leak. See Warning Statement, page 25. 3. Low fuel supply.	1. Ventilate room. Stop using odor causing products while heater is running. 2. Locate and correct all leaks (see "Checking Gas Connections," page 20). 3. Refill supply tank (Propane /LP models).
Heater shuts off in use (ODS operates).	1. Not enough fresh air is available. 2. Low line pressure. 3. ODS/pilot is partially clogged.	1. Open window and/or door for ventilation. 2. Contact local gas supplier. 3. Clean ODS/pilot (see Care and Maintenance, page 28 - 29).
Gas odor exists even when control knob is in OFF position.	1. Gas leak. See Warning Statement at top of page 25. 2. Control valve is defective.	1. Locate and correct all leaks (see "Checking Gas Connections", page 20). 2. Contact customer service.
Moisture/condensation noticed on windows.	1. Not enough combustion/ventilation air.	1. Refer to "Air for Combustion and Ventilation" requirements, page 8.
Slight smoke or odor during initial operation	1. Residues from manufacturing process.	1. Problem will stop after a few hours of operation.
Heater produces a whistling noise when burner is lit.	1. Turning control knob to high (5) position when burner is cold. 2. Air in gas line. 3. Air passageways on heater are blocked. 4. Dirty or partially clogged burner orifice.	1. Turn control knob to low (1) position and let warm up for a minute. 2. Operate burner until air is removed from line. Have gas line checked by local propane/LP gas company. 3. Observe minimum installation clearances (Fig. 4, 5, 7, 8 & 9 page 13-15). 4. Clean burner (see Care and Maintenance, page 28 - 29) or contact customer service.

REPLACEMENT PARTS LIST

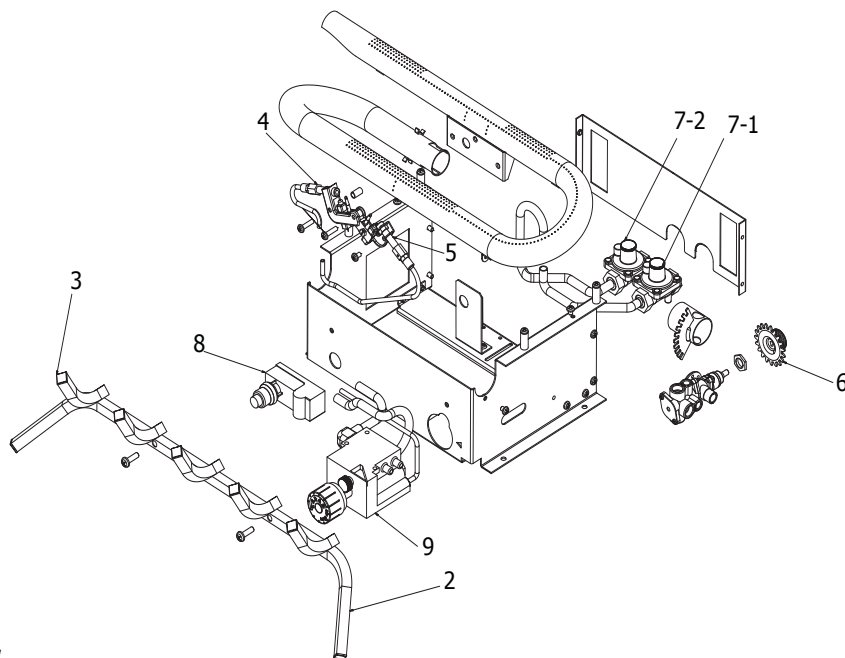
For replacement parts, call our Technical Service Department at 1-877-447-4768, 8:30 a.m. – 4:30 p.m., CST, Monday – Friday.



VFL3-SO18DT/
VFL3-EO18DT/
VFL3-SO24DT



VFL3-WW24DT/
VFL3-RW24DT



ITEM NO.	DESCRIPTION	QTY	PART NO.		
			VFL3-SO18DT VFL3-EO18DT	VFL3-SO24DT	VFL3-WW24DT VFL3-RW24DT
1	Log Set (complete)	1	3DYDA18	3DYDA24	3DYWW24
1-1	Log 1	1	80-06-168	80-06-175	80-06-189
1-2	Log 2	1	80-06-169	80-06-176	80-06-190
1-3	Log 3	1	80-06-170	80-06-177	80-06-191
1-4	Log 4	1	80-06-171	80-06-178	80-06-192
1-5	Log 5	1	80-06-172	80-06-179	80-06-193
1-6	Log 6	1	80-06-173	80-06-180	80-06-194
1-7	Log 7	1			80-06-195
2	Grate	1	GP287-01	GP288-01	GP288-01
3	Grate End Cap	1	GP287-02	GP287-02	GP287-02
4	ODS Pilot - NG	1	GZ20-30B	GZ20-30B	GZ20-30B
5	ODS Pilot - LP	1	GZ20-29B	GZ20-29B	GZ20-29B
6	Selector Knob	1	GZ20-17	GZ20-17	GZ20-17
7-1	Regulator, NG 5" WC	1	GR-130B-GHP	GR-130B-GHP	GR-130B-GHP
7-2	Regulator, LP 10" WC	1	GR-130A-GHP	GR-130A-GHP	GR-130A-GHP
8	Ignitor Module	1	GZ20-32a	GZ20-32a	GZ20-32a
9	Control Valve, Euro SIT 630	1	0630560	0630560	0630560

Warranty

LIMITED WARRANTY:

This limited warranty is extended to the original retail purchaser of this heater and warrants against any defect in materials and workmanship for a period of two (2) years from the date of retail sale. GHP Group, Inc., at its option, will either provide replacement parts or replace or repair the unit, when properly returned to the retailer where purchased or one of our service centers as directed by GHP Group, Inc., within two (2) years of retail purchase. (Shipping costs, labor costs, etc. are the responsibility of the purchaser.)

DUTIES OF THE OWNER:

This heating appliance must be operated in accordance with the written instructions furnished with this heater. This warranty shall not excuse the owner from properly maintaining this heater in accordance with the written instructions furnished with this heater. A bill of sale, canceled check or payment record must be kept to verify purchase date and establish warranty period. Original carton should be kept in case of warranty return of unit.

WHAT IS NOT COVERED:

1. Damage resulting from use of improper fuel.
2. Damage caused by misuse or use contrary to the owners manual and safety guidelines.
3. Damage caused by a lack of normal maintenance.
4. Use of non-standard parts or accessories.
5. Damage caused in transit. Freight charges on warranty parts or heaters to and from the factory shall be the responsibility of the owner.

This warranty does not imply or assume any responsibility for consequential damages that may result from the use, misuse, or the lack of routine maintenance of this heating appliance. A cleaning fee and the cost of parts may be charged for appliance failures resulting from lack of maintenance. This warranty does not cover claims which do not involve defective workmanship or materials. **FAILURE TO PERFORM GENERAL MAINTENANCE (INCLUDING CLEANING) WILL VOID THIS WARRANTY.**

THIS LIMITED WARRANTY IS GIVEN TO THE PURCHASER IN LIEU OF ALL OTHER WARRANTIES, EXPRESSED OR IMPLIED, INCLUDING BUT NOT LIMITED TO THE WARRANTIES OF MERCHANTABILITY OF FITNESS FOR A PARTICULAR PURPOSE. THE REMEDY PROVIDED IN THIS WARRANTY IS EXCLUSIVE AND IS GRANTED IN LIEU OF ALL OTHER REMEDIES. IN NO EVENT WILL GHP GROUP, INC. BE LIABLE FOR INCIDENTAL OR CONSEQUENTIAL DAMAGES.

Some states do not allow limitations on how long an implied warranty lasts, so the above limitation may not apply to you. Some states do not allow the exclusion or limitation of incidental or consequential damages so the above limitation or exclusion may not apply to you.

CLAIMS HANDLED AS FOLLOWS:

1. Contact your retailer and explain the problem.
2. If the retailer is unable to resolve the problem, contact our Customer Service Dept. detailing the heater model, the problem, and proof of date of purchase.
3. A representative will contact you. DO NOT RETURN THE HEATER TO GHP GROUP, INC. unless instructed by our Representative. This warranty gives you specific legal rights and you may also have other rights which vary from state to state.

TO REGISTER THE WARRANTY ON YOUR HEATER, PLEASE FILL OUT THIS CARD COMPLETELY
AND MAIL WITHIN 14 DAYS FROM DATE OF PURCHASE OR REGISTER ON-LINE AT www.ghpgroupinc.com

NAME: _____ PHONE: () _____ EMAIL: _____
ADDRESS: _____ CITY: _____ STATE: _____ ZIP: _____
MODEL: _____ SERIAL #: _____ DATE PURCHASED: _____
DEALER PURCHASED FROM: _____ TYPE OF STORE: _____
CITY & STATE WHERE PURCHASED: _____ PRICE PAID: _____

Please Take a Minute To Give Us Your Answers To The Following Questions.

All Responses Are Used Solely For Market Research And Are Held In Strict Confidence.

Who primarily decided this purchase? Male Female 18-24 25-39 40-59 60 and over

Purpose of Purchase? _____

Do you own any other portable heaters? Yes No If yes, type _____ brand _____

How do you intend to use your new heater? Construction Site Farm Warehouse/Commercial Garage/Outbuilding Other

How did you become aware of this heater? In-Store Display Newspaper Ad Magazine Ad Friend/Relative

TV Commercial Store Salesperson Other _____

What made you select this heater? Style Size/Portability Price Package Brand Other _____

Do you: own rent Would you recommend this heater to a friend? Yes No

Please give us your comments: _____

THANK YOU FOR COMPLETING THIS FORM!

Information will be held confidential.

WARRANTY REGISTRATION

IMPORTANT: We urge you to fill out your warranty registration card within fourteen (14) days of date of purchase. You can also register your warranty on the internet at www.ghpgroupinc.com. Complete the entire serial number. Retain this portion of the card for your records.



GHP Group, Inc.
6440 W Howard St
Niles, IL 60714-3302

Tel: (877) 447-4768
www.ghpgroupinc.com

SAVE THIS CARD!

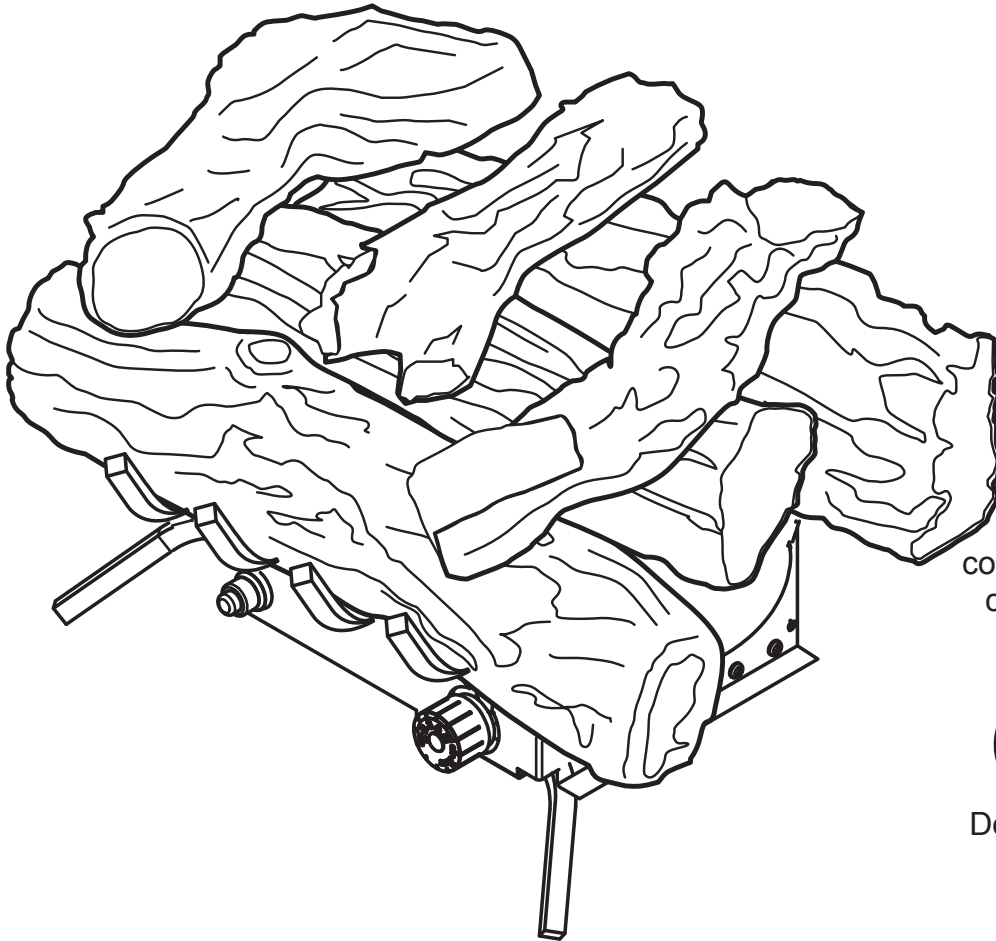
Place
Postage
Stamp
Here

GHP Group, Inc.
6440 W Howard St
Niles, IL 60714-3302

Pleasant Hearth®

**JUEGO DE LEÑOS SIMULADOS
A GAS SIN VENTILACIÓN**

MODELO # VFL3-SO18DT
VFL3-EO18DT
VFL3-SO24DT
VFL3-WW24DT
VFL3-RW24DT



Sistema de combustible doble con patente en trámite



Doble combustible



US

ANS Z21.11.2 2019

INSTALADOR: deje este manual junto al electrodoméstico.
CONSUMIDOR: conserve este manual para referencia futura.

⚠ ADVERTENCIA: este electrodoméstico está equipado para funcionar con gas (natural y propano). No se permiten conversiones que no sean a gas natural o gas propano.



¿Preguntas, problemas, piezas faltantes? Antes de volver a la tienda, llame a nuestro Departamento de Servicio al Cliente al 1-877-447-4768, de lunes a viernes de 8:30 a.m. a 4:30 p.m., hora central estándar, o envíenos un correo electrónico a customerservice@ghpgroupinc.com.

ÍNDICE

Especificaciones	37
Información de seguridad	38
Contenido del paquete	41
Características del producto	42
Preparación para la instalación	43 - 45
Instalación	46 - 56
Desembalaje.....	51
Instrucciones de ensamblaje	57 - 59
Funcionamiento	60 - 62
Cuidado y mantenimiento.....	63 - 64
Solución de problemas	65 - 67
Piezas de repuesto.....	68
Garantía.....	69

ESPECIFICACIONES

ARTÍCULO	VFL3-SO18DT VFL3-EO18DT		VFL3-SO24DT VFL3-WW24DT VFL3-RW24DT	
	30,000 BTU/Hr		30,000 BTU/Hr	
Clasificación de entrada	30,000 BTU/Hr		30,000 BTU/Hr	
Clasificación de entrada mínima	15,000 BTU/Hr	24,000 BTU/Hr	15,000 BTU/Hr	24,000 BTU/Hr
Tipo de gas	Natural	Propano	Natural	Propano
Encendido	Electrónico de botón	Electrónico de botón	Electrónico de botón	Electrónico de botón
Presión del distribuidor múltiple	12,45 mbar	24,91 mbar	12,45 mbar	24,91 mbar
Presión de entrada de gas (*para regular la entrada de gas)				
Máximo	34,87 mbar	34,87 mbar	34,87 mbar	34,87 mbar
Mínimo*	14,94 mbar	27,4 mbar	14,94 mbar	27,4 mbar

CONSEJOS DE SERVICIO

Cuando la presión de gas sea demasiado baja:

- El piloto no permanecerá encendido
- Los quemadores tendrán un encendido retardado
- El calentador no producirá el calor especificado
- Para unidades de propano/PL, el suministro de gas propano/PL puede ser bajo
- Es posible que sienta que la presión del gas es demasiado baja. Si es así, comuníquese con su proveedor local de gas natural o propano/PL.

! PRECAUCIÓN: PARA SU SEGURIDAD

! **ADVERTENCIA: SI NO SE SIGUE CON PRECISIÓN LA INFORMACIÓN DE ESTE MANUAL, SE PODRÍA PRODUCIR INCENDIOS O EXPLOSIONES QUE RESULTEN EN DAÑOS MATERIALES, LESIONES PERSONALES O LA MUERTE.**

- No almacene ni utilice gasolina ni otros vapores o líquidos inflamables cerca de este o cualquier otro electrodoméstico.

QUÉ HACER SI HUELE GAS

- No intente encender ningún electrodoméstico.
- No toque ningún interruptor eléctrico; no utilice ningún teléfono en el edificio.
- Desde el teléfono de un vecino, llame inmediatamente a su proveedor de gas. Siga las instrucciones del proveedor de gas.
- Si no puede comunicarse con su proveedor de gas, llame al departamento de bomberos.
- La instalación y la reparación deben estar a cargo de personal calificado, una empresa de servicio o el proveedor de gas.

Este calentador es de combustión a gas y no posee ventilación. Utiliza el aire (oxígeno) de la habitación donde está instalado. Se deben tomar las precauciones necesarias para una adecuada combustión y ventilación del aire. Consulte la sección Aire para la combustión y ventilación en la página 43 de este manual.

Este electrodoméstico puede instalarse en una casa (móvil) de mercado secundario fabricada para una ubicación permanente, siempre que lo permitan las regulaciones locales. Este electrodoméstico solo debe usarse con propano o gas natural. Este electrodoméstico está equipado con un método simple de cambiar entre propano y gas natural. La conversión en el lugar de uso mediante otros métodos, lo que incluye el uso de un kit, está prohibido.

! Las instrucciones de instalación de un electrodoméstico para su instalación sobre pisos combustibles deben especificar que cuando el electrodoméstico se instala directamente sobre alfombras, baldosas u otro material combustible que no sea un piso de madera, el electrodoméstico debe instalarse sobre un panel de metal o madera que se extienda en todo el ancho y la profundidad del electrodoméstico.

! **ADVERTENCIA:** lea estas instrucciones de instalación y funcionamiento antes de utilizar el electrodoméstico.
IMPORTANTE: lea con atención todas las instrucciones y advertencias antes de comenzar la instalación. Si no se siguen las instrucciones, se pueden provocar posibles lesiones personales o un riesgo de incendio, lo que anulará la garantía.

! **ADVERTENCIA:** no intente acceder o cambiar la configuración de los medios de selección de combustible. El acceso y ajuste de los medios de selección de combustible solo debe estar a cargo de una persona de servicio calificada en el momento de conectar este electrodoméstico a un suministro de combustible especificado durante la instalación.

El cambio de la configuración del selector a un tipo de combustible diferente al especificado en el momento de la instalación podría dañar este electrodoméstico y dejarlo inoperable.

El instalador deberá volver a colocar la cubierta de acceso antes de completar la instalación y operar este electrodoméstico.

INFORMACIÓN DE SEGURIDAD


IMPORTANTE: lea y comprenda este manual del usuario con atención y en su totalidad antes de intentar ensamblar, poner en funcionamiento o reparar este calentador. El uso indebido de este calentador puede provocar lesiones graves o la muerte por quemaduras, incendio, explosión, descarga eléctrica y envenenamiento por monóxido de carbono.

ADVERTENCIA: PELIGRO DE INCENDIO, EXPLOSIÓN Y ASFIXIA

Si se efectúa de forma inadecuada un ajuste, alteración, servicio, mantenimiento o instalación de este calentador o sus controles, se puede causar la muerte o lesiones graves.

Lea y siga las instrucciones y precauciones en el Manual de información del usuario proporcionado con este calentador.

La instalación y reparación de este producto deben estar a cargo solo de personal calificado para la instalación, una empresa de servicio o el proveedor de gas local.

 **ADVERTENCIA:** no almacene ni utilice gasolina y otros vapores o líquidos inflamables cerca de este o cualquier otro electrodoméstico.

 **ADVERTENCIA:** este electrodoméstico se puede usar con gas propano o gas natural. Se envía de fábrica configurado para usarse con propano.

ENVENENAMIENTO POR MONÓXIDO DE CARBONO: los primeros síntomas del envenenamiento por monóxido de carbono se asemejan a los de la gripe, con dolores de cabeza, mareos o náuseas. Si usted presenta estos síntomas, es posible que el calentador no funcione correctamente. Tome aire fresco de inmediato. Haga reparar el calentador. Algunas personas se ven más afectadas que otras por el monóxido de carbono. Entre ellas se encuentran mujeres embarazadas, personas con enfermedades cardíacas o respiratorias, personas anémicas, personas que se encuentran bajo los efectos del alcohol y personas que viven en alturas elevadas.

GAS NATURAL Y PROPANO/PL: los gases natural y propano/PL son inodoros. Se le agrega un agente que produce olor al gas. El olor ayuda a detectar cualquier fuga. Sin embargo, el agente que produce olor puede desvanecerse. Puede haber gas aunque no haya olor. Asegúrese de leer y comprender todas las advertencias. Guarde este manual para referencia futura. Aquí encontrará las instrucciones para utilizar el calentador de forma segura.

ADVERTENCIA:

- Debido a las altas temperaturas, coloque el aparato fuera de las zonas por donde se transita y lejos de muebles y cortinas.
- El calentador alcanza temperaturas muy altas cuando está en funcionamiento. Mantenga a los niños y los adultos lejos de las superficies calientes para evitar quemaduras o que la ropa se encienda. El calentador estará caliente durante un tiempo después de su apagado. Deje que las superficies se enfrien antes de tocarlas.
- Vigile atentamente a los niños cuando se encuentren en la habitación donde está el calentador.
- No coloque ropa ni otro material inflamable sobre o cerca del electrodoméstico. Nunca coloque objetos en el calentador.
- Solo una persona calificada debe realizar la instalación y reparación del electrodoméstico. Una persona profesional calificada debe inspeccionar el calentador antes de cada uso y al menos una vez al año. Es posible que se requiera de una limpieza más frecuente debido al exceso de pelusas de alfombras, ropa de cama, etc. Es fundamental que los compartimientos de control, quemadores y los pasajes de circulación de aire del electrodoméstico se mantengan limpios.
- Cualquier modificación al calentador o sus controles puede ser peligrosa.
- No utilice ningún accesorio que no esté aprobado para su uso con este calentador.
- Mantenga el área del electrodoméstico limpia y libre de materiales combustibles, gasolina y otros vapores o líquidos inflamables.
- Este electrodoméstico está diseñado para brindar calor adicional.

INFORMACIÓN DE SEGURIDAD

ADVERTENCIA

Este producto y los combustibles utilizados para operar este producto (propano líquido o gas natural), y los productos de la combustión de dichos combustibles, pueden exponerlo a productos químicos, incluido el benceno, que el estado de California reconoce como causante de cáncer, anomalías congénitas y otros daños reproductivos.

Para obtener más información, visite www.p65Warnings.ca.gov

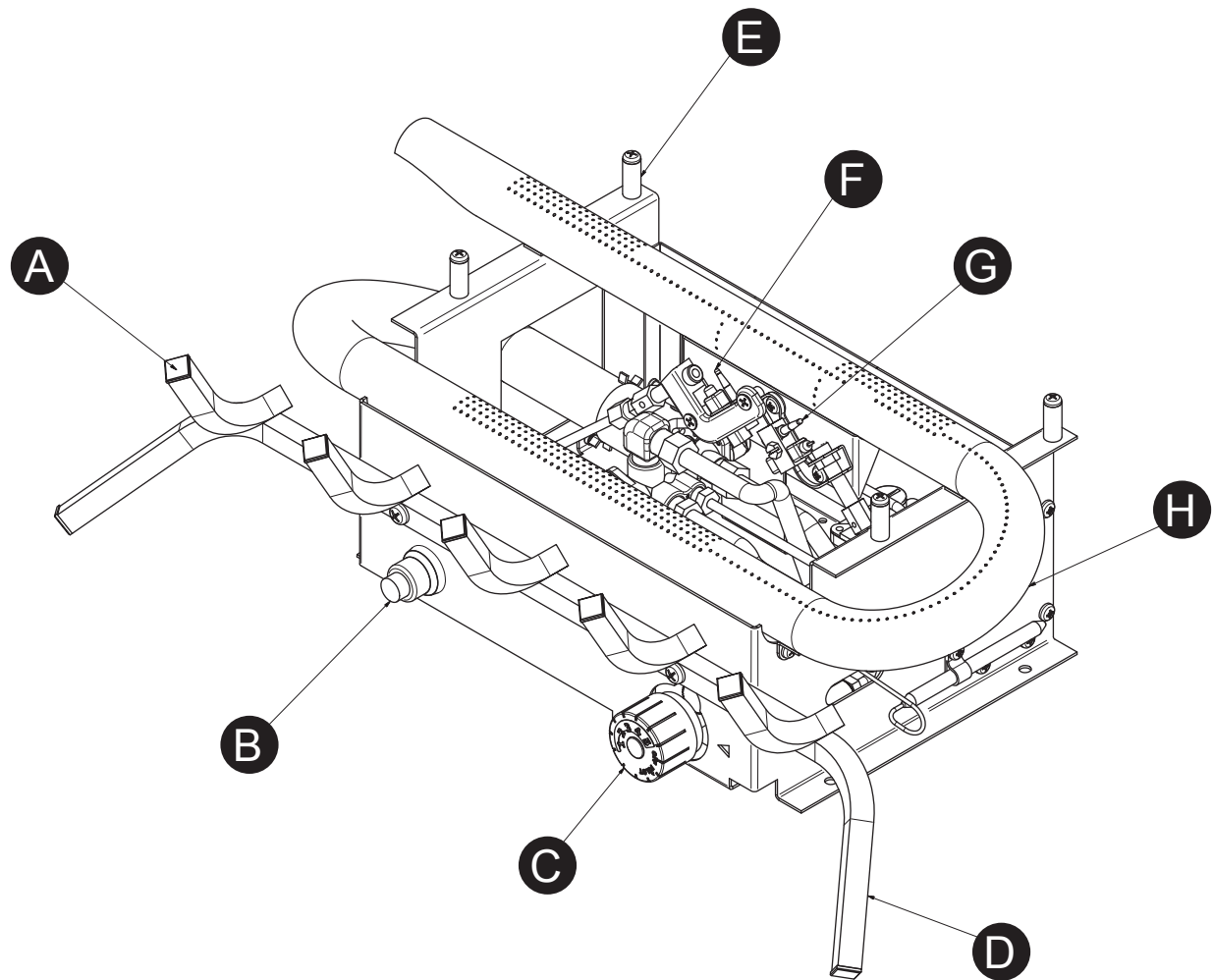
1. Este electrodoméstico está diseñado para su uso solo con el tipo de gas indicado en la placa de clasificación. No se puede convertir para uso con otros tipos de gas.
2. No ubique el tanque de suministro de propano/PL en el interior de ninguna estructura. Ubique el tanque de suministro de propano/PL en el exterior.
3. Si percibe olor a gas:
 - Cierre el suministro de gas.
 - No intente encender ningún electrodoméstico.
 - No toque ningún interruptor eléctrico; no utilice ningún teléfono en el edificio.
 - Desde el teléfono de un vecino, llame inmediatamente a su proveedor de gas. Siga las instrucciones del proveedor de gas.
 - Si no puede comunicarse con su proveedor de gas, llame al departamento de bomberos.
4. No se debe instalar este calentador en el dormitorio ni en el baño.
5. No use leña con este calentador. Solo use los leños que incluye este producto.
6. No agregue más leños ni ornamentos, como piñas, vermiculita o lana mineral, pues ellos facilitan la producción de hollín. No agregue roca de lava dentro del calentador; solamente alrededor del exterior del calentador.
7. Este calentador está diseñado para no producir humo. Si pareciera que los leños producen humo, apague el calentador y llame a un técnico calificado. Nota: durante el primer uso, es posible que haya un poco de humo debido al curado de los leños y a la combustión de los residuos de fabricación.
8. Para evitar que se produzca hollín, siga las instrucciones de Cuidado y mantenimiento, páginas 63 a 64.
9. Apague el calentador antes de utilizar pulidor para muebles, cera, productos de limpieza para alfombras o productos similares. Si se calientan, los vapores de estos productos pueden producir un residuo en forma de polvo blanco dentro de la caja del quemador o en las paredes y muebles cercanos.
10. Este calentador necesita que la ventilación de aire fresco sea adecuada. El calentador posee un sistema de apagado de seguridad por medio de un sensor de agotamiento de oxígeno (ODS, por sus siglas en inglés). El ODS apaga el calentador si no hay suficiente cantidad de aire fresco. Consulte la sección Aire para la combustión y ventilación, página 43. Si el calentador sigue apagándose, consulte Solución de problemas, página 69.
11. No ponga en funcionamiento el calentador:
 - En lugares donde se almacenen o utilicen vapores o líquidos inflamables.
 - En condiciones donde hay mucho polvo.
12. No utilice este calentador para cocinar alimentos o quemar papeles u otros objetos.
13. Nunca coloque objetos en el calentador o en los leños.
14. No utilice el calentador si alguna de sus piezas estuvo sumergida en agua. Llame de inmediato a un técnico calificado a fin de que inspeccione el calentador de habitación y reemplace cualquier pieza del sistema de control y cualquier control de gas que haya estado bajo agua.
15. Apague y desenchufe el calentador y déjelo enfriar antes de darle servicio. Solo un técnico calificado debe realizar el mantenimiento o reparar el calentador.
16. El uso del calentador a alturas superiores a los 1.372 metros puede hacer que se apague el piloto.
17. No opere el calentador si el leño está roto. No use el calentador si un leño está astillado (del tamaño de una moneda o más).
18. Para evitar problemas de funcionamiento, no utilice tanques de propano/PL con capacidad menor a 45,35 kg.
19. Proporcione espacio libre adecuado alrededor de las aberturas de aire.

AGENCIA DE INSTALACIÓN CALIFICADA

La instalación y el reemplazo de tuberías de gas, de equipos o de accesorios para la utilización de gas y la reparación y el mantenimiento de los equipos deben estar a cargo solo de una agencia calificada. El término "agencia calificada" significa cualquier persona, empresa, corporación o compañía que, en persona o por medio de un representante, sea responsable de:

- a) Instalar, probar o reemplazar tuberías de gas; o
- b) Conectar, instalar, probar, reparar o realizar mantenimiento de equipos; que tenga experiencia en este tipo de trabajos; que esté al tanto de todas las precauciones necesarias y que cumpla con todas las exigencias de las autoridades que tienen jurisdicción.

CONTENIDO DEL PAQUETE



Artículo	Descripción
A	Tapa de rejilla
B	Encendedor a batería
C	Válvula de control termostática
D	Rajilla
E	Pasadores de fijación de los leños
F	Piloto ODS de GN
G	Piloto ODS de PL
H	Tubo quemador

CARACTERÍSTICAS DEL PRODUCTO

Este juego de leños está probado y aprobado por la Norma ANS Z21.11.2 2019 para los calentadores sin ventilación y se puede usar con el regulador de tiro cerrado. Los códigos locales y estatales de algunas áreas prohíben el uso de calentadores de tiro natural.

CAPACIDAD DE COMBUSTIBLE DOBLE

El calentador está diseñado para funcionar con gas propano o con gas natural. El calentador se envía de fábrica listo para conectarse a gas propano. Para cambiarlo fácilmente a gas natural, el instalador calificado debe seguir las instrucciones de la página 52 y las indicaciones que aparecen en el calentador.

PILOTO DE SEGURIDAD

El calentador posee un piloto que cuenta con un sistema de apagado de seguridad por medio de un sensor de agotamiento de oxígeno (ODS, por sus siglas en inglés). El ODS/piloto apaga el calentador si no hay suficiente aire fresco y corta el gas hacia el quemador principal en caso de que se apague la llama.

SISTEMA DE ENCENDIDO ELÉCTRICO CON BOTÓN PULSADOR

Este calentador está equipado con un sistema de control de botón electrónico. Este sistema requiere una batería AAA (incluida).

CONTROL DE CALOR DEL TERMOSTATO

El control enciende y apaga automáticamente el quemador para mantener la temperatura ambiente deseada (consulte la página 61).

Estado de Massachusetts: la instalación debe estar a cargo de un plomero o un gasista certificado por Commonwealth of Massachusetts. Los vendedores de calentadores a gas sin ventilación suplementarios de habitación deben proporcionar a cada comprador una copia del código 527 CMR 30 con la compra de la unidad.

En el estado de Massachusetts, se prohíben los calentadores a gas sin ventilación en dormitorios y baños.

En el estado de Massachusetts, la válvula para gas debe ser tipo manija en T. El estado de Massachusetts exige que ningún conector flexible del electrodoméstico supere los 0,91 m de longitud.

CÓDIGOS LOCALES

Instale y utilice el calentador con precaución. Respete todos los códigos. Si no existen códigos locales, utilice la última edición del Código nacional de gas combustible, ANSI Z223.1, también conocido como NFPA 54*.

* Disponible en:

American National Standard Institute, Inc.
1430 Broadway
New York, NY 10018

National Fire Protection Association, Inc.
1 Batterymarch Park
Quincy, MA 02269-9101

Este calentador está diseñado para un funcionamiento de tiro natural. Los códigos locales y estatales de algunas áreas prohíben el uso de calentadores de tiro natural.

La instalación de electrodomésticos diseñados para casas prefabricadas (solo EE.UU.) o la instalación de casas móviles debe cumplir con la Norma CAN/CSA Z240 MH para viviendas móviles en Canadá, o con la Norma de seguridad y construcción de casas prefabricadas, Título 24 CFR, Sección 3280, en los Estados Unidos, o cuando dicho estándar no sea aplicable, ANSI/NCSCS A225.1/NFPA 501A, Norma de instalaciones de viviendas prefabricadas.

PREPARACIÓN PARA LA INSTALACIÓN

VAPOR DE AGUA: UN PRODUCTO DERIVADO DE LOS CALENTADORES DE HABITACIÓN SIN VENTILACIÓN

El vapor de agua es un producto derivado de la combustión de gas. Un calentador de habitación sin ventilación produce aproximadamente 29,57 ml (1 onza) de agua por cada 1000 BTU (0,29 kW) de entrada de gas por hora. Los calentadores de habitación sin ventilación son recomendables como calefacción suplementaria (una habitación) más que como fuente principal de calefacción (una casa entera). En la mayoría de las aplicaciones de calefacción suplementaria, el vapor de agua no constituye un problema. En la mayoría de las aplicaciones, el vapor de agua contribuye a la baja humedad de la atmósfera que se experimenta en climas fríos.

Los siguientes pasos ayudarán a garantizar que el vapor de agua no se convierta en un problema:

1. Asegúrese de que el calentador sea del tamaño adecuado para la aplicación, así como de que el aire de combustión y el aire de circulación sean apropiados.
2. Si hay humedad elevada, se puede utilizar un deshumidificador para ayudar a reducir el contenido de vapor de agua del aire.
3. No utilice un calentador de habitación sin ventilación como fuente principal de calefacción.

AIRE PARA LA COMBUSTIÓN Y VENTILACIÓN

Este calentador no se debe instalar en una habitación o espacio a menos que se proporcione el volumen requerido de aire para combustión en el interior por medio del método que se describe en el **Código nacional de gas combustible, ANSI Z223.1/NFPA 54**, el Código internacional de gas combustible o los códigos correspondientes.

PRODUCIR UNA VENTILACIÓN ADECUADA

Todos los espacios en los hogares se clasifican en una de las siguientes tres clasificaciones de ventilación:

1. Construcción inusualmente estrecha
2. Espacio no confinado
3. Espacio confinado

La información de las páginas 43 a 45 lo ayudará a clasificar su espacio y proporcionar una ventilación adecuada.

Espacio confinado y no confinado

Un espacio reducido es aquel cuyo volumen es menor a 50 pies cúbicos por 1000 BTU/hr (4,41 m³ por kW) del nivel total de entrada de todos los aparatos instalados en ese espacio. También define un espacio amplio como aquel cuyo volumen es no inferior a 50 pies cúbicos por 1000 BTU/hr (4,41 m³ por kW) del nivel total de entrada de todos los aparatos instalados en ese espacio. Las habitaciones que se conectan directamente con el espacio donde están instalados los electrodomésticos*, a través de aberturas sin puertas, se consideran parte del espacio amplio. No se debe instalar este calentador en un espacio reducido o excepcionalmente hermético a menos que se tomen las precauciones necesarias para lograr una combustión y ventilación del aire adecuadas.

* Los cuartos contiguos se consideran conectados solo si existen aberturas sin puerta o rejillas de ventilación entre ellos.

Construcción excepcionalmente hermética

El aire que logra filtrarse por puertas y ventanas puede proporcionar suficiente aire fresco para la combustión y la ventilación. Sin embargo, en edificaciones de construcción excepcionalmente hermética usted debe proporcionar aire fresco adicional.

Una construcción excepcionalmente hermética es aquella que:

- a) posee paredes y techos expuestos a la atmósfera del exterior con un retardador de vapor de agua continuo con una clasificación de una permeabilidad (6 x 10-11 kg por pa-seg-m²) o menor con aberturas con juntas selladas; y
- b) posee burletes en las ventanas que se pueden abrir y en las puertas; y
- c) se le ha aplicado masilla de calafateo o sellador a áreas como las juntas alrededor de las ventanas y los marcos para puertas, entre los largueros de solera y el piso, en las juntas de pared y techo, entre los paneles, en los orificios de las líneas de plomería, eléctricas y de gas, y en otras aberturas.

Si su casa cumple con todas las condiciones mencionadas, debe proporcionar aire fresco adicional. Consulte la sección Aire de ventilación del exterior (página 45). Si su casa no cumple con las tres condiciones mencionadas, su siguiente paso será la Determinación del flujo de aire fresco para la ubicación del calentador:

PREPARACIÓN PARA LA INSTALACIÓN

DETERMINACIÓN DEL FLUJO DE AIRE FRESCO PARA LA UBICACIÓN DEL CALENTADOR

Cómo determinar si posee un espacio reducido o un espacio amplio

Utilice esta hoja de trabajo para determinar si posee un espacio reducido o un espacio amplio.

Espacio: incluye la habitación donde instalará el calentador más cualquier habitación contigua con abertura sin puerta o con rejillas de ventilación entre las habitaciones.

1. Calcule el volumen del espacio: largo \times ancho \times alto = m³ (volumen del espacio)
Ejemplo: tamaño del espacio: 6,09 m (largo) \times 4,87 m (ancho) \times 2,43 m (alto hasta el techo) = 72,49 m³

Si existe ventilación adicional, como rejillas o aberturas, para las habitaciones contiguas, agregue el volumen de estas habitaciones al volumen total del espacio.

2. Divida el volumen del espacio por 1,41 m³ para determinar la capacidad máxima de BTU/hr del espacio. _____ (volumen del espacio) \div 1,41 m³ = (capacidad máxima de BTU/hr del espacio)
Ejemplo: 72,49 m³ (volumen del espacio) \div 1,41 m³ = 51,2 o 51.200 (capacidad máxima de BTU/hr del espacio)

3. Suma el total de BTU/hr de todos los aparatos de combustión del espacio.

Calentador a gas de tiro natural _____ BTU/hr

Calentador de agua a gas* _____ BTU/h

Caldera a gas _____ BTU/h

Calentador a gas con ventilación _____ BTU/h Ejemplo:

Leños del calentador a gas _____ BTU/hr Calentador de agua a gas 30.000 BTU/hr

Otros electrodomésticos a gas*+ _____ BTU/hr Calentador de tiro natural + 26.000 BTU/hr

Total = _____ BTU/h Total = 56.000 BTU/h

* No incluya los electrodomésticos a gas con ventilación directa. La ventilación directa transporta aire para la combustión desde el exterior y desde los conductos de ventilación.

4. Compare la capacidad máxima de BTU/hr del espacio con la cantidad real de BTU/hr que se utiliza. _____ BTU/hr (capacidad máxima del espacio)
_____ BTU/hr (cantidad real de BTU/hr que se utiliza). Ejemplo: 51.200 BTU/hr (capacidad máxima de BTU/hr del espacio) BTU/hr (cantidad real de BTU/hr que se utiliza).

El espacio en el ejemplo anterior es un espacio confinado porque los BTU/hr reales usados es más que los BTU/hr máximos que el espacio puede soportar.

Debe proporcionar aire fresco adicional. Sus opciones son las siguientes:

- a) Reelaborar la hoja de trabajo, agregando el espacio de una habitación contigua. Si el espacio adicional hace que el espacio pueda considerarse amplio, retire la puerta de la habitación contigua o coloque rejillas de ventilación entre las habitaciones. Consulte Aire de ventilación del interior del edificio, página 45.
- b) Ventile la habitación directamente hacia el exterior. Consulte la sección Aire de ventilación del exterior, página 45.
- c) Instale un calentador de menor BTU/hr si esto hace que el espacio pase a ser amplio. Si la cantidad real de BTU/hr que se utiliza es menor que la capacidad máxima de BTU/hr del espacio, el espacio es amplio. No necesitará ventilación de aire fresco adicional.

PREPARACIÓN PARA LA INSTALACIÓN



ADVERTENCIA: si el área en la que funcionará el calentador no cumple con el volumen requerido de aire de combustión en interiores, se debe proporcionar aire de ventilación y combustión por medio de uno de los métodos que se describen en el CÓDIGO NACIONAL DE GAS COMBUSTIBLE, ANSI Z223.1/NFPA 54, el CÓDIGO INTERNACIONAL DE GAS COMBUSTIBLE o los códigos locales correspondientes.

Aire de ventilación del interior del edificio

Este aire fresco proviene de espacios amplios contiguos. Al ventilar hacia un espacio amplio contiguo, debe proporcionar dos aberturas permanentes: una a no más de 30,5 cm de la pared que conecta los dos espacios (consulte las opciones 1 y 2, figura 11). También puede eliminar la puerta que da a una habitación contigua (consulte la opción 3, Fig. 1). Siga el Código nacional de gas combustible NFPA 54/ANS Z223.1. Aire para la combustión y ventilación para conocer el tamaño requerido de los conductos o las rejillas de ventilación.

Aire de ventilación del exterior

Proporcione aire fresco adicional por medio de rejillas o conductos de ventilación. Debe proporcionar dos aberturas permanentes: una a 30,48 cm del techo y una a menos de 30,48 cm del piso. Conecte las aberturas directamente al exterior o espacios abiertos al exterior. Estos espacios incluyen áticos y espacios debajo del piso. Siga el Código nacional de gas combustible NFPA 54/ANS Z223.1. Aire para la combustión y ventilación para conocer el tamaño requerido de los conductos o las rejillas de ventilación.

IMPORTANTE: no coloque aberturas para entrada ni salida de aire hacia el ático si este posee ventilación eléctrica controlada por un termostato. Al ingresar en el ático, el aire caliente activará la ventilación eléctrica. Vuelva a realizar los cálculos, pero esta vez agregue el espacio contiguo. Los espacios combinados deben proporcionar suficiente aire fresco a todos los aparatos de ambos espacios.

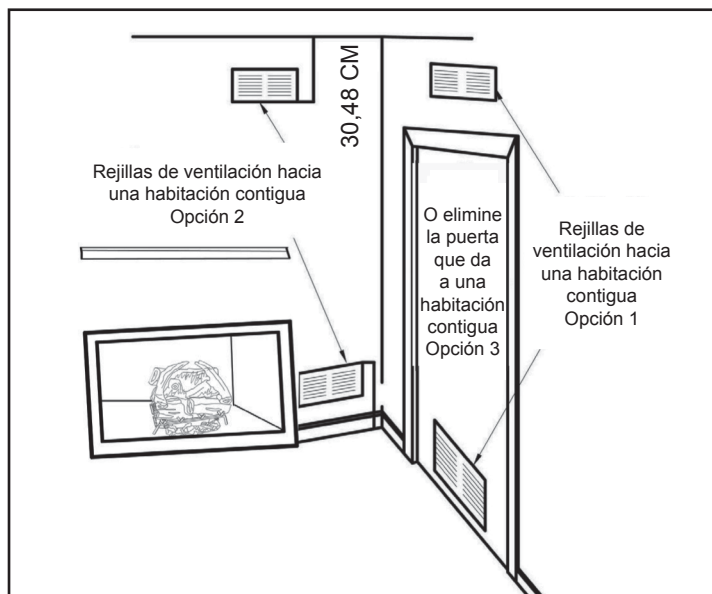


Fig. 1: Aire de ventilación del interior del edificio

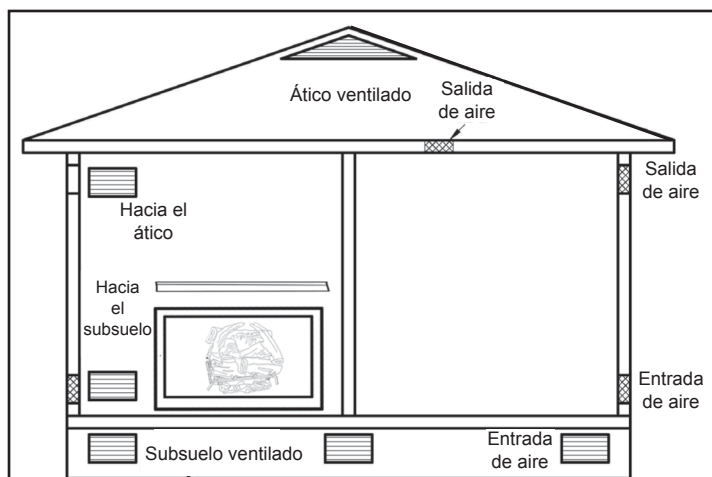


Fig. 2: Aire de ventilación del exterior

INSTALACIÓN

⚠ AVISO: este calentador está diseñado para su uso como calefacción suplementaria. Utilice este calentador junto con su sistema de calefacción principal. No instale este calentador como fuente principal de calefacción. Si posee un sistema de calefacción centralizada, puede encender el soplador de circulación del sistema mientras usa el calentador. Esto ayudará a hacer circular el aire por toda la casa.

⚠ ADVERTENCIA: un técnico calificado debe realizar la instalación. Respete todos los códigos locales

⚠ ADVERTENCIA: nunca instale el calentador:

- En un dormitorio o baño
- En un vehículo recreativo
- En lugares donde haya cortinas, muebles, telas u otros objetos inflamables a menos de 106,68 cm del frente, de la parte superior o de los lados del calentador.
- En áreas muy transitadas
- En áreas de viento o corrientes de aire

PRECAUCIÓN: este calentador crea corrientes de aire caliente. Estas corrientes llevan el calor a las superficies de las paredes cercanas al calentador. La instalación del calentador cerca de revestimientos de pared de vinilo o tela o el uso del calentador donde haya impurezas en el aire (como humo de tabaco, velas aromáticas, líquidos de limpieza, lámparas a aceite o queroseno) puede decolorar las paredes.

⚠ ADVERTENCIA: Las puertas de vidrio deben estar completamente abiertas cuando el electrodoméstico esté en funcionamiento.

⚠ ADVERTENCIA: antes de instalar una chimenea que quema combustibles sólidos, una persona calificada para la limpieza de chimeneas debe limpiar el tiro y la cámara de combustión para eliminar el hollín, la creosota, las cenizas y la pintura desprendida.

⚠ ADVERTENCIA: no permita que los ventiladores soplen directamente a la chimenea. Evite corrientes de aire que alteren el comportamiento de la llama en el quemador.

⚠ ADVERTENCIA: no utilice ningún tipo de accesorio de soplador, accesorio para intercambio de calor ni ningún otro accesorio que no esté aprobado para su uso con este calentador.

IMPORTANTE: los calentadores de tiro natural agregan humedad al aire. Aunque esto es beneficioso, instalar el calentador en habitaciones sin la ventilación suficiente puede hacer que se forme moho debido al exceso de humedad. Consulte la sección Aire para la combustión y ventilación, páginas 43 a 48.

VERIFIQUE EL TIPO DE GAS

Asegúrese de que el suministro de gas sea el adecuado para el calentador.

⚠ ADVERTENCIA: este electrodoméstico está diseñado para instalarse solo en chimeneas de mampostería o de fabricación industrial UL 127 que quemen combustibles sólidos o en una estructura exterior de la cámara de combustión sin ventilación homologado. Excepción: NO instale este electrodoméstico en una chimenea de fabricación industrial cuyas instrucciones establecen que no se ha probado o que no se debería usar con leños simulados a gas sin ventilación.

⚠ ADVERTENCIA: No se deben quemar combustibles sólidos en una chimenea en la que esté instalado un calentador para habitación sin ventilación.

⚠ ADVERTENCIA: todos los conductos de aire exteriores o portacenizas en la chimenea deben estar permanentemente cerrados en el momento de la instalación del electrodoméstico.

INSTALACIÓN

VERIFIQUE EL TIPO DE GAS

Asegúrese de que el suministro de gas sea el adecuado para el juego de leños. Si el suministro no es el adecuado, no instale el calentador. Comuníquese con el distribuidor donde lo adquirió para obtener el juego de leños simulados a gas correcto.

REQUISITOS DE TAMAÑO DE LEÑOS

Tamaño de leños	Tamaño mínimo de la cámara de combustión			
	Altura	Profundidad	Ancho frontal	Ancho posterior
45,72 cm	60,96 cm	35,56 cm	71,12 cm	50,8 cm
60,96 cm	60,96 cm	35,56 cm	81,28 cm	55,88 cm

DISTANCIAS DE SEPARACIÓN DEL CALENTADOR

⚠ PRECAUCIÓN: si instala el calentador en el garaje de una casa:

- El piloto del calentador y el quemador deben estar al menos a 45,72 cm sobre el piso.
- Ubique el calentador donde un vehículo en movimiento no lo golpee.

Para mayor comodidad y eficacia, instale el calentador:

- Donde haya fácil acceso para su operación, inspección y servicio
- En el lugar más frío de la habitación
- Si este electrodoméstico se va a instalar directamente sobre una alfombra, baldosas u otro material combustible, que no sea el suelo de madera, el electrodoméstico debe instalarse sobre un panel de metal o madera que se extienda en todo el ancho y la profundidad del electrodoméstico.

Distancias de separación mínimas para material combustible lateral, pared lateral y techo

- A. La distancia de separación desde el costado del gabinete del calentador a cualquier material y pared combustibles deben seguir el diagrama en la Fig. 3.
- B. La distancia de separación ente la parte superior de la abertura del calentador y el techo debe ser mayor que 91,44 cm.

⚠ ADVERTENCIA: respete las distancias de separación mínimas. Si puede, proporcione distancias mayores con respecto al piso, al techo y a las paredes contiguas que las requeridas.

Fig. 3

Distancia de separación mínima de la chimenea de materiales combustibles		
Tamaño de leños	Desde el borde de la abertura de la chimenea hasta la pared lateral	Desde lo alto de la chimenea hasta el techo
45,72 cm	40,64 cm	106,68 cm
60,96 cm	40,64 cm	106,68 cm

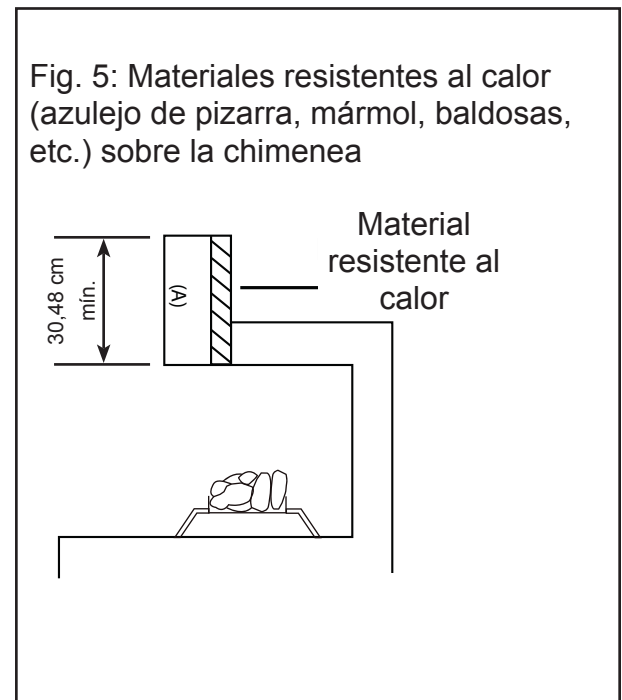
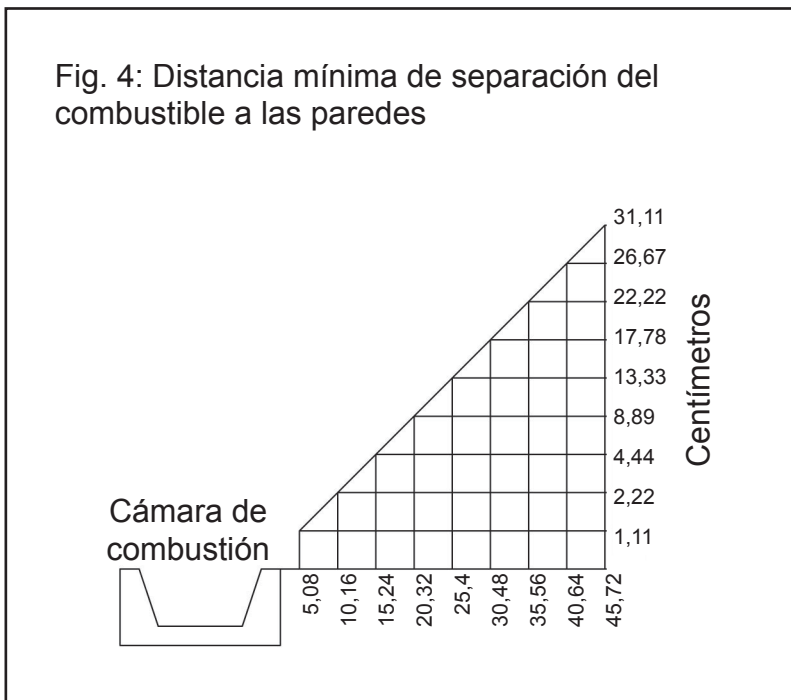
⚠ ADVERTENCIA: selle cualquier respiradero de aire fresco o puertas libres de cenizas ubicados en el piso o la pared de la chimenea para evitar corrientes de aire causadas por cortes de electricidad del piloto u hollín. Use un sellador resistente al calor. No selle el regulador de tiro de la chimenea.

INSTALACIÓN

DISTANCIA DE SEPARACIÓN MÍNIMA PARA MATERIALES NO COMBUSTIBLES

Si no usa una repisa para chimenea

Debe tener material(es) no combustible(s) sobre la abertura de la chimenea. Los materiales no combustibles (como pizarra, mármol, baldosa, etc.) deben tener un mínimo de 1,27 cm de espesor. Debe tener material no combustible detrás de la lámina de metal, tal como un accesorio de campana extractora no combustible para chimenea. Consulte la Fig. 5.



Si usa repisas para chimenea

Debe tener material(es) no combustible(s) (como pizarra, mármol, baldosa, etc.) de un mínimo de 1,27 cm de espesor. Debe tener material no combustible detrás de la lámina de metal. El material no combustible debe extenderse un mínimo de 30,48 cm hacia arriba. Consulte la Fig. 7.1 para conocer los requisitos de distancias de separación mínimas.

IMPORTANTE: no se puede operar si no se cumple con la distancia de separación mínima.

INSTALACIÓN

DISTANCIAS DE SEPARACIÓN DE LAS REPISAS PARA CHIMENEA

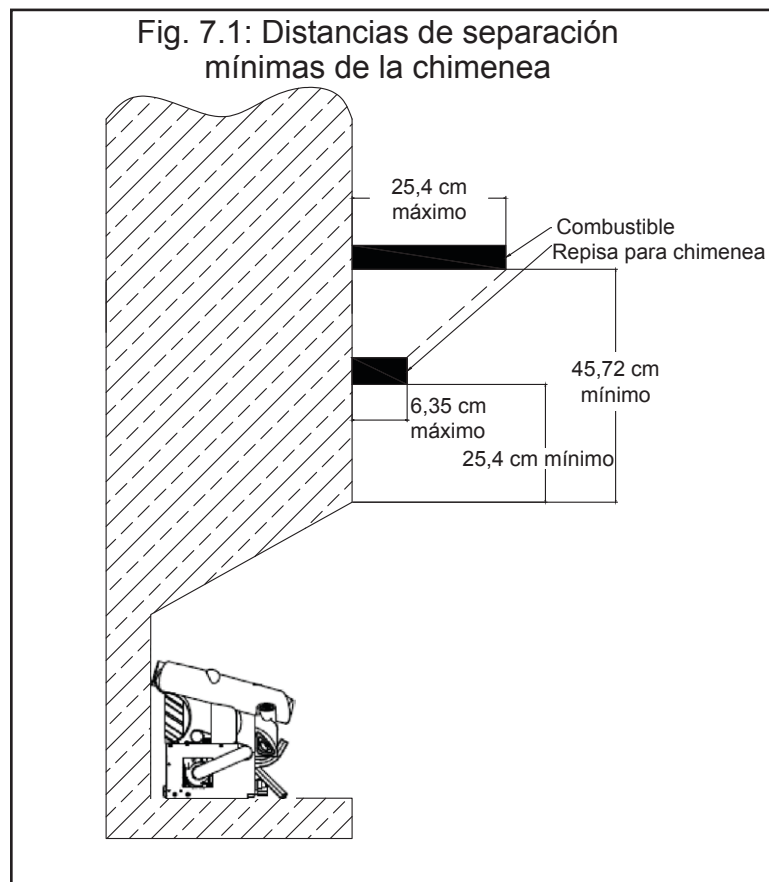
Además de encontrar las distancias de separación del material no combustible, debe encontrar las distancias de separación requeridas entre la abertura y la repisa para chimenea. Si no se cumplen las distancias de separación mencionadas a continuación, deberá elevar la repisa para chimenea.

Determinación de las distancias de separación de las repisas para chimenea

Si cumple con los requisitos de distancia de separación mínima entre la repisa para chimenea y la parte superior de la abertura de la chimenea, su instalación (consulte la Fig. 7.1).

Distancia del material no combustible	Requisitos para el funcionamiento seguro
20,32 cm o más	El material no combustible está autorizado
Menos de 20,32 cm	El material no combustible debe extenderse al menos 20,32 cm. Tenga en cuenta las distancias anteriores de entre 20,32 cm. y 30,48 cm.

Determinación de las distancias de separación de las repisas para chimenea

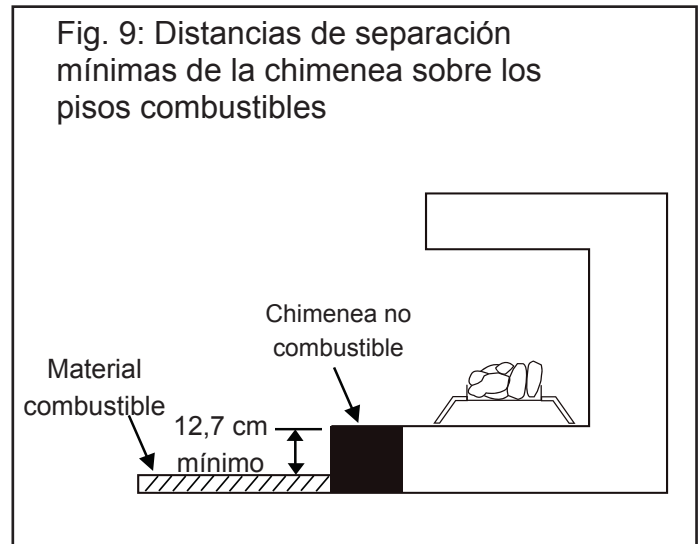
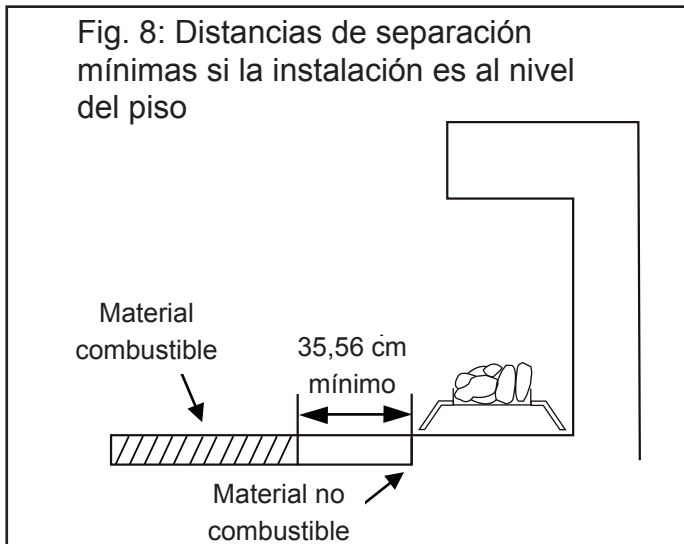


AVISO: la temperatura de la superficie de paredes y repisas para chimenea adyacentes aumenta durante el uso. Las paredes y las repisas para chimenea ubicadas sobre la cámara de combustión pueden calentarse demasiado al tacto. Si la instalación es la correcta, estas temperaturas cumplen el requisito de la norma nacional para el producto. Respete todas las distancias de separación mínimas que se indican en este manual.

INSTALACIÓN

DISTANCIAS DE SEPARACIÓN DEL PISO

- Si instala el electrodoméstico al nivel del piso, debe mantener la distancia mínima de 35,56 cm. de los combustibles (consulte la Fig. 8).
- Si los materiales combustibles están a menos de 35,56 cm. de la chimenea, debe instalar el electrodoméstico al menos a 12,7 cm. sobre los pisos combustibles (consulte la Fig. 9).



INSTALACIÓN



ADVERTENCIA: no colocar las piezas de acuerdo con estos diagramas o no usar solo las piezas aprobadas específicamente con este calentador puede ocasionar daños materiales o lesiones personales.

Antes de comenzar a ensamblar u operar el producto, asegúrese de tener todas las piezas. Compare las piezas con la lista del contenido del paquete. No intente ensamblar, instalar ni utilizar el producto si alguna pieza falta o está dañada. Póngase en contacto con el departamento de Servicio al Cliente para obtener piezas de repuesto.

Tiempo estimado de ensamblaje: 20 minutos

Herramientas necesarias para el ensamblaje (no se incluyen, a menos que se indique lo contrario):

Antes de instalar el calentador, asegúrese de tener lo siguiente:

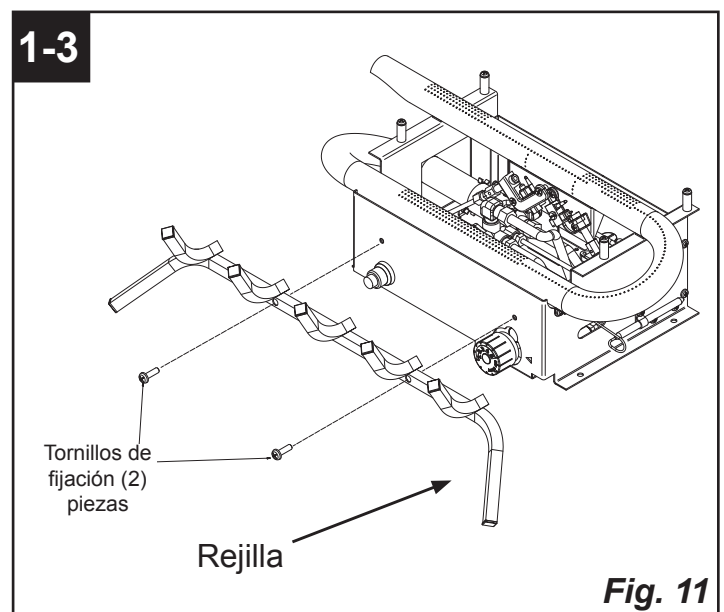
- Paquete de aditamentos (proporcionado con el calentador)
- Manguera de gas flexible aprobada si lo permiten los códigos locales
- Sellador (resistente al gas natural o gas propano/PL)
- Taladro eléctrico con broca de 3/16 pulg.
- Destornillador Phillips
- Regulador externo (suministrado por el instalador, si es necesario)
- Tuberías (consulte los códigos locales)
- Válvula de cierre del equipo
- Conexión del indicador de prueba
- Trampa de sedimentos
- Unión en T
- Llave para tubos
- Conexión abocardada de 3/8" NPT a 1/2"
- Llave Allen

DESEMBALAJE

1. Saque los leños, la rejilla y el ensamble de la base del quemador de la caja. **NOTA:** no levante el ensamble de la base del quemador de los quemadores, ya que esto podría dañar el calentador. Siempre manipule el ensamble de la base tomándolo de la estructura.
2. Retire todo el embalaje de protección colocado en los leños y el calentador para su envío.
3. Verifique que no se hayan producido daños en ninguno de los artículos durante el transporte. Si el calentador está dañado, informe de inmediato al distribuidor a quien se lo compró.

PROCEDIMIENTO DE ENSAMBLAJE DE LA REJILLA

1. Coloque la rejilla frente al quemador de modo que las 2 patas apunten hacia abajo, los "extremos de la rejilla" en los que se asientan los leños apunten hacia arriba y los orificios para tornillos estén alineados con los orificios para tornillos de la unidad del quemador (consulte la Fig. 11).
2. Apriete a mano la parrilla al quemador con (2) tornillos de fijación, cada uno a la misma distancia hasta que ya no sea posible apretar a mano.
3. Termine de apretar cada tornillo de fijación con un destornillador y asegúrese de no apretarlos demasiado.



INSTALACIÓN

INSTRUCCIONES DE SELECCIÓN DE GAS

⚠ ADVERTENCIA: este electrodoméstico se puede usar con gas propano o gas natural. Se envía de fábrica configurado para usarse con propano.

PRECAUCIÓN: la perilla del medio para seleccionar el combustible no debe manipularse ni regularse mientras que el electrodoméstico esté en funcionamiento.

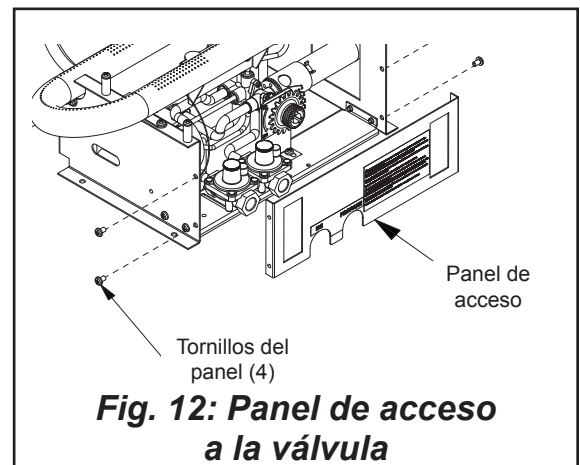
PRECAUCIÓN: se prohíbe instalar dos líneas de gas al mismo tiempo. La placa de acceso al medio de cambio simple no debe abrirse mientras que el calentador esté en funcionamiento.

La instalación y los ajustes solo deben ser realizados por un técnico calificado.

NOTA: si conecta este electrodoméstico a propano, no necesita hacer ajustes. Instale la línea de gas según se indica en el manual del propietario.

Conversión a gas natural:

Paso 1: retire el panel de acceso.

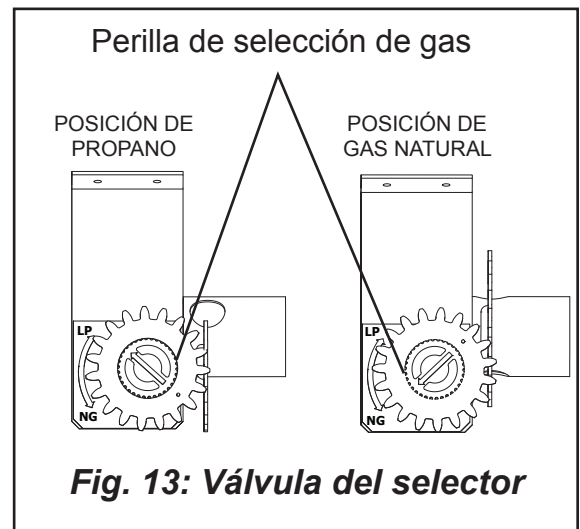


Paso 2: ajuste la válvula del selector de gas. Presione la perilla de la válvula del selector y gírela en dirección contraria a las manecillas del reloj hasta que se detenga. Suelte la perilla (consulte la Fig. 13).

No opere el electrodoméstico entre posiciones bloqueadas.

Paso 3: vuelva a colocar el panel de acceso.

Invierta el paso 2 para volver a convertir a gas propano.



INSTALACIÓN

CONEXIÓN AL SUMINISTRO DE GAS

⚠ ADVERTENCIA: un técnico de mantenimiento calificado debe realizar la conexión del calentador al suministro de gas. Respete todos los códigos locales.

PRECAUCIÓN: nunca conecte el calentador directamente al suministro de gas. Este calentador necesita un regulador externo (no incluido). Se debe instalar el regulador externo entre el suministro de gas y el calentador. El proveedor de gas debe suministrar un regulador externo para el gas natural.

⚠ ADVERTENCIA: no instale el calentador en pozos de gas privados (que no pertenezcan a los servicios públicos). Este gas se conoce comúnmente como gas de pozo.

El instalador debe proveer un regulador externo para propano líquido. El proveedor de gas proporciona un regulador externo para el gas natural. El regulador externo reducirá la presión de la entrada de gas. Debe reducir la presión de la entrada de gas a entre 27,4 y 34,87 mbares para el gas propano y entre 14,94 y 34,87 mbares para el gas natural. Si no reduce la presión de gas entrante, podría dañarse el regulador del calentador. Instale el regulador externo con la salida apuntando hacia abajo, como se muestra en la Fig. 15, para evitar que se congele con la lluvia o el aguanieve.

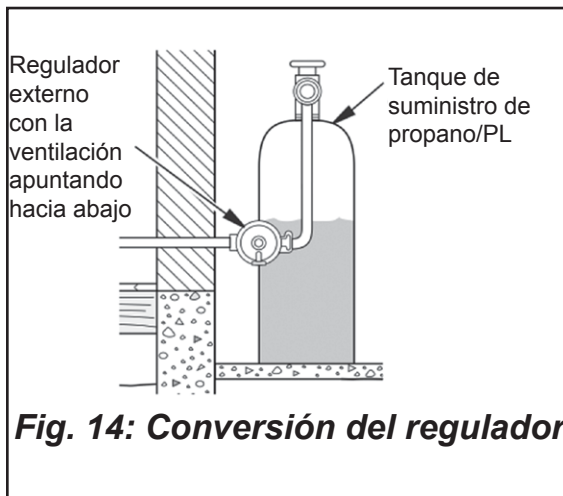


Fig. 14: Conversión del regulador

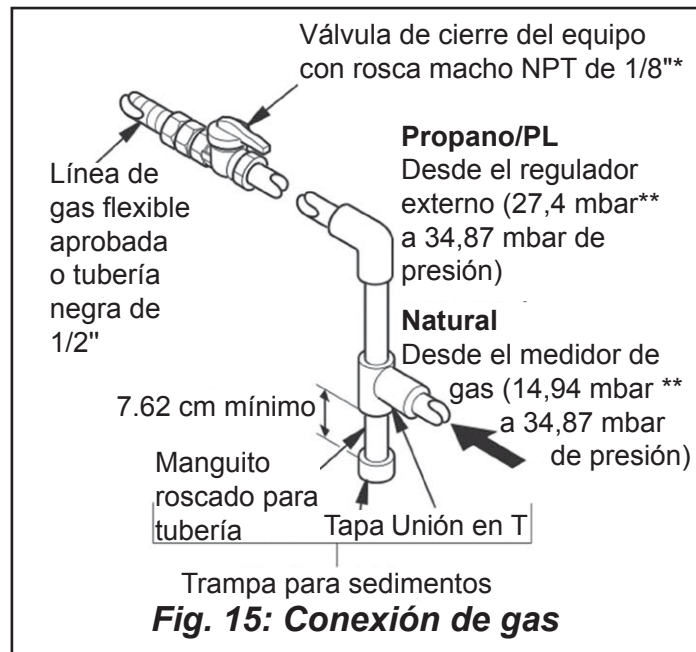


Fig. 15: Conexión de gas

* Compre la válvula de cierre del equipo opcional en su tienda Home Center local.

⚠ PRECAUCIÓN: utilice solo tuberías nuevas de hierro negro o acero. En algunas áreas es posible que se utilicen tuberías de cobre con revestimiento interno de estaño. Revise los códigos locales. Utilice tuberías de diámetro igual o menor a 1/2" para permitir la entrada de un volumen adecuado de gas al calentador. Si la tubería es demasiado pequeña, habrá pérdida de presión. La instalación debe incluir una válvula de cierre del equipo, una conexión y una rosca macho NPT de 1/8" con tapón. Ubique la rosca macho NPT al alcance para probar la conexión del indicador de prueba. La rosca macho NPT debe estar colocada en dirección de la corriente en relación al calentador (consulte la Fig. 15).

IMPORTANTE: instale una válvula de cierre del equipo en un lugar accesible. La válvula de cierre del equipo sirve para abrir o cerrar el paso de gas al aparato. Aplique un poco de sellador para uniones de tuberías a las roscas macho. Esto evitará que el exceso de sellador ingrese a la tubería. Una cantidad excesiva de sellador en la tubería podría taponar las válvulas del calentador.

INSTALACIÓN

⚠ PRECAUCIÓN: utilice sellador para juntas de tuberías que sea resistente al gas (PROPANO O GN) Recomendamos que instale una trampa para sedimentos en la línea de entrada. Coloque la trampa de sedimentos donde se pueda alcanzar para limpiarla y no sea probable que el material atrapado se congele. Instálela en el sistema de tuberías entre el suministro de combustible y el calentador. Las trampas de sedimentos retienen la humedad y los contaminantes. Esto evita que ingresen en los controles del calentador. Si no se instaló la trampa para sedimentos o si se instaló de forma incorrecta, es posible que el calentador no funcione correctamente.

⚠ PRECAUCIÓN: evite dañar el regulador. Sostenga el regulador de gas con la llave al conectarlo a la tubería de gas o a los conectores. Modelos a GN: 14,94 mbar a 34,87 mbar. El proveedor de gas debe suministrar un regulador externo para el gas natural.

Elementos de instalación necesarios (no se proporcionan)

- Llave inglesa ajustable de 8"
- Llave para tubos de 8"
- Línea de gas flexible de 1/2" (mín. 24") o tubería negra de 1/2"
- Conector abocardado de 90 grados de 3/8 NPT x 1/2" o 3/8 NPT x 1/2 NPT
- Sellador (resistente al gas propano [PL])
- Válvula de cierre
- Llave Allen

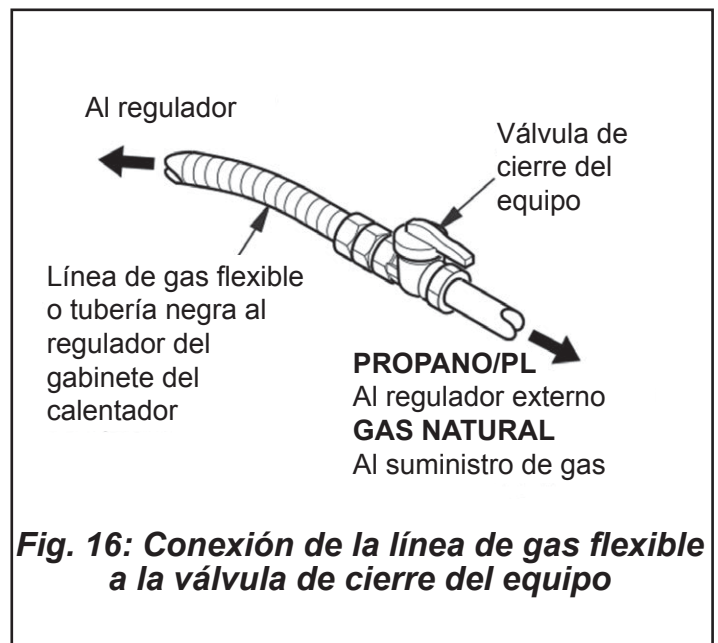
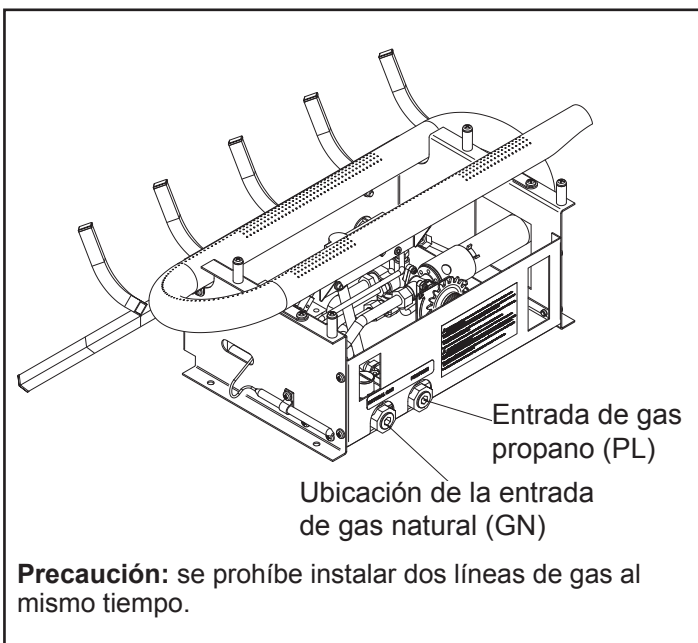
1) Existe una variedad de opciones posibles para enrutar las líneas de conexión de gas dependiendo de dónde se encuentre la línea de suministro de gas.

AVISO: la mayoría de los códigos de construcción no permiten conexiones de gas ocultas. Consulte el código de construcción local antes de utilizar una línea de gas flexible para esta instalación.

2) Identifique la entrada de gas en el calentador que corresponde al tipo de combustible de su instalación. Retire el tapón roscado girándolo en dirección contraria a las manecillas del reloj. Instale un conector de 90 grados, no incluido). Asegúrese de usar un sellador resistente al gas en la conexión de 3/8 NPT. Coloque el conector de modo que la línea de entrada se pueda conectar sin trabamiento.

3) Instale la línea de gas en el conector de 90 grados y conéctela a la válvula de cierre.

4) Revise todas las conexiones para detectar fugas de gas.



INSTALACIÓN

VERIFICACIÓN DE LAS CONEXIONES DE GAS

⚠️ ADVERTENCIA: verifique todas las tuberías y conexiones de gas para detectar fugas después de la instalación o el mantenimiento. Repare todas las fugas de inmediato.

⚠️ ADVERTENCIA: no use nunca una llama directa para detectar fugas. Aplique una mezcla de jabón líquido y agua en todas las juntas. Si se forman burbujas, es posible que haya una fuga. Repare todas las fugas de inmediato.

Prueba de presión Sistema de tuberías del suministro de gas

Revise si hay presiones superiores a 1/2 PSIG (3,5 kPa)

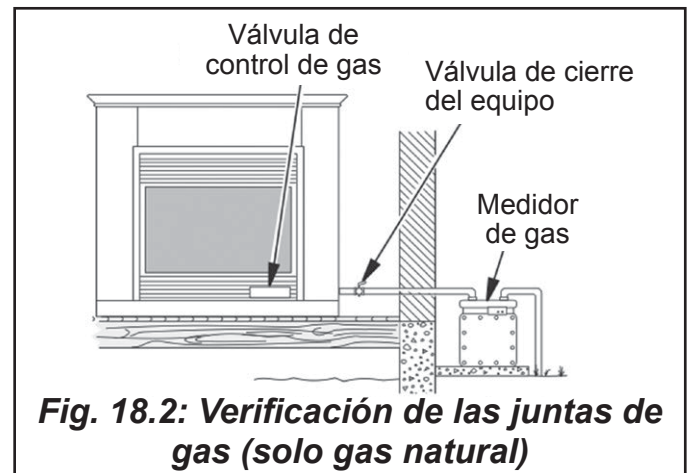
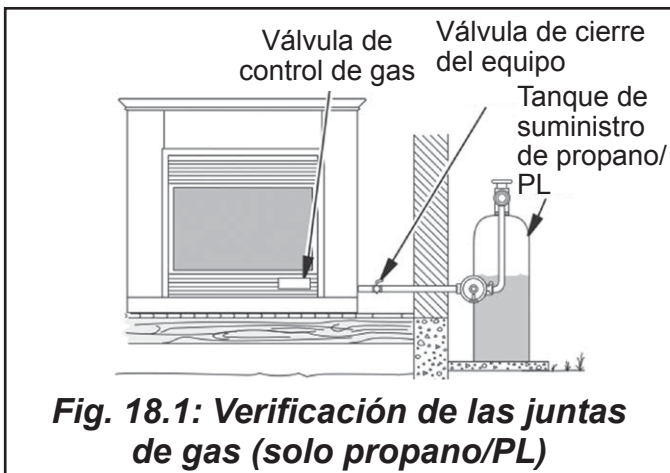
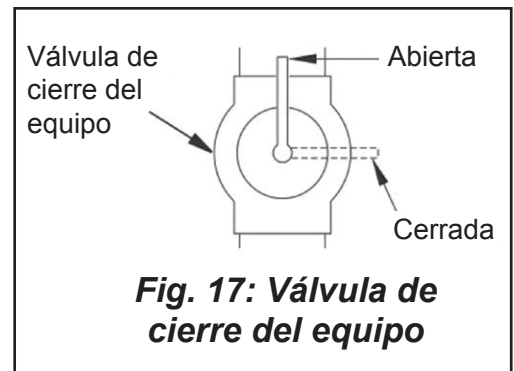
1. Desconecte el calentador con su válvula para gas principal del electrodoméstico (Válvula de control) y válvula de cierre del equipo del sistema de tuberías de suministro de gas. Las presiones superiores a 1/2 PSIG dañan el regulador del calentador.
2. Destape el extremo de la tubería de gas donde la válvula de cierre del equipo estaba conectada.
3. Presurice el sistema de tuberías de suministro de gas con aire comprimido o abriendo la válvula del tanque de suministro de gas.
4. Revise todas las juntas del sistema de tuberías de suministro de gas. Aplique una mezcla de jabón líquido y agua en las juntas de gas. Si se forman burbujas, es posible que haya una fuga.
5. Repare todas las fugas de inmediato.
6. Vuelva a conectar el calentador y la válvula de cierre del equipo al suministro de gas. Revise los conectores que se volvieron a conectar para detectar fugas.

Revise si hay presiones iguales o menores que 1/2 PSIG (3,5 kPa)

1. Cierre la válvula de cierre del equipo (consulte la Fig. 17).
2. Presurice el sistema de tuberías de suministro de gas con aire comprimido o abriendo la válvula del tanque de suministro de gas.
3. Verifique todas las juntas desde el medidor de gas a la válvula de cierre del equipo (consulte las figuras 18.1 o 18.2). Aplique una mezcla de jabón líquido y agua en las juntas de gas. Si se forman burbujas, es posible que haya una fuga.
4. Repare todas las fugas de inmediato.

Prueba de presión de las conexiones de gas del calentador

1. Abra la válvula de cierre del equipo (consulte la Fig. 17).
2. Abra la válvula del tanque de suministro de gas.
3. Asegúrese de que la perilla de control del calentador esté en la posición OFF (apagado).
4. Verifique todas las juntas desde la válvula de cierre del equipo a la válvula de control (consulte las Figs. 18.1 o 18.2). Aplique una mezcla de jabón líquido y agua en las juntas de gas. Si se forman burbujas, es posible que haya una fuga.
5. Encienda el calentador (consulte Funcionamiento, página 58). Revise que no haya fugas en ninguna de las otras juntas internas.
6. Apague el calentador (consulte la sección Para cortar el paso de gas hacia el electrodoméstico, página 58).



INSTALACIÓN

ANTES DE INSTALAR EL ELECTRODOMÉSTICO

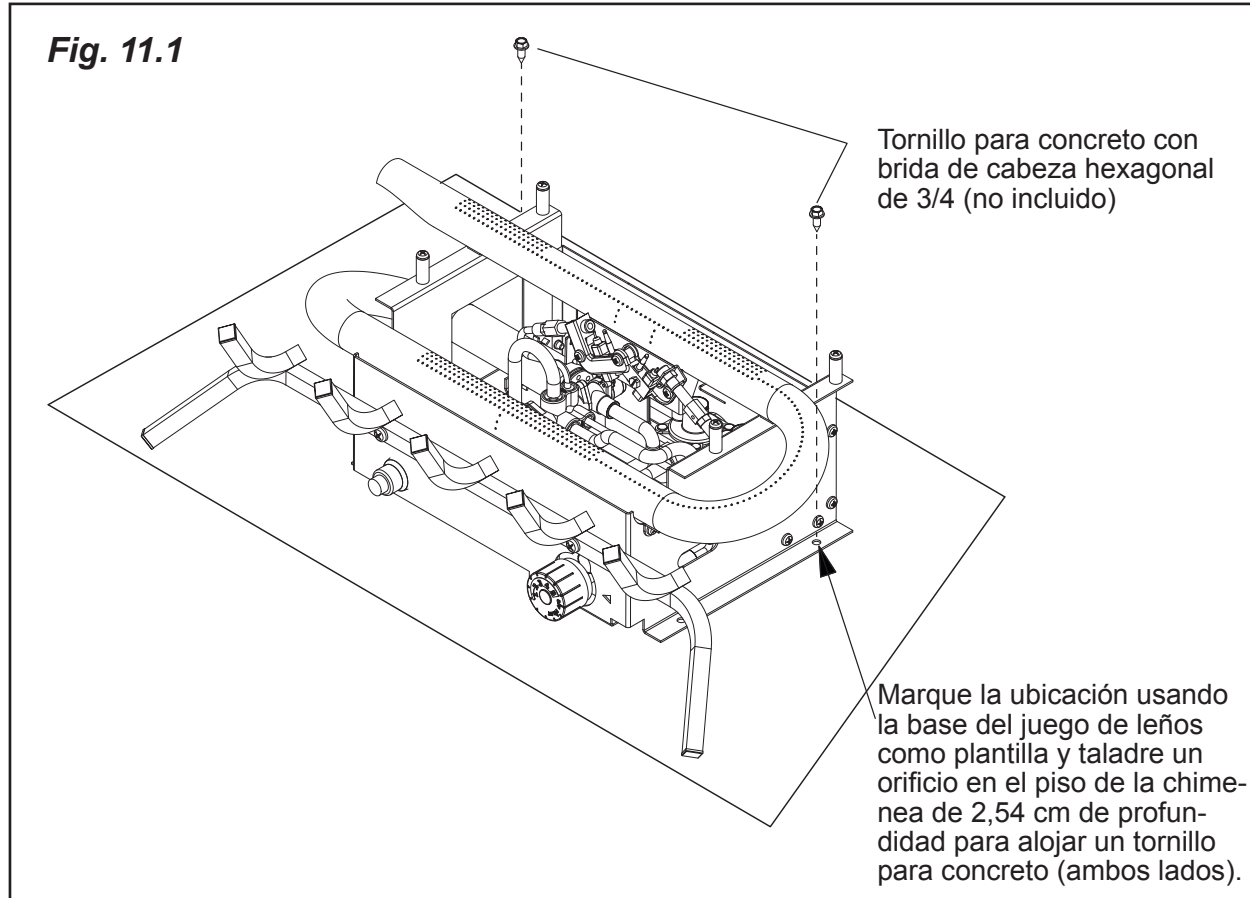
- Cierre el suministro de gas a la chimenea o la cámara de combustión.
- Limpie el piso de la chimenea y la chimenea antes de instalar el juego de leños. Selle toda la ceniza. Limpie el exterior para proteger la unidad de las corrientes de aire descendentes.

PROCEDIMIENTO DE ENSAMBLAJE

- Coloque el ensamble de la parrilla y el quemador en la cámara de combustión con la bandeja delantera mirando hacia delante.
- Taladre dos (2) orificios de 3,96 mm de diámetro de aproximadamente 2,54 cm de profundidad.
- Fije la bandeja delantera al piso con (2) tornillos de fijación para concreto (no incluidos). (Consulte la Fig. 11.1).
- La instalación adecuada de la rejilla es esencial para evitar cualquier movimiento de los leños simulados a gas y los controles durante la operación.

INSTALACIÓN DE ROCA DE LAVA

Coloque la roca de lava alrededor del ensamble del quemador. NO la coloque dentro del calentador o sobre los leños. Coloque la cantidad deseada de rocas de lava únicamente en el piso de la chimenea.



INSTRUCCIONES DE ENSAMBLAJE

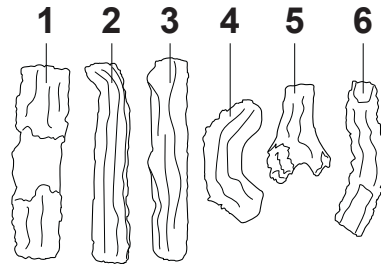
VFL3-SO18DT / VFL3-EO18DT / VFL3-SO24DT

⚠ ADVERTENCIA: no colocar las piezas de acuerdo con estos diagramas o no usar solo las piezas aprobadas específicamente con este calentador puede ocasionar daños materiales o lesiones personales.

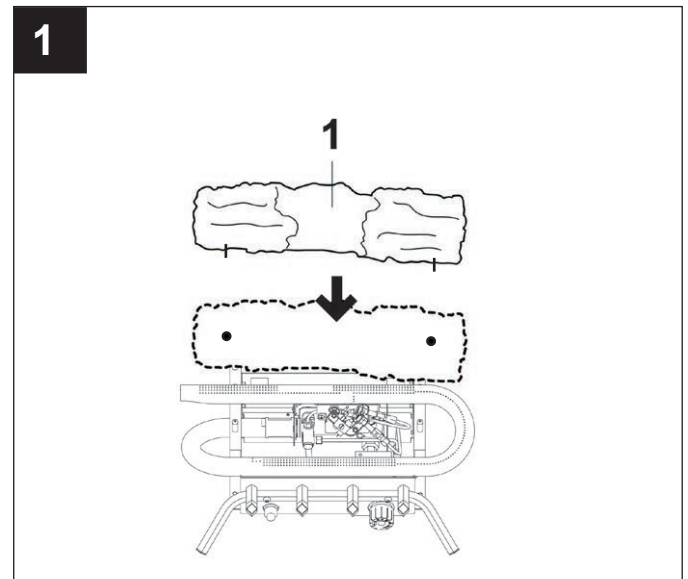
⚠ PRECAUCIÓN: después de la instalación y de forma periódica, compruebe que las llamas amarillas no entren en contacto con los leños. Con el calentador regulado en Alto, verifique si las llamas amarillas entran en contacto con alguno de los leños. Si es así, vuelva a colocar los leños de acuerdo con las instrucciones de instalación de los leños en este manual. Si las llamas amarillas entran en contacto con los leños, se producirá hollín.

Es muy importante instalar los leños siguiendo exactamente las instrucciones. No modifique los leños; use solo los leños suministrados con el calentador. Cada leño está marcado con un número y este le ayudará a identificar cada leño durante la instalación.

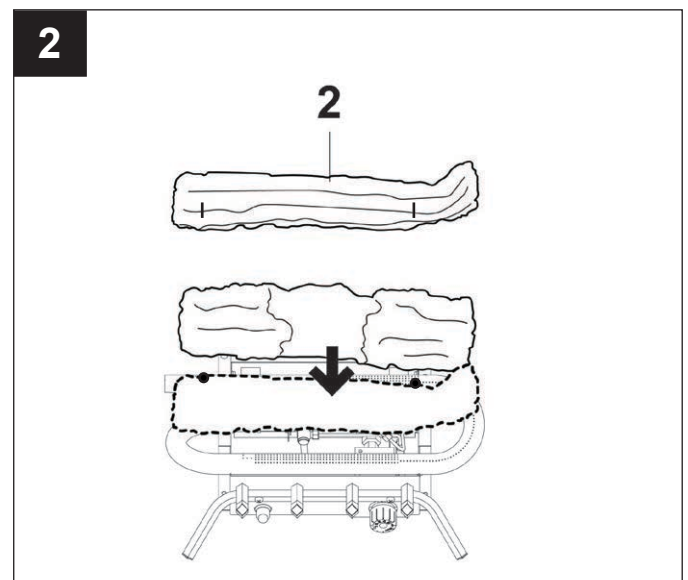
Leños provistos: 6



1. Inserte el leño n.º 1 en los pasadores de la base de la rejilla posterior.



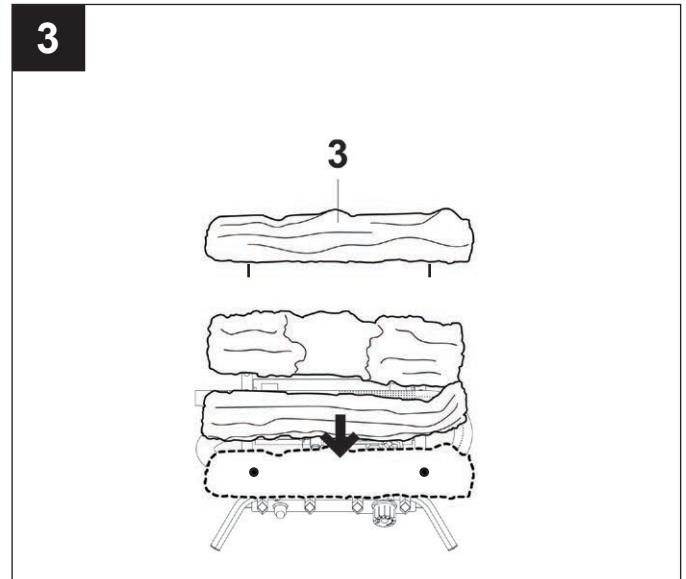
2. Inserte el leño n.º 2 en los pasadores de la base de la rejilla del medio.



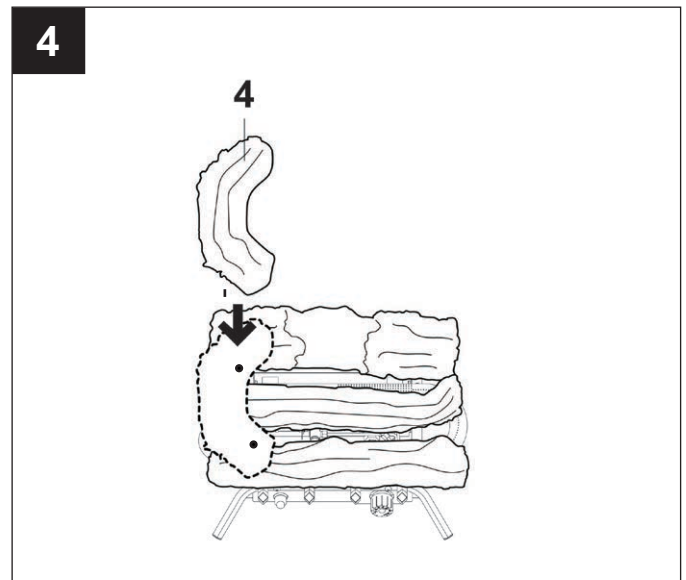
INSTRUCCIONES DE ENSAMBLAJE

VFL3-SO18DT / VFL3-EO18DT / VFL3-SO24DT

3. Coloque el leño n.º 3 en la rejilla delantera. Asegúrese de que las áreas empotradas en el leño coincidan con la rejilla y que el leño esté centrado en la rejilla.



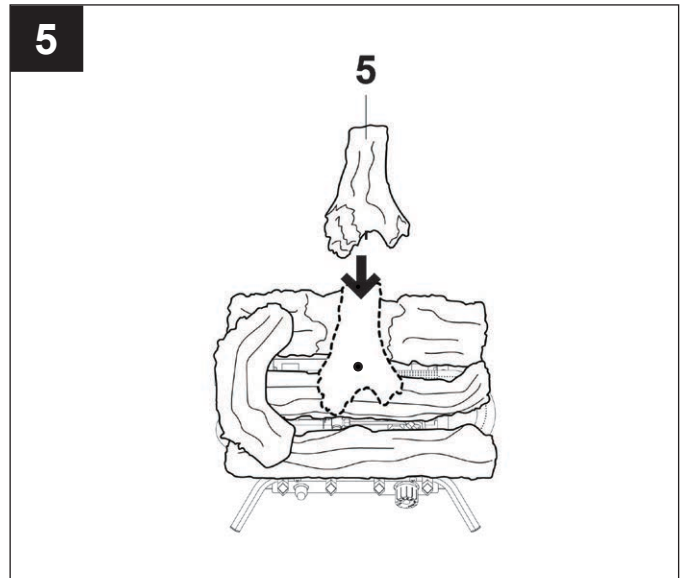
4. Coloque el leño n.º 4 de modo que su pasador encaje en el orificio de las áreas empotradas superiores izquierdas del leño n.º 2.



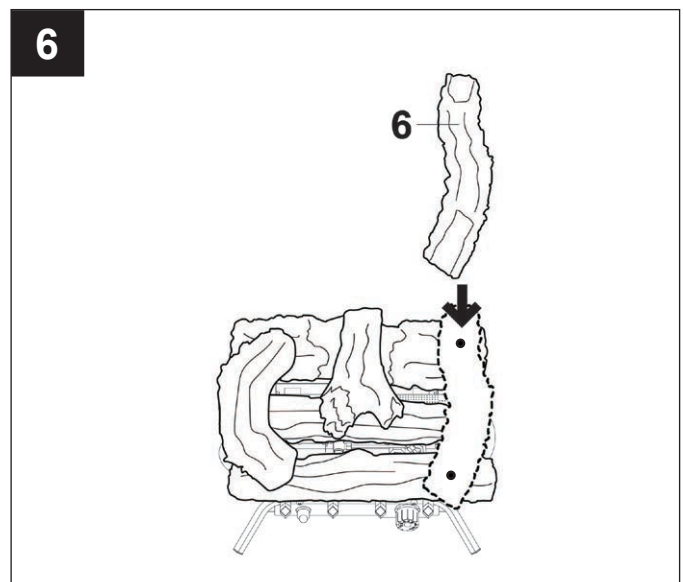
INSTRUCCIONES DE ENSAMBLAJE

VFL3-SO18DT / VFL3-EO18DT / VFL3-SO24DT

5. Coloque el leño n.º 5 de manera que descance en las áreas empotradas de la parte central superior del leño n.º 1 y su pasador encaje en el orificio de la parte superior del leño n.º 2 únicamente (NO debe tocar el leño n.º 3). Además, el borde delantero no debe sobresalir del leño n.º 2.



6. Coloque el leño n.º 6 de manera que su pasador encaje en el orificio de las áreas empotradas superiores derechas del leño n.º 2.



INSTRUCCIONES DE FUNCIONAMIENTO

POR SU SEGURIDAD, LEA ANTES DE ENCENDER EL ELECTRODOMÉSTICO



ADVERTENCIA: si no sigue con precisión estas instrucciones, podría provocar un incendio o una explosión que resulte en daños materiales, daños personales o muerte.

- A. Este electrodoméstico cuenta con un piloto que se debe encender por medio del encendedor electrónico. Cuando encienda el piloto, siga al pie de la letra estas instrucciones.
- B. **ANTES DE ENCENDER** el producto, verifique si hay olor a gas en el área de alrededor del electrodoméstico. Asegúrese de oler cerca del piso, ya que el gas puede ser más pesado que el aire y se asentará en el piso.

QUÉ HACER SI HUELE GAS:

- No trate de encender ningún electrodoméstico.
 - No toque ningún interruptor eléctrico; no utilice ningún teléfono en el edificio.
 - Desde el teléfono de un vecino, llame inmediatamente a su proveedor de gas. Siga las instrucciones del proveedor de gas.
 - Si no puede comunicarse con su proveedor de gas, llame al departamento de bomberos.
- C. Use solo su mano para presionar o girar la perilla de control de gas. Nunca utilice herramientas. Si no puede presionar o girar la perilla con la mano, no intente repararla; llame a un técnico de servicio calificado. Forzar o intentar hacer una reparación puede provocar un incendio o una explosión.
- D. No utilice este electrodoméstico si alguna de sus piezas estuvo sumergida en agua. Llame de inmediato a un técnico en mantenimiento calificado para que inspeccione el electrodoméstico y reemplace cualquier pieza del sistema de control y cualquier control de gas que haya estado sumergido en agua.

INSTRUCCIONES DE LA BATERÍA

- Las baterías están incluidas.
- Retire las baterías cuando se agoten.
- Instale o reemplace las baterías según el tipo y la cantidad indicados en la tabla a continuación.
- No mezcle baterías antiguas con nuevas. Las baterías nuevas deben ser de la misma marca para obtener mejores resultados.
- Asegúrese de respetar la polaridad adecuada (+/-) cuando instale o reemplace las baterías. Los daños causados por la instalación incorrecta de la batería pueden anular la garantía del producto.
- Durante largos períodos de inactividad, retire las baterías de todos los componentes por seguridad.

ADVERTENCIA: Las pilas no recargables no deben recargarse.

Las pilas deben insertarse con la polaridad correcta.

Las pilas agotadas deben retirarse del producto.

El receptor funciona con (4) pilas AA 1.5V (alcalinas).

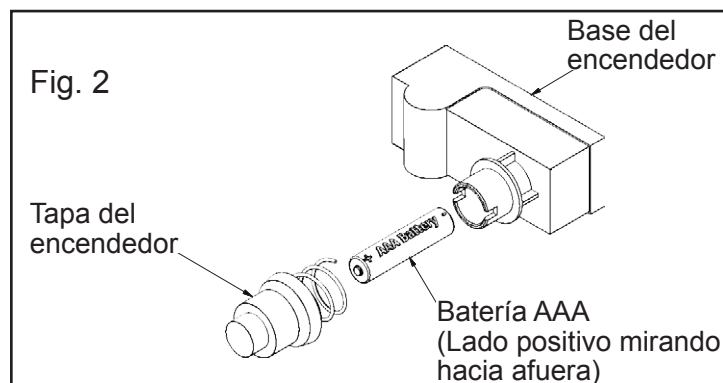
NO DESECHE LAS PILAS AL FUEGO

¡LAS PILAS PUEDEN EXPLOTAR O TENER FUGAS!

Componente	Tipo de batería	Cant. de baterías
Encendedor	AAA	1

INSTALACIÓN DE LA BATERÍA

1. Ubique el encendedor a batería en la parte frontal del quemador.
2. Paso 2: desensrosque la tapa del encendedor electrónico de botón con los dedos girándola en dirección contraria a las manecillas del reloj (Fig. 2).
3. Inserte la batería con el lado positivo (+) hacia delante.
4. Vuelva a colocar la tapa girándola con los dedos en dirección de las manecillas del reloj hasta que quede apretada.



INSTRUCCIONES DE ENCENDIDO

1. ¡DETÉNGASE! Lea la información de seguridad como se indicó anteriormente.
2. Gire la perilla de control en dirección de las manecillas ↻ del reloj hacia la posición OFF (apagado) (consulte la Fig. 25).
3. Espere cinco (5) minutos para que se despeje el gas. Luego verifique si hay olor a gas, incluso cerca del piso. Si percibe olor a gas, ¡DETÉNGASE! Siga la sección "B" de la información de seguridad, como se indicó anteriormente. Si no hay olor a gas, proceda con el próximo paso.
4. Presione levemente la perilla de control de gas y gírela en dirección contraria a las manecillas ↻ del reloj hasta la posición "PILOT" (piloto). Presione la perilla de control.
5. Con la perilla de control presionada, presione el botón del encendedor hasta que el piloto se encienda. La ubicación del piloto está detrás del leño n.º 3, cerca del quemador.
6. Mantenga presiona la perilla de control durante (30) segundos después de que el piloto se encienda. Suelte la perilla de control.

- Si la perilla de control no se levanta al soltarla, deténgase de inmediato y llame a un técnico de servicio calificado o al proveedor de gas.
- Si el piloto se apaga, repita los pasos 3 a 7. Espere (1) minuto antes de intentar encender el piloto nuevamente. Si el piloto se apaga tras varios intentos, gire la perilla de control de gas en dirección de las manecillas ↻ del reloj hasta la posición de apagado y llame a un técnico de servicio calificado.

7. Gire la perilla de control en sentido contrario ↻ a las agujas del reloj hasta el ajuste deseado.

- ⚠ **ADVERTENCIA:** la pantalla de la chimenea debe estar en su lugar mientras el electrodoméstico está en funcionamiento.
- ⚠ **ADVERTENCIA:** las puertas de vidrio deben estar completamente abiertas mientras el electrodoméstico esté en funcionamiento.

PARA CORTAR EL PASO DE GAS HACIA EL ELECTRODOMÉSTICO

1. Gire la perilla de control en dirección de las manecillas ↻ del reloj hacia la posición OFF.

Apagado del quemador únicamente (el piloto permanece encendido)

Gire la perilla de control en dirección de las manecillas ↻ del reloj hasta la posición PILOT (piloto).

FUNCIONAMIENTO DEL CONTROL TERMOSTÁTICO

La válvula de control termostático utilizada en este modelo difiere de los termostatos estándar. Los termostatos comunes simplemente encienden y apagan el quemador. El bulbo detector termostático de la válvula de control que se usa en este calentador detecta los cambios en la temperatura ambiente y variará la llama según corresponda. Cuando la temperatura ambiente exceda la temperatura establecida, el quemador se apagará por completo. La unidad se volverá a encender por ciclos cuando la temperatura de la habitación sea menor que la establecida. La perilla de control se puede ajustar al nivel de comodidad deseado entre 1 y 5.

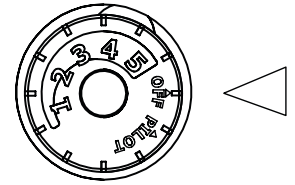


Fig. 25: Perilla de control

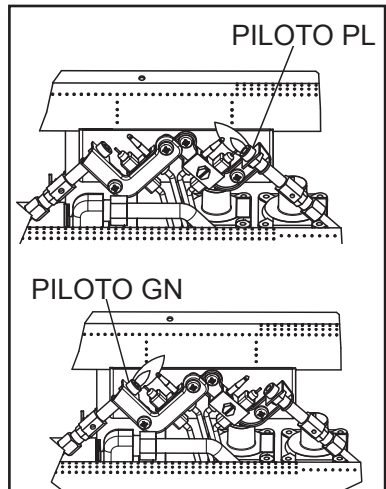


Fig. 26: Piloto

INSTRUCCIONES DE FUNCIONAMIENTO

INSPECCIÓN DE LOS QUEMADORES

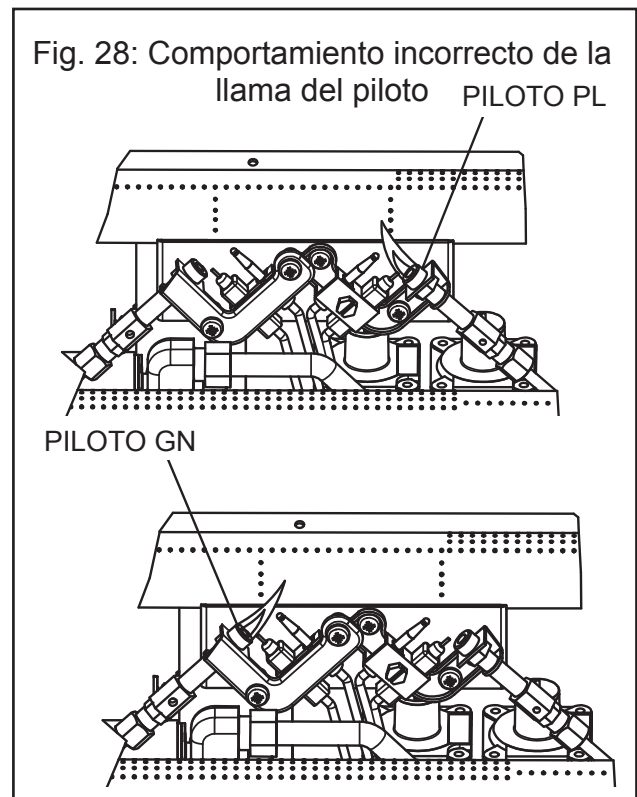
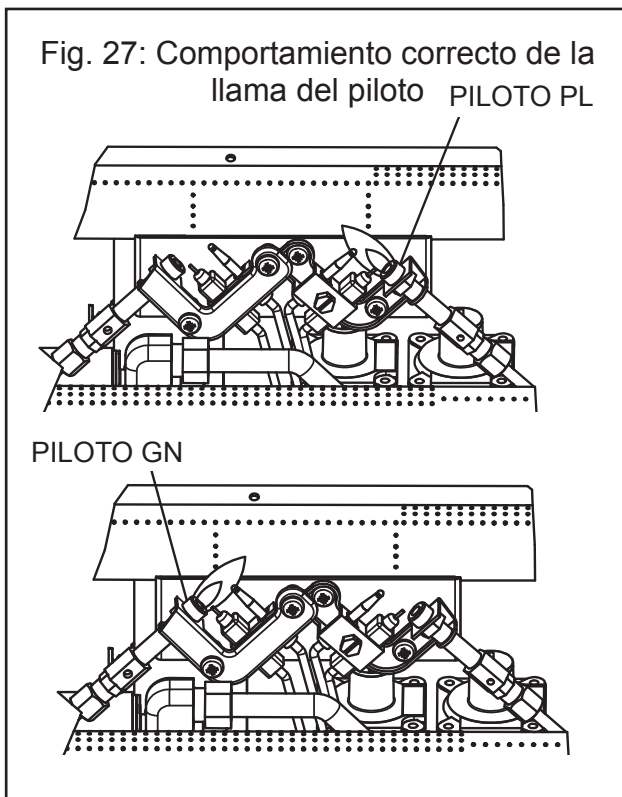
Revise frecuentemente el comportamiento de la llama del piloto y de la llama del quemador.

COMPORTAMIENTO DE LA LLAMA DEL PILOTO

La Fig. 27 muestra el comportamiento correcto de la llama del piloto. La Fig. 28 muestra el comportamiento incorrecto de la llama del piloto. La llama incorrecta del piloto no toca el termopar. Esto hará que el termopar se enfríe. Cuando el termopar se enfría, el calentador se apaga.

Si el comportamiento de la llama del piloto es incorrecto, como se muestra en la Fig. 28:

- Apague el calentador (consulte Para cortar el paso de gas hacia el electrodoméstico, página 58).
- Consulte Solución de problemas, página 59.



⚠ ADVERTENCIA: no permita que los ventiladores soplen directamente hacia la chimenea. Evite corrientes de aire que alteren el comportamiento de la llama en el quemador.

⚠ ADVERTENCIA: no utilice ningún tipo de accesorio de soplador, accesorio para intercambio de calor ni ningún otro accesorio que no esté aprobado para su uso con este calentador.

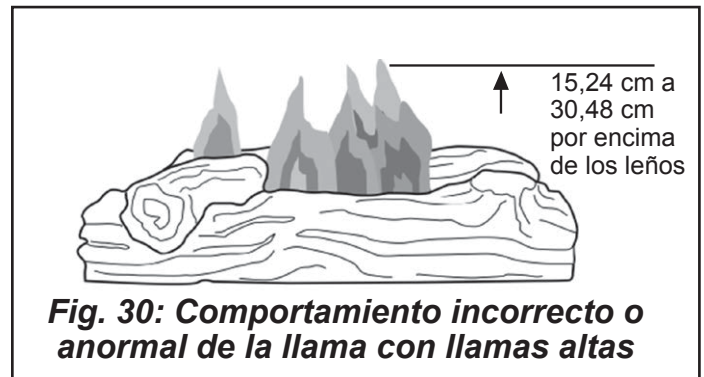
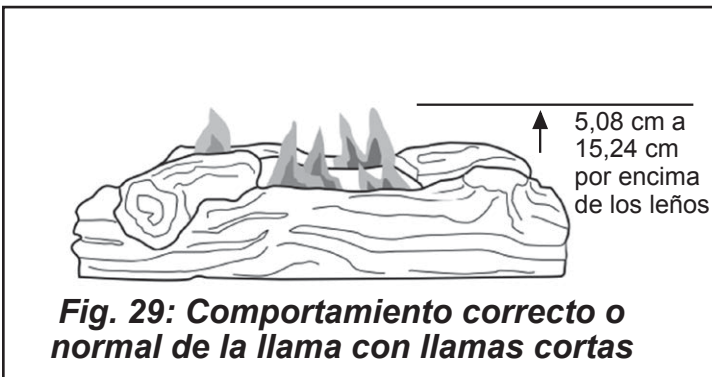
COMPORTAMIENTO DE LA LLAMA DEL QUEMADOR

La figura 29 muestra el comportamiento correcto de la llama del quemador. La Fig. 30 muestra el comportamiento incorrecto de la llama del quemador. El comportamiento incorrecto de la llama del quemador muestra una inclinación esporádica e irregular de la llama. La llama no debe ser oscura ni tener un tinte anaranjado o rojizo.

Nota: cuando use el calentador por primera vez, la llama será de color naranja durante aproximadamente una hora hasta que el leño se cure.

Si el comportamiento de la llama del quemador es incorrecto, como se muestra en la Fig. 30:

- Apague el calentador (consulte Para cortar el paso de gas hacia el electrodoméstico, página 58).
- Consulte Solución de problemas, página 59.



⚠️ ADVERTENCIA: siempre apague el calentador y déjelo enfriar antes de realizar mantenimiento.

⚠️ PRECAUCIÓN: debe mantener limpias las áreas del control, del quemador y de los conductos de aire del calentador. Inspeccione estas áreas del calentador antes de cada uso. Pida a un técnico en mantenimiento calificado que inspeccione el calentador una vez al año. El calentador puede necesitar una limpieza más frecuente debido a las pelusas del alfombrado, ropa de cama, pelos de mascotas, etc.

⚠️ ADVERTENCIA: no mantener limpias las aberturas de aire principales del o los quemadores puede facilitar la producción de hollín y producir daños materiales.

SOPORTE DEL ORIFICIO DEL QUEMADOR Y ORIFICIO DE ENTRADA DE AIRE DEL PILOTO

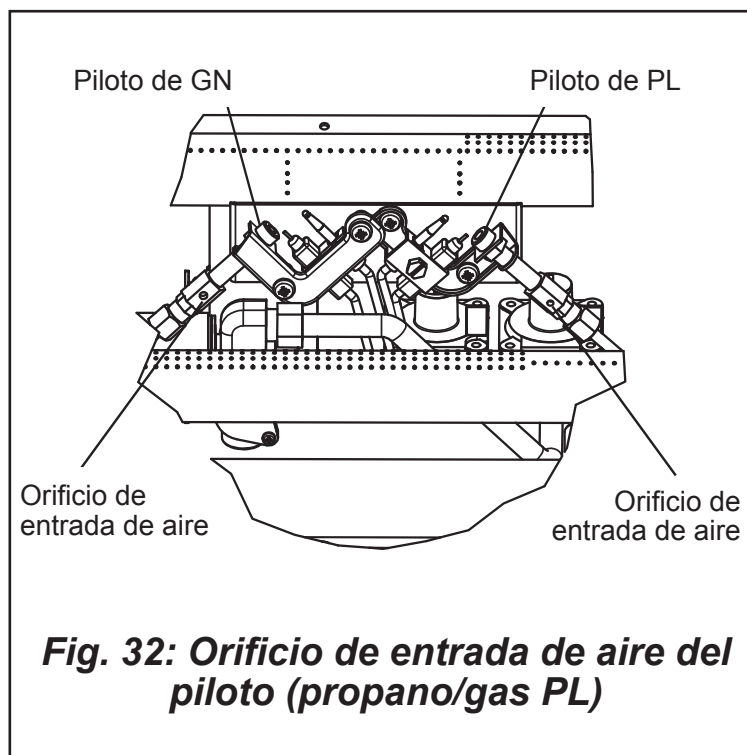
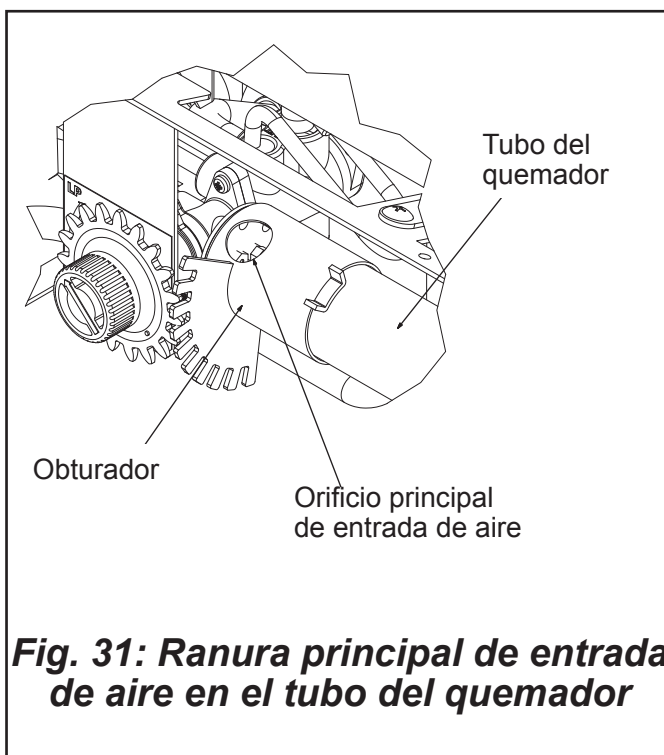
Los orificios principales de entrada de aire permiten que la cantidad correcta de aire se mezcle con el gas, para que la llama arda en forma limpia. Mantenga estos orificios libres de polvo, suciedad, pelusas y pelo de mascotas. Limpie estos orificios de entrada de aire antes de cada temporada de calefacción. Si los orificios se bloquean, se produce hollín. Recomendamos que limpie la unidad cada tres meses durante el funcionamiento y que un técnico calificado inspeccione el calentador anualmente.

También recomendamos mantener la tubería del quemador y el ensamble del piloto limpia y sin polvo ni suciedad. Para limpiar estas piezas, lo recomendable es utilizar aire comprimido a no más de 30 PSI. Puede conseguir aire comprimido en lata en la tienda de computadoras, en la ferretería o en la tienda de artículos para el hogar locales. Si utiliza aire comprimido en lata, siga las instrucciones de la lata. Si no respeta las instrucciones de la lata, podría dañar el ensamble del piloto.

La revisión y limpieza periódica del sistema de ventilación y de la chimenea que quema combustible sólido, incluida la frecuencia de dicha revisión y limpieza, deberán estar a cargo de una agencia calificada.

CUIDADO Y MANTENIMIENTO

1. Apague la unidad, incluido el piloto. Deje enfriar la unidad durante al menos 30 minutos.
2. Compruebe que el quemador, el piloto y los orificios principales de entrada de aire del soporte del orificio no presenten polvo ni suciedad (consulte la Fig. 31).
3. Aplique aire a través de los puertos/ranuras y orificios del quemador.
4. Vuelva a revisar el soporte del orificio ubicado en el extremo del tubo del quemador. Elimine todas las partículas grandes de polvo, suciedad, pelusas y pelos de mascotas con un paño suave o la boquilla de una aspiradora.
5. Aplique aire a los orificios principales de aire del soporte del orificio.
6. En caso de que se hayan introducido grandes acumulaciones de polvo en el quemador, repita los pasos 3 y 4. Limpie también el ensamble del piloto. Si la llama del piloto tiene la punta amarilla, esto indica que hay polvo y suciedad en el ensamble del piloto. Hay un pequeño orificio de entrada de aire al piloto aproximadamente a 5,08 cm del lugar donde la llama del piloto sale del ensamble (consulte la Fig. 32 dependiendo del modelo). Con la unidad apagada, aplique aire ligeramente en el orificio de entrada de aire. Si no tiene aire comprimido, puede soplar a través de una pajilla.



JUEGO DE LEÑOS

- Si retira el juego de leños para limpiarlo, consulte la página 56 para obtener instrucciones sobre cómo colocarlo.
- Reemplace el juego de leños si está roto o astillado (del tamaño de una moneda o más).

GABINETE

Líneas de paso de aire

Realice la limpieza con una aspiradora o aire comprimido.

Exterior

Utilice un paño suave humedecido con una mezcla de jabón suave y agua. Limpie el gabinete para eliminar el polvo.

SOLUCIÓN DE PROBLEMAS

⚠️ **ADVERTENCIA:** si huele gas:

- Cierre el suministro de gas.
- No intente encender ningún electrodoméstico.
- No toque ningún interruptor eléctrico; no utilice ningún teléfono en el edificio.
- Desde el teléfono de un vecino, llame inmediatamente a su proveedor de gas. Siga las instrucciones del proveedor de gas.
- Si no puede comunicarse con su proveedor de gas, llame al departamento de bomberos.

IMPORTANTE: si usa el calentador en áreas donde hay impurezas en el aire, se pueden producir olores. Los artículos para limpieza, la pintura, el limpiador de pintura, el humo de cigarro, los cementos y pegamentos, las alfombras o los productos textiles nuevos, etc., generan gases, que se pueden mezclar con el aire de la combustión y producir olores.

⚠️ **ADVERTENCIA:** asegúrese de que la unidad esté apagada antes de proceder.

⚠️ **ADVERTENCIA:** apague el calentador y déjelo enfriar antes de cualquier reparación. Solo un técnico calificado debe realizar el mantenimiento o reparar el calentador.

⚠️ **PRECAUCIÓN:** nunca utilice un alambre, una aguja o un objeto similar para limpiar el piloto/ODS. Pueden dañar la unidad del piloto/ODS.

CONSEJOS DE SERVICIO

CUANDO LA PRESIÓN DEL GAS SEA DEMASIADO BAJA

- el piloto no permanecerá encendido
 - los quemadores tendrán un encendido retardado
 - el calentador no producirá el calor especificado
 - para las unidades de propano/PL, el suministro de gas propano/PL puede ser bajo.
- Puede sentir que la presión del gas es demasiado baja. Si es así, comuníquese con su proveedor local de gas natural o propano/PL.

PROBLEMA	CAUSA POSIBLE	ACCIÓN CORRECTIVA
Hay un molesto sonido chisporroteante proveniente del piloto de propano líquido. Cuando se opera con gas natural (GN) y el piloto GN está encendido.	1. Uso de gas natural.	1. Llame al Servicio al Cliente.
Cuando se pulsa el botón de encendido, no hay chispa en el piloto/ODS.	1. El electrodo de encendido está mal ubicado. 2. El electrodo de encendido está dañado. 3. El electrodo de encendido no está conectado al cable de encendido. 4. El cable de encendido está atrapado o mojado. 5. El cable de encendido está dañado. 6. El encendido electrónico de botón está defectuoso. 7. La batería está averiada.	1. Reemplace el electrodo. 2. Reemplace el electrodo. 3. Reemplace el cable de encendido 4. Libere el cable de encendido si está apretado con algún metal o tubo. Mantenga seco el cable de encendido. 5. Reemplace el cable de encendido. 6. Reemplace el encendido electrónico de botón. 7. Revise la batería y reemplácela si es necesario.
Cuando se presiona el botón de encendido, hay chispa en el piloto/ODS pero no hay encendido.	1. El suministro de gas está cerrado o la válvula de cierre del equipo está cerrada. 2. La perilla de control no se presionó del todo al pulsar el botón de encendido. 3. Quedó aire en las líneas de gas durante la instalación. 4. El piloto/ODS está tapado. 5. La configuración del regulador de gas no es correcta. 6. La perilla de control no está en la posición PILOT (PILOTO). 7. El suministro de gas (propano) se ha agotado.	1. Abra el suministro de gas o la válvula de cierre del equipo. 2. Presione la perilla de control del todo al pulsar el botón de encendido. 3. Mantenga presionada la perilla de control. Repita el encendido hasta que se haya eliminado el aire. 4. Limpie el piloto/ODS (consulte la sección Cuidado y mantenimiento, páginas 63 a 64) o reemplace el ensamble del piloto/ODS. 5. Reemplace el regulador de gas. 6. Gire la perilla de control hacia la posición PILOT (PILOTO). 7. Póngase en contacto con la compañía de gas propano/PL local.

SOLUCIÓN DE PROBLEMAS

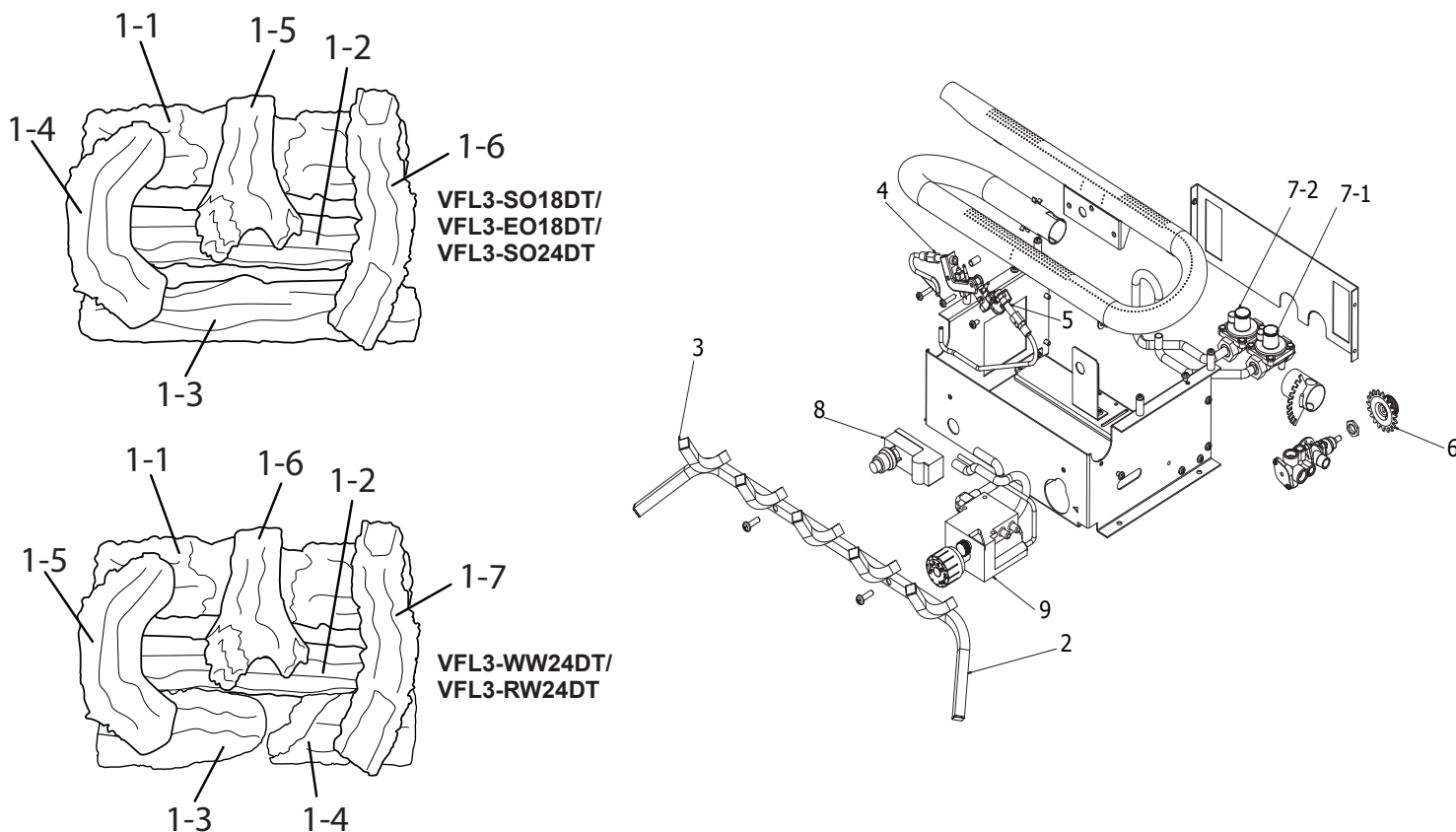
PROBLEMA	CAUSA POSIBLE	ACCIÓN CORRECTIVA
El piloto/ODS se enciende, pero la llama se apaga al soltar la perilla de control.	<ol style="list-style-type: none"> 1. La perilla de control no se presiona completamente. 2. La perilla de control no se presiona lo suficiente. 3. La válvula de cierre del equipo no está completamente abierta. 4. La conexión del termopar está suelta. 5. El termopar está dañado. 6. La válvula de control está dañada. 7. El ajuste de gas es incorrecto. 	<ol style="list-style-type: none"> 1. Presione a fondo la perilla de control. 2. Una vez que se encendió el piloto/ODS, mantenga apretada la perilla de control durante 30 segundos. 3. Abra por completo la válvula de cierre del equipo. 4. Apriete a mano hasta que quede ajustada y luego apriete $\frac{1}{4}$ de vuelta más. 5. Reemplace el termopar. 6. Póngase en contacto con Servicio al Cliente. 7. Selección de gas correcta.
El quemador no se enciende una vez encendido el piloto/ODS.	<ol style="list-style-type: none"> 1. El orificio del quemador está tapado. 2. El diámetro del orificio del quemador es demasiado pequeño. 3. La presión de entrada de gas es demasiado baja. 	<ol style="list-style-type: none"> 1. Limpie el orificio del quemador (consulte Cuidado y mantenimiento, páginas 63 a 64) o póngase en contacto con el Servicio al Cliente. 2. Póngase en contacto con Servicio al Cliente. 3. Póngase en contacto con su proveedor de gas.
El quemador no se enciende una vez encendido el piloto/ODS. (El calentador está configurado para GN).	<ol style="list-style-type: none"> 1. La presión de entrada de gas es demasiado alta. 	<ol style="list-style-type: none"> 1. Póngase en contacto con su proveedor de gas.
El quemador tarda en encenderse.	<ol style="list-style-type: none"> 1. La presión del distribuidor múltiple es demasiado baja. 2. El orificio del quemador está tapado. 	<ol style="list-style-type: none"> 1. Póngase en contacto con su proveedor de gas. 2. Limpie el quemador (consulte Cuidado y mantenimiento, páginas 63 a 64) o póngase en contacto con el Servicio al Cliente.
Ignición prematura del quemador durante la combustión.	<ol style="list-style-type: none"> 1. El orificio del quemador está tapado o dañado. 2. El quemador está dañado. 3. El regulador de gas está dañado. 	<ol style="list-style-type: none"> 1. Limpie el orificio del quemador (consulte Cuidado y mantenimiento, páginas 63 a 64) o póngase en contacto con el Servicio al Cliente. 2. Póngase en contacto con su vendedor o con el Servicio al Cliente. 3. Reemplace el regulador de gas.
Llama amarilla alta durante la combustión del quemador	<ol style="list-style-type: none"> 1. No hay suficiente aire. 2. El regulador de gas está dañado. 3. La presión de entrada de gas es demasiado baja. 	<ol style="list-style-type: none"> 1. Inspeccione el quemador y el piloto para detectar polvo o suciedad. Si lo hay, limpie el quemador (consulte Cuidado y mantenimiento, páginas 63 a 64). 2. Reemplace el regulador de gas. 3. Póngase en contacto con su proveedor de gas.
Hay olor a gas durante la combustión	<ol style="list-style-type: none"> 1. Hay una sustancia extraña entre la válvula de control y el quemador. 2. Fuga de gas. (Consulte la Advertencia del encabezado de la página 55). 	<ol style="list-style-type: none"> 1. Separe la tubería de gas y limpie la sustancia extraña. 2. Localice y repare todas las fugas. (Consulte Verificación de las conexiones de gas, página 53).
El calentador produce un sonido de clic o chasquido justo después de que el quemador se enciende o se apaga.	<ol style="list-style-type: none"> 1. El metal se dilata con el calor o se contrae al enfriarse. 	<ol style="list-style-type: none"> 1. Esto es común en la mayoría de los calentadores. Si hace demasiado ruido, póngase en contacto con un técnico en mantenimiento calificado.

SOLUCIÓN DE PROBLEMAS

PROBLEMA	CAUSA POSIBLE	ACCIÓN CORRECTIVA
Se forman residuos en forma de polvo blanco en la caja del quemador o en las paredes o muebles contiguos.	1. Al calentarse, los vapores de la cera para muebles, cera, productos de limpieza para alfombras, etc. se convierten en residuos en forma de polvo blanco.	1. Apague el calentador cuando utilice cera para muebles, cera, productos de limpieza para alfombras o productos similares.
El calentador produce olores indeseados.	1. El calentador quema vapores de pintura, aerosoles para cabello, pegamentos, etc. Consulte la advertencia IMPORTANTE , página 55. 2. Fuga de gas. Consulte Declaración de advertencia, página 58. 3. Bajo suministro de combustible.	1. Ventile la habitación. Deje de usar productos que causen olor mientras use el calentador. 2. Localice y repare todas las fugas. (Consulte Verificación de las conexiones de gas, página 53). 3. Vuelva a llenar el tanque de suministro (modelos de propano/PL).
El calentador se apaga durante su uso (funciona el ODS).	1. No hay suficiente aire fresco. 2. Baja presión de línea. 3. El piloto/ODS está parcialmente tapado.	1. Abra la ventana o la puerta para que aumente la ventilación. 2. Comuníquese con el proveedor de gas de su localidad. 3. Limpie el ODS/piloto (consulte Cuidado y mantenimiento, páginas 63 a 64).
Hay olor a gas incluso cuando la perilla de control está en la posición OFF (apagado).	1. Fuga de gas. Consulte la Declaración de advertencia en el encabezado de la página 55. 2. La válvula de control está defectuosa.	1. Localice y repare todas las fugas. (Consulte Verificación de las conexiones de gas, página 53). 2. Póngase en contacto con Servicio al Cliente.
Las ventanas presentan humedad o condensación.	1. No hay suficiente aire para la combustión y ventilación.	1. Consulte los requisitos de Aire para la combustión y ventilación en la página 45.
Hay un poco de humo u olor durante el primer uso.	1. Residuos del proceso de fabricación.	1. El problema se solucionará después de unas horas de funcionamiento.
El calentador produce un silbido cuando el quemador está encendido.	1. Se colocó la perilla de control en posición alta (5) con el quemador frío. 2. Hay aire en la línea de gas. 3. Los conductos de aire del calentador están tapados. 4. El orificio del quemador está sucio o parcialmente tapado.	1. Coloque la perilla de control en la posición baja (1) y espere un minuto para que se caliente. 2. Haga funcionar el quemador hasta que se haya purgado el aire de la línea. Haga revisar la línea de gas por la compañía de gas pro-pano/PL local. 3. Respete las distancias de separación mínimas (consulte las Figs. 3, 4, 5, 7 y 8 en las páginas 67 a 50). 4. Limpie el quemador (consulte Cuidado y mantenimiento, páginas 63 a 64 o póngase en contacto con el Servicio al Cliente.

LISTA DE PIEZAS DE REPUESTO

Para obtener piezas de repuesto, llame a nuestro Departamento de Servicio Técnico al 1-877-447-4768 de lunes a viernes de 8:00 a.m. a 4:30 p.m., hora central estándar.



ARTÍCULO N.º	DESCRIPCIÓN	CANT.	PIEZA N.º		
			VFL3-SO18DT VFL3-EO18DT	VFL3-SO24DT	VFL3-WW24DT VFL3-RW24DT
1	Conjunto de leños (completo)	1	3DYDA18	3DYDA24	3DYWW24
1-1	Leño 1	1	80-06-168	80-06-175	80-06-189
1-2	Leño 2	1	80-06-169	80-06-176	80-06-190
1-3	Leño 3	1	80-06-170	80-06-177	80-06-191
1-4	Leño 4	1	80-06-171	80-06-178	80-06-192
1-5	Leño 5	1	80-06-172	80-06-179	80-06-193
1-6	Leño 6	1	80-06-173	80-06-180	80-06-194
1-7	Leño 7	1			80-06-195
2	Rejilla	1	GP287-01	GP288-01	GP288-01
3	Tapa del extremo de la rejilla	1	GP287-02	GP287-02	GP287-02
4	Piloto ODS GN	1	GZ20-30B	GZ20-30B	GZ20-30B
5	Piloto ODS PL	1	GZ20-29B	GZ20-29B	GZ20-29B
6	Perilla de selector	1	GZ20-17	GZ20-17	GZ20-17
7-1	Regulador, (GN) Gas Natural 5" W.C.	1	GR-130B-GHP	GR-130B-GHP	GR-130B-GHP
7-2	Regulador, (PL) Propano Líquido 10"	1	GR-130A-GHP	GR-130A-GHP	GR-130A-GHP
8	Módulo del encendedor	1	GZ20-32a	GZ20-32a	GZ20-32a
9	Válvula de control, Euro SIT 630	1	0630560	0630560	0630560

Garantía

GARANTÍA LIMITADA:

Esta garantía limitada se extiende al comprador original al por menor de este conjunto de calentador y garantiza contra cualquier defecto en materiales y mano de obra durante un periodo de (2) años a partir de la fecha de venta al por menor. GHP Group, Inc., a su opción, proporcionará piezas de reemplazo o reparará la unidad cuando sea devuelta apropiadamente a la tienda minorista donde se compró o a uno de nuestros centros de servicio como lo indica GHP Group, Inc., dentro de (2) años a partir de la compra al por menor. (Los costos de envío, costos de mano de obra, etc. son responsabilidad del comprador.)

DEBERES DEL PROPIETARIO:

Este aparato de calefacción debe ser operado de acuerdo con las instrucciones escritas proporcionadas con este calefactor. Esta garantía no excusa al propietario de darle mantenimiento apropiado a este calefactor de acuerdo con las instrucciones escritas proporcionadas con este calefactor. Debe conservarse un recibo, cheque cancelado o registro de pago para comprobar la fecha de compra y establecer el periodo de la garantía. Debe conservarse la caja original en caso de retorno de garantía de la unidad.

LO QUE NO ESTÁ CUBIERTO:

1. Daños que resulten del uso de combustible inapropiado.
2. Daños causados por mal uso o uso contrario al manual de propietario y pautas de seguridad.
3. Daños causados por falta de mantenimiento normal.
4. Uso de piezas o accesorios no estándar.
5. Daños causados durante el tránsito. Los cargos por flete sobre las piezas de la garantía o calefactores hacia y desde la fábrica serán responsabilidad del propietario.

Esta garantía no implica ni asume ninguna responsabilidad por daños consecuentes que puedan resultar del uso, mal uso o falta de mantenimiento rutinario de este aparato de calefacción. Se puede cargar un cargo por limpieza y el costo de las piezas para fallas del aparato que resulten de la falta de mantenimiento. Esta garantía no cubre reclamos que no involucren mano de obra o materiales defectuosos. **NO REALIZAR EL MANTENIMIENTO GENERAL (INCLUYENDO LA LIMPIEZA) ANULARÁ ESTA GARANTÍA.**

ESTA GARANTÍA LIMITADA SE LE DA AL COMPRADOR EN LUGAR DE TODAS LAS OTRAS GARANTÍAS, EXPRESAS O IMPLÍCITAS, INCLUYENDO PERO NO LIMITADAS A LAS GARANTÍAS DE COMERCIALIZACIÓN O IDONEIDAD PARA UN PROPÓSITO PARTICULAR. LA REPARACIÓN PROPORCIONADA EN ESTA GARANTÍA ES EXCLUSIVA Y SE OTORGA EN LUGAR DE TODAS LAS OTRAS REPARACIONES. EN NINGÚN CASO GHP GROUP, INC. SERÁ RESPONSABLE DE NINGÚN DAÑO INCIDENTAL O CONSECUENTE.

Algunos estados no permiten limitaciones sobre cuánto debe durar una garantía, por lo tanto las limitaciones anteriores podrían no aplicar a usted. Algunos estados no permiten la exclusión o la limitación de los daños incidentales o consecuentes, por lo tanto, es posible que la exclusión o las limitaciones antes indicadas no correspondan a usted.

LOS RECLAMOS SE MANEJAN COMO SIGUE:

1. Póngase en contacto con su tienda minorista y explique el problema.
2. Si la tienda minorista no puede resolver el problema, póngase en contacto con el Departamento de Servicio al Cliente detallando el modelo del calefactor, el problema y la prueba de la fecha de compra.
3. Un representante se pondrá en contacto con usted. NO DEVUELVA EL CALEFACTOR A GHP GROUP, INC. a menos que se lo indique nuestro representante. Esta garantía le otorga derechos legales específicos y también puede tener otros derechos que varían de un estado a otro.

PARA REGISTRAR ESTA GARANTÍA SOBRE SU CALEFACTOR, LLENE ESTA TARJETA POR COMPLETO
Y ENVÍELA POR CORREO 14 DÍAS DESPUÉS DE LA FECHA DE COMPRA O REGÍSTRESE EN LÍNEA EN www.ghpgroupinc.com

NOMBRE _____ TELÉFONO: () _____ CORREO ELÉCTRÓNICO: _____
DIRECCIÓN: _____ CIUDAD: _____ ESTADO: _____ CÓDIGO POSTAL: _____
MODELO: _____ No. DE SERIE: _____ FECHA DE COMPRA: _____
TIENDA MINORISTA DE LA COMPRA: _____ TIPO DE TIENDA: _____
CIUDAD Y ESTADO DONDE SE HIZO LA COMPRA: _____ PRECIO PAGADO: _____

Por favor, tómese un minuto para darnos sus respuestas a las siguientes preguntas.

Todas las respuestas serán usadas únicamente para investigación de mercado y serán mantenidas en estricta confidencialidad.

¿Quién decidió principalmente esta compra? Masculino Femenino 18-24 25-39 40-59 60 y más
¿Propósito de la compra? _____
¿Posee otro calefactor portátil? Sí No Si la respuesta es Sí, tipo _____ marca _____
¿Cómo pretende usar su nuevo calefactor? Sitio de construcción Granja Bodega/Comercial Garaje/Construcción anexa otro
¿Cómo se dio cuenta de este calefactor? Exhibidor de la tienda Anuncio de periódico Anuncio de revista Amigo/Pariente
Comercial de TV Vendedor de la tienda otro _____
¿Qué lo hizo elegir este calefactor? Estilo Tamaño/Portabilidad Precio Empaque Marca Otro _____
Usted: posee alquila ¿Le recomendaría este calefactor a un amigo? Sí No
Por favor, denos sus comentarios: _____

¡GRACIAS POR LLENAR ESTE FORMULARIO!
La información se mantendrá confidencial.

GARANTÍA LIMITADA

IMPORTANTE: Le urgimos que llene su tarjeta de registro de la garantía en el plazo de catorce (14) después de la fecha de compra También puede registrar su garantía en internet en www.ghpgroupinc.com. Complete el número de serie. Conserve esta porción de la tarjeta para sus registros.



GHP Group, Inc.
6440 W Howard St
Niles, IL 60714-3302

Tel: (877) 447-4768
www.ghpgroupinc.com

¡GUARDE ESTA TARJETA!

Coloque
la
estampilla
postal

GHP Group, Inc.
6440 W Howard St
Niles, IL 60714-3302