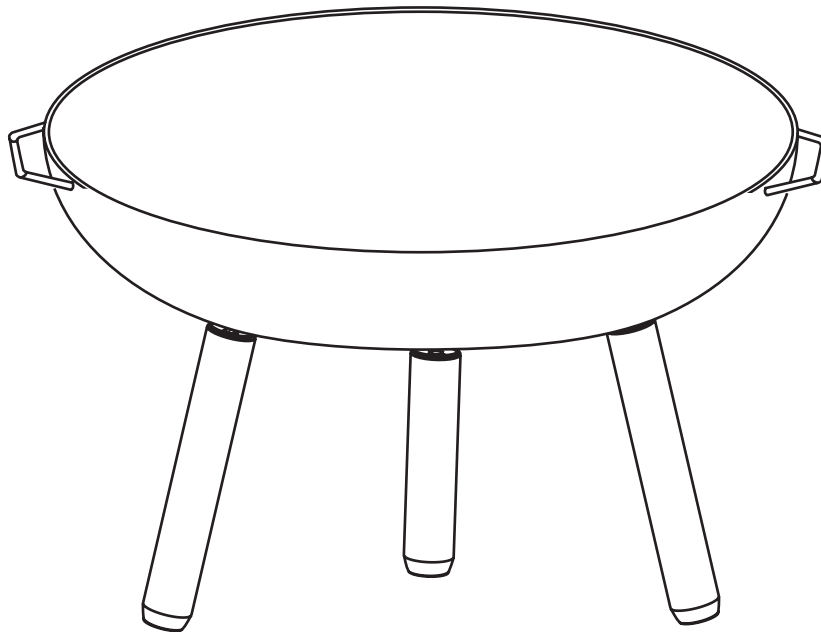


**GAS ONE**

# INSTRUCTION MANUAL

**23" OUTDOOR FIREPIT**  
MODEL FP-210



**PLEASE RETAIN THIS INSTRUCTION MANUAL FOR FUTURE REFERENCE.**

 Price Zone dba  
**International**

COMMERCE, CA 90040  
SUPPORT@GASONE.COM  
TOLL FREE: 1.800.698.5070  
CUSTOMER SERVICE HOURS:  
M-F: 9 AM-5 PM PST

**FOR CALIFORNIA CONSUMERS ONLY:**

 **WARNING**  
CANCER AND REPRODUCTIVE HARM.  
GO TO [WWW.P65WARNINGS.CA.GOV](http://WWW.P65WARNINGS.CA.GOV)

# WARRANTY INFORMATION

## LIMITED WARRANTY

GASONE warrants that for the period of one year this product, will be free from defects in material and workman- ship. GASONE, at its option, will repair or replace this product or any component of the product found to be defec- tive during the warranty period. Replacement will be made with a new or remanufactured product of component. If the product is no longer available, replacement will be made with a similar product of equal or greater value. This is your exclu- sive warranty. This warranty is valid for the original retail purchaser from the date of initial retail purchase and is not transferable. Keep the original sales receipt. Proof of purchase is required to obtain warranty performance. GAS ONE dealers, service centers, or retail stores selling GAS ONE products do not have the right to alter, modify or in any way change the terms and conditions of this warranty.

This warranty does not cover normal wear of parts or damage resulting from any of the following: negligent use or misuse of the product, use contrary to the operating instructions, disassembly, repair or alteration by anyone other than GAS ONE or an authorized service center. Further, the warranty does not cover acts of God, such as fire, flood, hurricanes and tornados.

GAS ONE shall not be liable for any incident or consequential damages caused by the breach of any express or implied warranty or conditions. Except to the extent prohibited by applicable law, any implied warranty of mer- chantability or fitness for a particular purpose is limited in duration to the duration of the above warranty or condi- tions. Some states, provinces or jurisdictions do not allow the exclusion or limitation of incidental or consequential damages or limitations on how long an implied warranty lasts, so the above limitations or exclusion may not apply to you. This warranty gives you specific legal rights, and you may also have other rights that vary from state to state or province to province. How to obtain warranty service: do not return this product to the store. Call 1(800) 698-5070 or write us at GASONE, 6211 Randolph St. Commerce, CA 90040. Be prepared to give your name, address, model number, description of the problem, phone number, and proof of retail purchase (sales slip).

## DISCLAIMERS

Apart from the warranty and disclaimers as described in this warranty statement. There are ex- plicitly no further war- ranty or voluntary declarations of liability given here which go beyond the statutory liability applying to us.

The present warranty statement also does not limit or exclude situations or claims. Where us has mandatory liability as prescribed by statute.

You assume the risk and liability for loss, damage, or injury to you and your property and/or to others and their prop- erty arising out of the misuse or abuse of the product or failure to follow instruction in the accompanying owner's manual.

This warranty applies to private single family home or apartment use only and does not apply to grills used in com- mercial, communal, or multi-unit settings such as restaurants, hotels, resorts, or rental properties.

We may from time to time change the design of its products. Nothing contained in this warranty shall be construed as obligating to incorporate such design changes into previously manufactured products. Nor shall such changes be construed as an admission that previous designs were defec- tive. This product is intended FOR OUTDOOR USE ONLY. DO NOT use indoors.

- **WARNING: ALWAYS** keep children and pets away from the product when in use.
- **NEVER** leave a burning fire unattended.
- **DANGER** of carbon monoxide poisoning - **NEVER** light this product or let it smoulder or cool down in confined spaces.
- **DO NOT** use this product in a tent, caravan, car, cellar, loft or on a boat.

# WARNINGS!

- DO NOT use under any awnings, parasols or gazebos.
- FIRE HAZARD – Hot embers may emit while in use.
- WARNING: DO NOT use petrol, white spirit, lighter fluid, alcohol or other similar chemicals for lighting or relighting.
- ONLY use firelighters that comply to EN:1860-3.
- This product is ONLY suitable for use with untreated wood, logs and charcoal.
- DO NOT use coal in this product.
- DO NOT use this product on decking or any other flammable surfaces such as dry grass, wood chips, leaves or decorative bark.
- Ensure that the product is positioned at least 2m away from flammable items. Also ensure that there is a minimum overhead clearance of 2m from the top of the unit.
- DO NOT use this product as a furnace - ONLY use as a patio heater.
- ATTENTION: This product will become very hot, DO NOT move it during operation.

# OPERATION

## CARE AND USE

- Ensure that the product is positioned on a permanent flat, secure, heat resistant, non-flammable surface away from flammable items.
- Ensure that the product has a minimum of 2m overhead clearance and has a minimum of 2m clearance from other surrounding items.
- Decide on the location as above.
- The unit may be left outside all year if a cover is used to help protect it from bad weather.
- As this model is made from steel, the surface will age and develop surface rust as soon as it is placed outside and from first use. This is to be expected, does not affect use and is not a product fault. Please see below instructions on how to refresh the paint finish if desired.
- To help reduce surface rust, rub the product with an oily rag after each use.
- For safety reasons, always inspect your product prior to use for signs of fatigue and damage, and replace your model as and when necessary. Continuing to use a damaged unit could cause personal.

## LIGHTING AND REFUELLING

- This product is ONLY suitable for use with charcoal, untreated wood, logs.
- Prepare a stack of loosely crumpled newspaper and place on top of the fuel grate.
- Pile finely split dry firewood or kindling on top of the paper.
- To light the newspaper, use long safety matches or a long nosed lighter.
- Once sufficiently alight, add logs or larger pieces of untreated wood to the unit to increase the heat slowly.
- DO NOT overload with fuel, only one or two logs is sufficient.
- ALWAYS use heat resistant gloves when adding fuel and replacing the mesh cover, as the unit will become very hot.

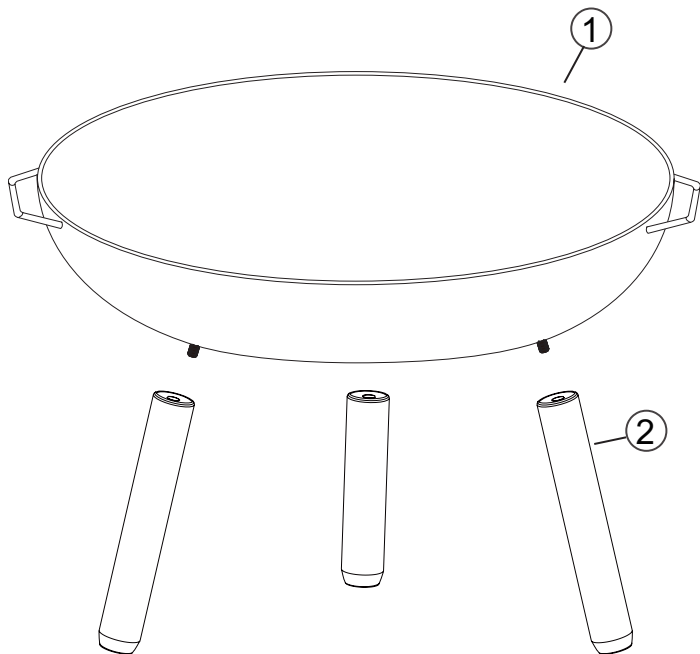
## EXTINGUISHING

- To extinguish, stop adding fuel and allow fire to die or douse with sand. DO NOT use water as this may damage the product.

## STORAGE

- When not in use, and if stored outside, cover the product once it has cooled completely with a cover.

# ASSEMBLY INSTRUCTIONS



- |        |    |
|--------|----|
| ① Bowl | x1 |
| ② Leg  | x3 |