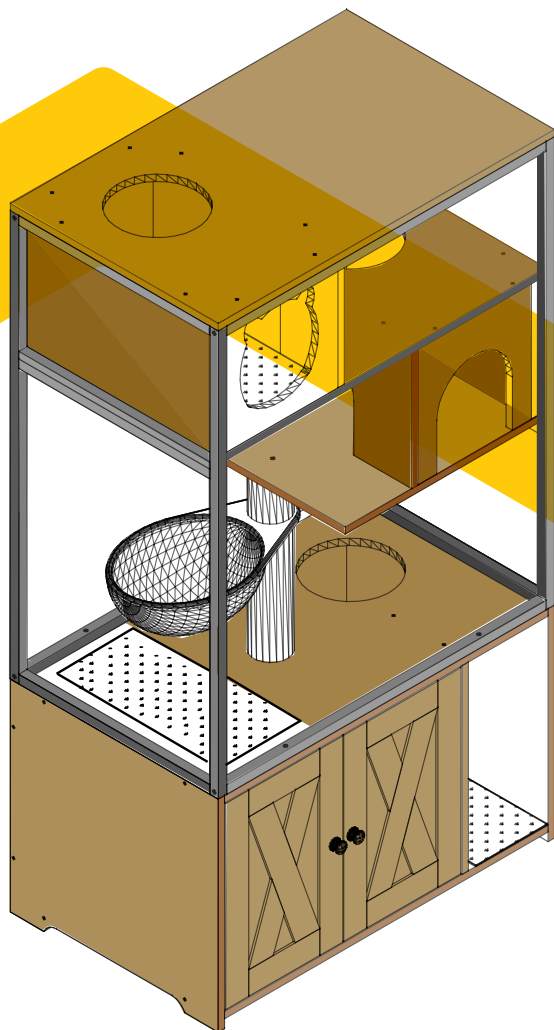


INSTRUCTION MANUAL

AIR 102





NOTICE

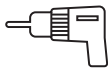
Please retain these instructions for future reference.

- Firmly secure all bolts,screws and knobs before use.
- Reconfirm that all bolts,screws,and knobs are secure every 90 days.
- Fasten screws loosely during initial assembly. Do not fully tighten screws until the item is completely assembled.
- Do not use or store this item in the proximity of open flame or flammable/combustible chemicals.
- Be aware that some parts are heavy and have sharp edges.
- Be aware that moving parts can injure,crush and cut.
- If any parts are missing,broken,damaged,or worn,stop using this product until repairs are made and/or factory replacement parts are installed.
- Do not use this item in a way inconsistent with the manufacturer's instructions as this could void the product warranty.

TOOLS REQUIRED //



PHILLIPS
SCREWDRIVER



DRILL
(RECOMMENDED)



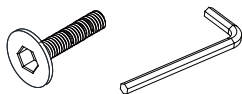
2PERSON
ASSEMBLY



APPROXIMATELY
60MIN. ASSEMBLY

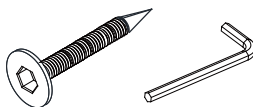
HARDWARE //

M5.0x30mm Bolt
22PCS+2spare



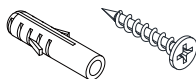
P1

M4.0x40mm Screw
52PCS+2spare



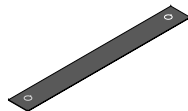
P2

Expansion screw
2PCS



P3

Rope
2PCS



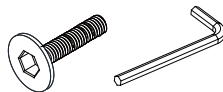
P4

Door roller
4PCS



P5

Bolt
2PCS



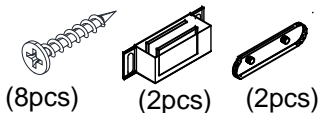
P6

Doorknob
2PCS



P7

Magnetic match



P8

HARDWARE

Rubber mat
4PCS



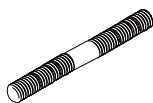
P9

Bung
36PCS+2spare



P10

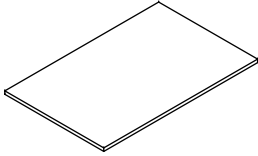
Iron bar
1PC



P11

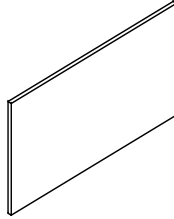
PARTS //

Bottom panel-bottom part
1PC



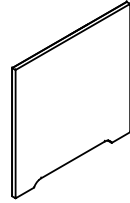
A

Back panel-bottom part
1PC



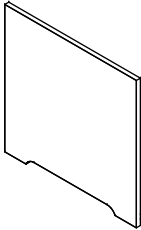
B

Left side panel-bottom part
1PC



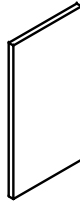
C1

Right side panel-bottom
part
1PC



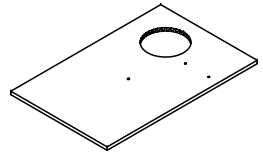
C2

Divider panel-bottom part
1PC



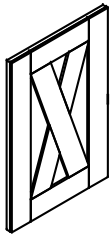
D

Upper panel-bottom part
1PC



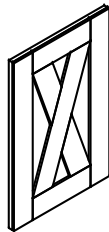
E

Left side door
1PC



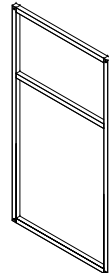
F

Right side door
1PC



G

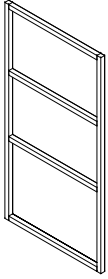
Left metal frame
1PC



H

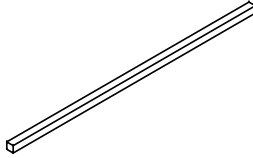
PARTS

Right metal frame
1PC



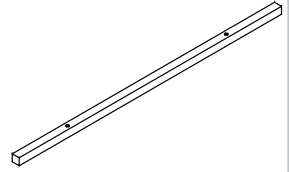
I

Upper metal frame
2PCS



J

Lower metal frame
2PCS



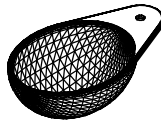
K

Pillar
1PC



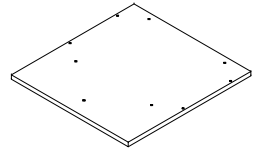
L

Hammock
1PC



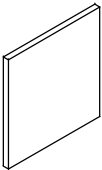
M

Middle panel
1PC



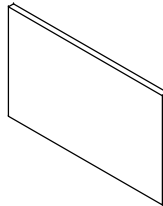
N

Back panel-middle part
2PCS



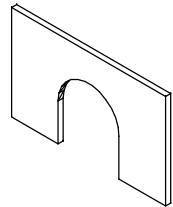
O

Side panel-middle part
2PCS



P

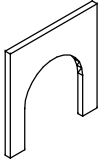
Large arch
2PCS



Q

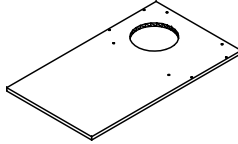
PARTS //

Small arch
1PC



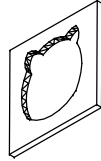
R

Bottom panel- top part
1PC



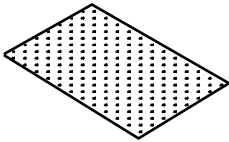
S

Front panel- top part
1PC



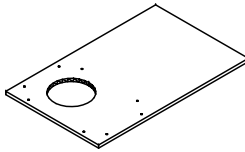
T

Mat
2PCS



U

Top panel- top part
1PC

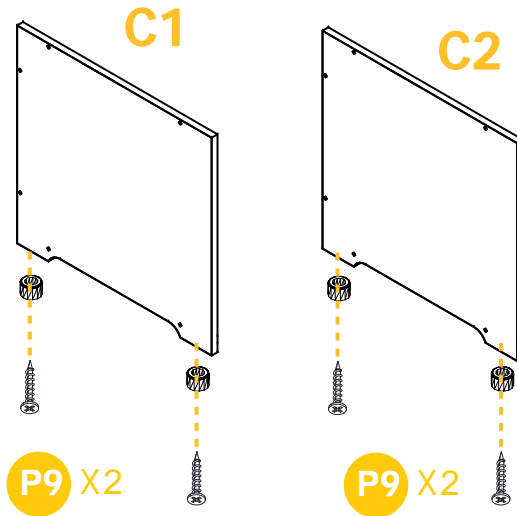


V

PRODUCT ASSEMBLY //

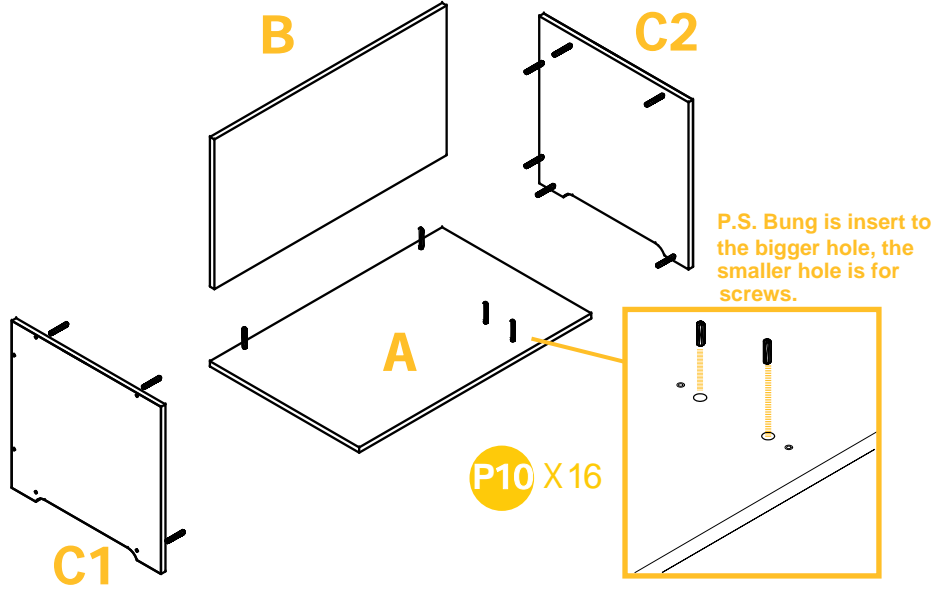
01

Screw the rubber mat to Part C1 , C2 by 2xP9 screws on each side. There are pre-drilled holes on the bottom.



02

Insert 16xP10 bung to the pre-drilled holes on Part A and C1,C2.

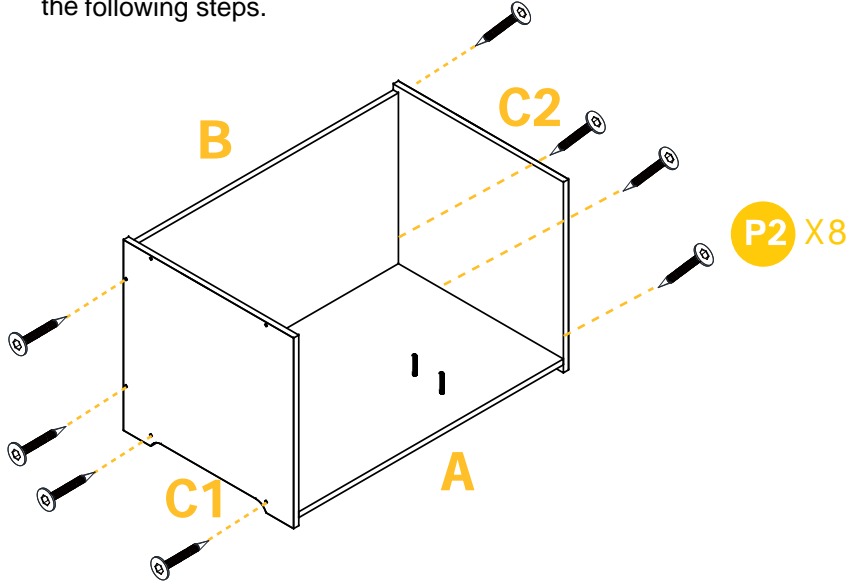


07

PRODUCT ASSEMBLY //

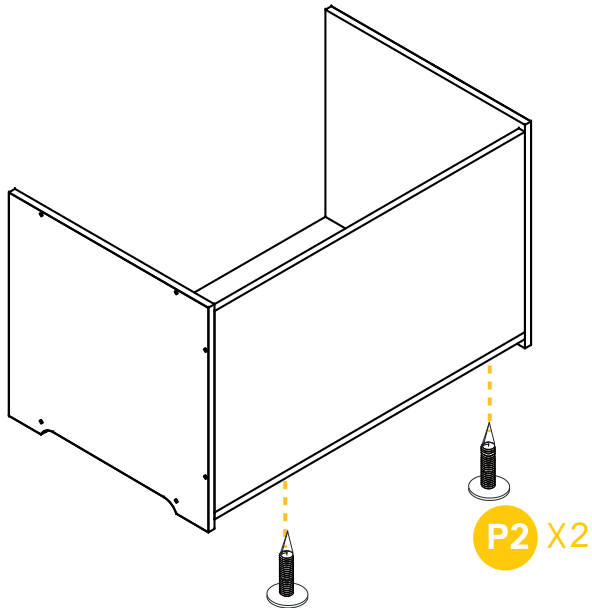
03

Attach Part A, B, and C1,C2 by 8xP2 screws.
P.S. Please loosen the screws a little so the Part E will attach easily on the following steps.



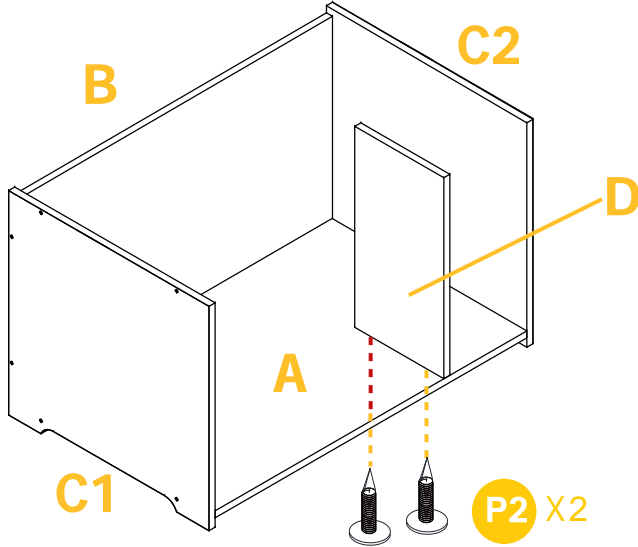
04

Screw 2xP2 from the bottom of Part A.

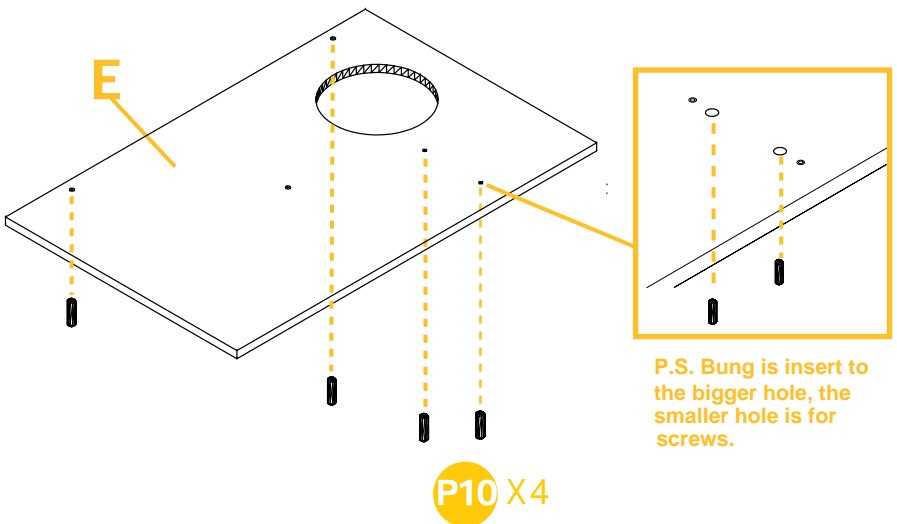


PRODUCT ASSEMBLY //

05 Attach Part D to Part A by 2xP2 from the bottom.



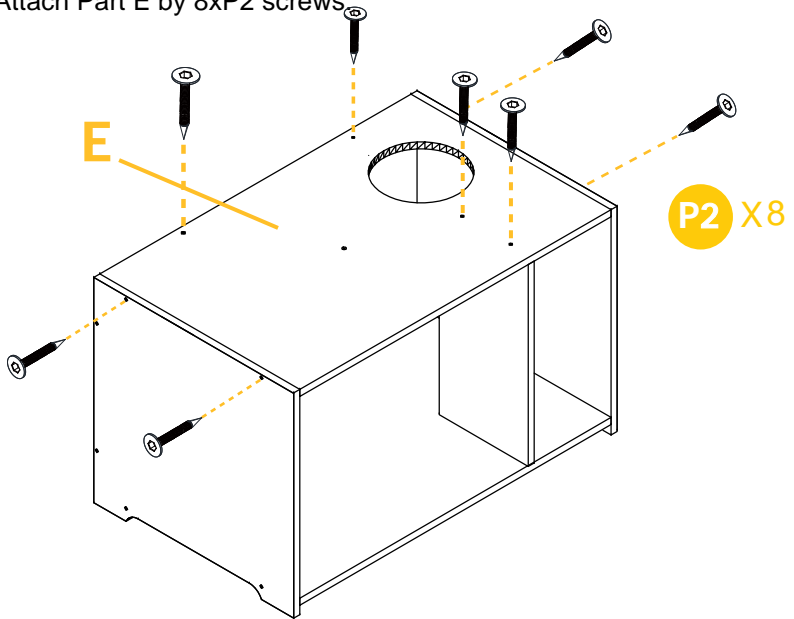
06 Insert 4xP10 bung to the pre-drilled holes on Part E.



PRODUCT ASSEMBLY //

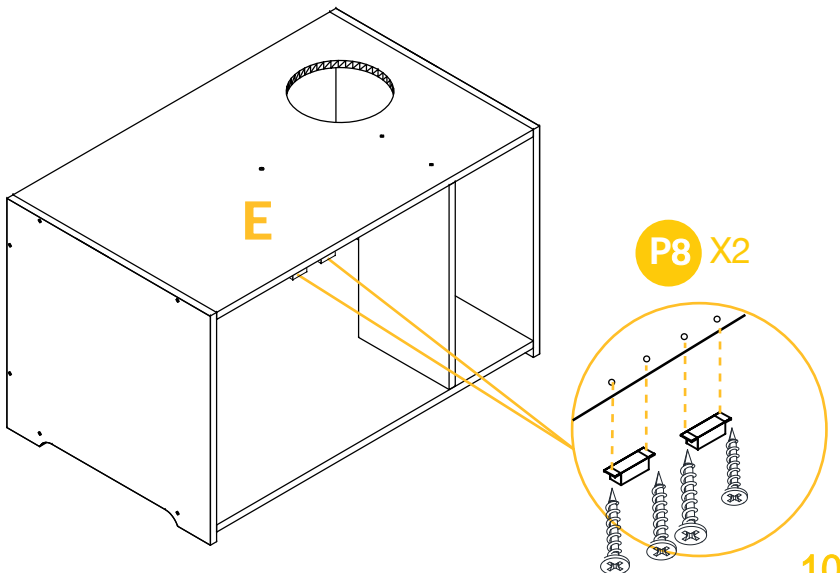
07

Attach Part E by 8xP2 screws



08

Attach 2xP8 to Part E (There are pre-drilled holes on Part E)

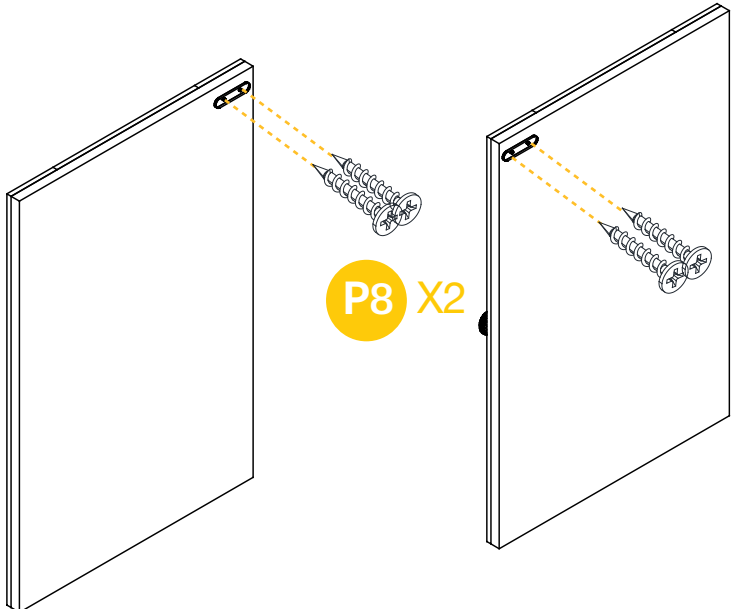
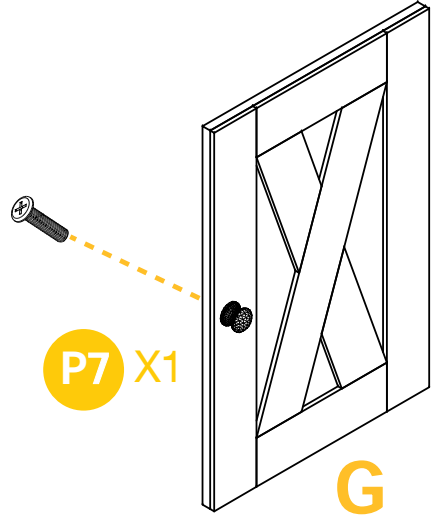
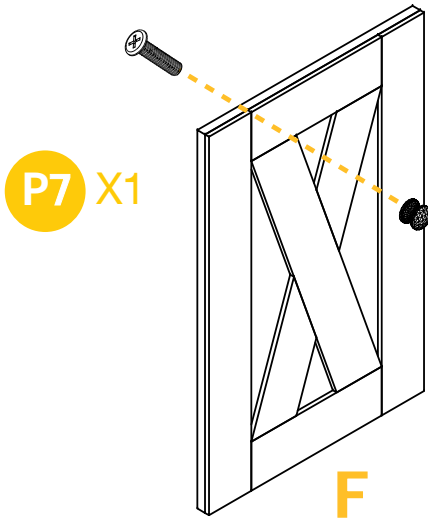


PRODUCT ASSEMBLY //

09

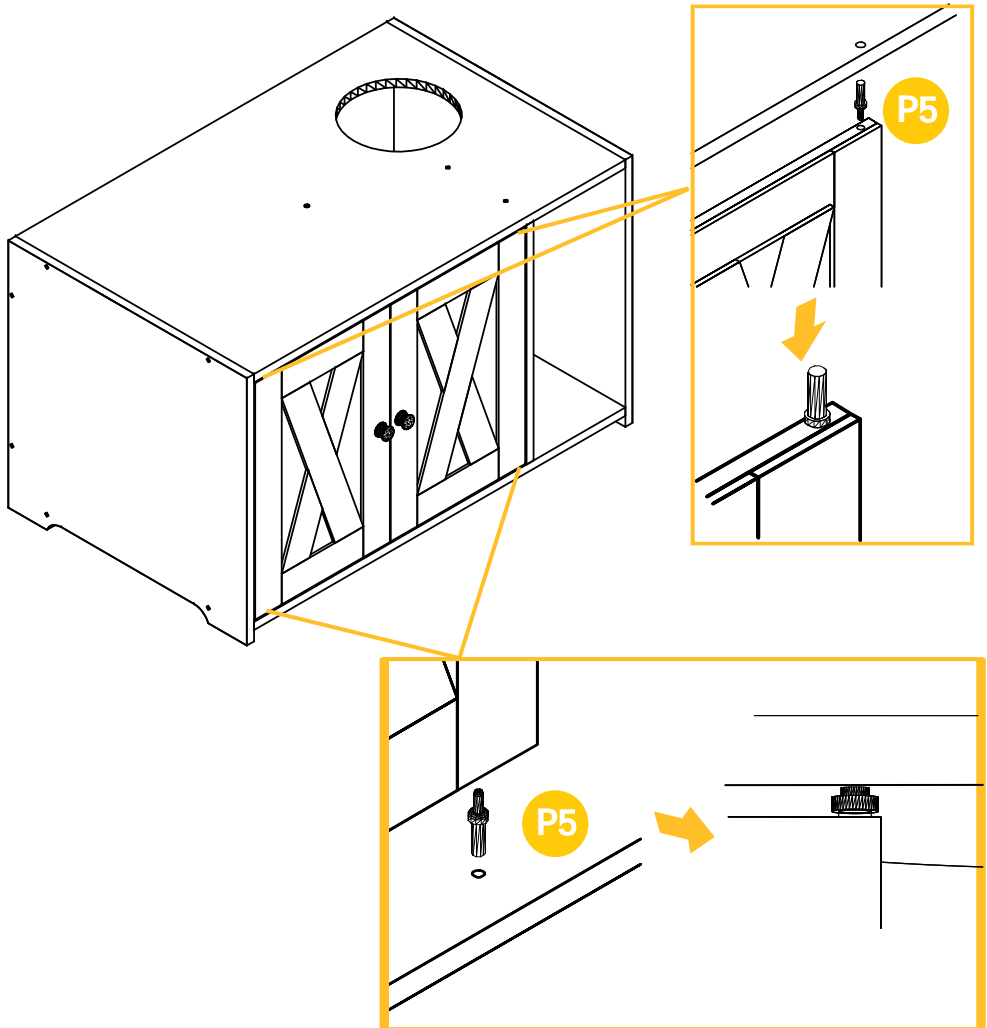
Attach P7 to Part F & G.

Attach 2xP8 to the back side of Part F & G (There are pre-drilled holes on Part F & G)



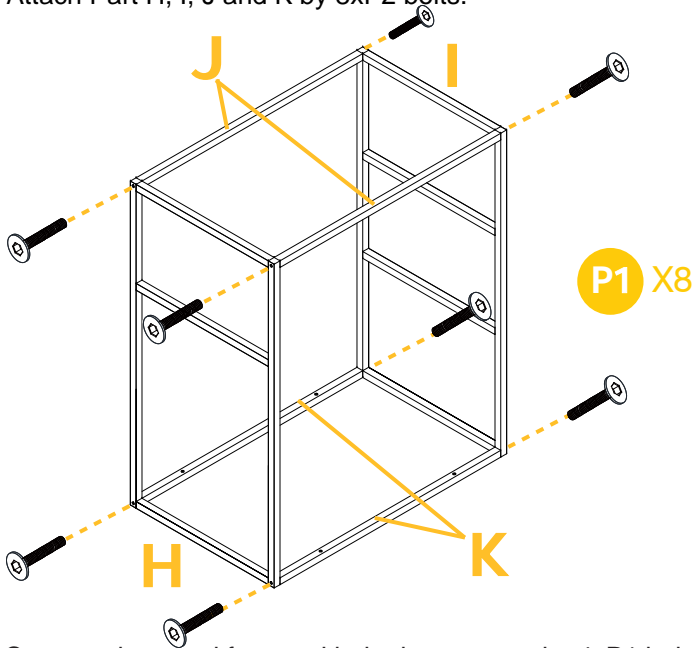
PRODUCT ASSEMBLY //

10 Press down 4xP5 to the door corner.

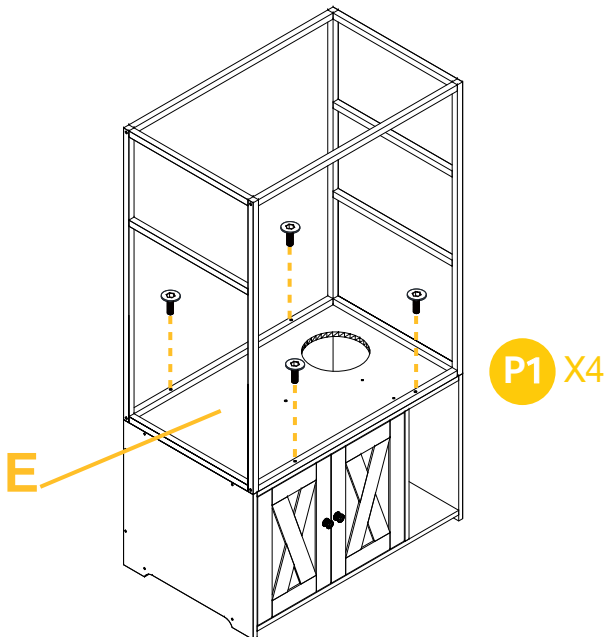


PRODUCT ASSEMBLY //

11 Attach Part H, I, J and K by 8xP2 bolts.



12 Connect the metal frame with the bottom part by 4xP1 bolts on Part E.

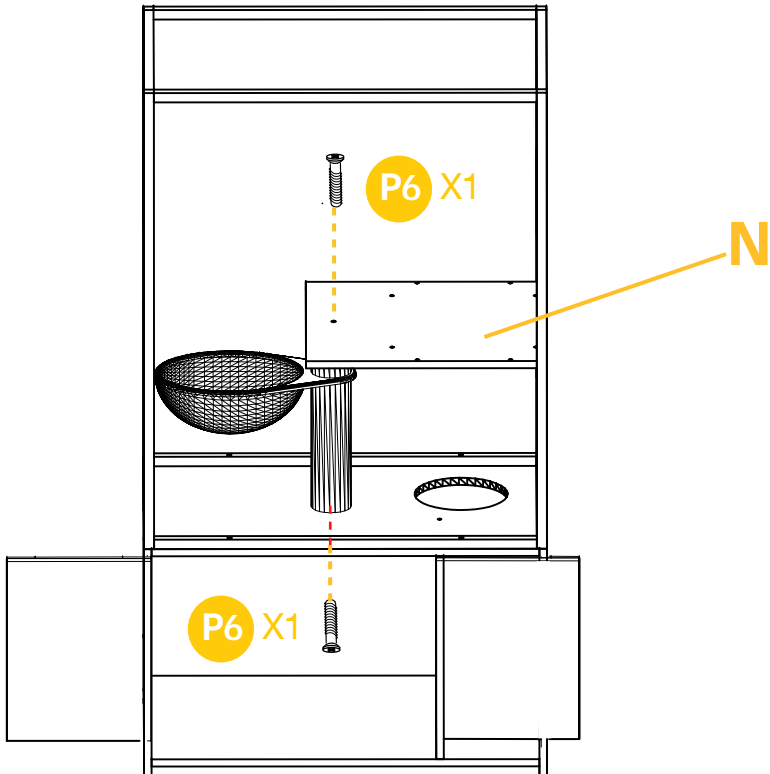
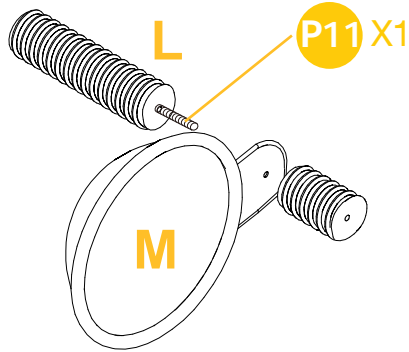


13

PRODUCT ASSEMBLY //

13

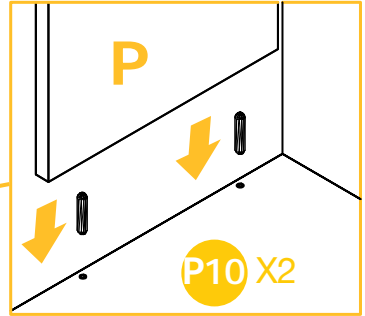
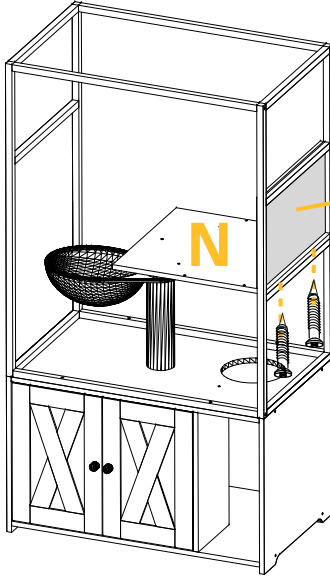
Connect Part L & M together by 1xP11.
Attach the hammock by 2xP6 bolts.



PRODUCT ASSEMBLY

14

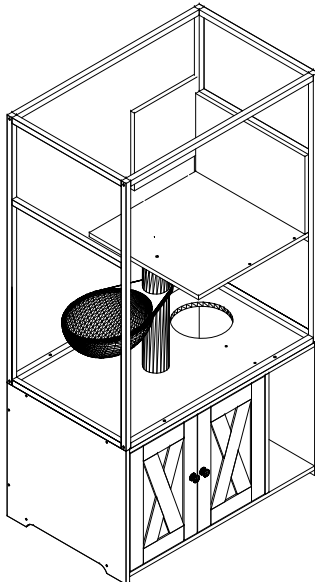
Insert 2xP10 bung to the pre-drilled holes on Part N.
Attach Part P by 2xP2 screws.



P2 X2

15

Attach Part O to Part N by 2xP2 screws from the bottom.

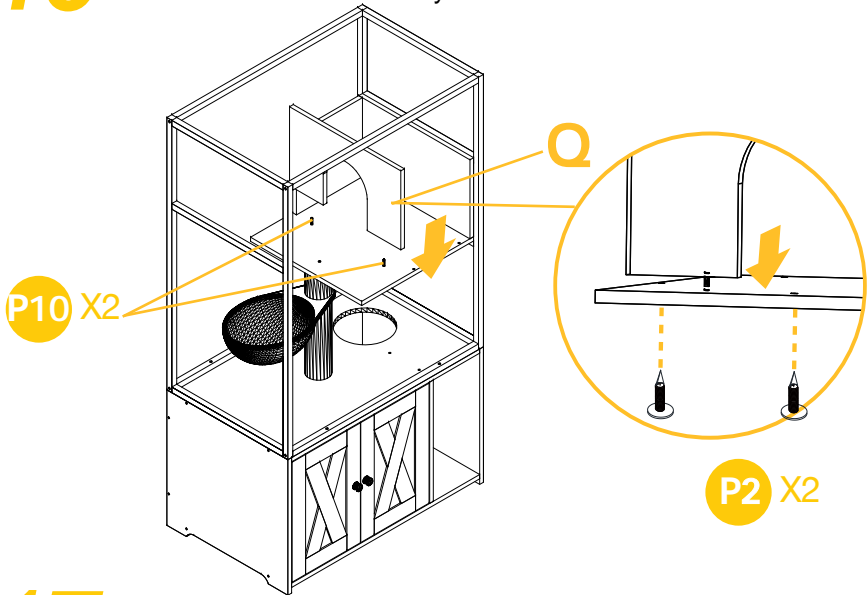


P2 X2

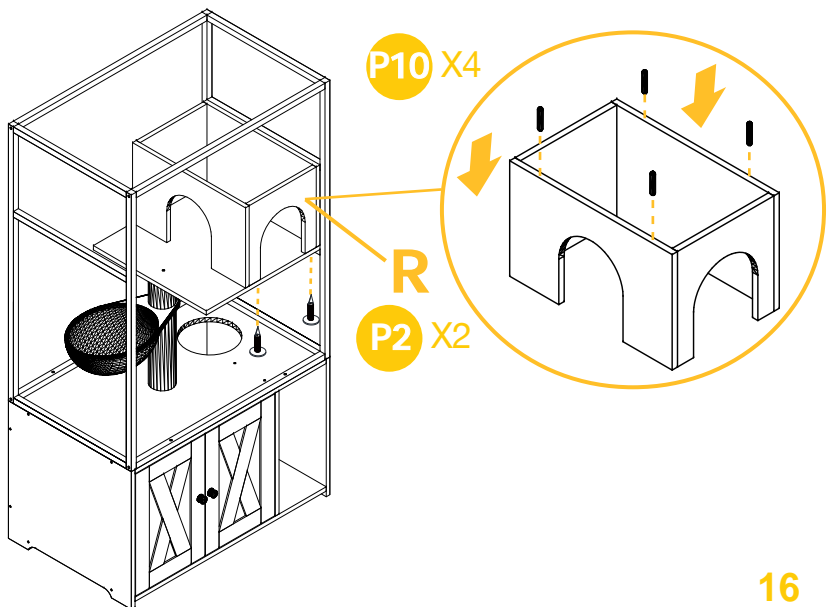
O

PRODUCT ASSEMBLY //

- 16** Insert 2xP10 bung to the pre-drilled holes on Part N.
Attach Part Q to Part N by 2xP2 screws from the bottom.

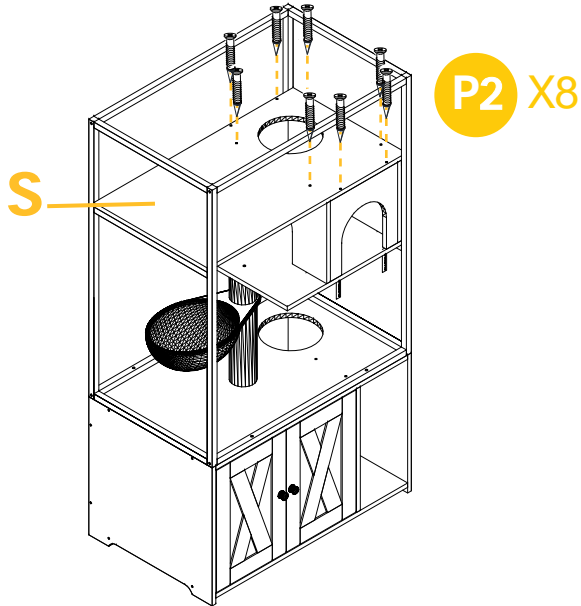


- 17** Attach Part R to Part N by 2xP2 screws from the bottom.
Insert 4xP10 bung to the pre-drilled holes on upside.

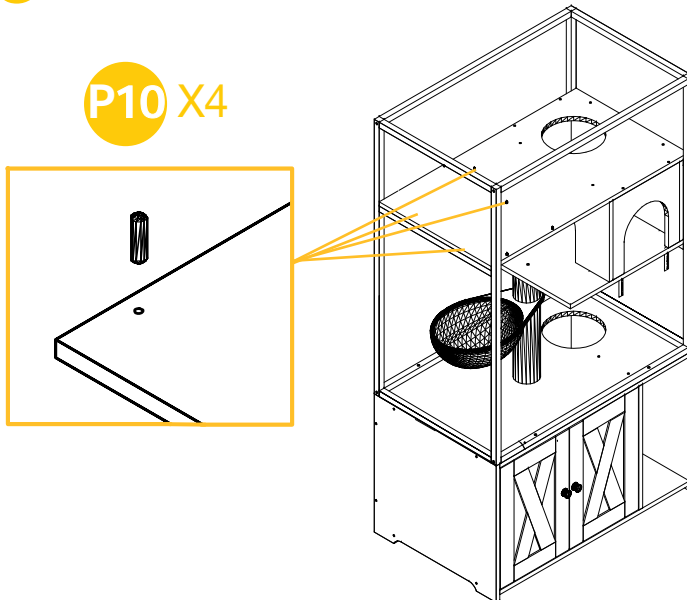


PRODUCT ASSEMBLY //

18 Attach Part S by 8xP2 screws.

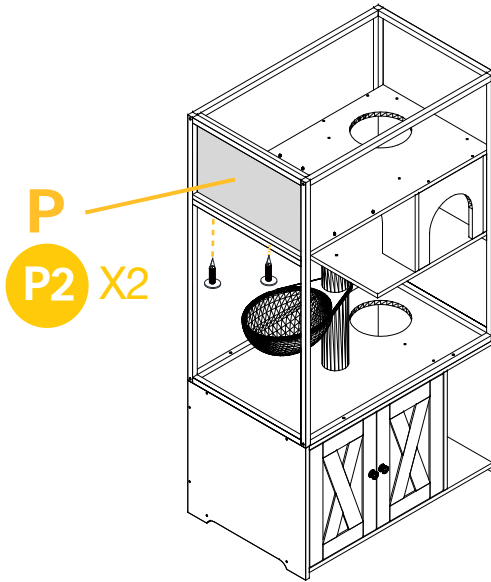


19 Insert 4xP10 bung to the pre-drilled holes on Part S.

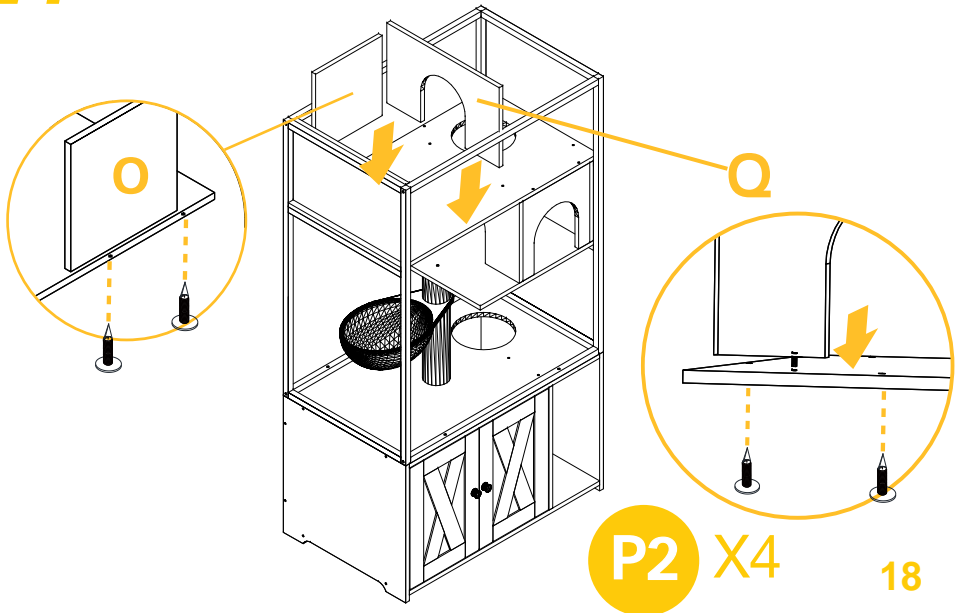


PRODUCT ASSEMBLY //

20 Attach side panel Part P to Part S by 2xP2 screws from the bottom.

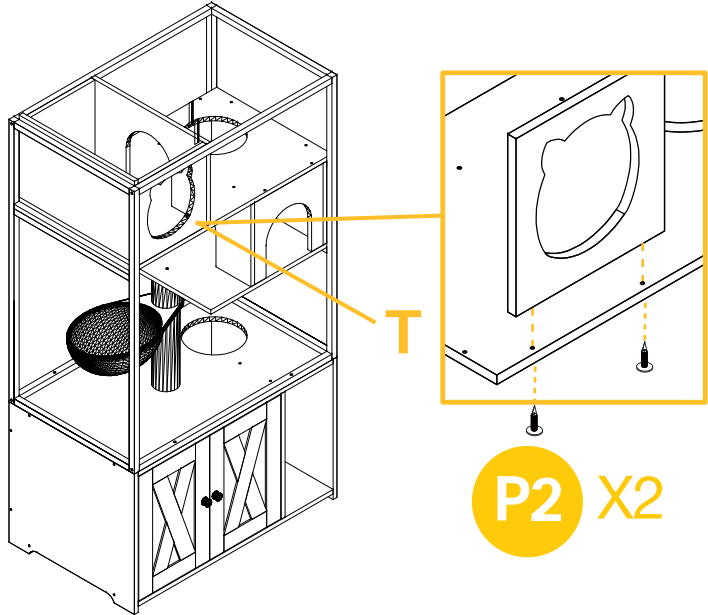


21 Attach Part O & Q to Part S by 4xP2 screws from the bottom.

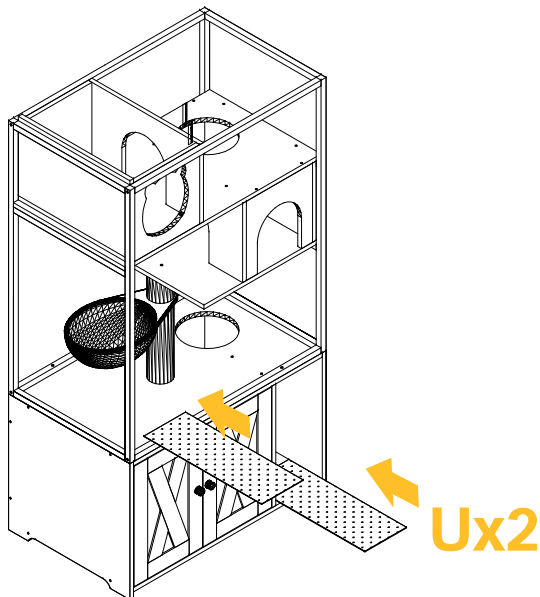


PRODUCT ASSEMBLY //

22 Attach Part T to Part S by 2xP2 screws from the bottom.



23 Put Part U on the bottom part and the middle part.

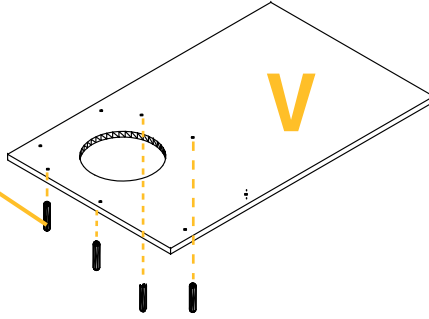


PRODUCT ASSEMBLY //

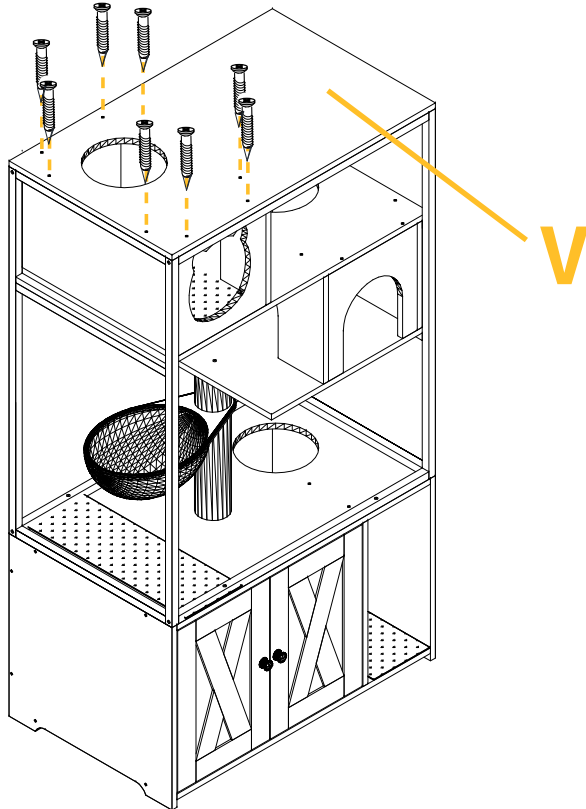
24

Insert 4xP10 bung to the pre-drilled holes on Part V from the bottom. Attach Part V by 8xP2 screws.

P10 X4

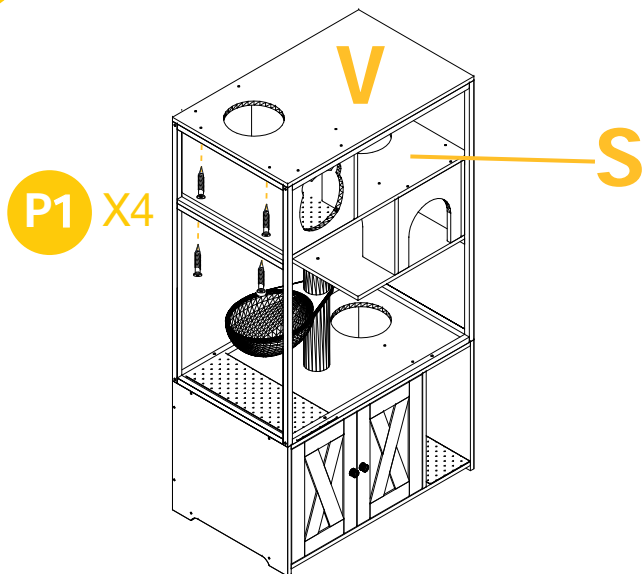


P2 X8

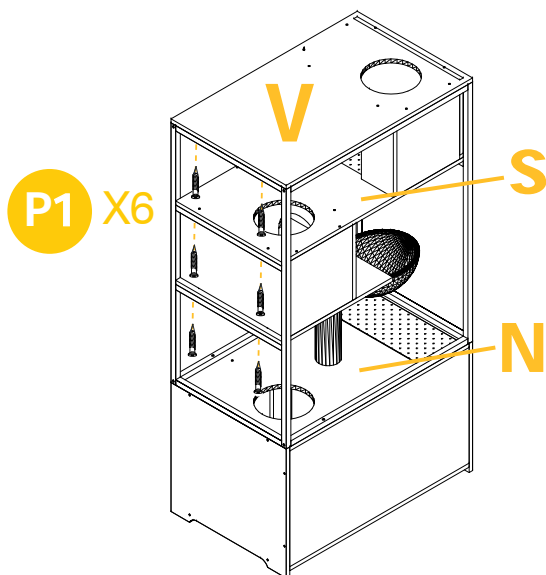


PRODUCT ASSEMBLY //

25 Fix the Part S & V by 4xP1 screws.

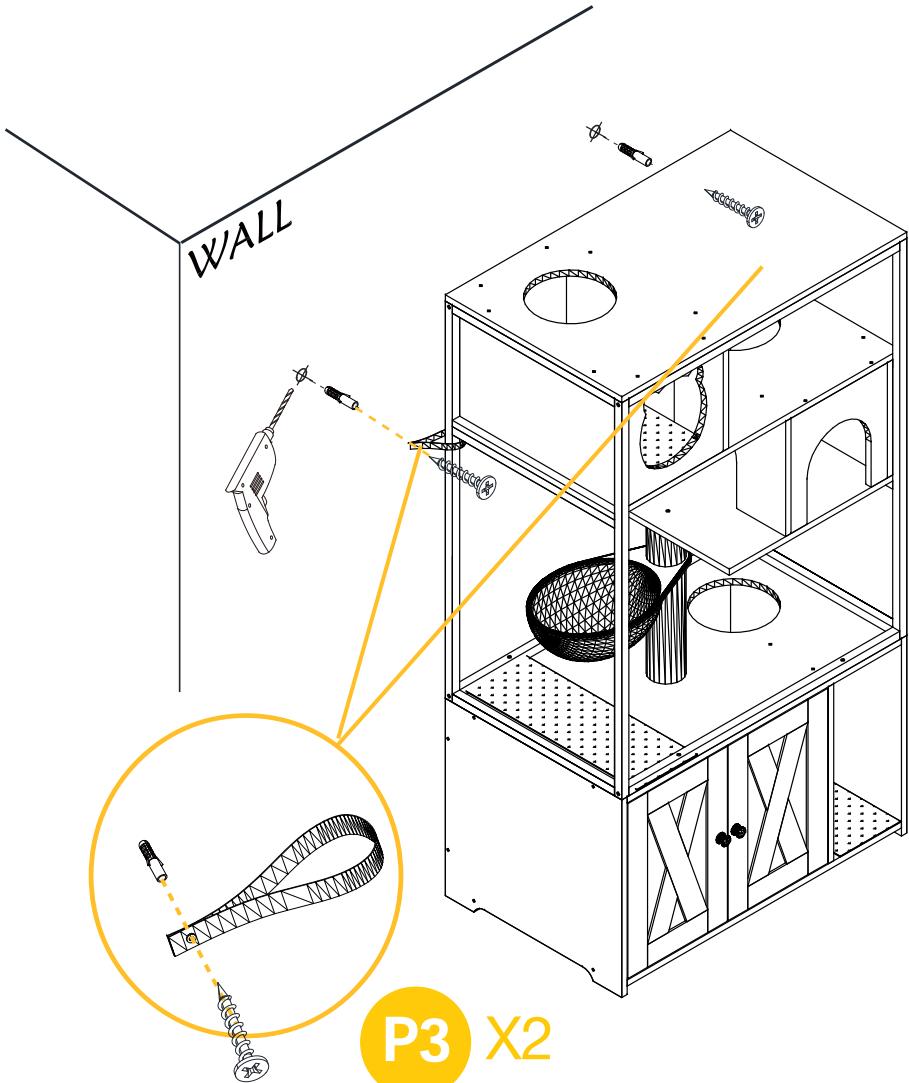


26 Fix the Part S, V and N by 6xP1 screws on the other side.



PRODUCT ASSEMBLY //

27 Fix on the wall using 2xP4 rope by 2xP3 screws if need.



P3 X2

P4 X2

Finish



WARNING

Manufacturer and seller expressly disclaim any and all liability for personal injury, property damage or loss, whether direct, indirect, or incidental, resulting from the incorrect attachment, improper use, inadequate maintenance, or neglect of this product.