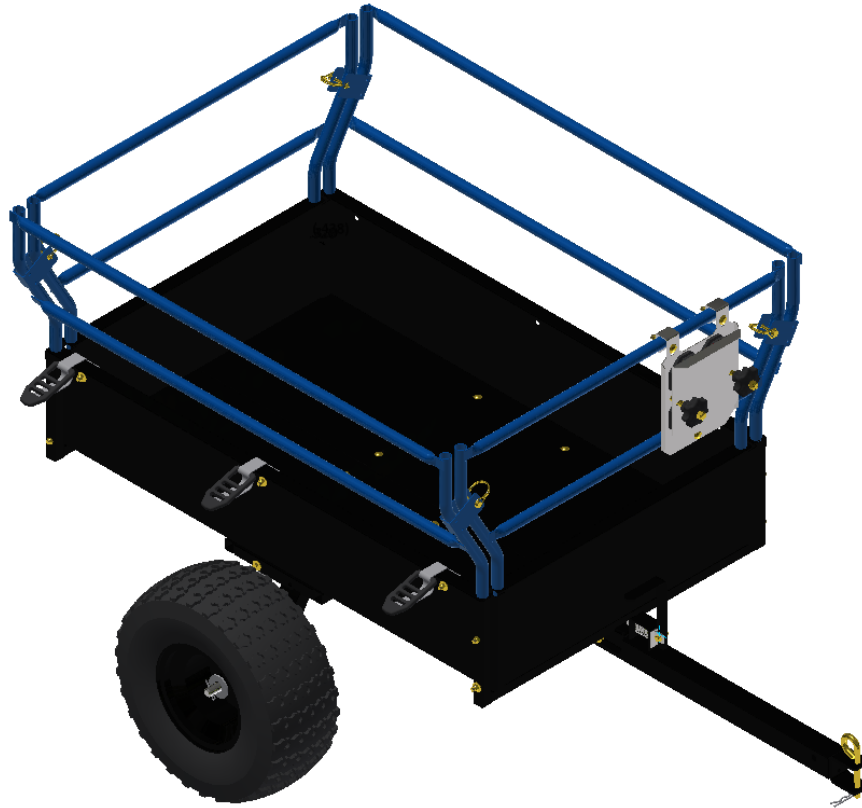




Lift-Assist Optional

Have a question?
Give us a call at 1-844-2OXCART
(69-2278) or email at info@oxcart.com.
We are here to help!



; HA Mesh-Free ATV GYf]Yg

CI 7 Ufh25cu ft STEEL DUMP CART



READ AND FOLLOW ALL SAFETY RULES AND OPERATING INSTRUCTIONS BEFORE USING THIS EQUIPMENT

Safety Rules



This is the safety alert symbol. It is used to alert you to potential personal injury hazards. Obey all safety messages that follow this symbol to avoid possible injury or death.

Read and understand all safety rules and operating instructions before using this tractor attachment (Dump Cart).

Follow all safety rules and operating instructions provided by your tow vehicles manufacturer when using the Dump Cart.

Never allow children or untrained persons to operate the vehicle or Dump Cart.

Do not exceed the vehicle manufacturer's tow weight limit.

Reduce the vehicle speed and allow extra stopping distance when towing heavy, unpredictable loads.

Reduce vehicle speed and towed weight when operating on slopes.

Operate up and down slopes, never across the face of slopes.

Do not carry passengers on the tow vehicle or the Dump Cart.

Avoid sudden turns or maneuvers.

Do not tow the Dump Cart on public roadways.

Do not remove warning decals from the Dump Cart.

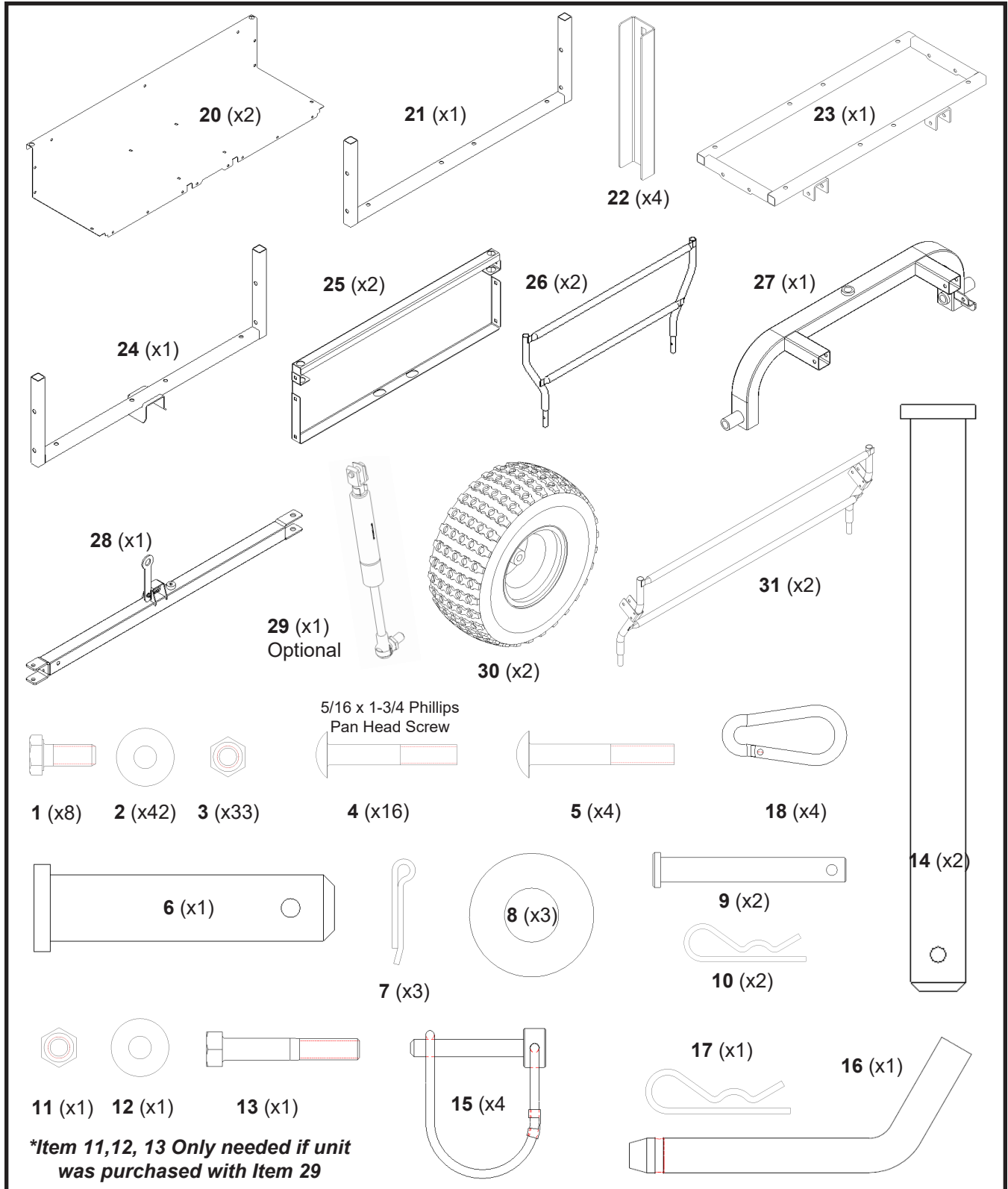
Check the Dump Cart for worn, loose, or damaged parts before each use. If any damage is present, repair the Dump Cart before using.

Check the Dump Cart for loose or missing fasteners before each use. Tighten or replace fasteners as needed before using.

Do not exceed 8 miles per hour when towing the Dump Cart.

Do not exceed maximum towing capacity of your towing vehicle's owner manual.

Carton Contents By Item Number



TOOLS REQUIRED FOR ASSEMBLY:

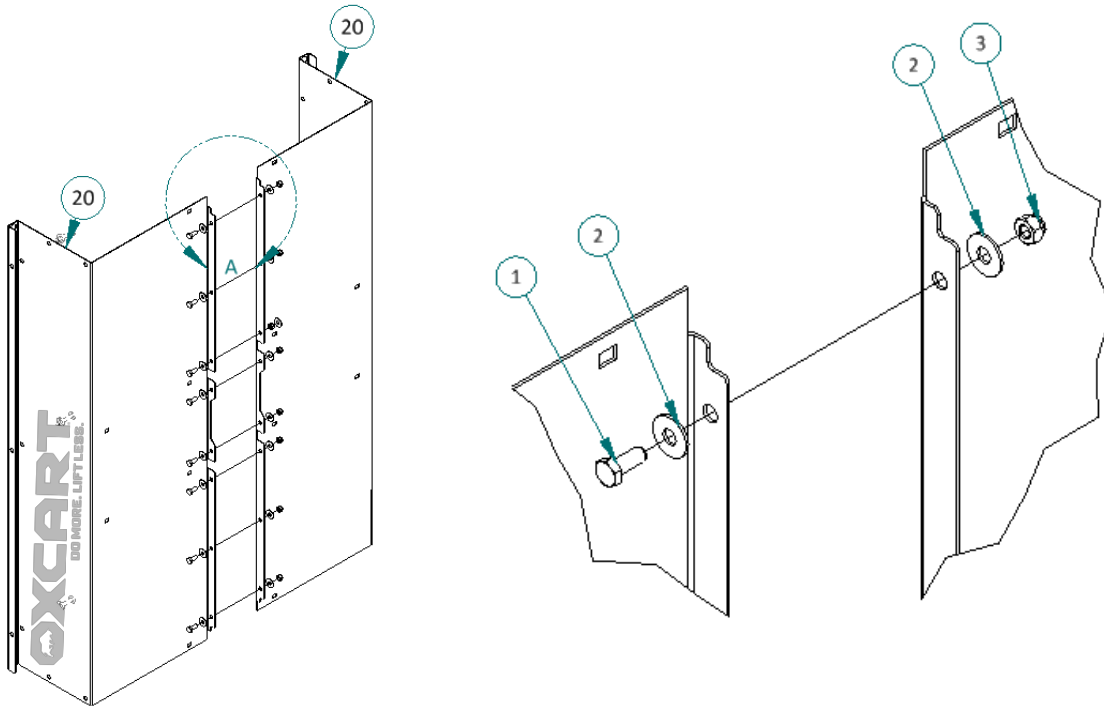
- 1/2" Wrench
- Phillips Screwdriver
- Thin 13mm Wrench, crescent or vise grip
- Pliers

Assembly Instructions By Step

KEY TIP: Only hand-tight Steps 1 – 9 including install of hand rails. After Step 9, rotate bed up onto tailgate side to tighten down underside of two Bed Panels, Bottom Frame Assembly, and Slide U-Frames ends.

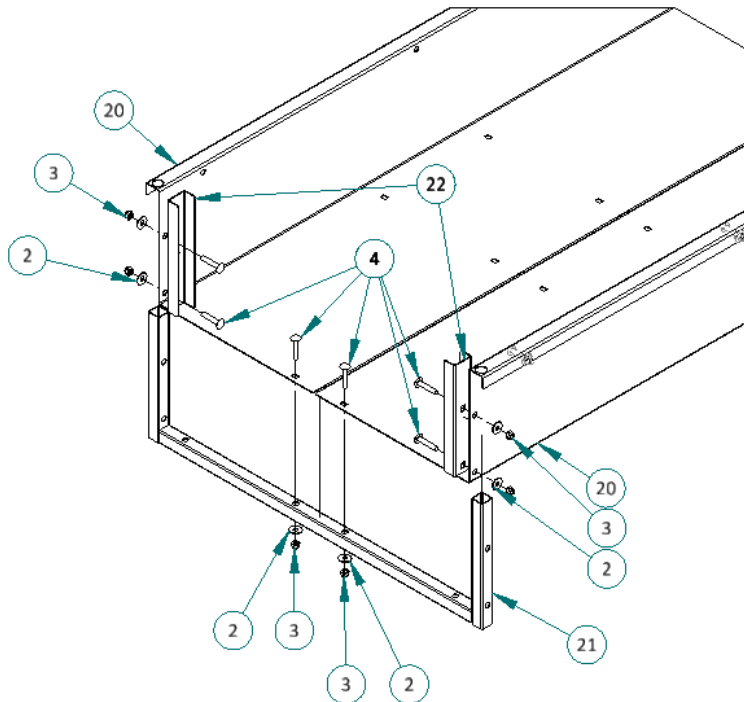
1

Set up bed side panels (Item 20) upright on a flat even surface. Bring flanges together & in alignment. Hand assemble hardware 8X, Reconfirm alignment & tighten with wrench.



2

Slide Back U-Frame Tailgate (Item 21) over assembled bed sides until holes align. Then place slide bracket (Item 22) in place until holes align. Finally fasten with provided hardware. *Tip Make sure square tube is centered in hole on bed side*

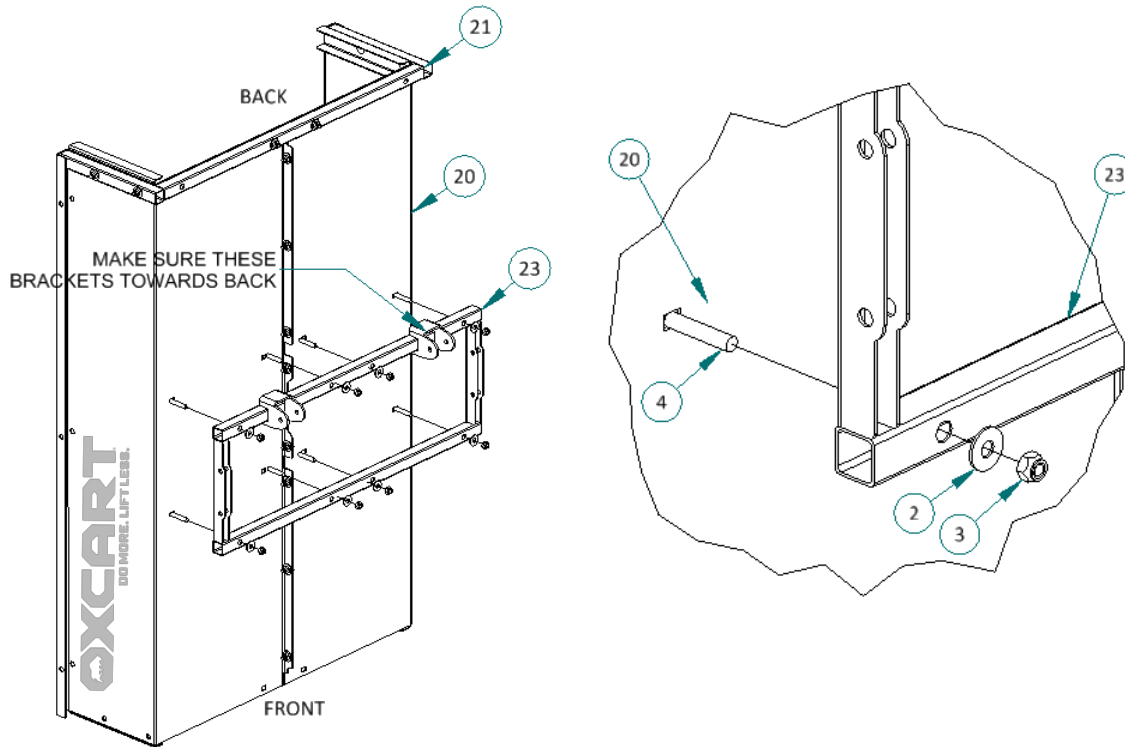


Assembly Instructions By Step

KEY TIP: Only hand-tight Steps 1 – 9 including install of hand rails. After Step 9, rotate bed up onto tailgate side to tighten down underside of two Bed Panels, Bottom Frame Assembly, and Slide U-Frames ends.

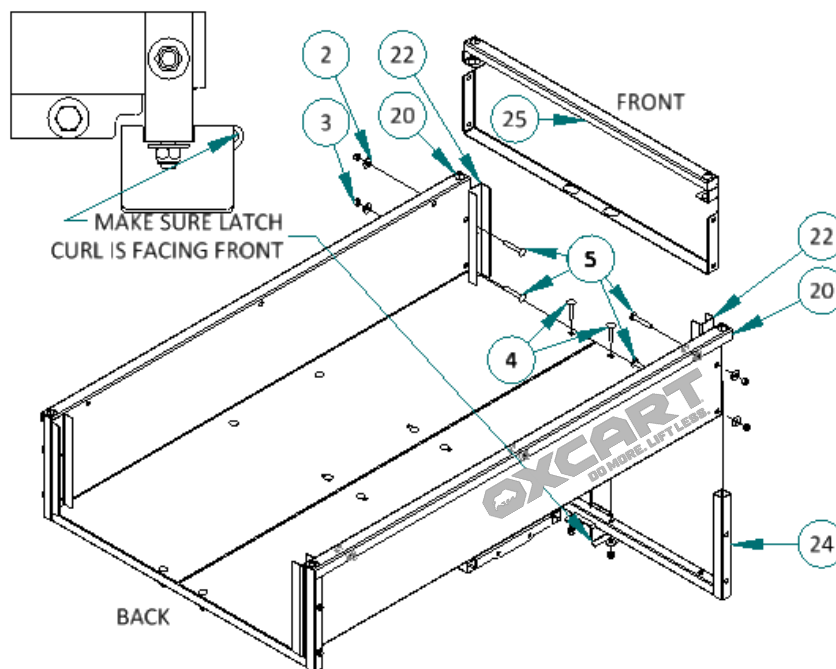
3

Place & hold Bottom Frame Assembly (Item 23) in center of Bed Side Panels (Item 20) & aligned with holes. Then Fasten with provided hardware. Make sure brackets face towards the back. *Two people suggested* **Make sure brackets towards back**



4

Slide Back U-Frame (Item 24) over assembled bed sides until holes align. Fasten only with hardware #4 provided. Then place slide brackets (Item 22) in place until holes align. Finally side assembled Front Panel (Item 25) into slide brackets (Item 22) & fasten with hardware provided. *Make sure latch curl is facing front*

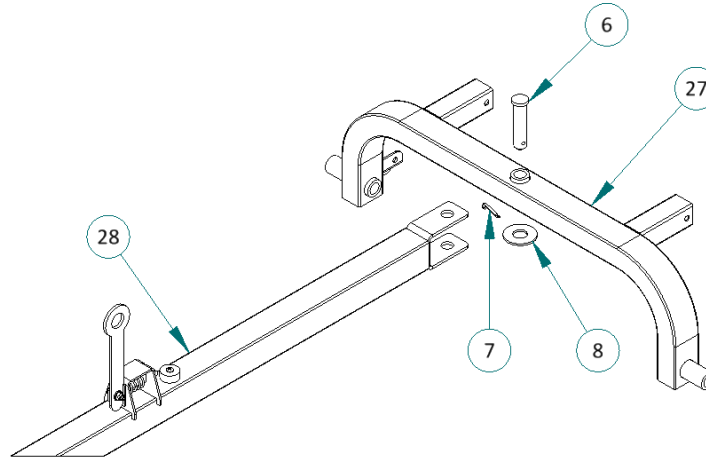


Assembly Instructions By Step

KEY TIP: Only hand-tight Steps 1 – 9 including install of hand rails. After Step 9, rotate bed up onto tailgate side to tighten down underside of two Bed Panels, Bottom Frame Assembly, and Slide U-Frames ends.

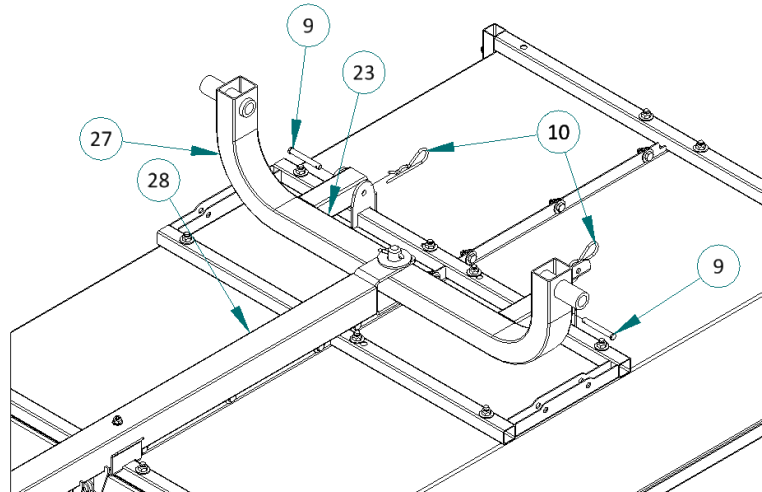
5

Slide the tow bar (Item 28) onto the axle frame (Item 27) and align with the pivot hole. Secure with the provided hardware as shown. Use pliers to bend the cotter pin ends.



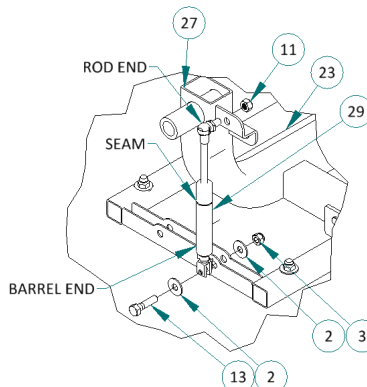
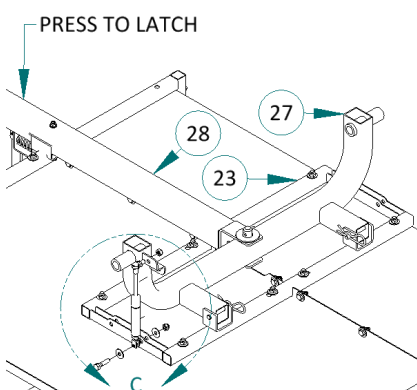
6

Align the Axle Frame (Item 27) with the Bottom Frame Assembly (Item 23) pivot holes. Insert the hinge pin through each pivot bracket and secure each with a hairpin cotter.

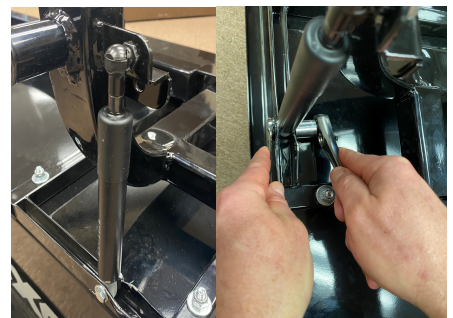


7

First, align the barrel end of the lift-assist with the bed frame mount hole. Secure the barrel end with the M8 nut & washers provided using a thin 13mm wrench, crescent or vise grip. Ensure seam of lift-assist is aligned as pictured. (Suggestion to aid in ease of attachment is to assemble loose first and then tighten rod end and then barrel end). Second, align the rod end with gas spring bracket mounting hole. To aid in alignment, raise and lower tow bar.



Optional - If equipped

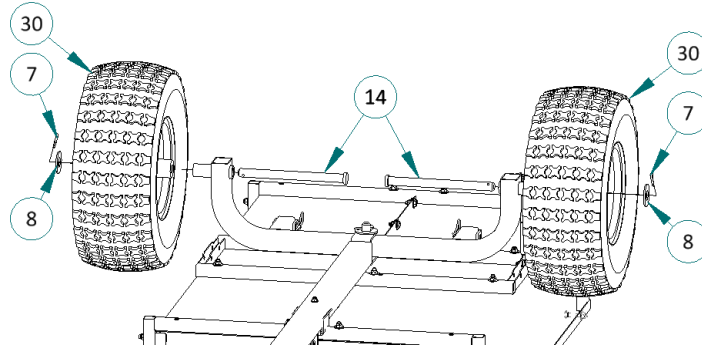


Assembly Instructions By Step

KEY TIP: Only hand-tight Steps 1 – 9 including install of hand rails. After Step 9, rotate bed up onto tailgate side to tighten down underside of two Bed Panels, Bottom Frame Assembly, and Slide U-Frames ends.

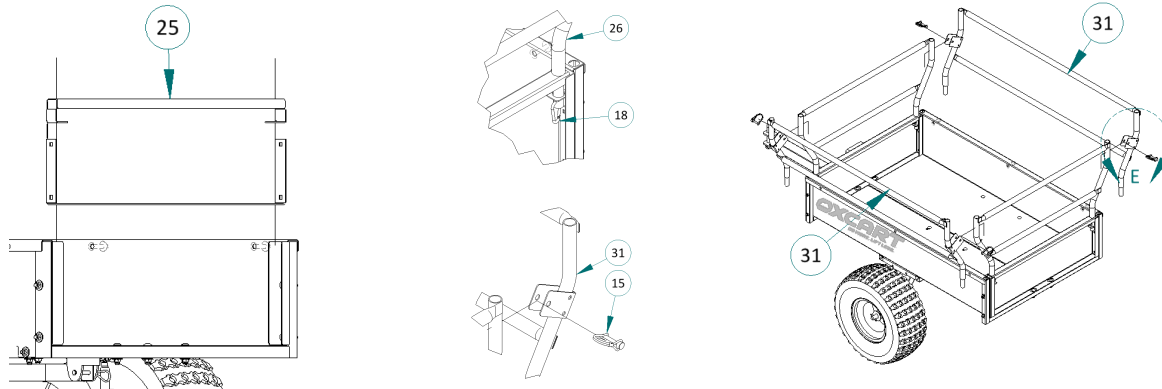
8

Insert the axles through the axle bushings. Secure each wheel with a washer and cotter pin. Use pliers to bend cotter pins end to secure wheel. ***Optional spacer or washers may be provided to increase space between tire & bed panels.***



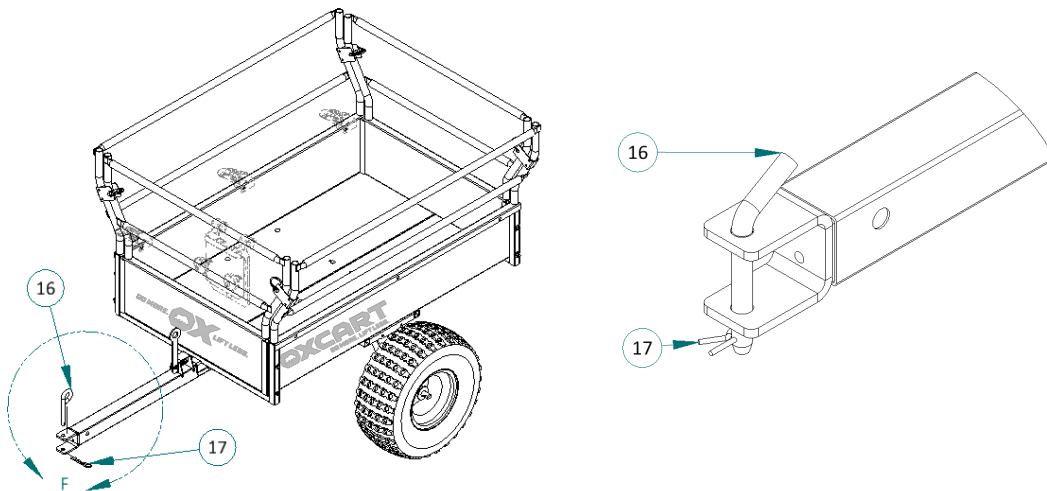
9

First place Back Panel (Item 25) into Slide Bracket (Item 22). Next align Rails (Item 26 & 31) with Holes in Front/Back & Side Panels (Item 25 & 20) & Secure with Hardware provided. Rotate bed up onto tailgate side to tighten down underside of two Bed Panels, Bottom Frame Assembly, and Slide U-Frames ends.



10

Insert the tow pin and secure with the hairpin cotter.



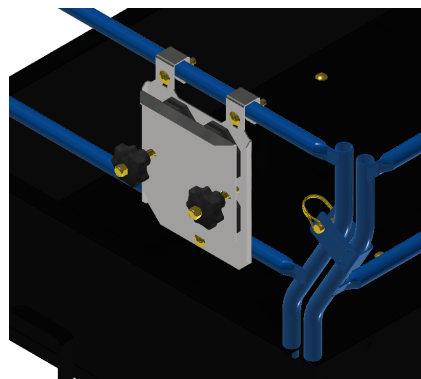
Check out our cool accessories on OxCart.com and find a retailer near you!



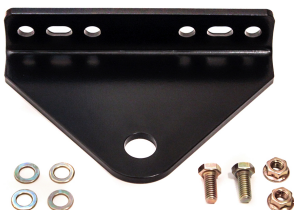
Long Handle Tool Holder Accessory



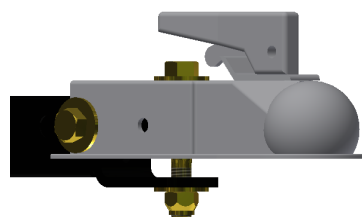
Chainsaw Holder Accessory



OxCart Universal
Zero-Turn Hitch Kit



2" Straight Coupler by user



Hydraulic Lift- Assist
GTM798307

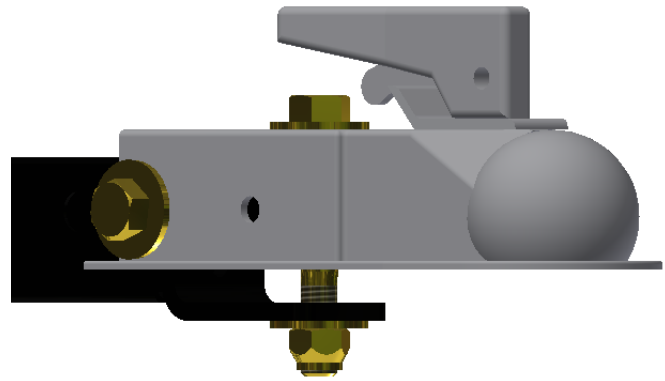
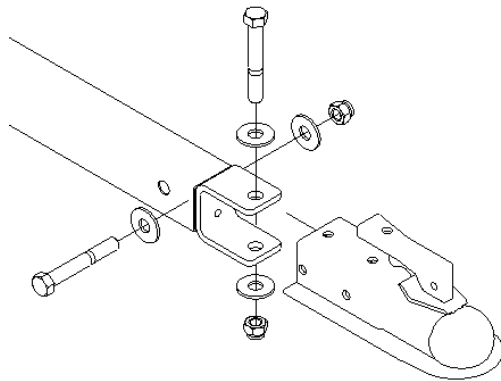


DO MORE and increase turning radius!

Do -it-yourself upgrades.

Instructions for 2" Straight Coupler Installation (Straight Coupler no included):

- 1) Recommended coupler Curt PN 25153 (Hole pre-drilled in towbar for this PN)
- 2) Purchase below hardware from local hardware store.
 - a) Qty. 2 - 1/2" Dia x 3.5" Grade 5 Bolts
 - b) Qty. 4 - 1/2" Washer
 - c) Qty. 2 - 1/2" Nyloc Nut
- 3) Bolt Coupler to end of towbar.



Operating Instructions

Before Using The Dump Cart:

- Read and fully understand the tow vehicle operator's manual.
- Do not exceed tow vehicles maximum towing capacity found in vehicles manual.
- Read all Safety Rules found on page 2.

How to Use Dump Cart:

- Tow the Cart at a low speed when traveling on uneven grading and unpredictable surface materials.
- Do not tow the Cart with the bed in the raised position.
- Verify, and never exceed tow vehicles' towing capacity. Heavy loads may cause the tow vehicle's brakes to fail.
- Carts are not DOT approved and should not be used on public roads or highways.
- Maximum towing speed should NOT exceed 8 mph.
- Do not exceed the recommended Cart capacity rate of 1750 lb. (340.0 kg)
- Do not overfill the Cart bed, contents shift during transportation and could become unstable.
- Do not make sharp turns causing contact between the tow vehicle rear wheels and the Dump Cart tow bar. 2" ball hitch recommended.
- Maintain safe travel distances from steep hills, holes, and ditches.

How to Empty Dump Cart - Rear Dump Function:

1. Always ensure the dump area and Dump Cart are clear of obstructions and personnel, during the dumping process. Remove tailgate.
2. To release the bed latch, apply constant downward pressure to the top edge of the bed with one hand.
3. While applying downward pressure to the bed, move the bed latch handle towards the tow vehicle until the bed latch releases.
4. Once the bed latch releases, use both hands to maintain control while slowly dumping the bed contents.

Operating Instructions

How to Empty The Dump Cart - Side Dump Function:

1. Always ensure the dump area and Dump Cart are clear of obstructions and personnel during the dumping process. Remove tailgate.
2. Face the bed latch handle in the same direction as proposed dump area.
3. Release the bed latch by applying downward pressure on the bed with one hand, while moving the bed latch handle toward the tow vehicle until the bed releases from the tow bar.
4. Once the bed latch releases, use both hands to maintain control and rotate the bed towards the dump area.
5. Slowly dump-out bed contents.

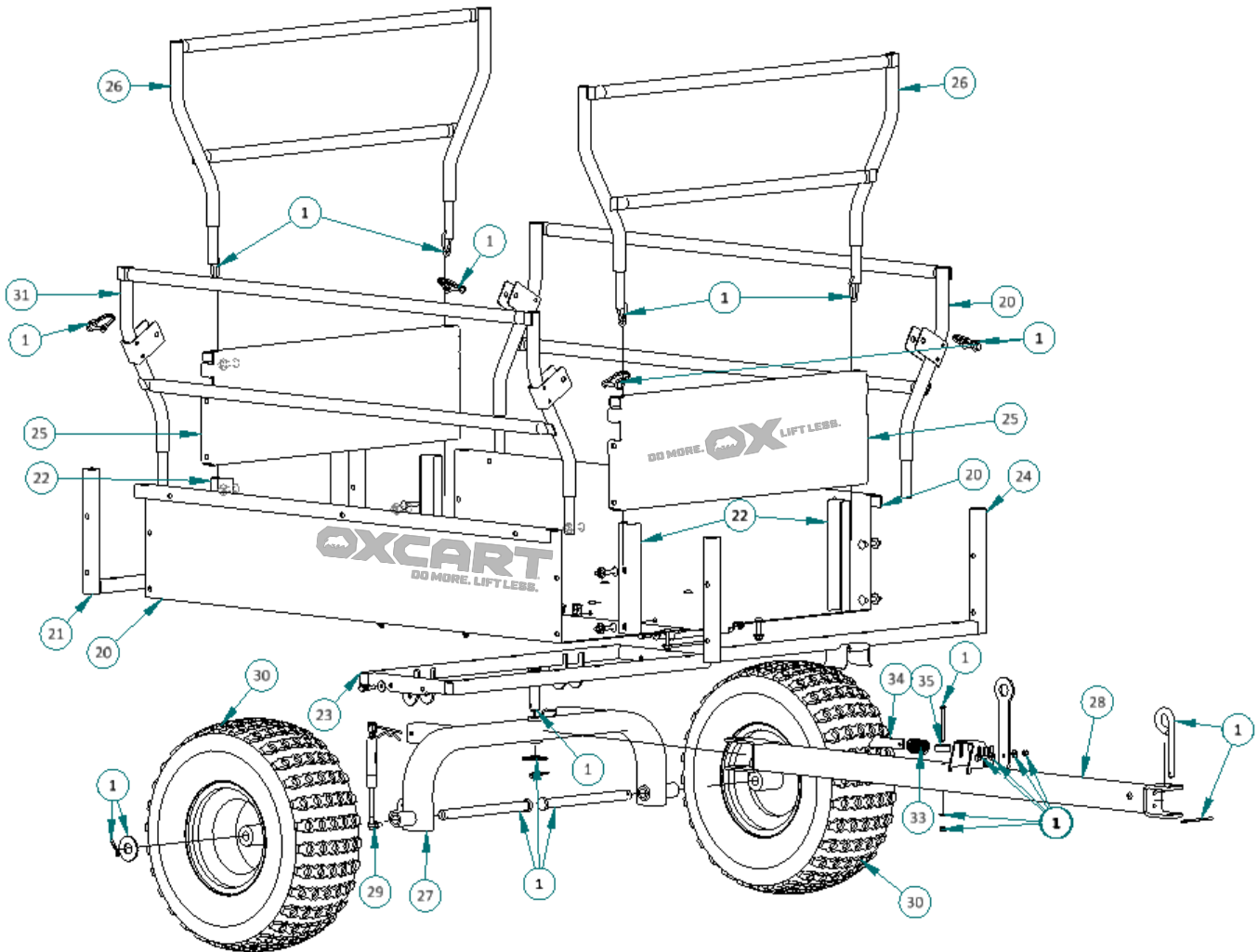
Bed Latch:

1. Travel with the bed in the latched position. Always secure the bed onto the Cart frame before moving the Cart.
2. After unloading bed contents; inspect the area under the bed and around the Cart frame area, remove any obstructions.
3. With two hands, rotate the bed to center on the Cart.
4. With two hands, grip the top edge of the bed and with constant downward force, push the bed down until it latches to tow-bar.

Maintenance:

- Check and lubricate wheel hubs as needed. Grease fittings are located on each wheel hub.
- If rust becomes apparent, sand lightly and touch-up with enamel paint.
- Check all welds. If a cracked weld is found, do not operate the Cart until the damage is repaired by qualified personnel.
- Check and tighten any loose bolts.
- Check tire pressure regularly. Proper inflation prolongs tire life. Refer to the tire sidewall for manufacturer's inflation recommendation. PSI recommend is 22lbs to 28lbs.

Repair Parts

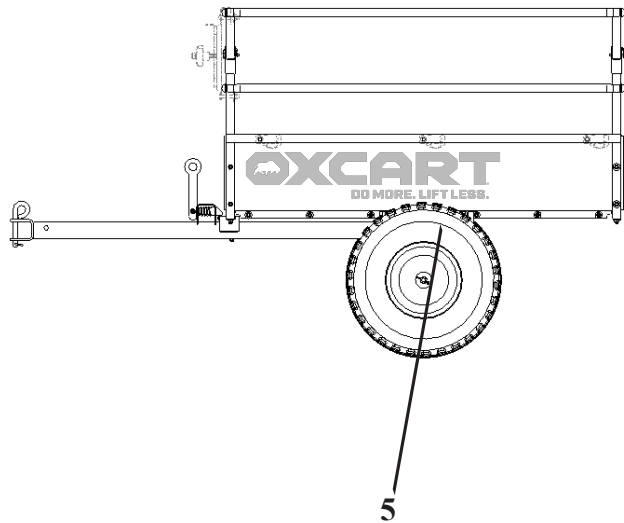
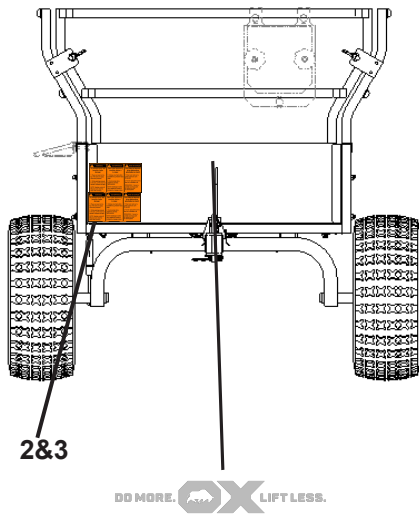
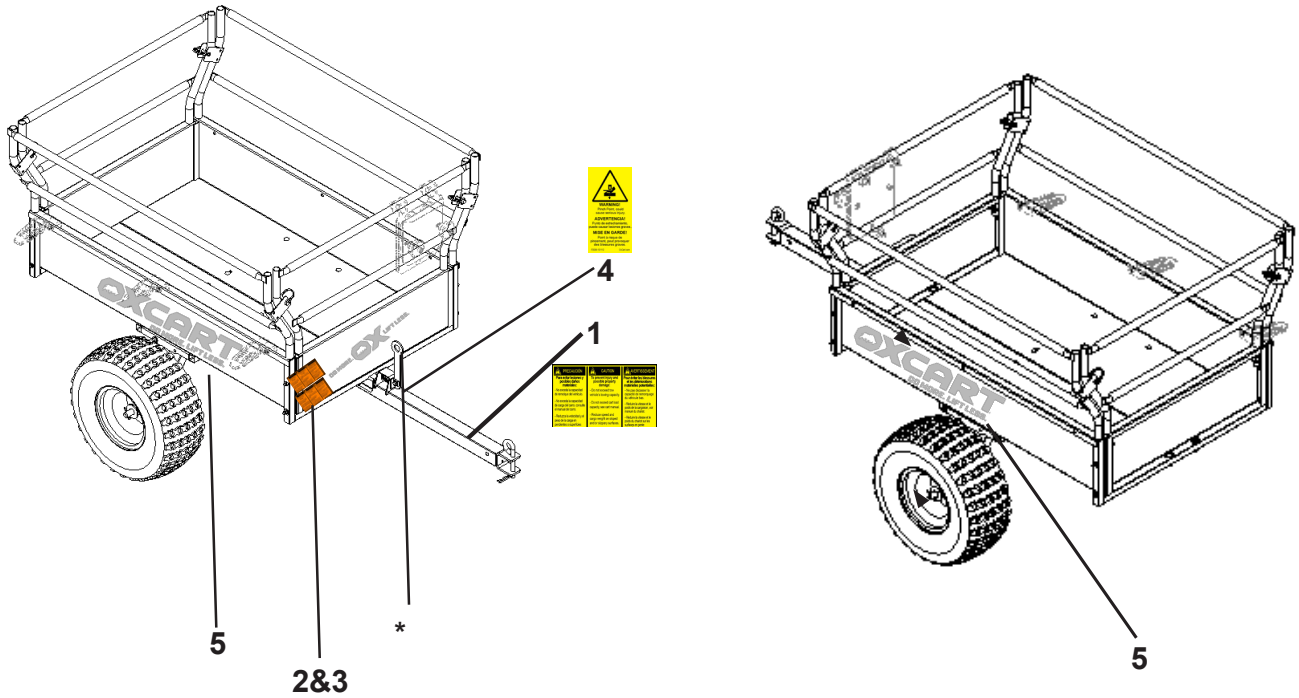


ITEM	PART NUMBER	DESCRIPTION
20	GTM4002	Bed Side Panel
21	GTM4004	U-Frame Tailgate Assembly
22	GTM4010	Slide Bracket
23	GTM4005	Bottom Frame Assembly
24	GTM4007	U-Frame Assembly With Bracket
25	GTM4003	Front/Back Panel
26	GTM4025	Front/Back Rail Assembly
27	GTM4040	Axle Tube Support Assembly
28	GTM4041	Tow Bar Assembly

ITEM	PART NUMBER	DESCRIPTION
29	GTM798307	Hydraulic Lift Assist Strut (*Optional*)
30	GTM4047	Wheel Assembly
31	GTM4020	Side Rail Assembly
32	GTM2052	Handle Latch
33	GTM2045	Spring, Latch
34	GTM2051	Latch
35	GTM2071	Bed Bumper
1	GTM4060	Hardware Package

To order replacement parts contact us at info@oxcart.com or call 844-269-2278

Safety & Warning Placard Diagram



ITEM	PART NUMBER	DESCRIPTION	QTY
1	P2000-123	CAUTION - Tow Warning	1
2	P2000-456	WARNING - Bed Warning	1
3	P2000-789	WARNING - Dump Instruction	1
4	P2000-101112	WARNING - Pinch Warning	1
5	P2000-9	DECAL - OxCart, Left and Right Side	2
6	P2000-OC	DECAL - OxCart, Front	1

NOTICE
 Replace any missing or damaged
 warning placards by calling
 1-844-269-2278

OxCart One Year Warranty

For ONE YEAR from the date of sale, this product is warranted against defects in material or workmanship when it is operated and maintained according to all supplied instructions.

This warranty does not cover tires, wheels or paint loss, which are expendable parts or finishes that can wear from normal use within the warranty period.

This warranty does not apply to a product that is damaged or altered through misuse, abuse, corrosion, accident, modification or mishandling.

This warranty is void if this product is used for providing commercial services or if used as rented/leased equipment.

With PROOF OF SALE, a defective part will be replaced free of charge.

Warranty provisions for this cart are handled through the retailer or OxCart. To register your cart for warranty, all information below must be complete and mailed with a copy of your purchase receipt to the address below within thirty (30) days of purchase.

-----Cut along line and mail to the address below-----

Please take a moment to complete your warranty registration, include a copy of your purchase receipt and mail to:

OxCart Products, P.O. Box 782167, Wichita, KS 67278

Name: _____

Email: _____ **Address:** _____

City: _____ **State:** _____ **Zip:** _____ **Phone(____)** _____

Purchase Date: _____ **Model Number:** _____ **Retailer Name:** _____

Thank you very much for your business!

Or e-mail a copy of your purchase receipt and the information above to warranty@oxcart.com. You may also register your warranty at oxcart.com.