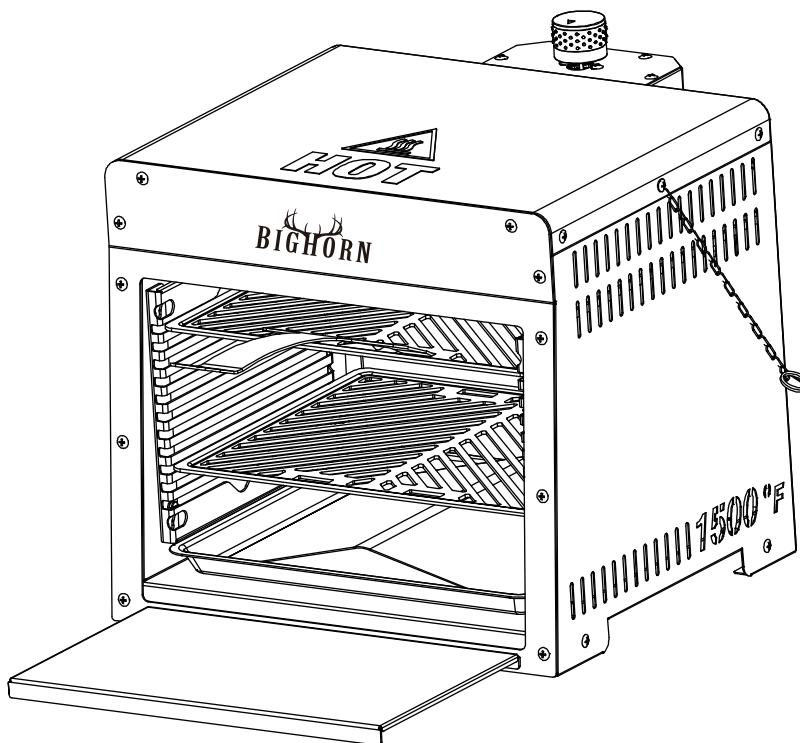


Assembly Instructions & User's Manual

Infra-red Gas Grill

Model# SRGG21708



Keep this manual for future reference

⚠ Warning:

READ INSTRUCTION MANUAL BEFORE ATTEMPTING TO ASSEMBLE OR OPERATE THIS PRODUCT.

Adult assembly required.

Keep screws and parts out of reach of children.

E-mail: cs@shinerichgroup.com.

(Made in China)

BIGHORN[®]

WARNINGS

SAFETY SYMBOLS:

When using this appliance, basic safety precautions should always be observed. Read and understand the meaning of these symbols before assembling and using this appliance.

DANGER

Indicates a hazardous situation, which if not avoided, will result in death or serious injury.

WARNING

Be alert to the possibility of serious personal injury if the instructions are not followed.

CAUTION

Indicates a potentially hazardous situation, which if not avoided, could result in moderate injury.

CAUTION

This instruction manual contains important information necessary for the proper assembly and safe use of the appliance. Read and follow all warnings and instructions before assembling and using the appliance. Follow all warnings and instructions when using the appliance.

DANGER

- NEVER operate this appliance unattended.
- NEVER operate this appliance within 3 ft (1.0 m) of any structure, combustible material or other gas cylinder.
- NEVER operate this appliance within 25 ft (7.5 m) of any flammable liquid.
- If a fire should occur, keep away from the appliance and immediately call your fire department. Do not attempt to extinguish an oil or a grease fire with water.

Failure to follow these instructions could result in fire, explosion or burn hazard which could cause property damage, personal injury or death.

DANGER

If you smell gas:

- Shut off gas to the appliance.
- Extinguish any open flame.
- If odor continues, keep away from the appliance and immediately call your fire department. Failure to follow these instructions could result in fire or explosion which could cause property damage, personal injury or death.

TABLE OF CONTENTS

Warnings.....	2, 4-9
Product Dimension.....	10
Exploded View.....	11
Parts List.....	12-13
Assembly Instructions.....	14-15
Care and Maintenance.....	16-17
Trouble Shooting.....	18
Warranty Information.....	18

NOTE: Before beginning assembly of product, make sure all parts are present.
Compare parts with package content list and hardware contents.
If any part is missing or damaged do not attempt to assemble the unit.
Contact customer service for replacement parts.

WARNINGS

SAVE THESE INSTRUCTIONS

Read and understand all instructions before assembling and using this appliance. Follow all warnings while using this appliance. Failure to follow these instructions could result in fire or explosion causing damage to property, injury or death.

⚠ DANGER

If you smell gas: If possible, immediately turn off gas supply to the appliance by turning the LP tank valve clockwise (right). If this cannot be accomplished safely, immediately get away from the appliance and contact the fire department (e.g. 911). Extinguish any open flame, use an approved fire extinguisher (Always have an approved extinguisher on hand when using this product. A Class "B" dry chemical OR CO2 extinguisher or preferably a Class "K" extinguisher. Special care must be taken to understand the manufacturers instructions and be prepared to operate the appropriate extinguisher prior to using this appliance.) If you continue to smell gas, immediately contact the fire department (e.g. 911) and do not go near the appliance.

Equipped for use on: Propane. Rated Heat Input: 19000 BTU/H

Certified under ANSI 21.89 - CSA 1.18 -2017 Outdoor Cooking Specialty Gas Appliance

⚠WARNING: FOR OUTDOOR USE ONLY. If stored indoors, detach and leave cylinder outdoors. This appliance must be at least ten (3') feet (1m) from any wall, railing or other object.

The appliance shall not be located or used under overhead unprotected combustible construction.

⚠WARNING: This appliance comes with a supplied CSA approved regulator which must be used with this appliance. Replace only with regulator Model No. JY70-011 or RY0952C.

⚠CAUTION: The instruction manual contains important information necessary for the proper assembly and safe use of the appliance. Read and follow all warnings and instructions before assembling and using the appliance. Follow all warnings and instructions when using the appliance. If instructions or parts are missing contact customer service.

This appliance is not designed nor intended for commercial use.

⚠ DANGER

Failure to follow these instructions and warnings could result in fire, explosion or burn hazard that could cause property damage, personal injury or even death. Using an LP appliance has a degree of risk that you are assuming. Properly following these instructions and warnings will help minimize that risk.

- DO NOT USE ON SURFACES such as wood, asphalt or plastic. These surfaces are combustible and may melt or catch fire.
- Allow the cooking vessel to cool to 115°F (45°C) before moving or storing.

WARNINGS

- DO NOT move the appliance when in use.
- This appliance will be hot during and after use. Use insulated oven mitts or gloves to protect from hot surfaces or splatter from cooking liquids. Closed toed shoes should always be worn during operation of this appliance.
- Keep children and pets away from the cooking appliance at all times.
- The use of alcohol, prescription drugs or non-prescription drugs may impair the consumer's ability to properly assemble or safely operate the appliance. Do not operate when under the influence.
- The minimum outside operating temperature of this appliance is 32°F (0°C). NEVER use this appliance when temperature is below this minimum.
- Take CAUTION when in close proximity to appliance. Falling or tripping near the gas appliance may result in the splashing or igniting of hot cooking liquids and potentially cause personal injury or property damage.
- This appliance is NOT intended for commercial use.
- The installation must conform with local codes or, in the absence of local codes, with the National Fuel Gas Code, ANSI Z223.1/NFPA 54, Storage and Handling of Liquefied Petroleum Gases, ANSI/NFPA 58; or Natural Gas and Propane Installation Code, CSA B149.1; Propane Storage and Handling, CSA B149.2.
- NEVER operate this appliance ON or UNDER any overhead roof covering, awning, overhang, apartment, condominium, balcony or deck.
- NEVER operate this appliance indoors or any enclosed area. This appliance should ONLY be used outdoors. The appliance shall not be used in a building, garage or any other enclosed area.
- NEVER install or use this appliance on a boat or other recreational vehicles.
- This product is NOT designed to be used as a heater. NEVER use this appliance as a source of heat.
- When cooking, the appliance must always be on a level, stable, non-combustible surface such as brick, concrete, or dirt. NEVER use this appliance around surfaces such as asphalt, wood, dry grass or leaves, vinyl or plastic.
- Keep the cooking area clear of debris and free of anything flammable or combustible.
- Keep the fuel supply hose away from any heated surfaces.
- Use caution when removing food from the appliance to avoid burns or serious injury.
- NEVER attempt to attach this appliance to the self-contained LP gas system of a camper, trailer or motor home. The pressure regulator and hose assembly supplied with the appliance MUST BE THE ONE USED. Replacement pressure regulator and hose assemblies must be those supplied by the manufacturer.

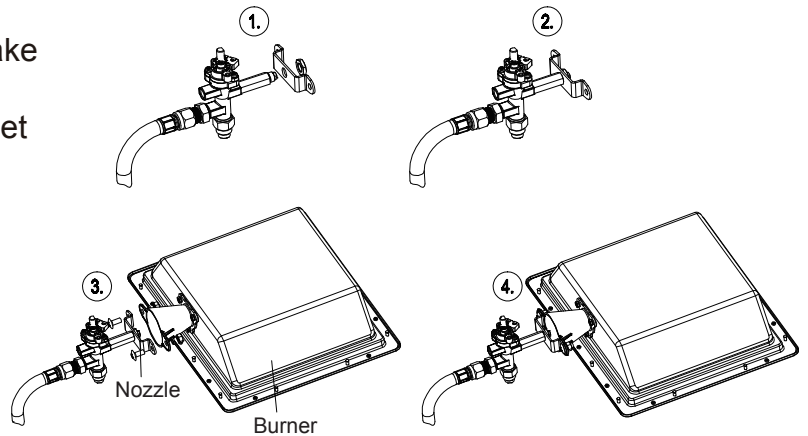
WARNINGS

- Avoid bumping of or impact with the appliance to prevent spillage or splashing of hot cooking liquid.
- Check and clean burner/venturi tubes for insects and insect nests. A clogged tube can lead to a fire beneath the appliance.
- Be sure nothing is obstructing the flow of combustion or air ventilation.
- Maintain proper clearances from combustible construction, the minimum clearance shall be at least 3 ft (1 m) from any structure or combustible material.
- Do not leave the appliance unattended. Keep children and pets away from the appliance at all times.

⚠ WARNING: This product can expose you to chemicals including lead, which is known to the State of California to cause cancer, and carbon monoxide, which is known to the State of California to cause birth defects or other reproductive harm. For more information, go to www.P65Warnings.ca.gov.

Manufacturer already properly located the burner with respect to the orifice. It will make the appliance burn sufficiently. Please do not attempt to adjust the burner. It is pre-set to the factory specifications.

The burner will be removed to clean after using a period. When reassemble the burner, align the center line of thread on the safety valve to the center line of burner, then tighten the burner. Whether the center line of the orifice is aligned with the center line of the burner will directly affect the burner combustion effect.



WARNINGS: LP TANK

⚠ DANGER

Indicates a hazardous situation, which if not avoided, will result in death or serious injury.

1. Do not store a spare LP gas cylinder under or near this appliance.
2. NEVER fill the cylinder beyond 80 percent full.
3. If the instructions in 1 and 2 are not followed exactly, a fire causing death or serious injury may occur.
4. The safety release valve on the LP tank could activate the leaking of gas and cause a severe fire and increase the risk of serious injury or death.
5. If you smell, see or hear leaking gas IMMEDIATELY get away from the LP tank and contact your FIRE DEPARTMENT.

LP TANK REMOVAL, TRANSPORT AND STORAGE:

1. Turn control knobs OFF and LP tank valve. Turn coupling nut counterclockwise by hand only. NEVER use tools to disconnect.
2. Place dust cap on cylinder valve outlet whenever the cylinder is not in use. Only install the type of dust cap on the cylinder valve outlet that is provided with the cylinder valve. Other types of caps or plugs may result in leakage of propane.
3. A disconnected LP tank in storage or being transported must have a safety cap installed. NEVER leave an LP tank in a car that can become overheated by the sun.
4. The cylinder must be stored outdoors out of the reach of children. NEVER store the cylinder in enclosed spaces such as a garage, carport, covered porch or any other structure.
5. When the appliance is not in use, the gas must be turned off at the supply cylinder.
6. Storage of an appliance indoors is permissible only if the cylinder is disconnected and removed from the appliance.

LP TANK:

The LP tank must meet the following requirements in order to be used with your appliance:

- Measurements must be 12" (30.5cm) in diameter by 18" (45.7cm) high with 20lb. (9.1kg) maximum capacity.
- The LP gas supply cylinder must be constructed and marked in accordance with the specifications for LP gas cylinders of the US Department of Transportation (DOT) or the National Standard of Canada (CAN/CSA-B339), Cylinders, Spheres and Tubes for the Transportation of Dangerous Goods.

The LP tank must include the following:

- QCC Type 1 outlet compatible with regulator or appliance.
- Safety relief valve.
- UL listed Overfill Protection Device (OPD). This safety device is identified as the triangular hand wheel. Only use tanks equipped with this type of valve.
- LP tank must be arranged for vapor withdrawal and include collar that protects LP tank valve.

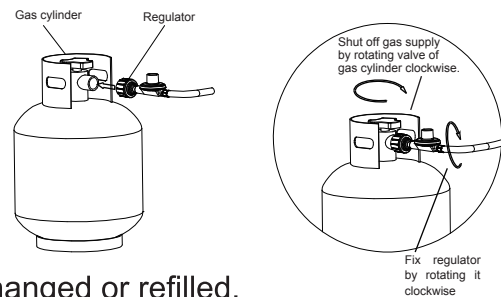
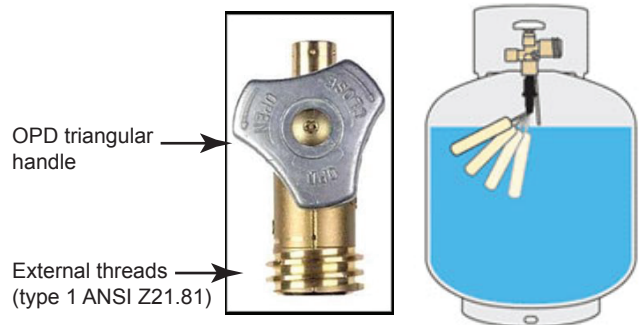
Liquefied Petroleum Gas (LP):

- LP gas is odorless, non-toxic, and colorless when produced. For your safety, LP gas has been given an odor (similar to rotten eggs) so you can smell if there is any leaking.
- LP gas is highly flammable and can unexpectedly ignite when combined with the air.

WARNINGS: LP TANK

CONNECTING REGULATOR TO LP TANK:

1. Make sure cylinder valve is turned OFF (turning clockwise).
2. Check cylinder valve to ensure it has proper external male threads as illustration (type 1 ANSI Z21.81).
3. Make sure all burner valves are in the OFF positions.
4. Inspect valve connections, port and regulator assembly. Look for any damage or debris. Remove any debris. Inspect hose for damage. Never attempt to use damaged or obstructed equipment. See your local LP gas dealer for repair.
5. When connecting hose regulator assembly to the cylinder valve, do so manually, do not use a tool. Tighten firmly clockwise by hand only. The use of a tool will damage the seal and cause a serious risk of gas leak.
6. SLOWLY - Open the cylinder valve fully. Proceed to a leak test (see LEAK TESTING section).

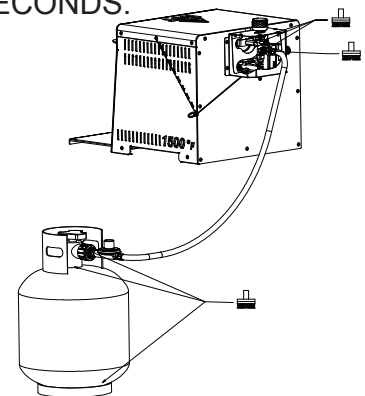


LEAK TESTING VALVES, HOSE AND REGULATOR

- Leak test must be repeated each time LP tank is exchanged or refilled.
- DO NOT smoke or have anything nearby that can easily ignite, such as lighters or matches.
- DO NOT use an open flame to check for gas leaks.
- Appliance must be leak checked outdoors in a well-ventilated area away from open flames or sparks.

STEPS TO LEAK TEST:

1. Use a clean paint brush and 50/50 soap and water solution.
NOTE: Use a mild soap and water. DO NOT use household cleaning agents. Damage to gas train components could result.
2. Brush soapy solution onto all metal seams and entire valve area. Slowly turn the LP tank valve counterclockwise to the open position. At the first sign of bubbles around the tank connection, immediately turn the valve off by turning clockwise. After 10 seconds, turn the LP tank to the off position and continue to watch for any bubbles. UNDER NO CIRCUMSTANCE SHOULD THE VALVE REMAIN IN THE ON POSITION FOR MORE THAN 12 SECONDS.
3. If bubbles are observed at the valve attachment, you may attempt to tighten the valve, and repeat the test from the beginning after waiting 5 minutes.
4. Brush soapy solution onto indicated connections as shown.
5. If "growing" bubbles appear, there is a leak. Close LP tank valve immediately and retighten connections. If leaks cannot be stopped, do not try to repair. Call for replacement parts.
6. For assistance with any malfunction related to the LP tank, regulator or hose, contact your propane dealer or customer service.



⚠ WARNING

If growing bubbles begin to appear there is a leak. IMMEDIATELY turn off LP tank valve. If bubbles continue, IMMEDIATELY get away from the LP tank and contact your FIRE DEPARTMENT (e.g. 911)

WARNINGS: LP TANK

REGULATOR HOSE ASSEMBLY CHECK:

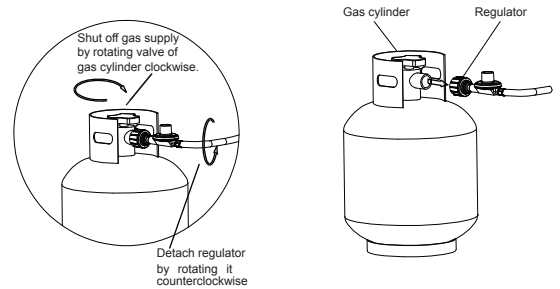
⚠ WARNING

Before each use, check to see if there is evidence of abrasion, wear, cuts or leaks on the hose. If damage is evident, the hose must be replaced prior to appliance use.

DISCONNECTING REGULATOR FROM THE LP TANK:

1. Turn control knob to the OFF position.
2. Turn the cylinder valve off fully (turn clockwise to stop).
Detach the regulator assembly from the cylinder valve by turning the quick coupling nut counterclockwise.

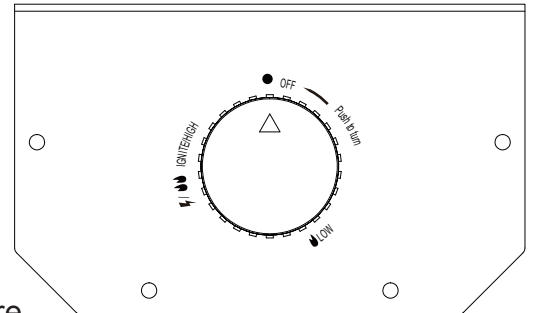
NOTE: Loosen by hand only. DO NOT use tools.



OPERATING INSTRUCTIONS

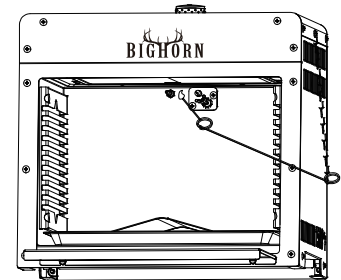
INSTRUCTIONS FOR LIGHTING BURNER:

1. Read all instructions before lighting.
2. Make sure control knob is in the "OFF" position.
3. Turn LPG cylinder gas valve to fully open position.
4. Press down control knob and turn it counter-clockwise to "IGNITE/HIGH" position.
5. If the burner is lit, keep pressing down the control knob for 15 seconds before releasing it.
6. If ignition does not occur in 5 seconds, turn the burner control(s) OFF, wait 5 minutes, and repeat the lighting procedure.
7. When burner is lit, press down the control knob and turn it to desired heat output position between "LOW" and "IGNITE/HIGH".



MANUAL LIGHTING:

1. Make sure control knob is in the OFF position.
2. Turn LPG cylinder gas valve to fully open position.
3. Remove the grill handle and cooking grid. Insert a match into the match lighter, strike the match and allow flame to be placed directly below the burner. Push and turn the control knob counter-clockwise to IGNITE/HIGH position.
4. If the burner is lit, keep pressing down the control knob for 15 seconds before releasing it.
5. If ignition does not occur in 5 seconds, turn the burner control(s) OFF, wait 5 minutes, and repeat the lighting procedure.
6. When burner is lit, press down the control knob and turn it to desired heat output position between "LOW" and "IGNITE/HIGH"
7. Place the cooking grid back onto the grill body.



SHUT DOWN INSTRUCTIONS

1. Push and turn control knob clockwise to OFF position.
2. Turn LP cylinder gas valve clockwise to OFF position when the appliance is not in use.

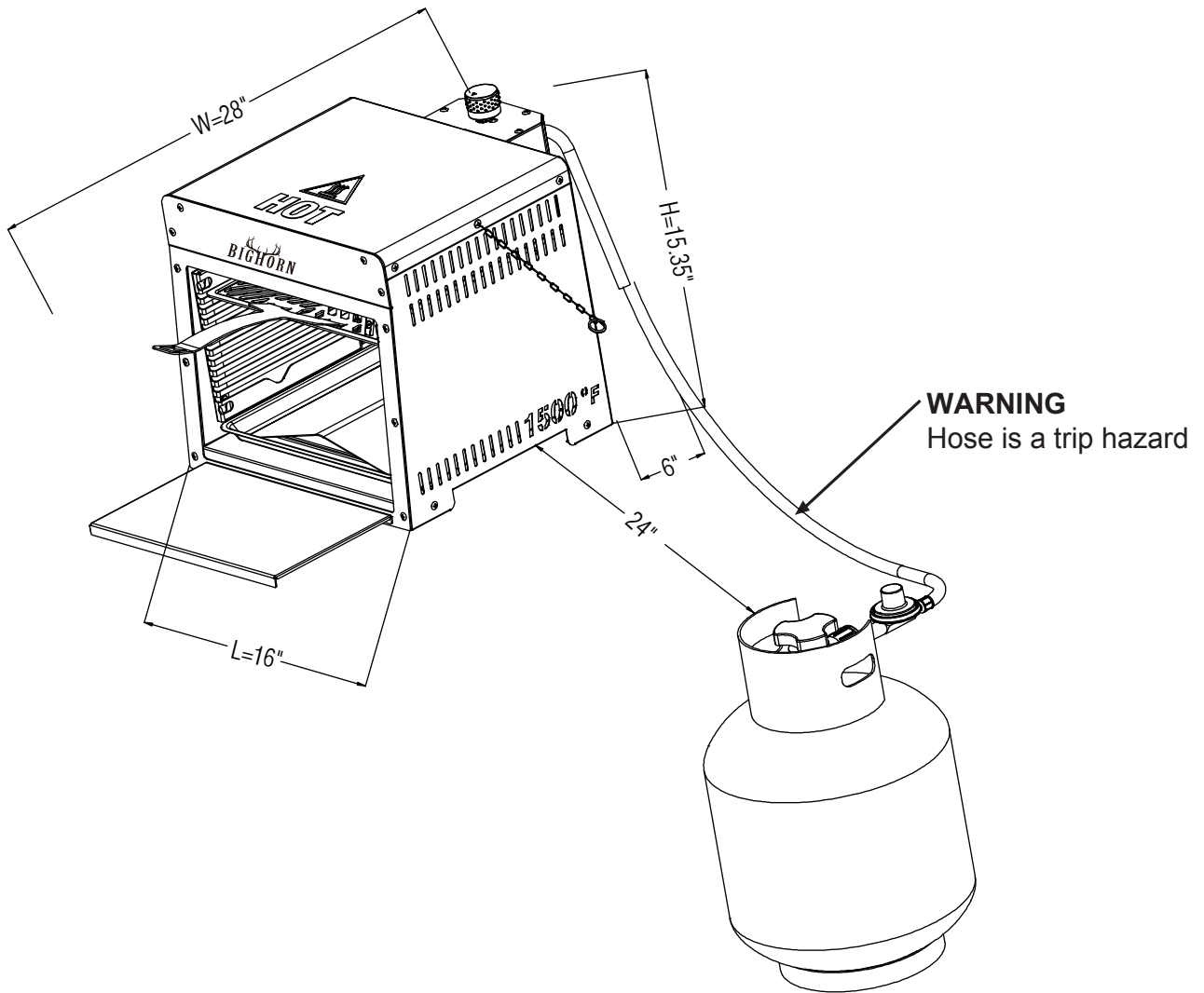
WHEN THE BURNER FLAME IS ACCIDENTALLY EXTINGUISHED

1. Close the LP tank valve.
2. Push and turn control knob clockwise to OFF position.
3. Inspect if the hose etc. connections are good, wait 5 minutes. After waiting 5 minutes, re-start the appliance following the lighting instructions.

⚠ DANGER

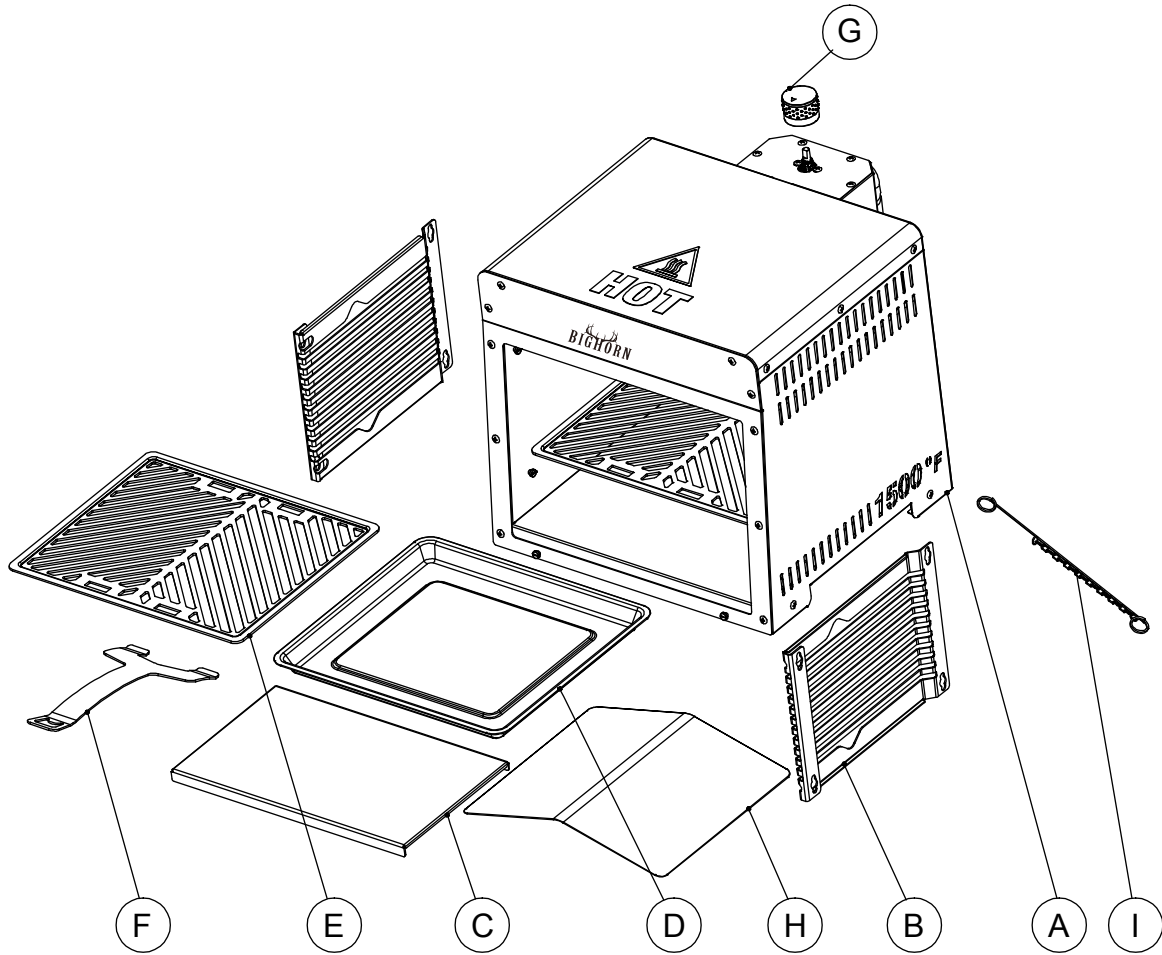
NEVER allow this appliance to operate unattended. Failure to follow this Danger Statement could result in fire, explosion or burn hazard that could cause property damage, personal injury or even death. If a fire should occur, keep away from the appliance, move everyone to safety and immediately contact the fire department and emergency personal (e.g 911). ALWAYS have an appropriately rated fire extinguisher on hand when using this product. A Class "B" dry chemical OR CO2 extinguisher or preferably a Class "K" extinguisher. Special care must be taken to understand the manufacturers instructions and be prepared to operate the appropriate extinguisher prior to using this appliance.

PRODUCT DIMENSION



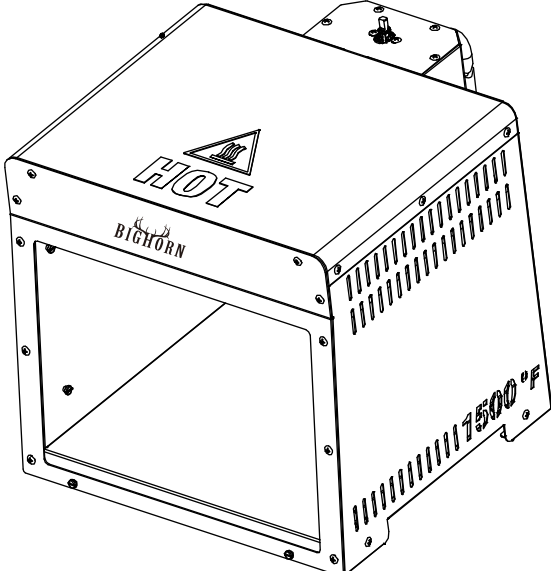
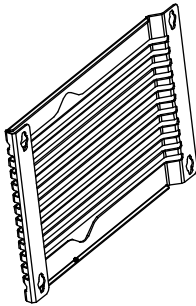
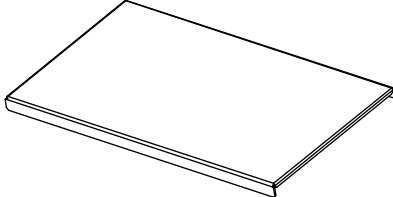
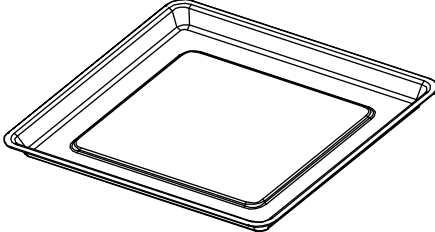
Model	Dimension		
	Length	Width	Height
SRGG21708	16"	28"	15.35"

EXPLODED VIEW

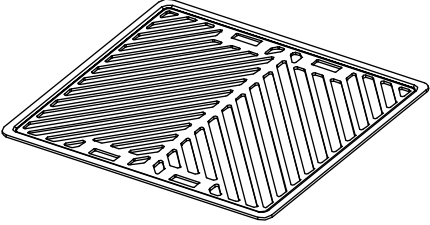
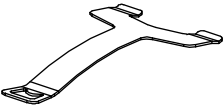

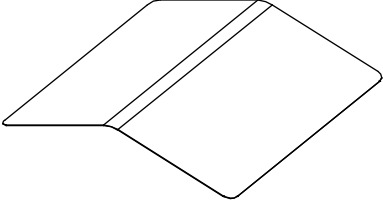
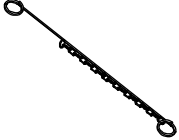


PARTS LIST

NOTE: Wash all parts that will come in contact with food or water with warm soapy water, rinse and towel dry.

Part #	Description	Image	Qty
A	Grill Body		1
B	Grill Support		2
C	Front Table		1
D	Grease Tray		1

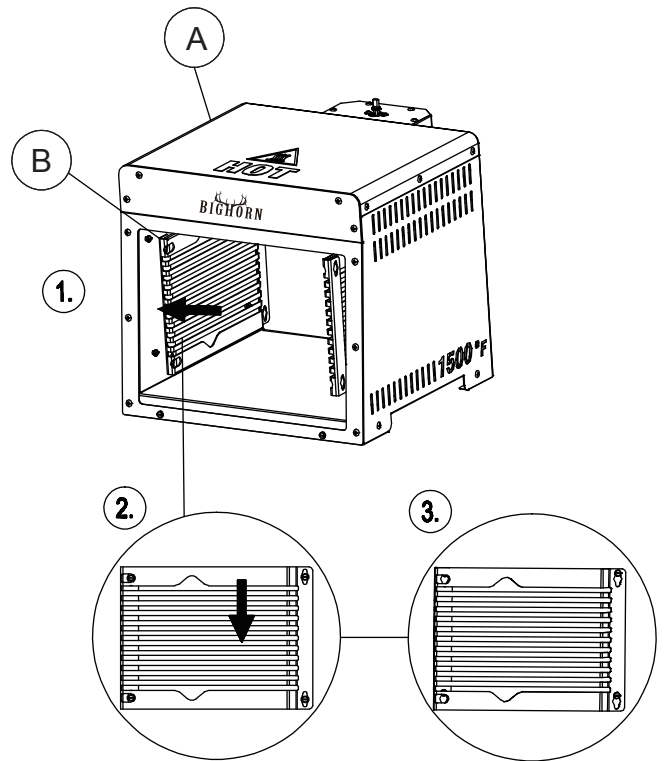
PARTS LIST

Part #	Description	Image	Qty
E	Cooking Grid		2
F	Grill Handle		1
G	Control Knob		1
H	Heat Shield		1
I	Match Lighter		1

ASSEMBLY INSTRUCTIONS

STEP 1

Attach one grill support (B) to one inner side of grill body (A), and repeat the step with the other grill support (B) to the other side of grill body (A).

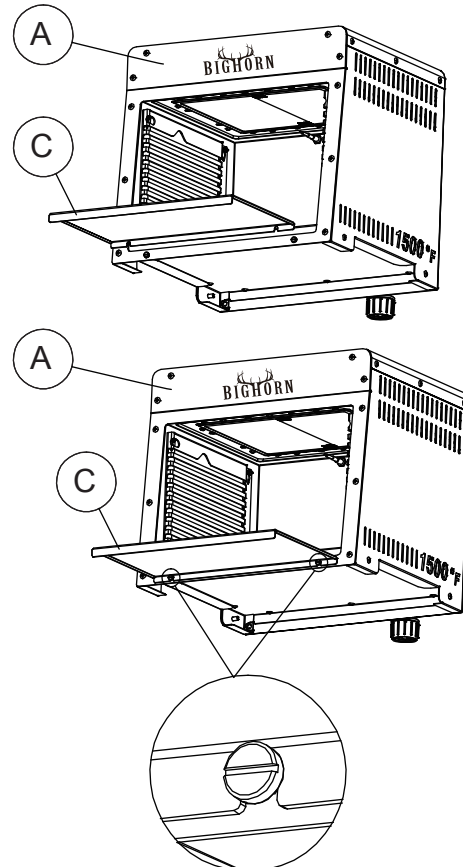


STEP 2

Attach front table (C) to grill body (A).

⚠ ATTENTION:

Front table (C) is set to prevent grill from overheating. Once attached, do not remove it when using the grill. Failure to follow this will cause table in front of grill overheat which will result in damage to the table.



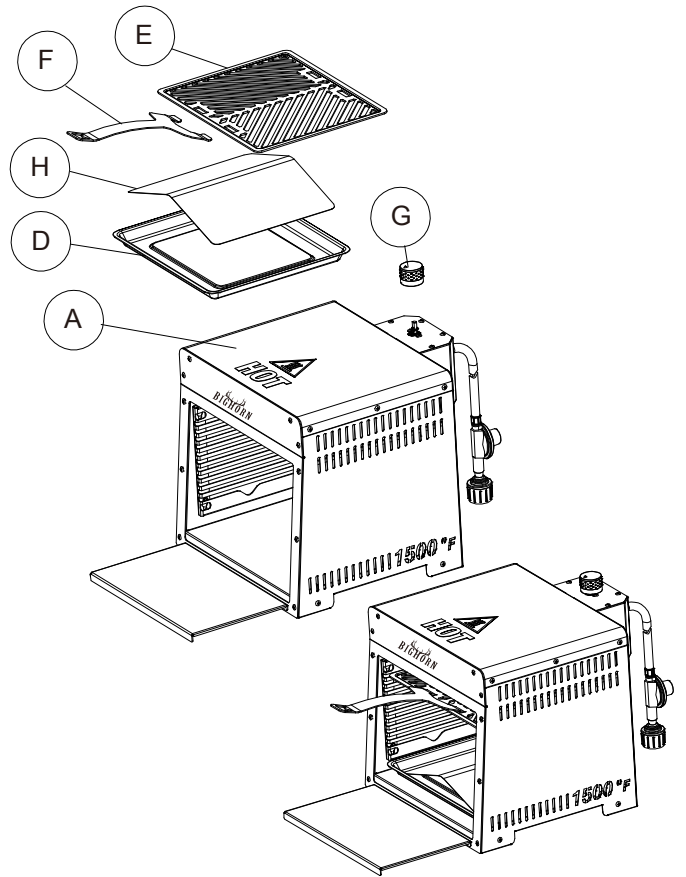
ASSEMBLY INSTRUCTIONS

STEP 3

Place grease tray (D) and heat shield (H) in grill body (A), then place cooking grid (E) on grill support (B) and insert grill handle (F) into cooking grid (E).

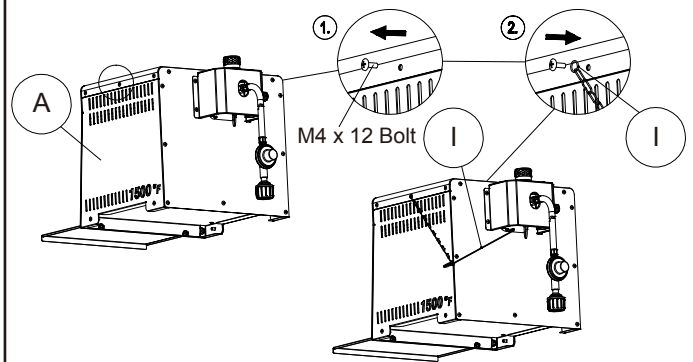
Attach control knob (G) to grill body (A).

Note: As grill handle (F) is a tool, it will be better to have it on hand for convenient use when cooking.



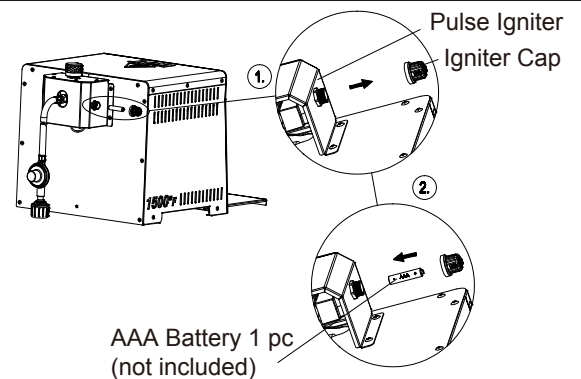
STEP 4

Unscrew a M4 x 12 bolt on grill body (A) as shown, and attach the match lighter (I) to the grill body (A) with the M4 x 12 bolt.



STEP 5

Turn and open the pulse igniter cap. Insert one AAA battery (not included) into the pulse igniter. Make sure the (+) end is facing you. Screw back on the pulse igniter cap.



STEP 6

Connect to LP tank.

Refer to instructions on PAGE 8 of Connect to LP tank. this guide.

CARE AND MAINTENANCE

HOW TO CLEAN:

CAUTION

Allow unit to fully cool (115°F or 45°C) before performing any cleaning.

Proper care and appliance maintenance will keep your product operating smoothly.

Keep appliance area clear and free from combustible materials, gasoline, and other flammable vapors and liquids.

Keep the ventilation opening(s) of the cylinder enclosure free and clear from debris.

NOT obstruct the flow of combustion and ventilation air.

BURNER FLAME CHECK

Check for proper burner flame characteristics.

Visually check the burner flames prior to each use.

There should be no obvious flames, and length of flames should not be more than 0.39 inch. If flames are not, call our customer service line.

CLEAN THOROUGHLY AFTER EVERY USE.

NOTE: Clean the entire appliance each year and tighten all hardware on a regular basis (1-2 times a year or more depending on amount of use).

1. Before cleaning turn off the appliance at the gas cylinder. Check that there is no flame, gas smell and the valves are in off position. Next, make sure unit is properly disconnected from propane tank prior to any cleaning.
2. Everything that was in contact with the food must be hand washed with warm soapy water and nylon pad. DO NOT spray oven cleaner on cooking grid to remove grease or soot. It will cause the finish to become dull. If food remains stuck to the cooking grid, add hot water and let it soak, after cooling, scrub with steel wool.
3. Confirm that all components are completely dry before using or placing in storage.
4. We recommend that the unit be thoroughly cleaned prior to every use.
5. Store all components in a dry location when not in use.

For replacement parts, please send an e-mail to cs@shinerichgroup.com.

SUGGESTED CLEANING MATERIALS:

- Hot water
- Mild dishwashing liquid detergent
- Soft, nylon cleaning pad

CARE AND MAINTENANCE

CLEANING BURNERS

BURNERS & VENTURI TUBES

KEEP VENTURI TUBES CLEAN.

INSECT WARNING !!

Your grill might still light but...

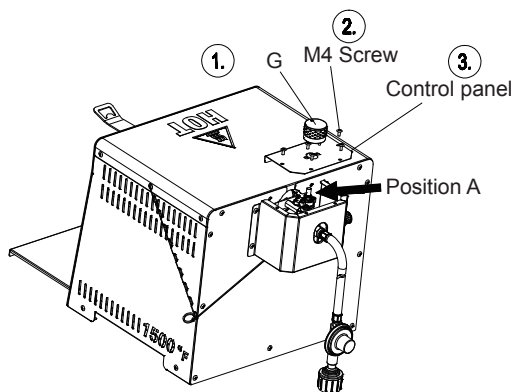
Spiders and insects can nest in the burners of this and any other grill, and cause the gas to flow improperly. Backed up gas might also ignite and cause a fire around the venturi tubes at the control panel. Inspect the grill twice a year and when first taking out in the spring.

If a flashback occurs, turn off gas at the source immediately.

As insects nest will result in insufficient gas, you must inspect and clean the venturi tubes of burner if flame is much longer than 0.39 inch.

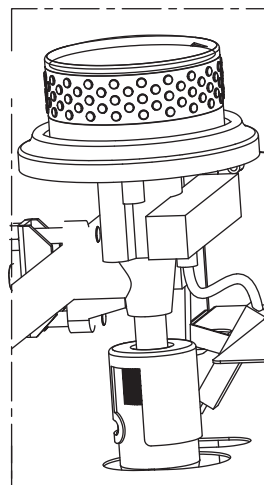
TO INSPECT AND CLEAN VENTURI TUBES

1. Make sure gas is turned off at cylinder.
2. Wait until grill is cool.
3. Unscrew the control knob, M4 screws and control panel as shown.
4. Observe through position A to check if there are any insect or insect net in venturi tube, if any, clean up with a hook.
5. Reattach control panel to grill body (A) with the M4 screws.
6. Reattach control knob (G) to control panel.



!! WARNING !!

When reinstalling a burner after cleaning, it is very important to make sure the valve orifice is inserted inside the burner tube before lighting the grill. If the valve orifice is not inside the burner tube, a fire or explosion may occur.



TROUBLESHOOTING

Problems	Possible causes	Solutions
Burners can't be lit by the existing ignition system	1/ LPG gas bottle is empty 2/ Faulty regulator 3/ Obstructions in gas pipe or hose 4/ Battery is not placed into the pulse igniter or battery is dead.	1/ Replace with full bottle 2/ Check or replace the regulator 3/ Clean gas pipe or hose 4/ Place battery into the pulse igniter or replace battery
Burners can't be lit by a match	1/ LPG gas bottle is empty 2/ Faulty regulator 3/ Obstructions in gas pipe or hose	1/ Replace with full bottle 2/ Check or replace the regulator 3/ Clean gas pipe or hose
Weak flame or backfire (Fire near the orifice)	1/ LPG gas bottle is too small 2/ Obstructions in gas pipe or hose 3/ Windy weather	1/ Use a bigger bottle 2/ Clean gas pipe or hose 3/ Place the appliance in a more protected place
Control knob is difficult to turn	1/ The gas valve is defective	Replace the gas valve

WARRANTY INFORMATION

The appliance has been manufactured under the highest standards of quality and workmanship. We warrant to the original consumer/purchaser that all aspects of this product will be free of defects in material and workmanship for one (1) year from the date of purchase. A replacement for any defective part will be supplied free of charge for installation by the consumer. Defects or damage caused by the use of other than genuine parts are not covered by this warranty. This warranty shall be effective from the date of purchase as shown in the purchaser's receipt.

This warranty is valid for the original consumer/purchaser only and excludes industrial, commercial or business use of the product, product damage due to shipment or failure which results from alteration, product abuse, or product misuse, whether performed by a contractor, service company, or consumer. We will not be responsible for labor charges and/or damage incurred in installation, repair or replacement, nor for incidental or consequential damage.

SHINERICH INDUSTRIAL LTD.
E-mail: cs@shinerichgroup.com.
Addr.:8/F, Noble Center, 1006 Fuzhong 3rd.Rd,
Futian District, Shenzhen, China