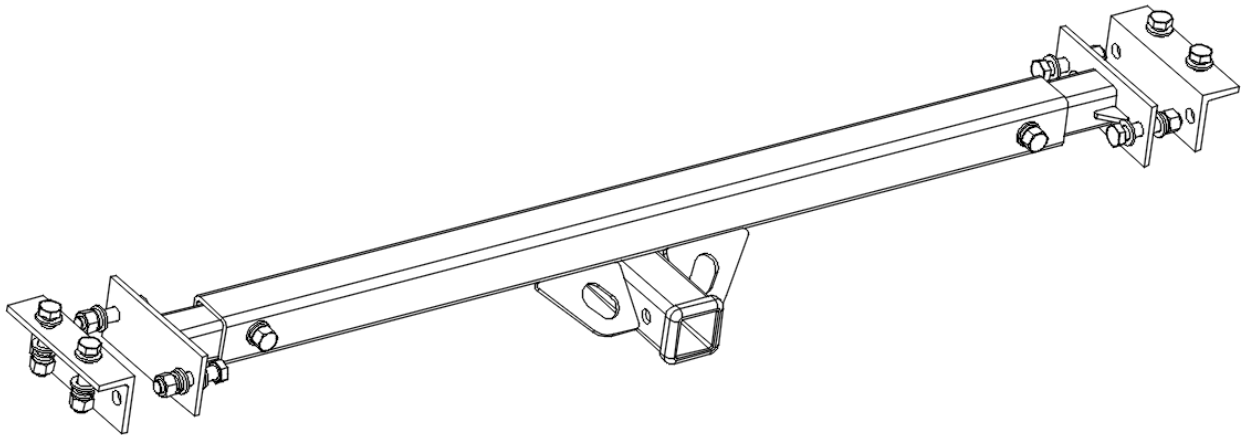


2" Universal RV Hitch Receiver

Model 10209036

Class I Hitch - Bolt-On

Class II Hitch - Weld-On

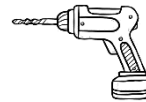


77" max. extension to flat wall frame, 80" max. extension to horizontal surface of "C" channel or "I" beam.

Assembly Recommended Tools (not provided)



Qty (2) 24mm Open Wrench or Adjustable Wrench



Hand Drill & 17mm bit

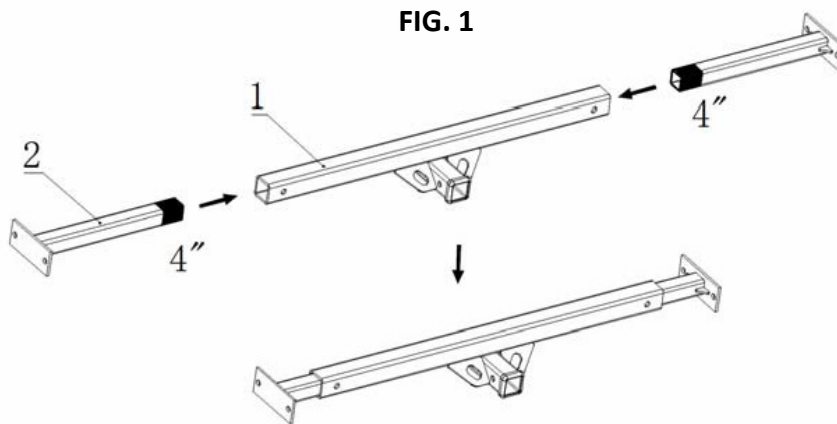
Always double check the position of the 2" receiver tube and its orientation to the RV's wall before deciding what method of attachment is best for you.

Hitch Receiver Assembly (For All Installation Methods)

Whether welding or bolting, all installation methods require you to place the Hitch Receiver (Item 1)

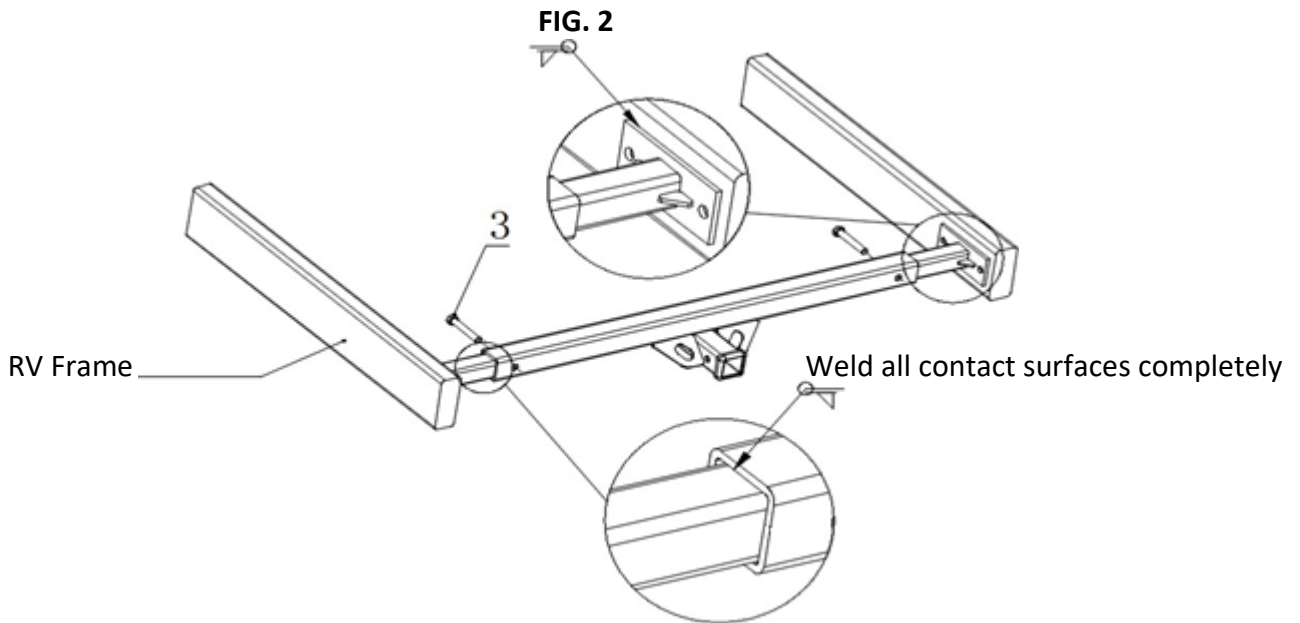
horizontally and insert the (2) Flat End Brackets (Item 2).

4" of each Flat End Bracket must remain in the Hitch Receiver horizontal tube at all times. See Fig. 1



**Following These WELDING Instructions Will Allow a Class II Hitch Rating
(Bolt-On Methods Outlined on the Following Page)**

1. Adjust the (2) Flat End Brackets to fit the RV frame and secure (pressure hold, no need to through-bolt) with (2) M16*100 Hex Head Bolts (Item 3) before welding. Be sure the (2) Flat End Brackets are equally extended from the Hitch Receiver horizontal tube, with a minimum of 4" of each Flat End Bracket tube remaining in the Hitch Receiver horizontal tube.
2. Weld the (2) Flat End Brackets to the RV frame and weld the (2) Flat End Brackets to the Hitch Receiver horizontal tube. Remove the M16*100 Hex Head Bolts after welding. See Fig. 2



ATTENTION - For the 10209036 to be considered a Class II hitch (tongue weight of 300/350 lbs), check your RV Owner's Manual - or with your RV Dealer or Manufacturer - to be sure the frame can handle this load. Further, a certified welder must be used to weld all surfaces.

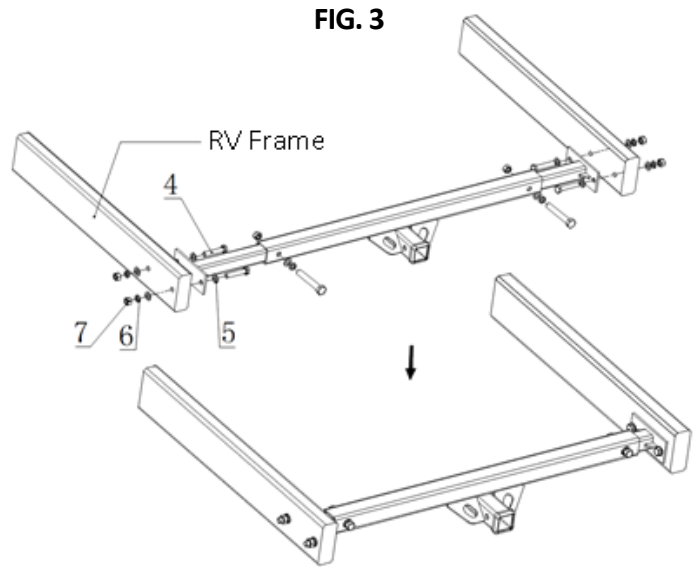
Following These BOLTING Instructions Will Allow a Class I Hitch Rating

Two bolt-on methods are listed below. Flush mount bolt-on method is designed for use on RVs with clear access to the frame and the ability to mount flush to the vertical surface of the framing. Hanging/top mount bolt-on method is designed for use on RVs with recessed frames where you can only mount to the horizontal

surface of the framing, or on applications where you need the full 80" extension. Determine which method you will be using and proceed as outlined under the appropriate method below. Regardless of method, be sure your Flat End Brackets and Hitch Receiver are assembled as previously outlined prior to proceeding.

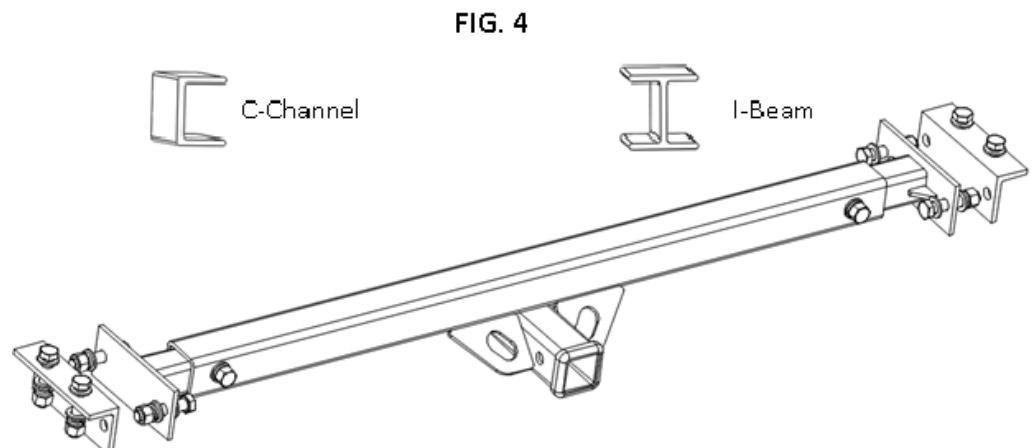
Flush Mount Bolt-On Steps

1. Adjust the (2) Flat End Brackets to fit your RV frame. Be sure they are equally extended from the Hitch Receiver horizontal tube, with a minimum of 4" of each bracket remaining in the Hitch Receiver horizontal tube. Mark the brackets at the Hitch Receiver horizontal tube's pre-drilled hole locations. Remove brackets from the Hitch Receiver horizontal tube and drill out the marked holes, using a 17mm bit.
2. Insert the brackets into the Hitch Receiver horizontal tube, aligning bolt holes and securing with (2) M16*100mm Hex Head Bolts (Item 3), (2) M16 Flat Washers (Item 5), (2) M16 Lock Washers (Item 6) and (2) M16 Lock Nuts (Item 7). When securing, insert hardware so bolt heads are on the hitch side of the Hitch Receiver horizontal tube, extending through the horizontal tubes and welded-on nut prior to threading the (2) M16 Lock Nuts.
3. Place the assembly (from step 2) against your RV frame. Mark your RV frame at the bracket's pre-drilled hole locations. Set your assembly aside and drill out the marked holes, using a 17mm bit.
4. Place your assembly back up against the RV frame, aligning bolt holes and securing using (4) M16*80 Hex Head Bolts (Item 4), (8) M16 Flat Washers, (4) M16 Lock Washers and (4) M16 Lock Nuts. See FIG. 3



Hanging/Top Mount Bolt-On Steps

1. Connect the (2) Angle Brackets (Item 8) to the (2) Flat End Brackets, using (4) M16*80 Hex Head Bolts (Item 4), (8) M16 Flat Washers (Item 5), (4) M16 Lock Washers (Item 6) and (4) M16 Lock Nuts (Item 7).
2. Adjust the assembly (from step 1) to fit the RV frame. Be sure the Flat End Brackets are equally extended from the Hitch Receiver horizontal tube, with a minimum of 4" of each Flat End Bracket remaining in the Hitch Receiver horizontal tube. Mark the Flat End Brackets at the Hitch Receiver horizontal tube's pre-drilled hole locations. Remove the Flat End Brackets from the Hitch Receiver horizontal tube and drill out the marked holes on the Hitch Receiver horizontal tube, using a 17mm bit.
3. Insert the Flat End Brackets into the Hitch Receiver horizontal tube, aligning bolt holes and securing with (2) M16*100mm Hex Head Bolts (Item 3), (2) M16 Flat Washers, (2) M16 Lock Washers and (2) M16 Lock Nuts. When securing, insert hardware so bolt heads are on the hitch side of the Hitch Receiver horizontal tube, extending through the horizontal tubes and welded-on nut prior to threading the (2) M16 Lock Nuts.
4. Place the assembly (from step 3) against your RV frame. Mark your RV frame at the pre-drilled hole locations on the Angle Brackets. Set your assembly aside and drill out the marked holes on your RV frame, using a 17mm bit.
5. Place the assembly back up against the RV frame, aligning bolt holes and securing using (4) M16*80 Hex Head Bolts, (8) M16 Flat Washers, (4) M16 Lock Washers and (4) M16 Lock Nuts. See FIG. 4



ATTENTION - For the 10209036 to be considered a Class I hitch (tongue weight of 200 lbs), check your RV Owner's Manual - or with your RV Dealer or Manufacturer - to be sure the frame can handle this load.

Carton Contents & Assembly Diagram

Item	Manufacturer Part #	Description	Quantity
1	7610-185	Hitch Receiver	1
2	7610-100	Flat End Bracket	2
3	FST-9801	M16*100 Hex Head Bolt	2
4	FST-9802	M16*80 Hex Head Bolt	8
5	FST-9803	M16 Flat Washer	18
6	FST-9804	M16 Lock Washer	10
7	FST-9805	M16 Lock Nut	10
8	7610-102	Angle Bracket	2

