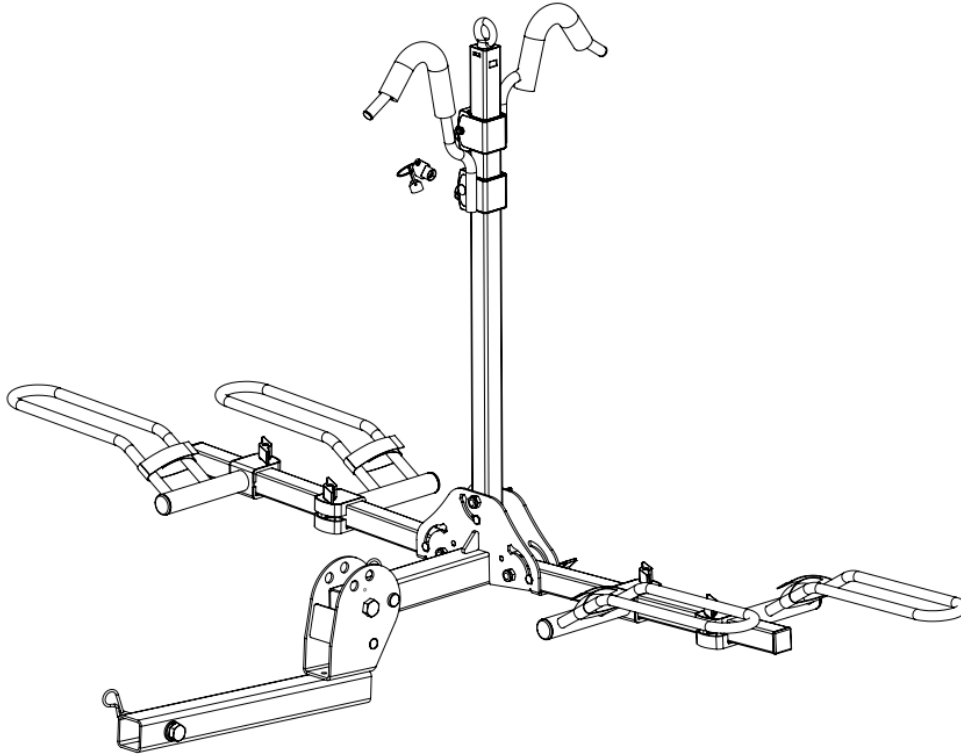


PLATFORM BIKE CARRIER

Model 10104058



MAXIMUM LOADING CAPACITY – 80 LBS

Recommended Tools for Assembly:



Open Wrench
(1pc)
Size=17mm

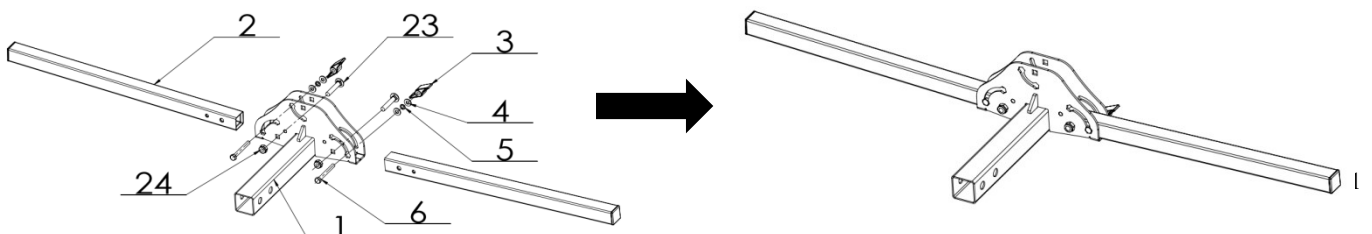


Open Wrench
(2pc)
Size=24mm

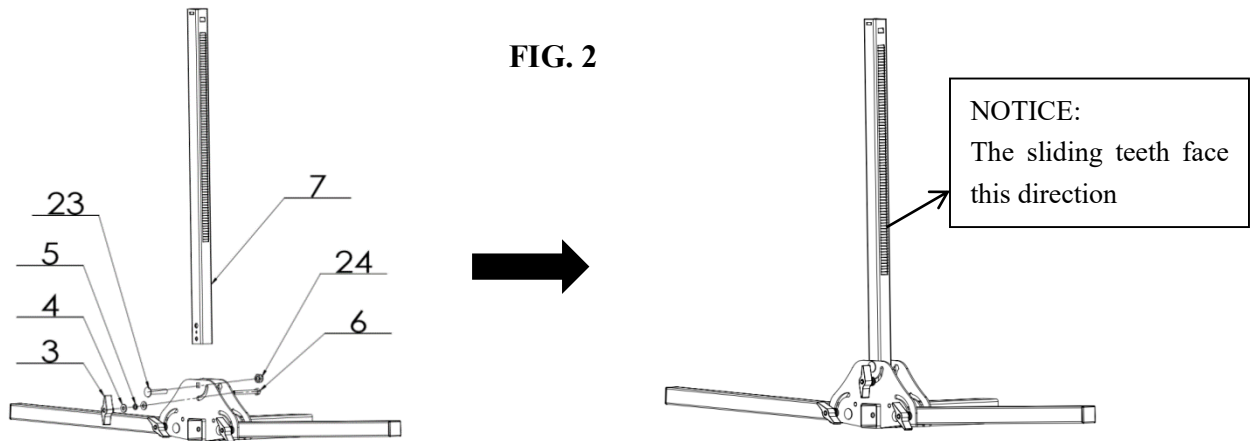
Assembly Instructions

STEP 1 Assemble the primary frame by connecting the Support Base Assembly (part #1) and (2) Horizontal Tubes (part #2) using (2) 5/16" knob, (4) 5/16" flat washer, (2) 5/16" spring washer, (2) 5/16" hexagon bolt, (2) M10 Carriage bolts and (2) M10 Locknuts (parts #3, #4, #5, #6, #23 & #24). See FIG. 1

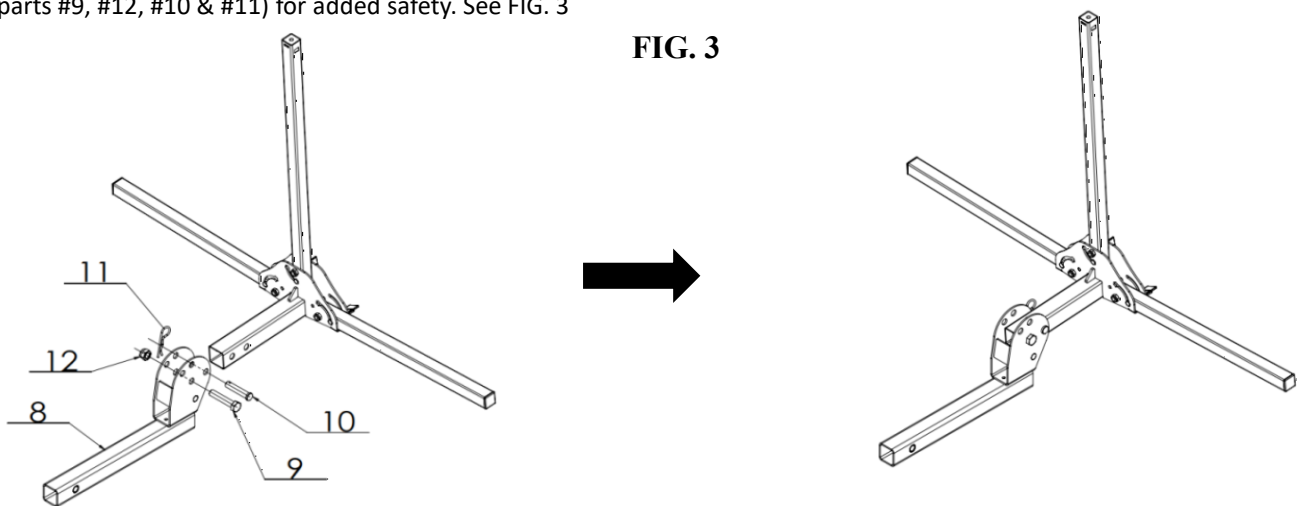
FIG. 1



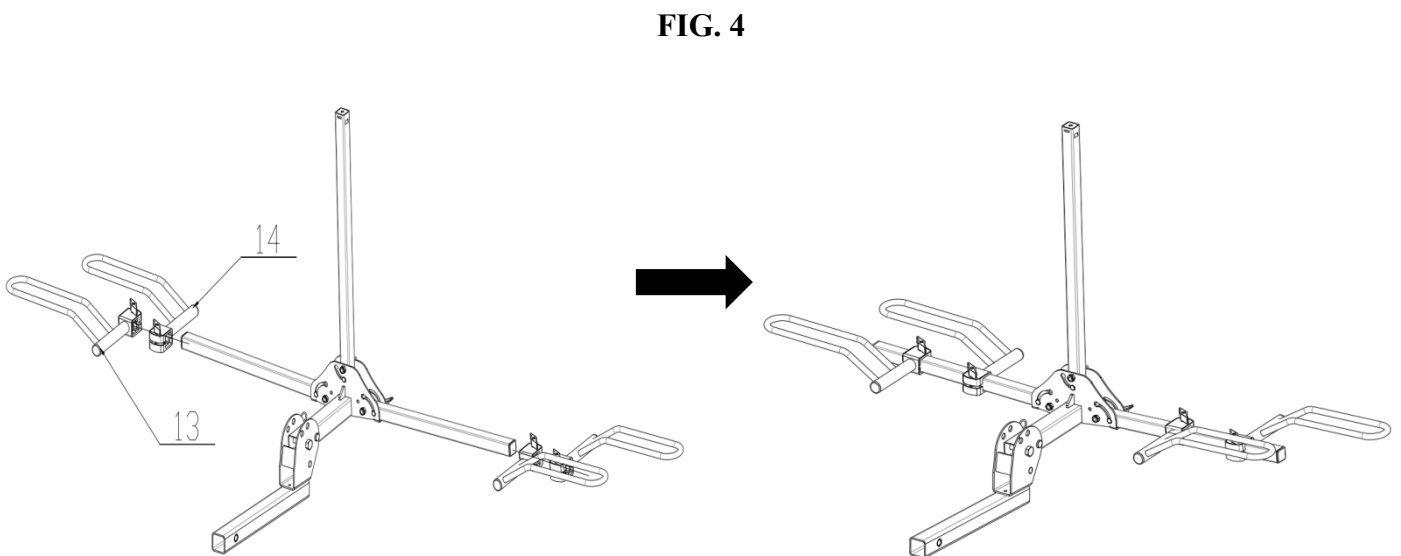
STEP 2 Place Vertical Tube (part #7) into the Support Base Assembly by using M10 Carriage Bolt and M10 Locknut (parts #23 & #24). With the Vertical Tube in a vertical position, insert the 5/16" hexagon bolt (part #6), through the 5/16" flat washer(part #4) ,the 5/16" spring washer(part #5) and the 5/16" flat washer(part #4) ,tighten with 5/16" knob (part #3) .See FIG. 2



STEP 3 Attach Folding Shank (part #8) to Support Base Assembly tube, using M16 Bolt, M16 Locknut, 5/8" pin and Clip (parts #9, #12, #10 & #11) for added safety. See FIG. 3



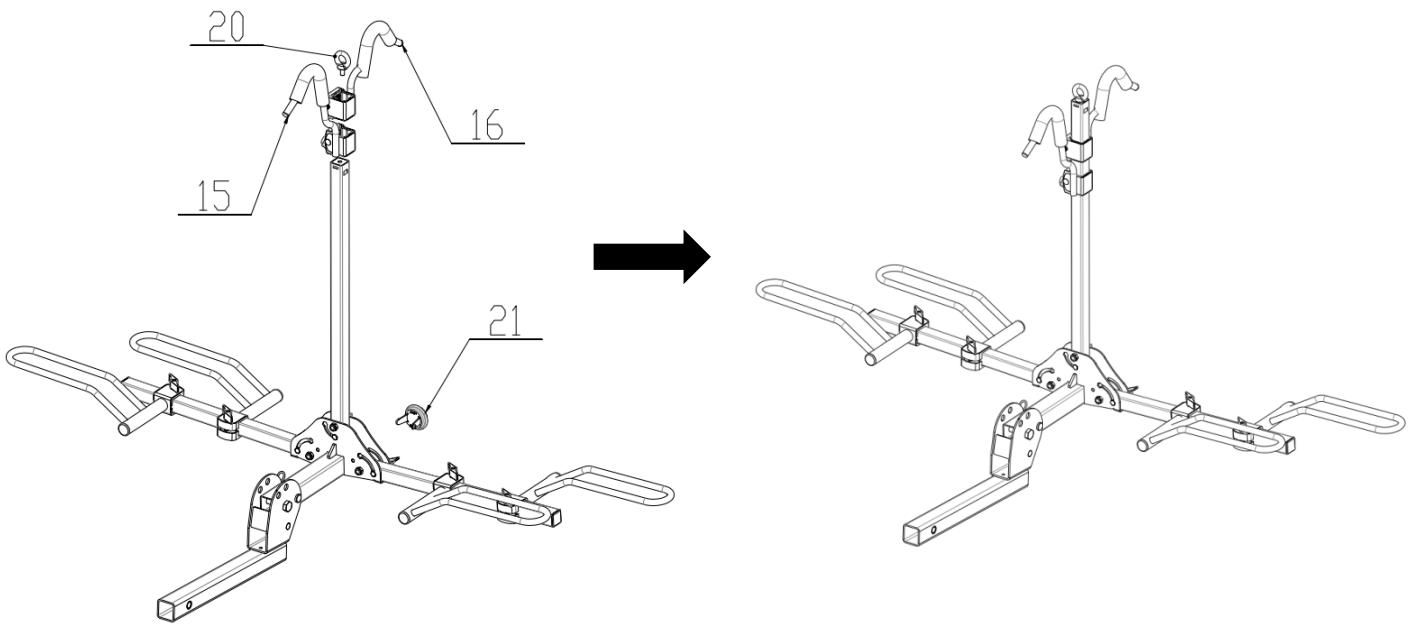
STEP 4 Slide the Left and Right Cradle Assemblies (parts #13 & #14) onto Horizontal Tubes. Release the knob of the left and right cradle. The knob should be facing up and the loop end of cradle should be facing outward and upward. Insert the cradles in sequence as shown below in Fig 4. After all 4 cradles are on the Horizontal Tubes, tighten. See FIG. 4



STEP 5 Install the Long J-Hook Assembly (part #15) and Short J-Hook Assembly (part #16) onto the Vertical Tube, then

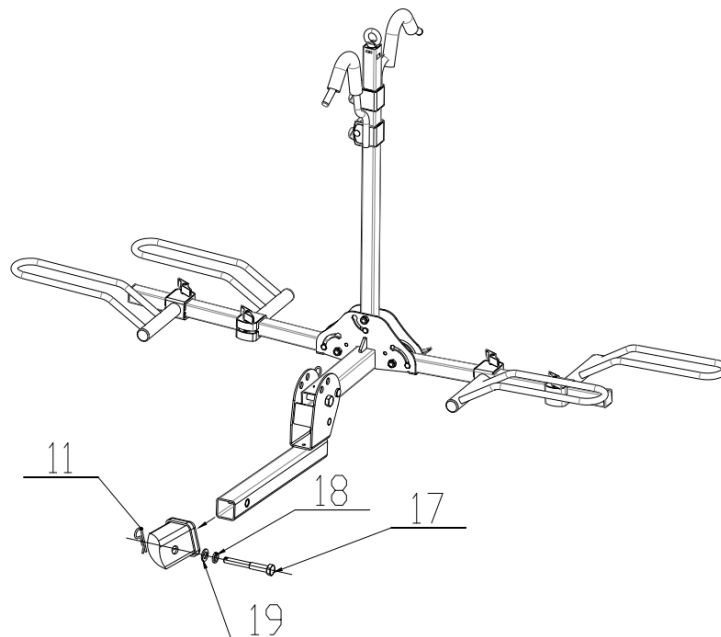
tighten the Eyebolt (part #20). Insert the Reflector (part #21) into the hole of the square tube. See FIG. 5

FIG. 5



STEP 6 Insert Folding Shank into 2" receiver, using Stabilizing Pin, 16 Spring Washer, 16 Flat Washer, and Clip (parts #17, #18, #19 & #11) to secure. See FIG. 6

FIG. 6



Mounting Bikes

The wheel cradles and J-Hooks are completely adjustable and slide on the tubes.

1. Loosen the 5/16 "knob and expose the head of the 5/16" hexagon bolt outside the support base assembly, then rotate vertical tube down. See FIG. 7
2. Load bicycle into Wheel Cradles. Adjust cradles to appropriate position. Ensure tire is well supported at both ends of Wheel Cradles. Tighten cradles to prevent movement. See FIG. 8
3. Rotate Vertical Tube to vertical position; lock with the 5/16 "knob. Lower J-Hook Assemblies down over bicycle frame. See FIG. 9

4. Apply downward pressure to bicycle and J-Hook Assemblies. Tighten J-Hook Assemblies and ensure there is no movement of bicycle.

FIG. 7

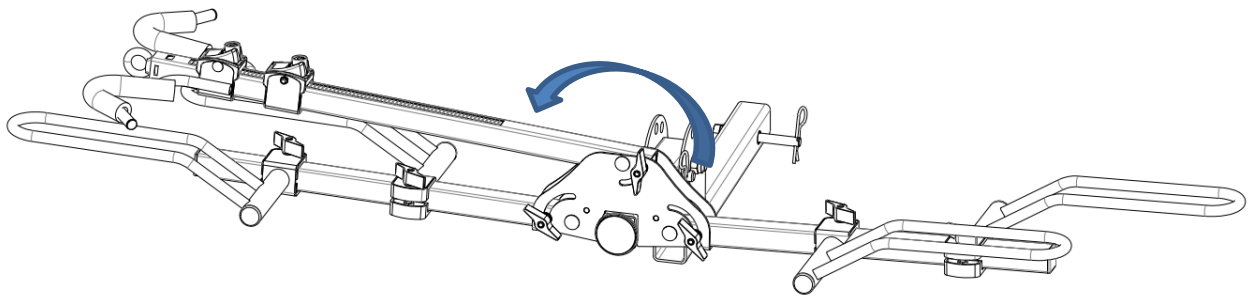


FIG. 8

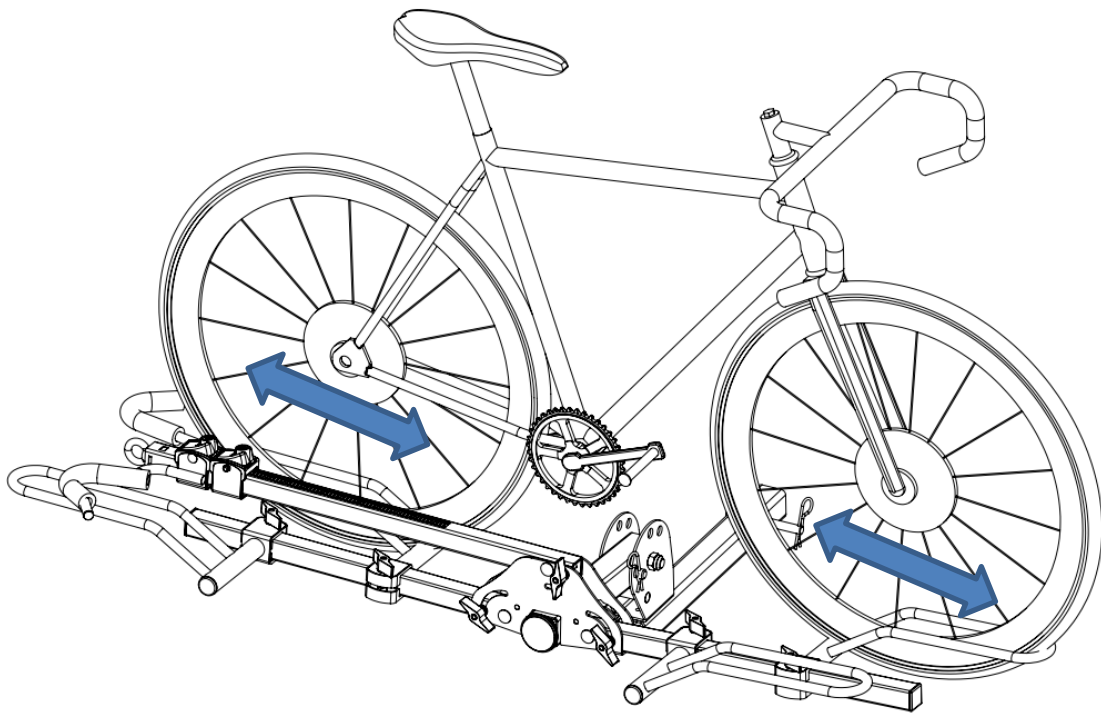
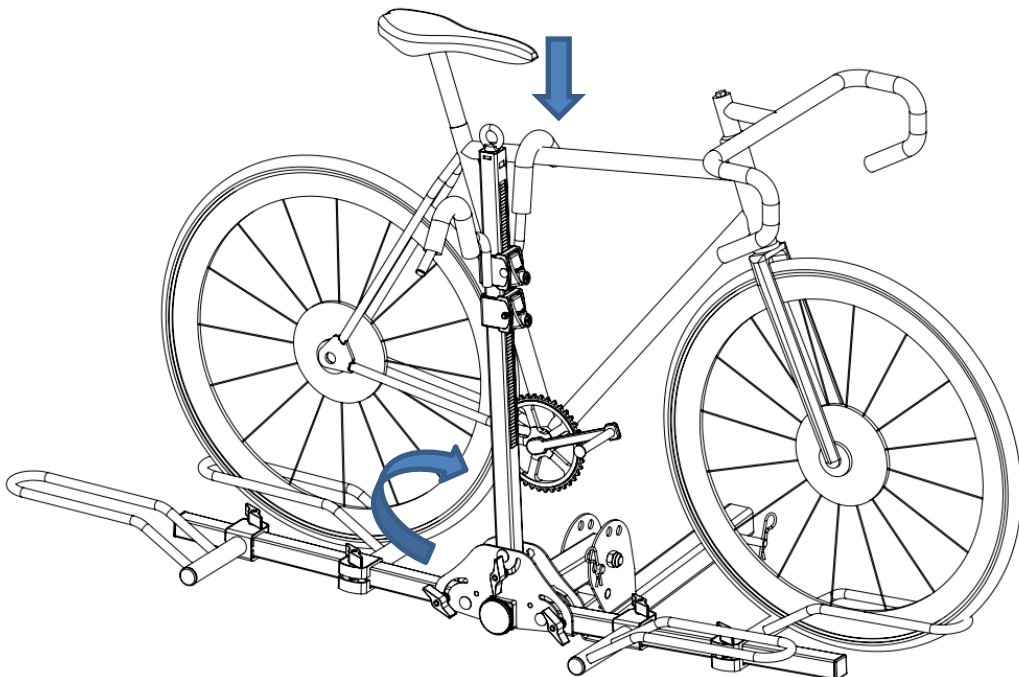


FIG. 9



5. Loop (1) Wheel Cradle Strap over each wheel and secure. See FIG. 10

WARNING – Failure to use wheel cradle straps may result in bike falling off rack during use.

6. Load second bicycle as describe in Bicycle Mounting steps 2 thru 5. Reverse direction of second bicycle to prevent handle bar interference. See FIG. 11

FIG.10

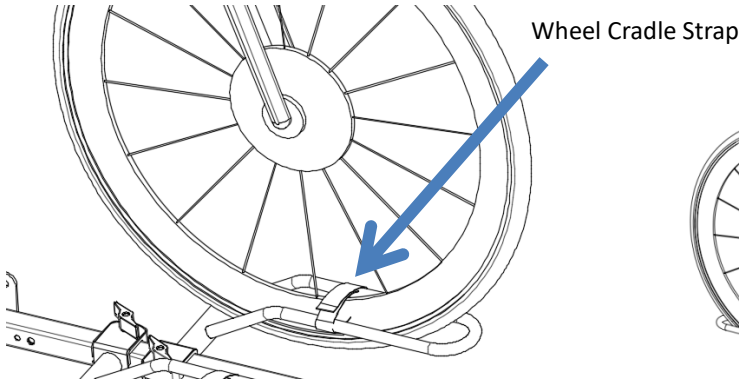
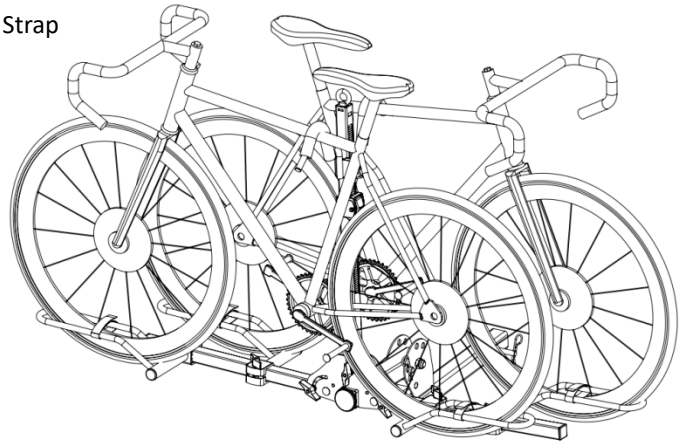


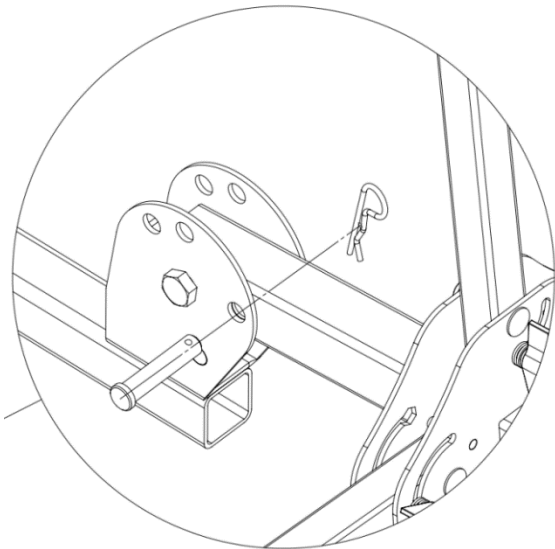
FIG.11



Tilt Down Feature

Do not place bikes on the wheel cradle when operating the tilt down feature. For access to the rear of vehicle, remove $\frac{5}{8}$ " pin and allow the rack to tilt downward. For safety, be sure to securely hold the bike rack while the pin is out. See FIG. 12

FIG. 12

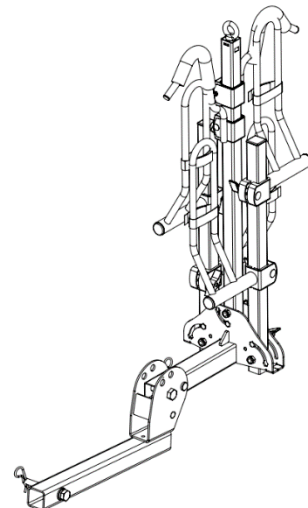
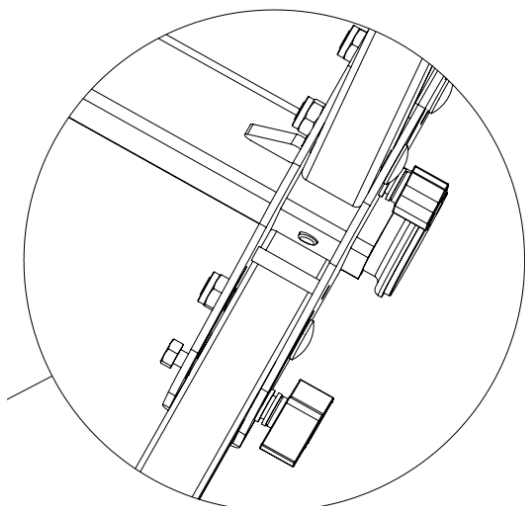


WARNING
DO NOT attempt to pull out the main locking pin or back-up locking pin while there are bikes mounted to the carrier.

Storage Feature

Loosen the $\frac{5}{16}$ " knob, rotate the support tube to the vertical states, and then tighten the $\frac{5}{16}$ " knob. See FIG. 13

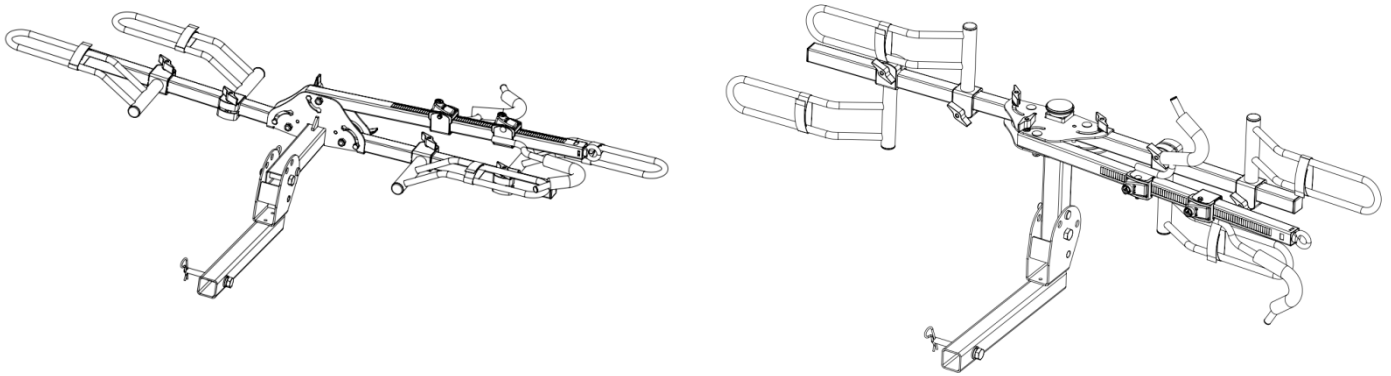
FIG. 13



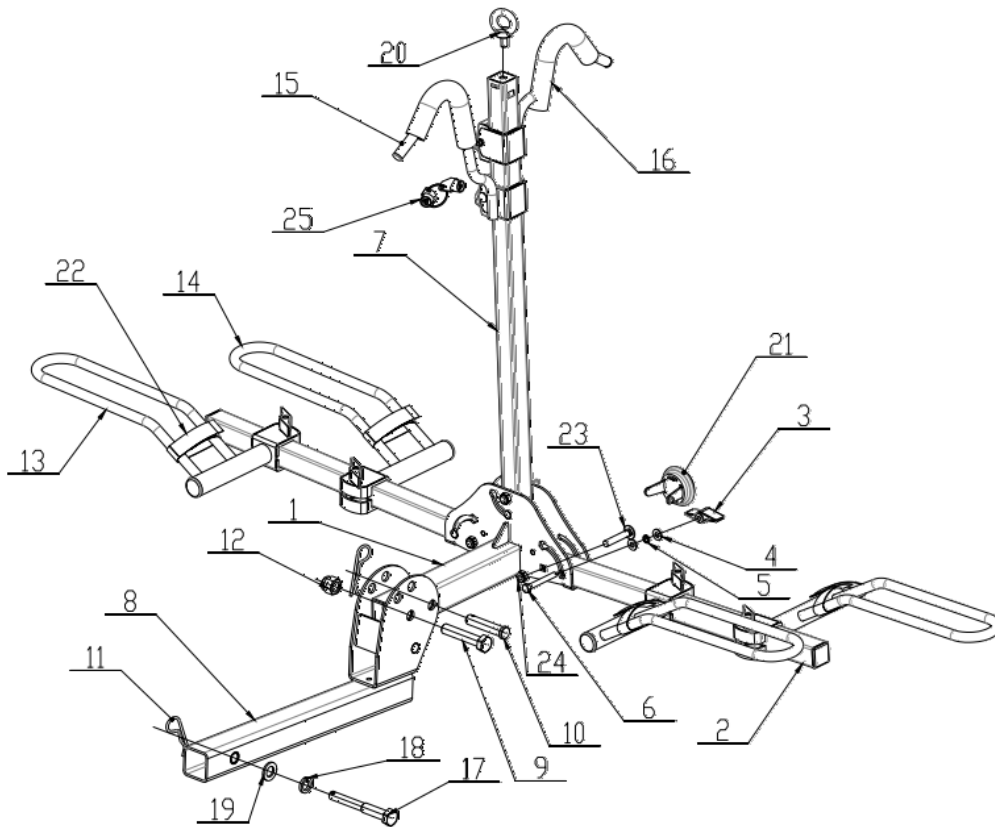
Folded when not in use Feature

Fold Vertical Tube to the horizontal position, and then fold the Folding Shank assembly to the vertical position. See FIG. 14

FIG. 14



Assembly



Part List

Part#	Description	Qty	Part#	Description	Qty
1	Support Base Assembly	1	14	Right Cradle Assembly	2
2	Horizontal Tube	2	15	Long J-Hook Assembly	1
3	5/16" knob	3	16	Short J-Hook Assembly	1
4	5/16" flat washer	6	17	Stabilizing Pin	1
5	5/16" spring washer	3	18	16 Spring Washer	1
6	5/16" hexagon bolt	3	19	16 Flat Washer	1
7	Vertical Tube	1	20	Eyebolt	1

8	Folding Shank	1	21	Reflector	1
9	M16 Bolt	1	22	Wheel Cradle Strap	4
10	5/8" Pin	1	23	M10 carriage bolt	3
11	Clip	2	24	M10 Locknut	3
12	M16 Locknut	1	25	Circular knob	1
13	Left Cradle Assembly	2			