

# CoopCam

## Installation & Operation Guide



# About our CoopCams

Your Run and Roost Cams are smart battery powered WiFi cameras that utilize the intelligence of our famous Albert Eggstein. Albert provides meaningful help day and night in taking care of your chickens – a 24/7 AI guardian. Precise predator detection, remote monitoring, egg alerts and more – Albert is always watching.

Some important notes:

- Your cameras come pre-charged in the boxes to about 50%. You can start using them right away, but ensure you charge to full capacity within the first two weeks.
- Coopcams perform best in temperatures between 14°F and 122°F (-10°C and 50°C), with humidity below 95%. They may not function as expected outside of this range.
- Cameras work with 2.4GHz Wi-Fi. Position your coop within 100-150 feet of your router when installing in your backyard. If you have trouble pairing your cameras, reach us at [help@coop.farm](mailto:help@coop.farm).

## Activating

Download the Coop App from the App Store, and follow the in-app instructions to complete setup of your cameras.

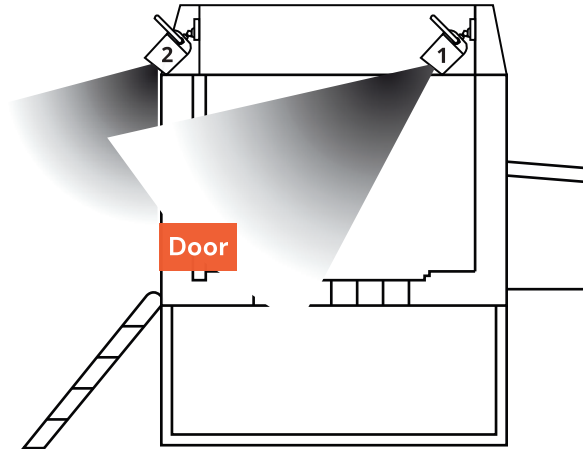


Note: We're working hard on finishing our Android App, but in the meantime, all Android users can access our web-based version.

# Where to Install

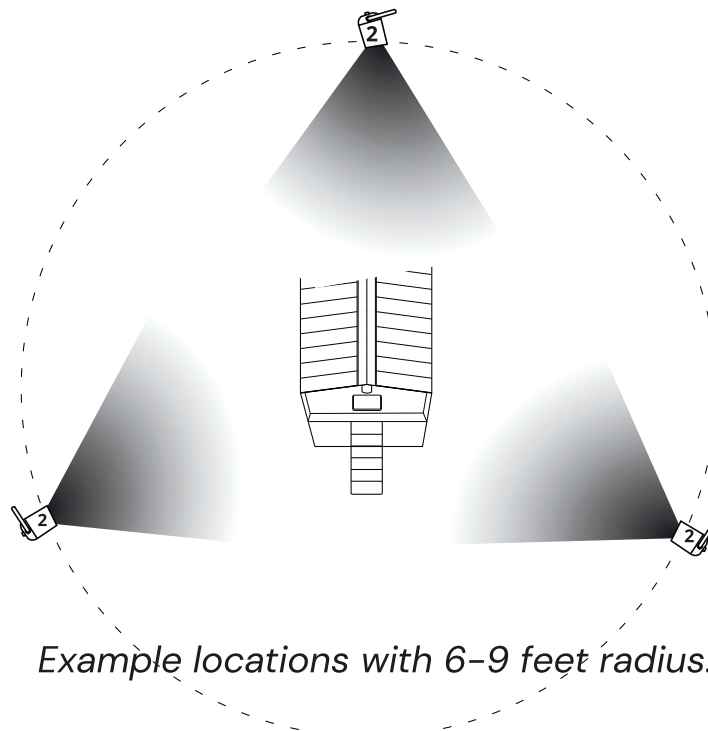
## (1) Interior Camera:

Ensure your interior camera has a clear view of the Automatic Door from inside the coop. This will enable your AM and PM notifications to work smoothly, confirming each open and close.

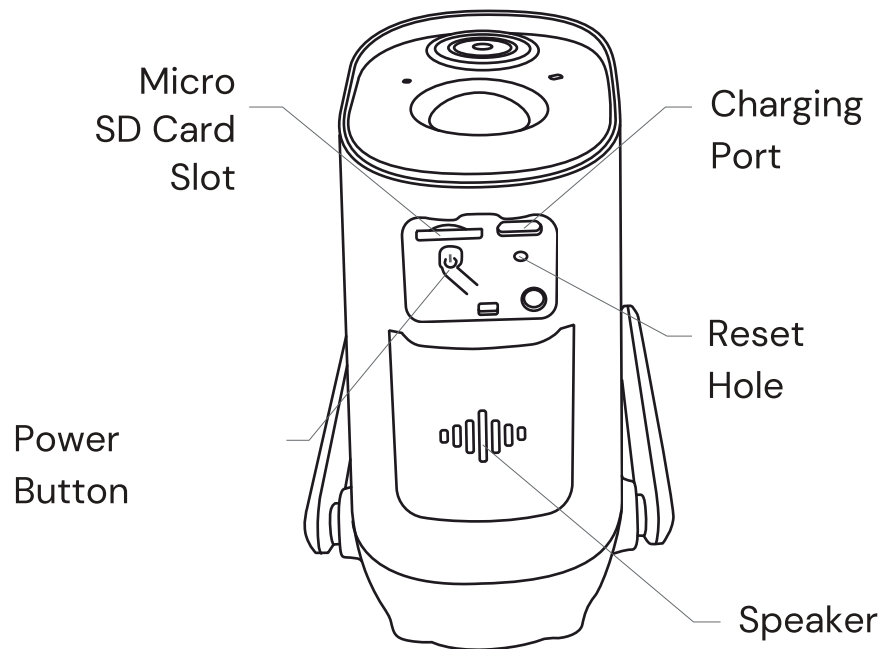
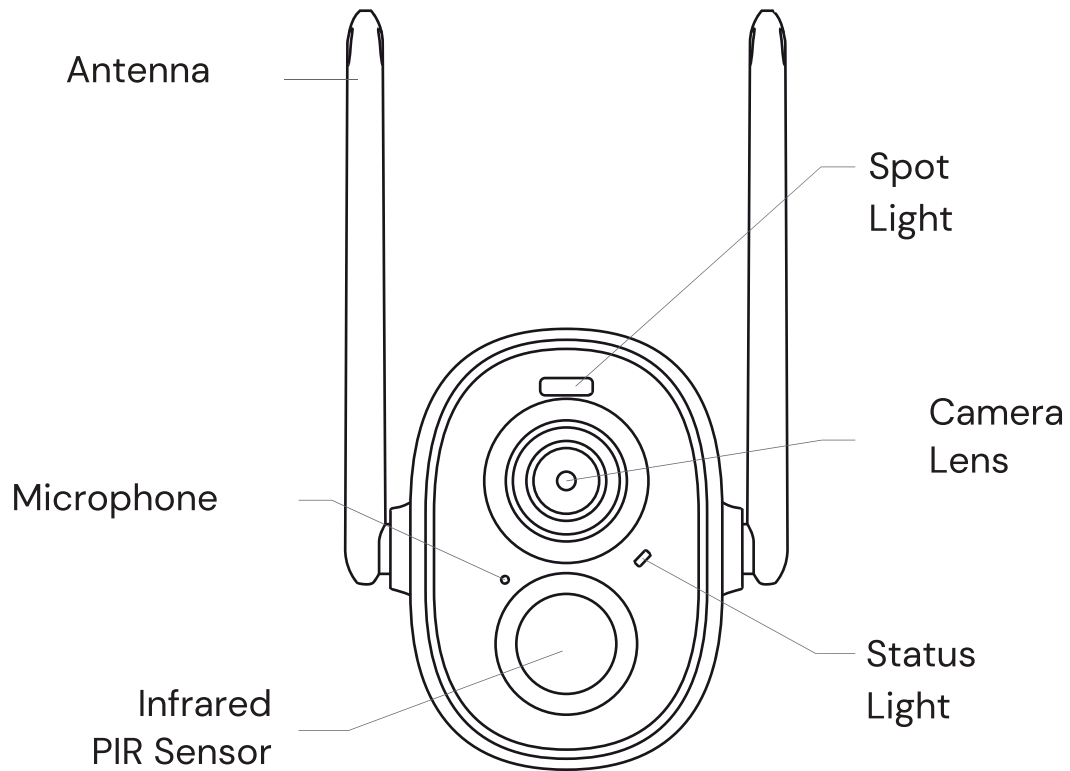


**(2) Exterior Camera:** Your exterior camera should have a clear view of your coop perimeter in close proximity. Ideally, the outside of your Automatic Door is visible in the camera frame, as well. We recommend placing within 6–9 feet of perimeter for the most accurate image and sound recognition.

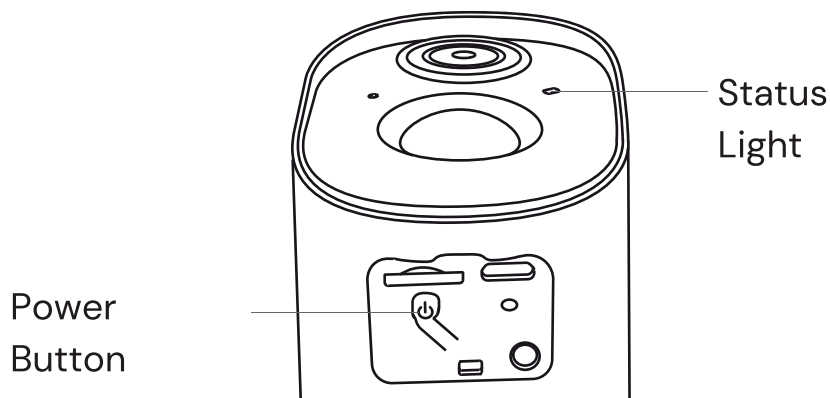
**Note!** Increasing the distance can reduce accuracy of predators recognition.



# Camera Diagram



# Turning On & Off



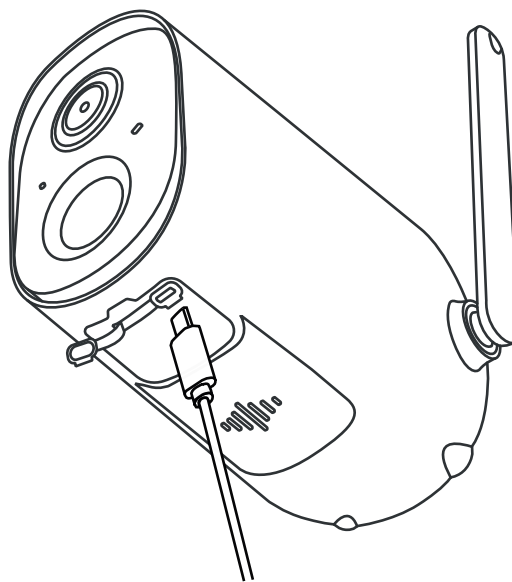
## To turn on:

Press and hold the power button for 3 seconds. Once the status light is solid blue, double-click the power button to enter the Wi-Fi pairing mode, and listen for a soft tone to indicate pairing mode activation.

## To turn off :

Press and hold the power button for 3 seconds, waiting for the status light to shut down.

# Charging



Easily charge your CoopCams with a micro-USB cable. Fully charge the camera batteries during the day to prevent interruptions to nighttime surveillance. Charging can take up to 14 hours depending on how depleted they are.

The status light will be yellow when charging and green when fully charged. Enjoy up to 30 days of battery life on a single full charge!

# Status Lights

The CoopCams use LED status lights, located on the front panel, to show activity:

Light	Description
None	Online or Standby
Blue Light	Online
Yellow Light	Charging mode
Green Light	Fully charged mode

## FAQ

### **Q1: Will the camera show red lights when night vision is activated?**

The built-in infrared lamp LEDs make the camera only show some dim red lights when night vision is activated, but the image quality is still clear under no light environment.

### **Q2: What are the requirements for Wi-Fi?**

Please use a 2.4GHz wireless network. Most smart home products are only compatible with 2.4GHz wireless networks, not 5GHz. Make sure your Wi-Fi is set with a WPA2-PSK authentication method (meaning a password is required.)

### **Q3: How far should the camera be placed from the router?**

After months of testing, the Wi-Fi connection distance can normally reach up to 150 feet in the open area. However, this can depend on the strength of Wi-Fi and its surrounding environment. If the camera connection signal is weak or unstable, please relocate your structure closer to your router.

### **Q4: How to reset the camera to factory settings?**

Long press the power button for 3 seconds to restart it. If there is no response, you can remove the rubber plug at the bottom of the camera. Press the button in the reboot hole with a pin to restart the camera.

# FCC warning

NOTE: This camera equipment has been tested and found to comply with the limits for a Class B digital device, pursuant to part 15 of the FCC Rules. These limits are designed to provide reasonable protection against harmful interference in a residential installation. This equipment generates uses and can radiate radio frequency energy and, if not installed and used in accordance with the instructions, may cause harmful interference to radio communications. However, there is no guarantee that interference will not occur in a particular installation. If this equipment does cause harmful interference to radio or television reception, which can be determined by turning the equipment o and on, the user is encouraged to try to correct the interference by one or more of the following measures:

- Reorient or relocate the receiving antenna.
- Increase the separation between the equipment and receiver.
- Connect the equipment into an outlet on a circuit di erent from that to which the receiver is connected.
- Consult the dealer or an experienced radio/TV technician for help.

The antennas used for this transmitter must be installed to provide a separation distance of at least 20 cm from all persons and must not be co-located for operating in conjunction with any other antenna or transmitter.

FCC (USA) 15.9 prohibition against eavesdropping except for the operations of law enforcement o cers conducted under lawful authority, no person shall use, either directly or indirectly, a device operated pursuant to the provision of this part for the purpose of overhearing or recording the private conversations of others unless such use is authorized by all parties engaging in the conversation. Changes or modifications not expressly approved by the party responsible for compliance could void the user's authority to operate the equipment.

FCC ID: 2AXBN-GC7  
Camera Model: GC7  
Manufactured in P.R.C.

[www.coop.farm](http://www.coop.farm)  
[help@coop.farm](mailto:help@coop.farm)  
15807 Booth Circle, Volente, TX 78641  
(c) Coop Inc, 2023