

coop

The Smart Coop Kit



Predator Alert:

Raccoon spotted at 11:23pm.
Tap to sound SOS alarm.



RACCOON DETECTED:
99.4% ACCURACY



Door opened at 7:02am

Enjoy your day - we've got
eyes on the flock.

Hey Farmer!

We're so excited welcome you into the smart farmin' lifestyle. Our first-of-its-kind Smart Coop Kit is where cutting-edge meets countryside, combining state-of-the-art AI, convenient automations and mobile app convenience.

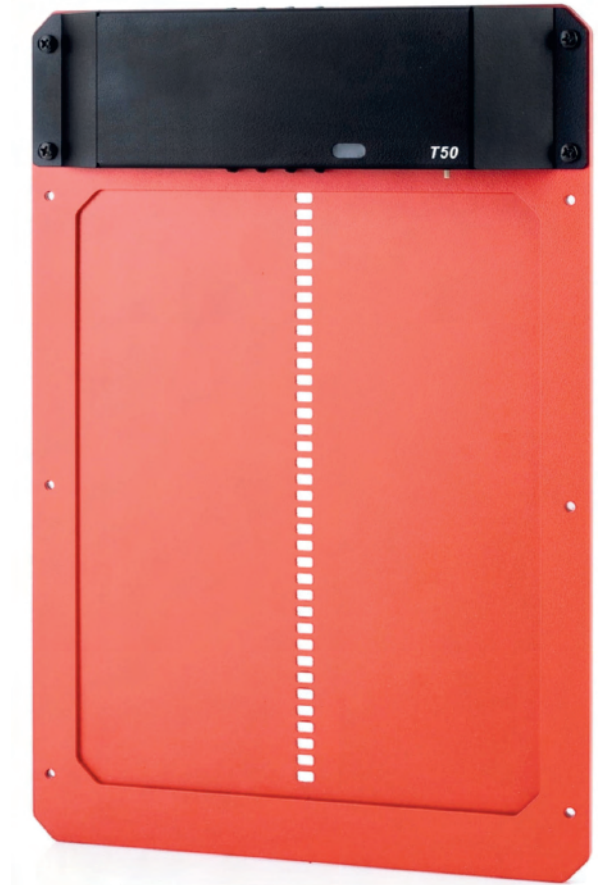
Get ready to experience high-tech, stress-free, backyard bliss. Your Smart Coop kit contains:

- **Two Wifi Coop Cameras:** CoopCams are equipped with advanced AI, trained to specifically protect backyard flocks while giving you 24/7 streaming peace of mind.
- **Automatic Coop Door:** Effortless convenience – AM to PM. Our automatic door opens and closes like clockwork, ensuring your chickens' daily comfort while making your life a breeze.
- **All in the App:** 24/7 remote monitoring with intelligent event recording, daily routine downloads and more – all in the Coop App. Your hub for hassle-free chicken care.

Let's get you setup!

Automatic Chicken Door

Installation & Operation Guide



PARTS INCLUDED:

- 1 x Automatic Door
- 6 x Wood screws for mounting
- 2 x AA alkaline batteries

TOOLS REQUIRED FOR MOUNTING:

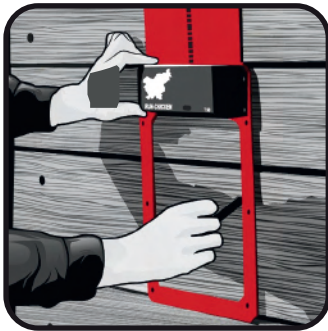
- Philips screwdriver (PH2) (for tightening the screws)
- Pencil (that writes on all surfaces)
- Jigsaw/keyhole hand saw
- Leveler

RECOMMENDED SAFETY ITEMS:

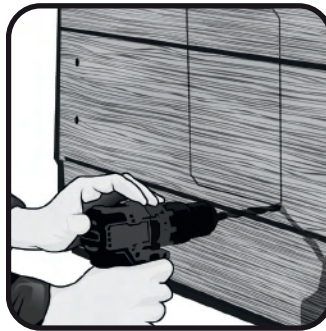
- Safety goggles
- Protective gloves

Installation

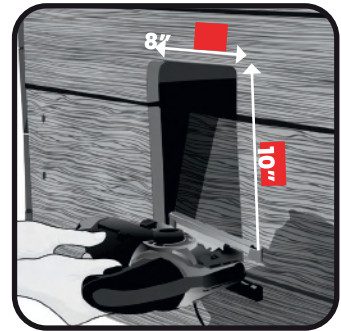
- First, decide where on your coop you'd like to install the Automatic Door. The door is suitable for wood, plastic and metal coops and even wire fences.
- We highly recommend installing on the exterior of the coop to allow for smooth daily open and close routines. If you chose to install on the interior, note that you'll need to manually set the daily routines as the sensor requires sunlight.
- Now, let's move onto mounting. Follow the below steps to secure your Automatic Door:



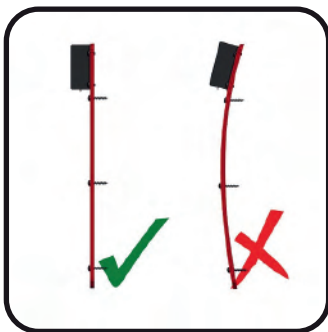
Using a marker, trace the inside edge to create a drilling guide.



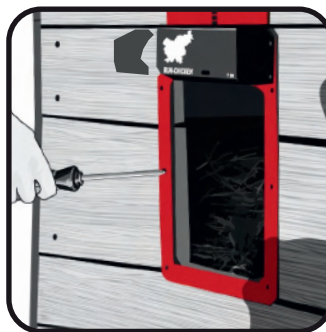
Drill 1 hole in each corner of tracing.



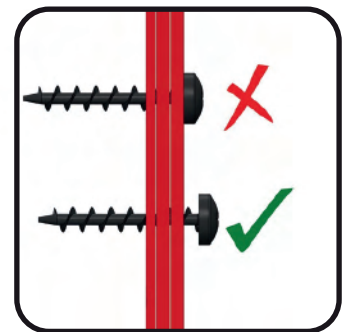
Use a handsaw to carve out door area and remove.



NOTE! Make sure you **do not bend the door** while mounting.



Screw in using the 6 provided screws. Leave a small space between the screw head and frame.



The door **will not work** if screws are over-tightened. Please ensure yours matches the diagram.

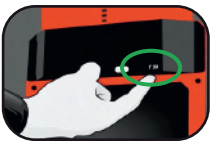
Activating your Door



Simply pull the plastic tab from the black battery compartment. This will activate **FACTORY SETTINGS MODE**. Your door is now programmed to automatically open at sunrise and close 20 minutes after sunset. **That's it!**

This default mode is designed to work exceptionally well with chicken's behavior, mirroring their natural morning and evening patterns. Most customers farmers use this default mode. However, if you'd like to fine-tune your daily settings, scan the QR code on the bottom of this guide.

Manual commands



Should you need to open or close your Door outside of the automatic sunrise and sunset events, locate the button at the right bottom of black battery compartment. Press the button and use the below light indicator guide:



UP

Press the button and look for a green LED light. This will manually open your door.



DOWN

Press the button and look for a red LED light. This will manually close your door.



FACTORY RESET

Should you need to reset your door, hold the button 15 seconds, waiting for indicator to flash through all green, red and blue lights. This will reset to original factory settings mode.

LED status



A blinking red light after the door is fully opened or closed typically indicates the batteries are dead and need immediately replacing. A blinking red light can also indicate that the door is unable to close because of dirt or debris. To troubleshoot, clean the door and attempt again.

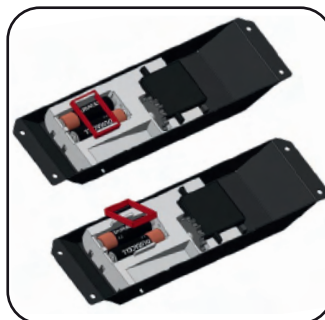


A blinking blue light indicates the door is in preparing to open or close.

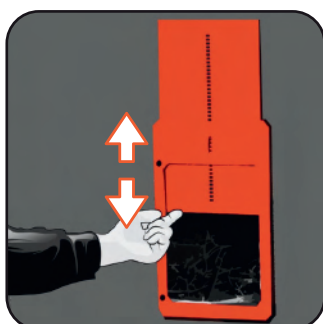
Battery Replacement



Step 1. Locate and unscrew four screws, one in each corner of the black housing where the motor unit and batteries are located.



Step 2. Remove the square battery plate and old batteries. Replace with 2 AA alkaline batteries and re-attach the plate.



Step 3. Before re-attaching the motor unit, manually test the door to ensure it is opening and closing smoothly.



Step 4. Using the same four screws, screw the motor unit back into place. Press the button to confirm the door is opening and closing normally.

DO



Regularly wipe and clean with cloth and warm water to remove dirt inside crevices. During the winter, ensure the door remains dry and no ice buildup occurs.



To keep your Door operating smoothly in harsh weather, replace the batteries with 2 AA alkaline yearly in December.

DON'T



Don't use any lubricant (e.g. WD-40). Greas will damage the mechanics.



Don't use rechargeable batteries, as differences in voltage can impact Door functionality.



Never use a pressure washer directly on the Door or battery compartment. This can cause electrical damage and or short circuiting.

Advanced Configuration

Setting the Door to Open at a Certain Time in the Morning

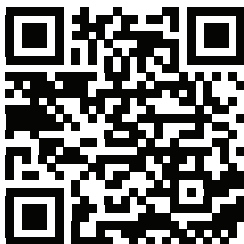
Press and hold the button for 3 SECONDS at the exact desired time of opening. When the indicator light shines GREEN, release the button and immediately press it again to confirm it. The door automatically detects the current time, and sets as the opening. For example: If you'd like the door to open every day at 8 a.m, at precisely that time, press and hold the button until you see the GREEN light, then release and immediately press the button again.

Setting the Door to To Close Later Than 20 Minutes After Sunset

You can manually set the door to close an additional 20 minutes after sunset. Press and hold the button for 5 SECONDS. When the indicator light shines RED, release the button and then press it again to confirm it. The door now will close 40 minutes after sunset

More configuration questions?

Scan the code below from your smart phone to configure online.



CoopCam

Installation & Operation Guide



About our CoopCams

Your Run and Roost Cams are smart battery powered WiFi cameras that utilize the intelligence of our famous Albert Eggstein. Albert provides meaningful help day and night in taking care of your chickens – a 24/7 AI guardian. Precise predator detection, remote monitoring, egg alerts and more – Albert is always watching.

Some important notes:

- Your cameras come pre-charged in the boxes to about 50%. You can start using them right away, but ensure you charge to full capacity within the first two weeks.
- Coopcams perform best in temperatures between 14°F and 122°F (-10°C and 50°C), with humidity below 95%. They may not function as expected outside of this range.
- Cameras work with 2.4GHz Wi-Fi. Position your coop within 100-150 feet of your router when installing in your backyard. If you have trouble pairing your cameras, reach us at help@coop.farm.

Activating

Download the Coop App from the App Store, and follow the in-app instructions to complete setup of your cameras.

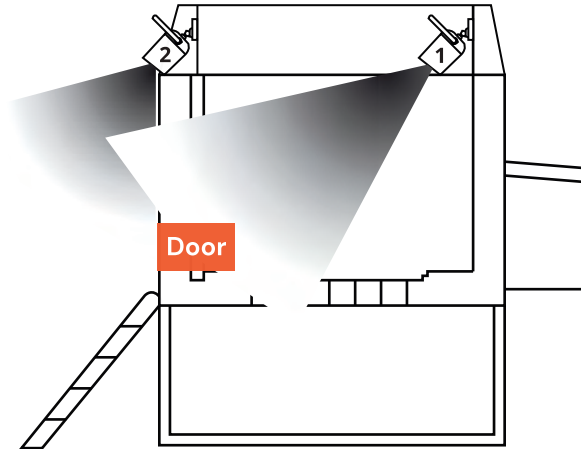


Note: We're working hard on finishing our Android App, but in the meantime, all Android users can access our web-based version.

Where to Install

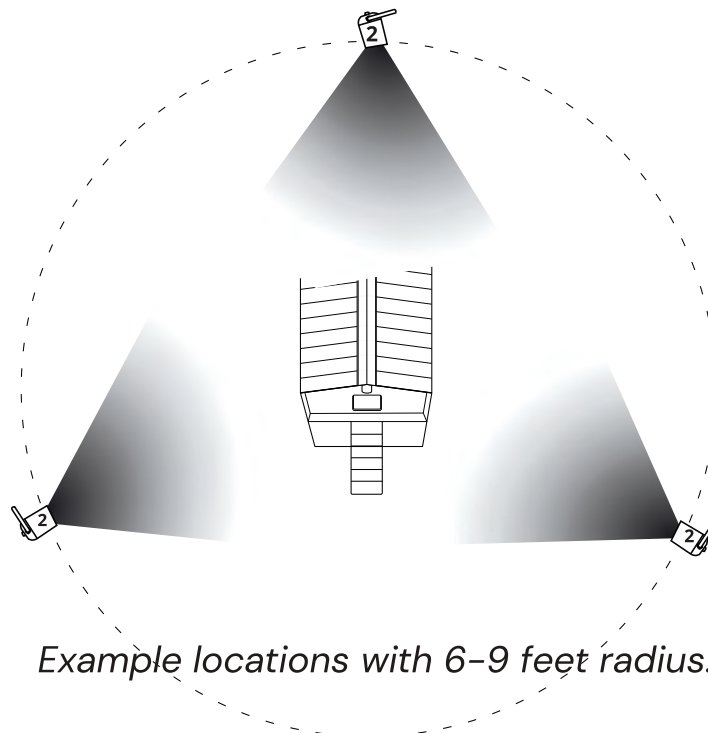
(1) Interior Camera:

Ensure your interior camera has a clear view of the Automatic Door from inside the coop. This will enable your AM and PM notifications to work smoothly, confirming each open and close.

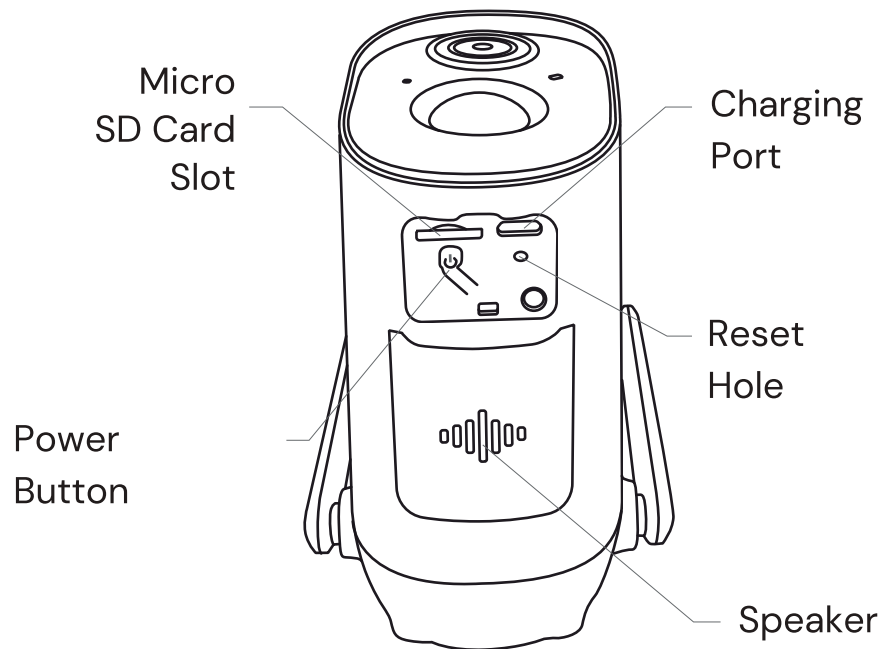
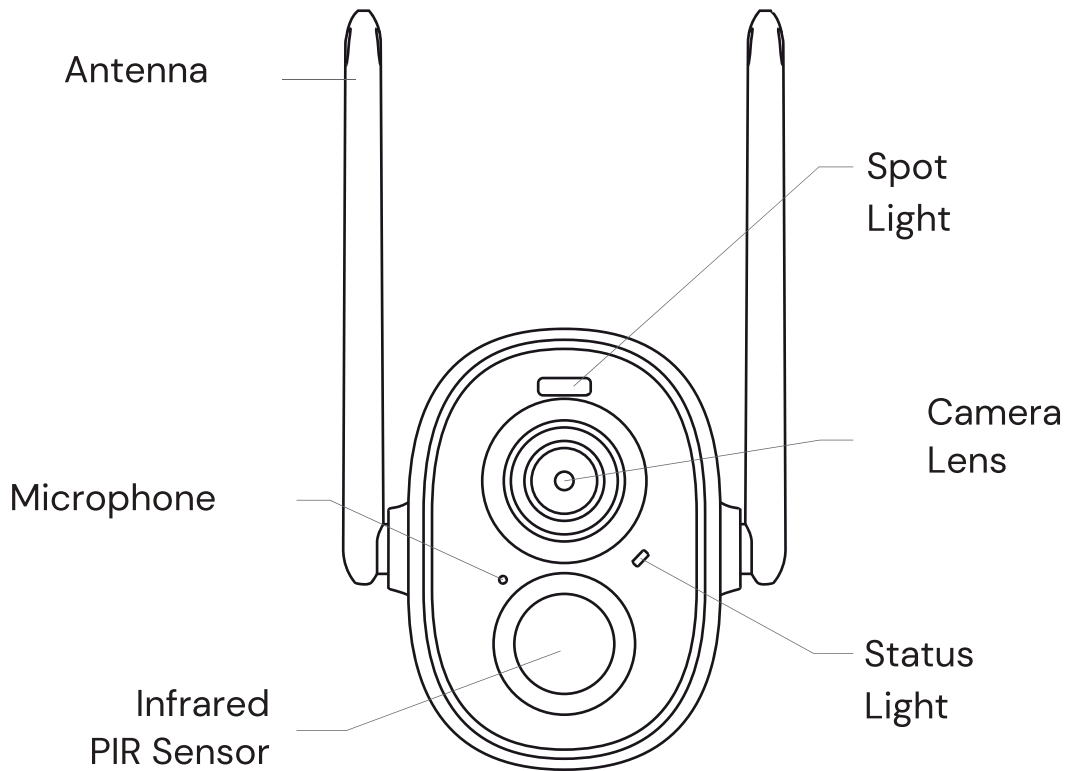


(2) Exterior Camera: Your exterior camera should have a clear view of your coop perimeter in close proximity. Ideally, the outside of your Automatic Door is visible in the camera frame, as well. We recommend placing within 6–9 feet of perimeter for the most accurate image and sound recognition.

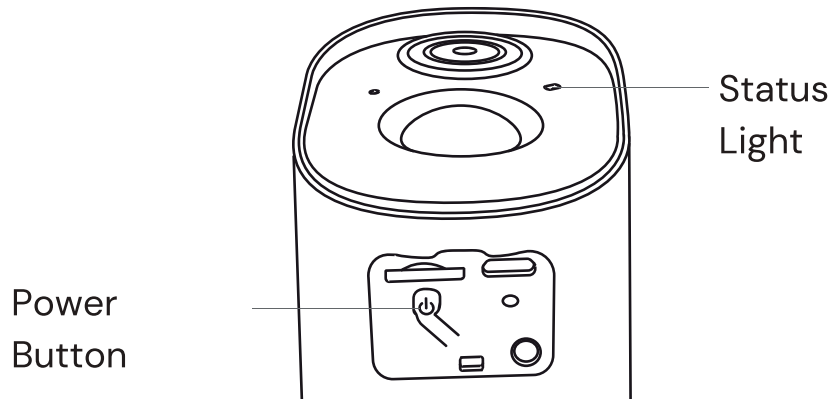
Note! Increasing the distance can reduce accuracy of predators recognition.



Camera Diagram



Turning On & Off



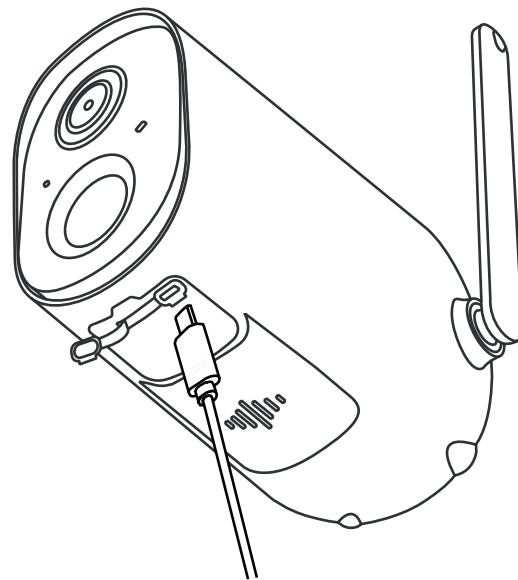
To turn on:

Press and hold the power button for 3 seconds. Once the status light is solid blue, double-click the power button to enter the Wi-Fi pairing mode, and listen for a soft tone to indicate pairing mode activation.

To turn off :

Press and hold the power button for 3 seconds, waiting for the status light to shut down.

Charging



Easily charge your CoopCams with a micro-USB cable. Fully charge the camera batteries during the day to prevent interruptions to nighttime surveillance. Charging can take up to 14 hours depending on how depleted they are.

The status light will be yellow when charging and green when fully charged. Enjoy up to 30 days of battery life on a single full charge!

Status Lights

The CoopCams use LED status lights, located on the front panel, to show activity:

Light	Description
None	Online or Standby
Blue Light	Online
Yellow Light	Charging mode
Green Light	Fully charged mode

FAQ

Q1: Will the camera show red lights when night vision is activated?

The built-in infrared lamp LEDs make the camera only show some dim red lights when night vision is activated, but the image quality is still clear under no light environment.

Q2: What are the requirements for Wi-Fi?

Please use a 2.4GHz wireless network. Most smart home products are only compatible with 2.4GHz wireless networks, not 5GHz. Make sure your Wi-Fi is set with a WPA2-PSK authentication method (meaning a password is required.)

Q3: How far should the camera be placed from the router?

After months of testing, the Wi-Fi connection distance can normally reach up to 150 feet in the open area. However, this can depend on the strength of Wi-Fi and its surrounding environment. If the camera connection signal is weak or unstable, please relocate your structure closer to your router.

Q4: How to reset the camera to factory settings?

Long press the power button for 3 seconds to restart it. If there is no response, you can remove the rubber plug at the bottom of the camera. Press the button in the reboot hole with a pin to restart the camera.

FCC warning

NOTE: This camera equipment has been tested and found to comply with the limits for a Class B digital device, pursuant to part 15 of the FCC Rules. These limits are designed to provide reasonable protection against harmful interference in a residential installation. This equipment generates uses and can radiate radio frequency energy and, if not installed and used in accordance with the instructions, may cause harmful interference to radio communications. However, there is no guarantee that interference will not occur in a particular installation. If this equipment does cause harmful interference to radio or television reception, which can be determined by turning the equipment off and on, the user is encouraged to try to correct the interference by one or more of the following measures:

- Reorient or relocate the receiving antenna.
- Increase the separation between the equipment and receiver.
- Connect the equipment into an outlet on a circuit different from that to which the receiver is connected.
- Consult the dealer or an experienced radio/TV technician for help.

The antennas used for this transmitter must be installed to provide a separation distance of at least 20 cm from all persons and must not be co-located for operating in conjunction with any other antenna or transmitter.

FCC (USA) 15.9 prohibition against eavesdropping except for the operations of law enforcement officers conducted under lawful authority, no person shall use, either directly or indirectly, a device operated pursuant to the provision of this part for the purpose of overhearing or recording the private conversations of others unless such use is authorized by all parties engaging in the conversation. Changes or modifications not expressly approved by the party responsible for compliance could void the user's authority to operate the equipment.

FCC ID: 2AXBN-GC7
Camera Model: GC7
Manufactured in P.R.C.

www.coop.farm
help@coop.farm
15807 Booth Circle, Volente, TX 78641
(c) Coop Inc, 2023