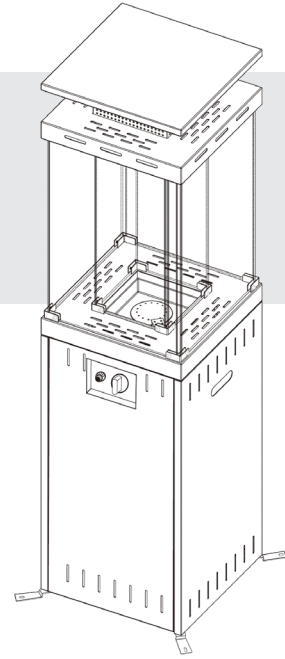




INSTRUCTION MANUAL

OUTDOOR PROPANE PATIO COLUMN HEATER

MODEL NUMBER: COB10003



Thank you for purchasing your new
OUTDOOR PROPANE
PATIO COLUMN HEATER

DO NOT RETURN THIS ITEM TO THE STORE

Should you encounter problems after following all the steps herein contained please contact our Customer Support: Call 1-888-227-3340 or email: customerservice@dekoliving.com. Kindly provide the model number, place and date of purchase and a short description of the problem.

LIMITED WARRANTY This product has a 1 year Limited Warranty. This warranty is limited to the replacement of defective parts only. Labor charges and/or damage incurred during installation, repair, replacement as well as incidental and consequential damages connected with the above are excluded. Any damage to this product as a result of neglect, misuse, accident, improper installation or use other than the purpose **SHALL VOID THIS WARRANTY**



IMPORTANT, RETAIN FOR FUTURE REFERENCE: READ CAREFULLY



Please read and understand this entire manual before attempting to assemble, operate or install the product. Failure to follow the dangers, warnings and cautions contained in this owners manual may result in a fire or explosion causing damage to property, serious bodily injury or death



WARNING

FOR YOUR SAFETY

For Outdoor Use Only
(outside any enclosure)

Installer: Leave these instructions with the consumer.

Consumer: Keep these instructions for future reference.



WARNING

FOR YOUR SAFETY

- 1) Improper installation, adjustment, alteration, service or maintenance can cause injury or property damage.
- 2) Read the installation, operation, and maintenance instructions thoroughly before installing or servicing this equipment.
- 3) Failure to follow these instructions could result in fire or explosion, which could cause property damage, personal injury or death.



WARNING

FOR YOUR SAFETY

1. This firepit is for outdoor use only.
2. **DO NOT** use this firepit in a building, garage, boats recreational vehicles, or any other enclosed area.
3. This firepit is not to be operated by children.
4. Always use in accordance with all applicable local, state and national codes. Contact your local fire department for details on firepits.
5. When using this firepit, exercise the same precautions you would do with any open fire.
6. The use of alcohol, prescription or non-prescription drugs may impair the consumer's ability to properly assemble or safely operate this firepit.
7. **DO NOT** use it without reading the entire "Owner's Manual" first.
8. **DO NOT** use this firepit until it is completely assembled.
9. **DO NOT** alter this firepit in any manner.
10. **DO NOT** use gasoline or other flammable vapors or liquids in the vicinity of this or any other firepit.
11. **DO NOT** use this firepit near automobiles, trucks, vans, recreational vehicles, electrical cords or any other combustible objects.
12. Always use this firepit on a hard, level, non-combustible surface.
13. The firepit must be inspected before each use.
14. The safeguard spark screen must be used while burning.
15. **DO NOT** use in windy conditions.
16. **DO NOT** wear flammable or loose clothing when this firepit.
17. **DO NOT** touch any part of the firepit until it is completely cooled down. Never leave a lit firepit unattended.
18. Children should be carefully supervised where they are anywhere near the firepit.
19. **DO NOT** attempt to move or store this firepit until the firepit is completely cooled down.
20. Burning must be inside the metal bowl.
21. **DO NOT** put any hot part of the firepit onto combustible surfaces such as grass, wooden deck or furniture.

22. USE PROPANE GAS ONLY!

- DO NOT** store or use gasoline or other flammable vapors in the vicinity of this or any other firepit.
- Service must be performed by a qualified installer.
23. For use with cylinders marked PROPANE only. Do not connect to a remote gas supply.
 24. If the firepit is stored indoors, detach and leave propane cylinder outdoors.
- If you smell gas:
1. Shut off gas to the firepit.
 2. Extinguish any open flame.
 3. If odor continues, keep away from the firepit and immediately call your gas supplier or fire department.
25. This fire table must be attended at all times!
 26. A liquid propane cylinder not connected for use shall not be stored in the vicinity of this or any other firepit.
 27. The propane cylinder must be disconnected when this fire table is not use.
 28. Do not exceed 1/4" depth of fire glass or lava rocks directly over the burner holes, this may result in unburned propane gas pooling in the firepit.

CARBON MONOXIDE HAZARD

This firepit can produce carbon monoxide which has no odor.
Using it in an enclosed space can kill you.
Never use this firepit in an enclosed space such as a camper, tent, car or home.

ALL ABOVE MUST BE EXACTLY FOLLOWED.



Intertek
5010198

DANGER

This firepit is intended for outdoor use only. It shall not be installed inside a building, garage or any other enclosed area. It shall not be installed on boats or recreational vehicles. A boiler shall not be used on or under any apartment, or condominium balcony or deck.

This firepit produces heat. Respect minimum clearances to all sides of the burner of at least 10 feet (3 m) from any structure or combustible material, and do not use it under an overhead unprotected combustible construction.

Use the burner on a stable leveled non-combustible surface and in an area clear of combustible materials. Asphalt surface may not be acceptable for this purpose.

CAUTION

The installation of this product must conform with local codes or, in the absence of local codes, with either the National Fuel Gas

FOR OUTDOOR USE ONLY! This firepit shall be used only outdoors in a well-ventilated space and shall not be used in a building, garage, or any other enclosed area.

USE PROPANE GAS ONLY!

Use only with a propane gas tank (sold separately). Do not attach to a remote gas supply. Propane gas is not natural gas. Only use propane gas for this fire pit. Never use charcoal or any other solid fuel in the fire pit. During ignition procedure, never get your face close to the burner as an unnoticed flame may light up and cause injury.

LIQUID PROPANE GAS WARNING: Do not exceed 1/4 in. depth of lava rocks directly above burner holes. Applying too much media may result in unburned gas pooling in fire pit. Ventilation is required to allow fresh air into enclosure and for any residual gas to escape.

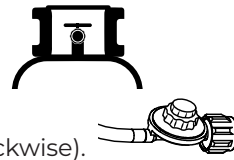
- Do not operate the fire pit if there is a gas leak present.
- Never use a flame to check for gas leaks.
- The max. inlet supply pressure: max. gas supply 11 inch w.c. (2.74kPa).
- The gas pressure regulator provided with the fire pit must be used.
- Use liquid propane gas tanks only with these required measurements: 12 in. (diameter) x 18 in. (tall) with 20 lb. capacity maximum.
- Propane tank used must include a collar to protect the propane gas tank valve.
- Never fill the propane gas tank beyond 80% full.
- Propane gas tank supply system must be arranged for vapor withdrawal.
- Do not use a propane gas tank with a damaged valve and any other worn out parts. A dented or rusty propane gas tank may be hazardous and should be checked by your gas supplier prior to use.
- Do not burn any other materials than are supplied with and intended for use in this fire pit.
- Lava rocks could hit somebody's face or eyes during initial start of this unit, so please keep away from the fire pit for the first 20 minutes after it has been ignited.
- Do not operate fire pit unless it is completely assembled and all parts are in place.
- Pay attention when operating the fire pit. It is hot when in use and should never be left unattended. Do not move it while in operation.
- Do not use this fire pit for cooking.
- Do not put any other fireplace cover or anything flammable on, beneath or around the fire pit.
- Users should be alerted to the hazards of high surface temperatures and keep a safe distance to avoid burning or clothing ignition.
- Do not sit on the fire pit. Do not rest feet or hands on the fire pit.
- Never lean over the open fire pit or place hands or fingers on the upper portion of an operational unit.
- Keep any electrical supply cords and the fuel supply hose away from any heated surfaces.
- Combustible materials should never be within 72 inches of the top, 48 inches of the back or sides of the fire pit.
- This fire pit must be attended at all times!
- Should the fire go out while burning, turn the gas valve off. Follow the instructions and wait five minutes before attempting to relight.
- Do not use this fire pit if any part has been under water.
- Do not pour water into fire pit.
- Immediately call a qualified service technician to inspect the appliance and to replace any part of the control system and any gas control which has been under water.
- Do not light or use gas unit if lava rocks are wet. Ensure lava rocks are completely dry before igniting as intense heat could cause the rocks to crack or pop.
- Do not attempt to disconnect the gas regulator or any gas fittings while your fire pit is in operation.
- Do not handle fire pit until it is shut off and completely cooled.
- The propane gas tank must be disconnected when fire pit is not in use.
- Do not store a spare or disconnected propane gas tank under or near this fire pit, or in the vicinity of any other appliance.
- If the fire pit is stored indoors, detach and leave propane gas tank outdoors.
- Maximum propane gas pressure is 250psi.
- The LP gas supply tank must be constructed and marked in accordance with the specifications for LP gas tanks of the U.S. Department of Transportation (DOT) or the National Standard of Canada CAN/CSA-B339, LP gas tanks, spheres and tubes for the Transportation of Dangerous Goods and Commission.
- The LP gas tank must have a listed overfilling prevention device (OPD) and a QCCI or Type I, (CGA810) LP gas tank connection.

Preparation and Operation

BEFORE USING THE OUTDOOR BURNER:

1. Install or operate the unit in an open area.

2. Make sure the propane cylinder / tank valve is on “OFF” position”(clockwise).



3. Make sure propane gas control on regulator is in “OFF” position (counterclockwise).

4. Inspect orifice at end of hose and regulator. Remove all debris.

- Before each use inspect hose for damage, wear, cuts or leaks. If any damage is identified, the hose must be replaced before the firepit is used. **Do not** attempt to repair yourself. The replacement hose assembly shall be specified by the manufacturer. Keep fuel supply hose away from any heated surface.

LEAK TESTING:

IMPORTANT: DO NOT SMOKE WHILE LEAK TESTING NEVER LEAK TEST WITH AN OPEN FLAME !!

Before each use, follow the procedures below to check the entire system for leaks. If the smell of gas is detected at anytime, turn off propane gas supply and immediately check the entire system for leaks.

TO CREATE A SOAPY SOLUTION FOR LEAK TEST: Mix 3 tablespoons of liquid dish detergent with water until the container is full. Then, use a spray bottle (make sure to shake it well to create more bubbles) or an applicator brush to apply the solution to all fittings, connections, and gas hoses. Before conducting the initial leak test, ensure that the propane cylinder / tank is full.

LEAK TESTING PROCEDURE:

1. Before performing a leak test, be sure that no sparks can occur and you are in a spacious outdoor area.
2. Connect the propane gas tank to the regulator and turn the valve on the unit to the “off” position.
3. Brush a soap and water mixture on all connections. Turn the gas supply on; if bubbles occur on any connection there may be a leak. If you smell gas or a leak is discovered turn the gas valve off, disconnect propane gas tank and do not use the appliance until the leak is repaired.
4. Do not use the heating unit without inspecting the gas hose. If there are signs of wear or abrasion you must replace the hose (if applicable). Pumice stones/lava rocks/LavaGlass could pop up and strike somebody’s face during the process of lighting this unit; stand away from the unit for the first 20 minutes after igniting. Flame height should be a yellow/blue color between 2 - 10 inches in height.
5. Wait 50 minutes after extinguishing flame prior to placing a lid (if applicable) or protective cover on heating item.

To Light the Firepit:

1. Make sure the control knob is in the “OFF” position.
2. Open the propane tank access door and slowly open the valve on the propane gas tank by turning the knob counterclockwise then close the access door.
3. Push and hold in the electronic ignitor to create sparks within the electrode, continue to hold.
4. Push in the control knob and turn to the “HIGH” position. Keep holding down the control knob to allow gas to flow for 15 seconds.
5. If ignition doesn’t occur within a few seconds release the control knob and rotate to the “OFF” position. Wait for 5 minutes for gas to clear and then repeat the above lighting instructions.
6. Once the fire is lit, the flame intensity may be controlled by turning the control knob between the “LOW” and “HIGH” positions.

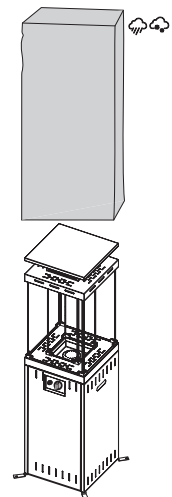
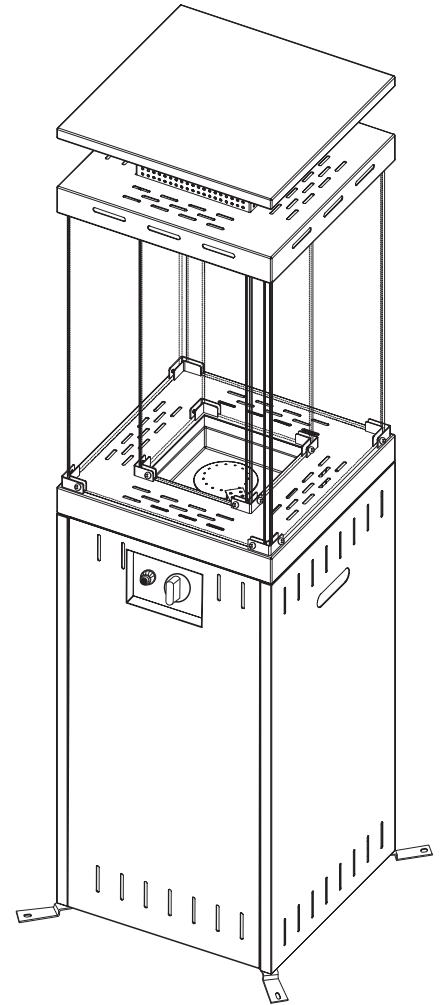
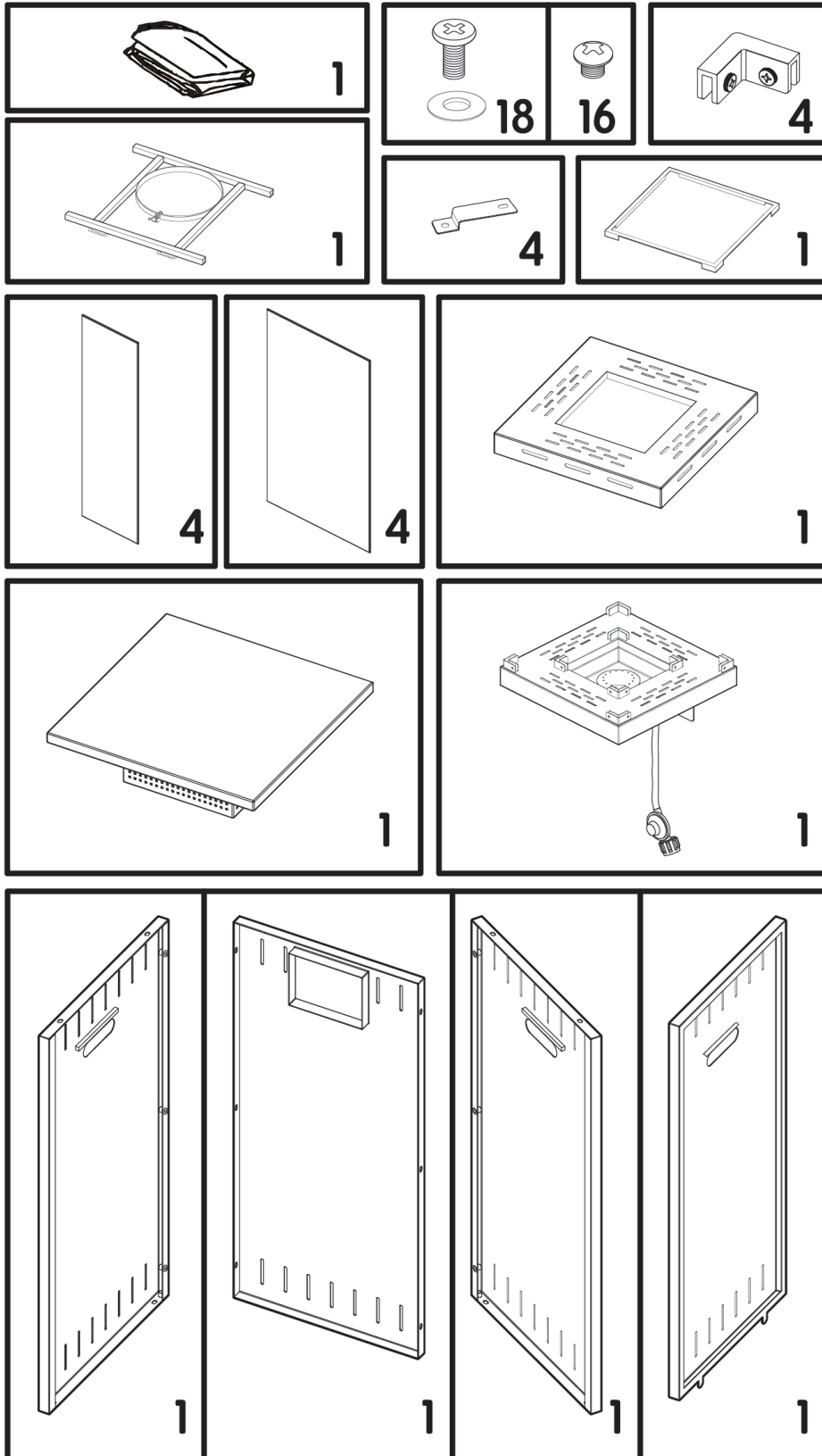
To Extinguish the Firepit:

1. Turn control knob clockwise to the “HIGH” position; push and continue turning the control knob to the “OFF” position.
2. Close the cylinder valve on the propane gas tank if you don’t intend to use it for a long time.

Maintenance:

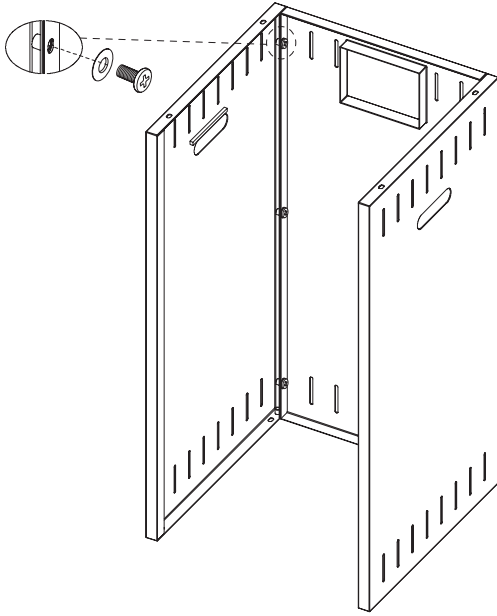
1. Keep your firepit free and from combustible materials.
2. Visually inspect the firepit burner from obstructions and keep firepit free and clear from debris .
3. After the firepit burner and lava rocks are completely cooled down, use a soft brush to get rid of the mild stains, loose dirt and soil.
4. Wipe with a soft cloth.
5. Stubborn stains, discoloration and rust pitting can occur from exposure to harsh outdoor conditions.
6. Be careful not to let any powder or solvent come in contact with painted or plastic components as damage may occur.
7. Store the firepit in a cool dry place away from sunlight.
8. The propane gas tank must be disconnected and removed from the firepit before the it can be stored.
9. If your firepit is equipped with a battery, make sure both the propane gas and the firepit are turned off before changing battery.

Parts List

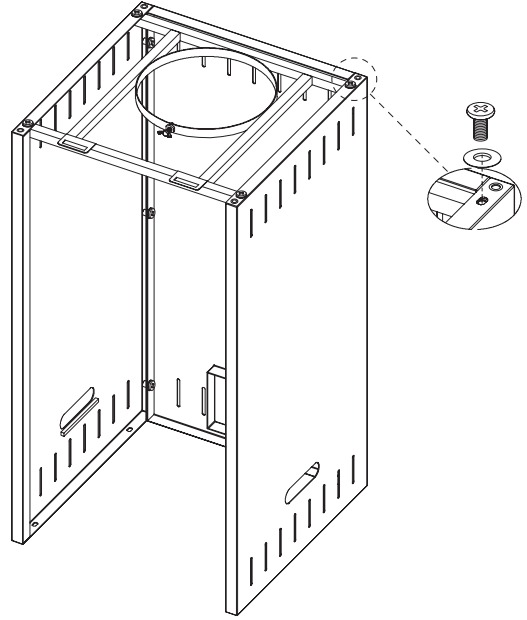


Assembly Instructions

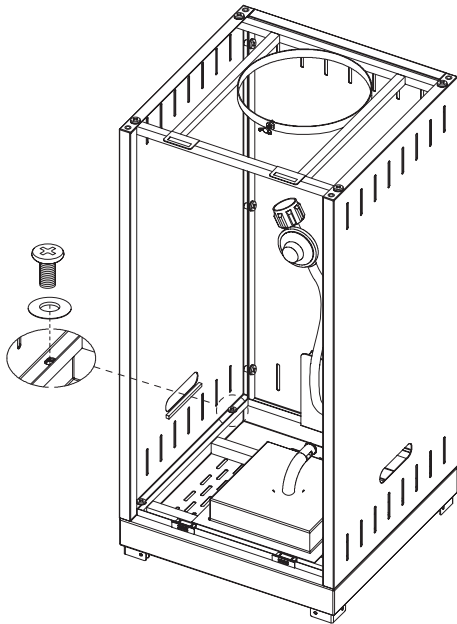
Step 1



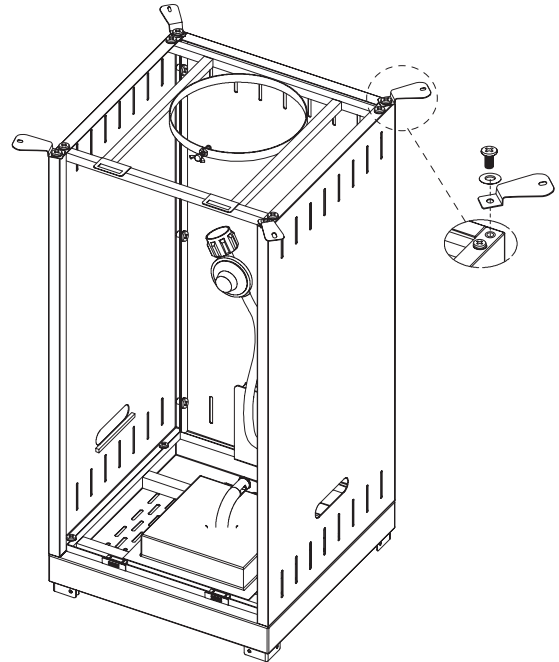
Step 2



Step 3

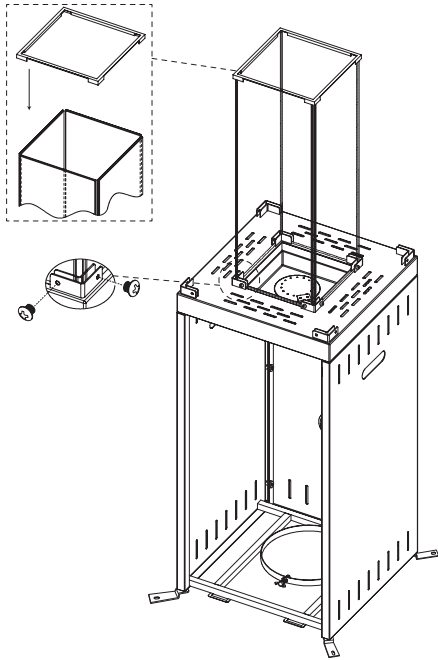


Step 4

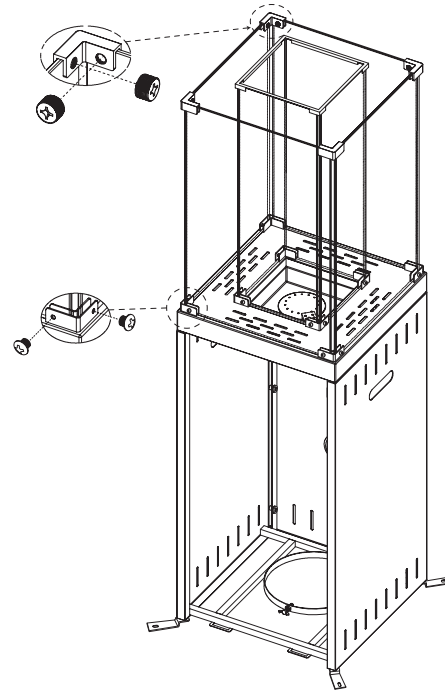


Assembly Instructions

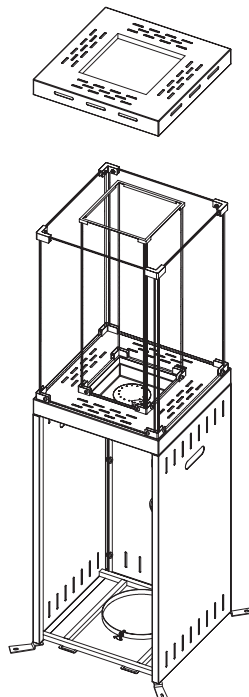
Step 5



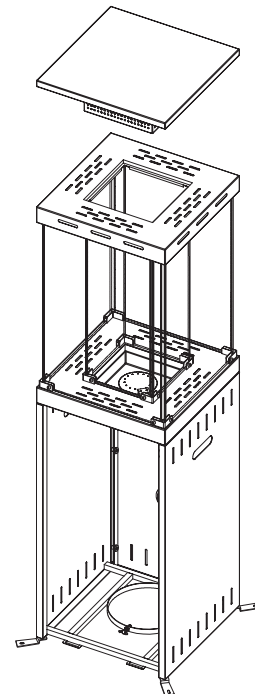
Step 6



Step 7

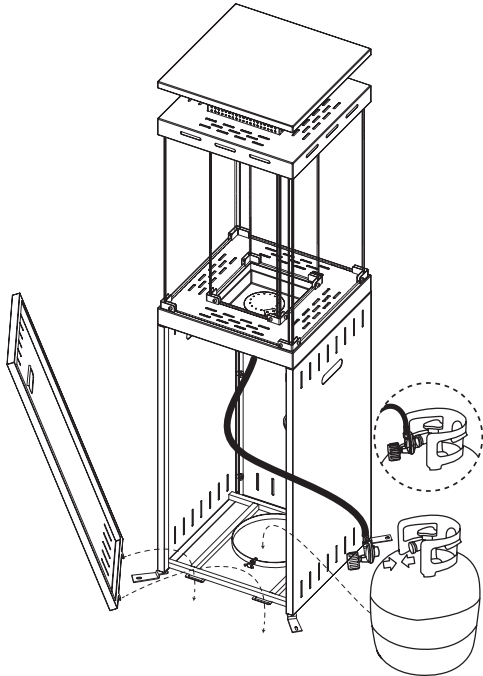


Step 8

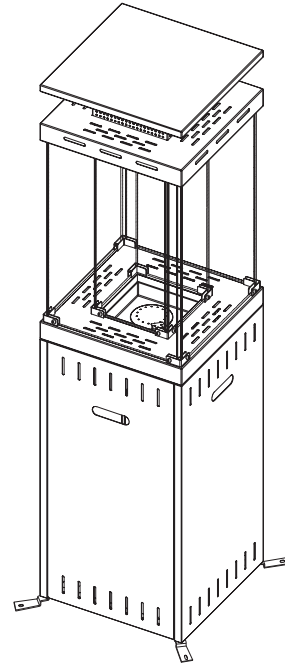


Assembly Instructions

Step 9



Step 10



Propane Tank & Fire Glass Installation

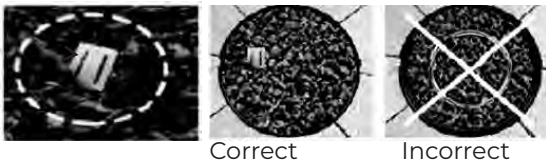
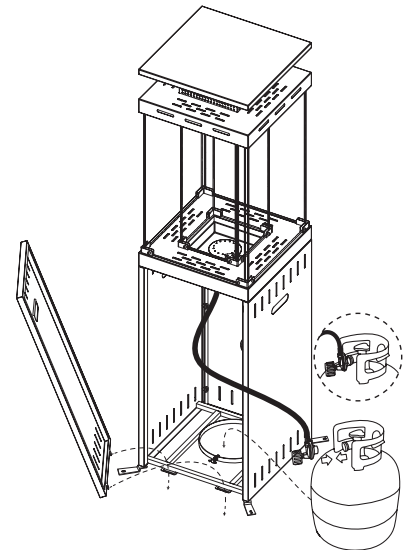
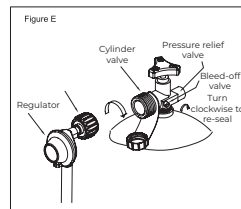
Connect the pressure-regulating valve to the propane tank (Figure E)

- 1 - Turn the cylinder valve clockwise to the gas supply on the propane tank.
- 2 - Screw regulator coupling clockwise (by hand only) Make sure it is fastened.

Fire Glass Installation

Keep screen clear. Do not place fire glass on the screen (see figure below).

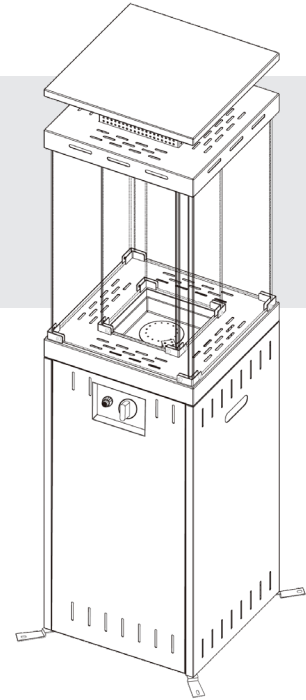
To prevent the flame from being extinguished, the firepit burner must be completely covered by the fire glass (see figure below).



MANUEL D'INSTRUCTIONS

PROPANE EXTÉRIEUR CHAUFFE-COLONNE DE TERRASSE

NUMÉRO DE MODÈLE : COB10003



Merci d'avoir acheté votre nouveau
Propane extérieur
Chauffe-colonne de terrasse

NE PAS RETOURNER CET ARTICLE AU MAGASIN

Si vous rencontrez des problèmes après avoir suivi toutes les étapes décrites dans le présent document, veuillez contacter notre service d'assistance à la clientèle : Appelez le 1-888-227-3340 ou envoyez un courriel à l'adresse suivante : customerservice@dekoliving.com. Veuillez indiquer le numéro du modèle, le lieu et la date d'achat de et une brève description du problème.

GARANTIE LIMITÉE Ce produit bénéficie d'une garantie limitée d'un an. Cette garantie est limitée au remplacement des pièces défectueuses. Les frais de main-d'œuvre et/ou les dommages encourus lors de l'installation, de la réparation, du remplacement ainsi que les dommages accessoires et indirects liés à ce qui précède sont exclus. Tout dommage causé à ce produit à la suite d'une négligence, d'une mauvaise utilisation, d'un accident, d'une installation incorrecte ou d'une utilisation non conforme à l'usage prévu annule la garantie **ANNULERA LA PRÉSENTE GARANTIE**



**IMPORTANT, A CONSERVER POUR TOUTE RÉFÉRENCE FUTURE :
LIRE ATTENTIVEMENT**



Veuillez lire et comprendre l'intégralité de ce manuel avant d'essayer d'assembler, d'utiliser ou d'installer le produit. Le non-respect des dangers, avertissements et mises en garde contenus dans ce manuel du propriétaire peut entraîner un incendie ou une explosion causant des dommages matériels, des blessures corporelles graves, voire la mort.



AVERTISSEMENT

POUR VOTRE SÉCURITÉ

Utilisation à l'extérieur uniquement (en dehors de toute enceinte)

Installateur : Laissez ces instructions au consommateur.

Consommateur : Conservez ces instructions pour référence ultérieure.



AVERTISSEMENT

POUR VOTRE SÉCURITÉ

- 1) Une installation, un réglage, une modification, un entretien ou une maintenance incorrects peuvent entraîner des blessures ou des dommages matériels.
- 2) Lisez attentivement les instructions d'installation, d'utilisation et d'entretien avant d'installer ou de réparer cet appareil.
- 3) Le non-respect de ces instructions peut provoquer un incendie ou une explosion, ce qui peut entraîner des dommages matériels, des blessures ou la mort.



AVERTISSEMENT

POUR VOTRE SÉCURITÉ

1. Cet foyer ne peut être utilisé qu'à l'extérieur.
2. **NE PAS** utiliser ce brûleur d'extérieur dans un bâtiment, un garage, un bateau, un véhicule de loisir ou tout autre endroit fermé.
3. Ce foyer ne doit pas être utilisé par des enfants.
4. Toujours utiliser conformément à tous les codes locaux, nationaux et d'état applicables. Contactez votre service d'incendie local pour plus de détails sur le foyer.
5. Lorsque vous utilisez ce foyer, prenez les mêmes précautions que pour n'importe quel feu ouvert.
6. La consommation d'alcool, de médicaments sur ordonnance ou en vente libre peut nuire à la capacité du consommateur d'assembler correctement ou d'utiliser en toute sécurité ce foyer.
7. **NE PAS** l'utiliser sans avoir lu au préalable l'intégralité du "Manuel du propriétaire".
8. **NE PAS** utiliser ce foyer tant qu'il n'est pas complètement assemblé. **NE PAS** modifier ce foyer de quelque manière que ce soit.
9. **NE PAS** utiliser de l'essence ou d'autres vapeurs ou liquides inflammables à proximité de cet appareil ou de tout autre appareil.
10. **NE PAS** utiliser ce foyer à proximité d'automobiles, de camions, de camionnettes, de véhicules de loisirs, de cordons électriques ou de tout autre objet combustible.
11. Utilisez toujours ce foyer sur une surface dure, plane et non combustible.
12. L'appareil doit être inspecté avant chaque utilisation.
13. L'écran de protection contre les étincelles doit être utilisé pendant la combustion.
14. **NE PAS** utiliser en cas de vent.
15. **NE PAS** porter des vêtements inflammables ou amples lors de l'utilisation de ce foyer.
16. **NE PAS** toucher aucune partie de l'appareil jusqu'à ce qu'il soit complètement refroidi. Ne laissez jamais un foyer allumé sans surveillance.
17. Les enfants doivent être surveillés de près lorsqu'ils se trouvent à proximité du foyer.
18. **NE PAS** essayer de déplacer ou de ranger ce foyer tant que l'appareil n'est pas complètement refroidi.
19. La combustion doit se faire à l'intérieur du bol métallique.
20. **NE PAS** poser une partie chaude du foyer sur des

surfaces combustibles telles que de l'herbe, une terrasse en bois ou un meuble.

UTILISER UNIQUEMENT DU GAZ PROPANE !

Ne pas stocker ou utiliser de l'essence ou d'autres vapeurs inflammables à proximité de cet foyer ou de tout autre appareil. L'entretien doit être effectué par un installateur qualifié.

21. A utiliser uniquement avec les bouteilles marquées PROPANE. Ne pas raccorder à une source d'alimentation en gaz éloignée.
22. Si le foyer est entreposé à l'intérieur, détachez la bouteille de propane et laissez-la à l'extérieur.
23. Si vous sentez une odeur de gaz : 1. Coupez le gaz de l'appareil. 2. Éteindre toute flamme nue. 3. Si l'odeur persiste, éloignez-vous de l'appareil et appelez immédiatement votre fournisseur de gaz ou les pompiers.
24. Cette foyer doit être surveillée en permanence !
25. Une bouteille de propane liquide non raccordée ne doit pas être stockée à proximité de cet appareil ou de tout autre appareil.
26. La bouteille de propane doit être débranchée lorsque le foyer n'est pas utilisé.
27. DANGER DE MONOXYDE DE CARBONE Cet foyer peut produire du monoxyde de carbone qui n'a pas d'odeur. L'utiliser dans un espace clos peut vous tuer. N'utilisez jamais cet appareil dans un espace clos tel qu'un camping-car, une tente, une voiture ou une maison.

TOUTES LES DISPOSITIONS CI-DESSUS DOIVENT ÊTRE RESPECTÉES À LA LETTRE.



Intertek
5010198

DANGER

Ce foyer est destiné à une utilisation en plein air uniquement. Il ne doit pas être installé à l'intérieur d'un bâtiment, d'un garage ou de toute autre zone fermée. Il ne doit pas être installé sur des bateaux ou des véhicules récréatifs. Une chaudière ne doit pas être utilisée sur ou sous aucun appartement, ni balcon ou pont de copropriété. Ce foyer produit de la chaleur. Respectez les dégagements minimaux de tous les côtés du brûleur d'au moins 10 pieds (3 m) de toute structure ou matériau combustible, et ne l'utilisez pas sous une construction combustible non protégée. Utilisez le brûleur sur une surface non inflammable nivelée stable et dans une zone à l'écart des matériaux combustibles. La surface de l'asphalte peut ne pas être acceptable à cette fin.

CAUTION

L'installation de ce produit doit être conforme aux codes locaux ou, en l'absence de codes locaux, avec le gaz carburant national Code, ANSI Z223.1/NFPA 54, OR CAN/CGA-B149.1, National Gas and Propane Installation Code.

Utilisation en plein air uniquement! Ce foyer ne doit être utilisé que l'extérieur dans un espace bien ventilé et ne doit pas être utilisé dans un bâtiment, un garage ou toute autre zone fermée.

Utilisez le gaz propane uniquement! Utilisez uniquement avec un réservoir de gaz propane (vendu séparément). Ne vous attachez pas à une alimentation en gaz à distance. Le gaz propane n'est pas du gaz naturel. Utilisez uniquement du gaz propane pour ce foyer. N'utilisez jamais de charbon de bois ou de tout autre carburant solide dans le foyer. Pendant la procédure d'allumage, ne vous rapprochez jamais du brûleur car une flamme inaperçue peut s'allumer et causer des blessures.

Avertissement de gaz au propane liquide: Ne dépassez pas 1/4 po de profondeur des roches de lave directement au-dessus des trous du brûleur. L'application de trop de supports peut entraîner une mise en commun non brûlée de gaz à Fire Pit. Une ventilation est nécessaire pour permettre à l'air frais de se lancer dans l'enceinte et pour que tout gaz résiduel s'échappe.

- Ne faites pas fonctionner le foyer s'il y a une fuite de gaz présente.
- N'utilisez jamais une flamme pour vérifier les fuites de gaz.
- Le maximum pression d'alimentation d'entrée: Maximum alimentation en gaz de 11 pouces W.C. (2,74kpa).
- Le régulateur de pression de gaz fourni avec le foyer doit être utilisé.
- Utilisez des réservoirs de gaz de propane liquide uniquement avec ces mesures requises: 12 pouces (diamètre) x 18 pouces (de hauteur) avec une capacité de 20 lb
- Le réservoir de propane utilisé doit inclure un collier pour protéger la valve du réservoir de gaz propane.
- Ne remplissez jamais le réservoir de gaz propane à plus de 80 %.
- Le système d'alimentation du réservoir de gaz propane doit être aménagé pour l'évacuation des vapeurs.
- N'utilisez pas de réservoir de gaz propane dont la valve est endommagée ou toute autre pièce usée. Un réservoir de gaz propane bosselé ou rouillé peut être dangereux et doit être vérifié par votre fournisseur de gaz avant utilisation.
- Ne brûlez aucun autre matériau que celui fourni avec et destiné à être utilisé dans ce foyer.
- Les pierres de lave pourraient heurter le visage ou les yeux de quelqu'un lors du démarrage initial de cet appareil, veuillez donc rester à l'écart du foyer pendant les 20 premières minutes après son allumage.
- N'utilisez pas le foyer à moins qu'il ne soit complètement assemblé et que toutes les pièces soient en place.
- Faites attention lorsque vous utilisez le foyer. Il est chaud lorsqu'il est utilisé et ne doit jamais être laissé sans surveillance. Ne le déplacez pas pendant son fonctionnement.
- N'utilisez pas ce foyer pour cuisiner.
- Ne placez aucun autre couvercle de foyer ou quoi que ce soit d'inflammable sur, sous ou autour du foyer.
- Les utilisateurs doivent être alertés des dangers liés aux températures de surface élevées et garder une distance de sécurité pour éviter les brûlures ou l'inflammation des vêtements.
- Ne vous asseyez pas sur le foyer. Ne posez pas vos pieds ou vos mains sur le foyer.
- Ne vous penchez jamais au-dessus du foyer ouvert et ne placez jamais les mains ou les doigts sur la partie supérieure d'une unité opérationnelle.
- Gardez les cordons d'alimentation électrique et le tuyau d'alimentation en carburant éloignés de toute surface chauffée.
- Les matériaux combustibles ne doivent jamais se trouver à moins de 72 pouces du haut, ni à 48 pouces de l'arrière ou des côtés du foyer.
- Ce foyer doit être surveillé à tout moment !
- Si le feu s'éteint pendant la combustion, fermez le robinet de gaz. Suivez les instructions et attendez cinq minutes avant de tenter de rallumer.
- N'utilisez pas ce foyer si une partie a été sous l'eau.
- Ne versez pas d'eau dans le foyer.
- Appelez immédiatement un technicien de service qualifié pour inspecter l'appareil et remplacer toute pièce du système de commande et toute commande de gaz qui a été sous l'eau.
- N'allumez pas et n'utilisez pas d'appareil à gaz si les pierres de lave sont mouillées. Assurez-vous que les roches de lave sont complètement sèches avant de les enflammer, car une chaleur intense pourrait les faire craquer ou éclater.
- N'essayez pas de débrancher le régulateur de gaz ou tout raccord de gaz pendant que votre foyer est en fonctionnement.
- Ne manipulez pas le foyer tant qu'il n'est pas éteint et complètement refroidi.
- Le réservoir de gaz propane doit être déconnecté lorsque le foyer n'est pas utilisé.
- Ne stockez pas de réservoir de gaz propane de rechange ou déconnecté sous ou à proximité de ce foyer, ou à proximité de tout autre foyer. If the fire pit is stored indoors, detach and leave propane gas tank outdoors.
- La pression maximale du gaz propane est de 250 psi.
- Le réservoir d'alimentation en gaz GPL doit être construit et marqué conformément aux spécifications pour les réservoirs de gaz GPL du ministère des Transports des États-Unis (DOT) ou à la norme nationale du Canada CAN/CSA-B339, Réservoirs, sphères et tubes de gaz GPL pour le transport. des marchandises dangereuses et de la commission.
- Le réservoir de gaz GPL doit être équipé d'un dispositif anti-remplissage (OPD) homologué et d'un raccord de réservoir de gaz GPL QCCI ou Type I (CGA810).

Préparation et fonctionnement

AVANT D'UTILISER LE BRÛLEUR D'EXTÉRIEUR :

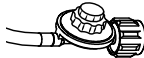
1. Installer ou faire fonctionner l'appareil dans un endroit ouvert.
2. Assurez-vous que le robinet de la bouteille ou du réservoir de propane est sur la position "OFF"



(dans le sens des aiguilles d'une montre).

3. Assurez-vous que la commande de gaz du régulateur est en position "OFF" (dans le sens inverse des aiguilles d'une

montre).



4. Inspecter l'orifice à l'extrémité du tuyau et du régulateur. Enlever tous les débris.
 - Avant chaque utilisation, vérifiez que le tuyau n'est pas endommagé, usé, coupé ou qu'il ne présente pas de fuites. Si des dommages sont constatés, le tuyau doit être remplacé avant d'utiliser l'appareil.
 - Le tuyau de remplacement doit être spécifié par le fabricant. Tenir le tuyau d'alimentation en carburant à l'écart de toute surface chauffée.

TEST DE FUITE : IMPORTANT : NE PAS FUMER PENDANT LE TEST D'ÉTANCHÉITÉ NE JAMAIS EFFECTUER DE TEST D'ÉTANCHÉITÉ AVEC UNE FLAMME OUVERTE !!!

Avant chaque utilisation, suivez les procédures ci-dessous pour vérifier l'étanchéité de l'ensemble du système. Si une odeur de gaz est détectée à tout moment, coupez l'alimentation en gaz et vérifiez immédiatement l'étanchéité de l'ensemble du système.

POUR CRÉER UNE SOLUTION SAVONNEUSE POUR LE TEST DE FUITE : Mélangez 3 cuillères à soupe de détergent à vaisselle liquide avec de l'eau jusqu'à ce que le récipient soit plein. Ensuite, utilisez un flacon pulvérisateur (assurez-vous de bien le secouer pour créer plus de bulles) ou un pinceau applicateur pour appliquer la solution sur tous les raccords, connexions et tuyaux de gaz. Avant d'effectuer le test de fuite initial, assurez-vous que la bouteille/le réservoir de propane est plein.

POUR ALLUMER LE FOYER:

1. Assurez-vous que le bouton de commande est en position « OFF ».
2. Ouvrez la porte d'accès au réservoir de propane et ouvrez lentement la valve du réservoir de gaz propane en tournant le bouton dans le sens inverse des aiguilles d'une montre, puis fermez la porte d'accès.
3. Appuyez et maintenez l'allumeur électronique pour créer des étincelles à l'intérieur de l'électrode, continuez à le maintenir.
4. Enfoncez le bouton de commande et tournez-le sur la position "High". Maintenez le bouton de commande enfoncé pour permettre au gaz de s'écouler pendant 15 secondes.
5. Si l'allumage ne se produit pas au bout de quelques secondes, relâchez le bouton de commande et tournez-le sur la position "OFF". Attendez 5 minutes pour que le gaz se dissipe, puis répétez les instructions d'allumage ci-dessus.
6. Une fois le feu allumé, l'intensité de la flamme peut être contrôlée en tournant le bouton de commande entre les positions "LOW" et "HIGH".

PROCÉDURE DE TEST DES FUITES:

1. Avant d'effectuer un test de fuite, assurez-vous qu'aucune étincelle ne peut se produire et que vous êtes dans un espace extérieur spacieux.
2. Connectez le réservoir de gaz propane au régulateur et tournez la vanne de l'unité à la position "OFF"..
3. Brossez un savon et un mélange d'eau sur toutes les connexions. Allumer l'alimentation en gaz; Si des bulles se produisent sur une connexion, il peut y avoir une fuite. Si vous sentez du gaz ou une fuite est découverte, éteignez la vanne à gaz, déconnectez le réservoir de gaz propane et n'utilisez pas l'appareil jusqu'à ce que la fuite soit réparée.
4. N'utilisez pas l'unité de chauffage sans inspecter le tuyau à gaz. S'il y a des signes d'usure ou d'abrasion, vous devez remplacer le tuyau (le cas échéant). Les pierres de Pumice / Lava Rocks / Lavaglass pourraient apparaître et frapper le visage de quelqu'un pendant le processus d'éclairage de cette unité; Éloignez-vous de l'unité pendant les 20 premières minutes après l'allumage. La hauteur de la flamme doit être une couleur jaune / bleue entre 2 et 10 pouces de hauteur.
5. Wait 50 minutes after extinguishing flame prior to placing a lid (if applicable) or protective cover on heating item.

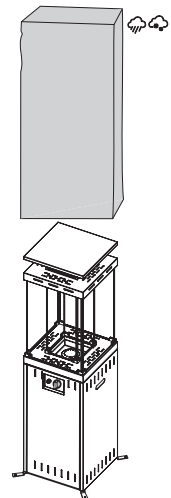
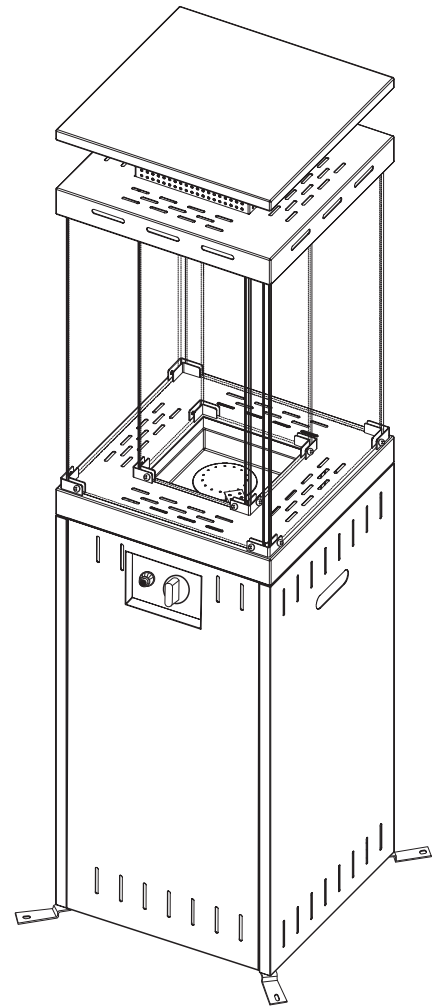
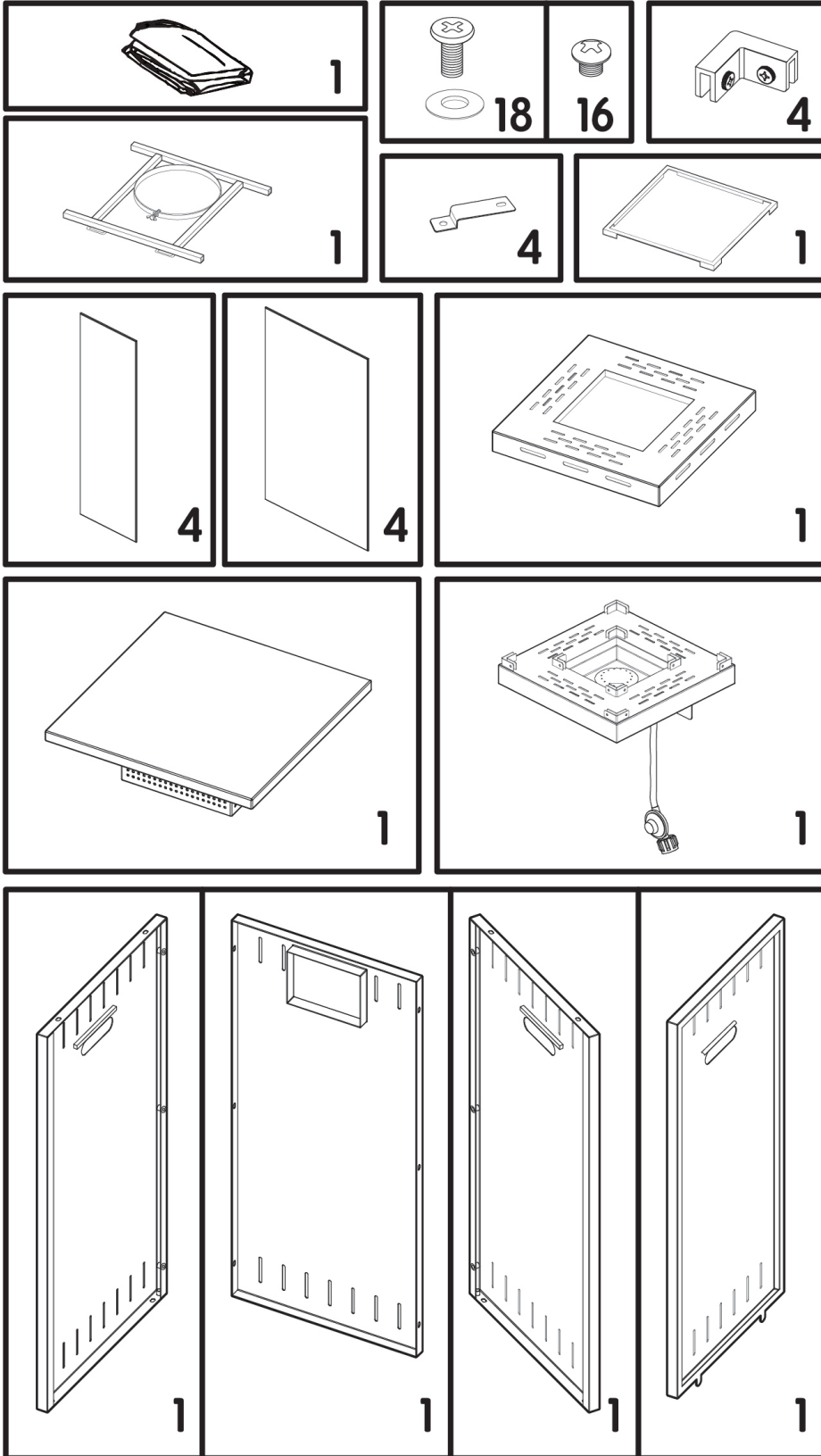
POUR ÉTEINDRE LE FOYER:

1. Tournez le bouton de commande dans le sens des aiguilles d'une montre vers la position "HIGH"; Poussez et continuez à tourner le bouton de commande en position "OFF".
2. Fermez la soupape de cylindre sur le réservoir de gaz propane si vous n'avez pas l'intention de l'utiliser pendant longtemps.

ENTRETIEN:

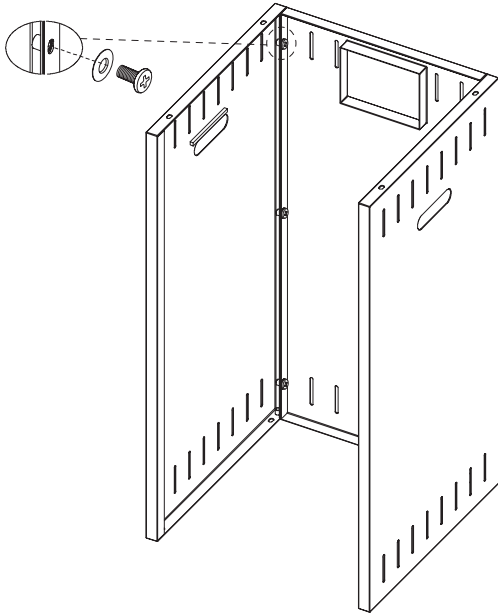
1. Gardez votre foyer libre et des matériaux combustibles.
2. Inspectez visuellement le brûleur de foyer des obstructions et gardez le foyer libre et clair des débris.
3. Une fois que le brûleur du feu et les roches de lave sont complètement refroidis, utilisez une brosse douce pour vous débarrasser des taches douces, de la saleté et du sol.
4. Essuyez avec un chiffon doux.
5. Les taches tenaces, la décoloration et les piqûres de rouille peuvent se produire après une exposition à des conditions extérieures sévères.
6. Faites attention de ne pas laisser de poudre ou de solvant entrer en contact avec des composants peints ou en plastique au fur et à mesure que des dommages peuvent se produire.
7. Conservez le foyer dans un endroit sec frais loin du soleil.
8. Le réservoir de gaz propane doit être déconnecté et retiré du foyer avant qu'il ne puisse être stocké.
9. Si votre foyer est équipé d'une batterie, assurez-vous que le gaz propane et le foyer sont désactivés avant de changer de batterie.

Liste des pieces

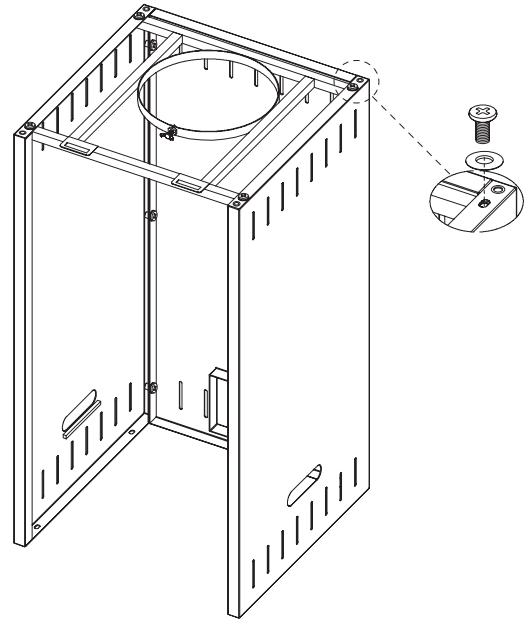


Instructions d'assemblage

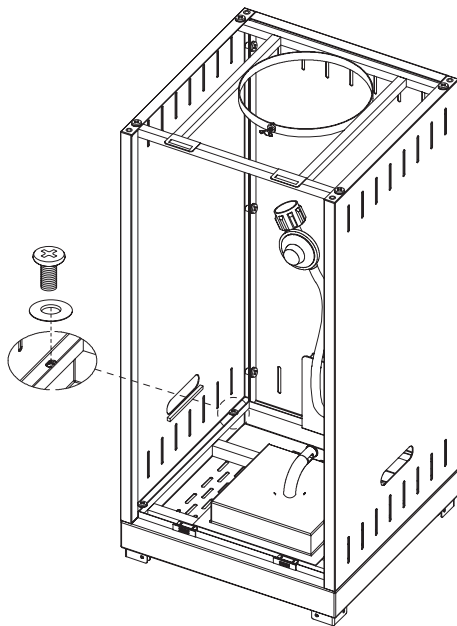
Étape 1



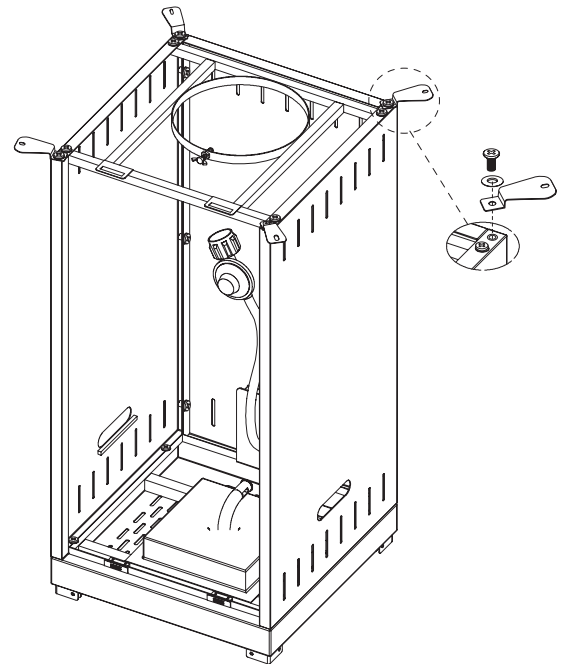
Étape 2



Étape 3

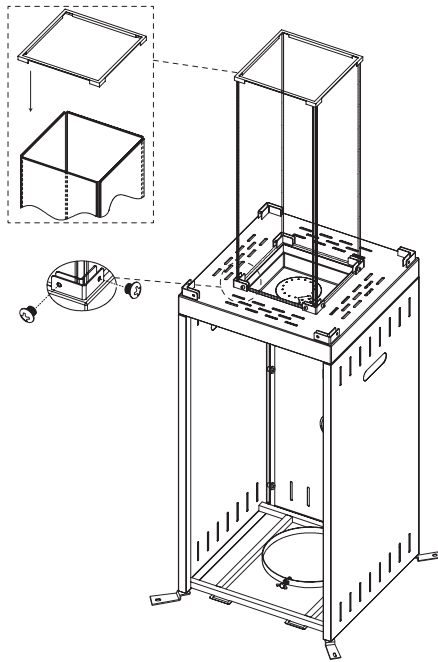


Étape 4

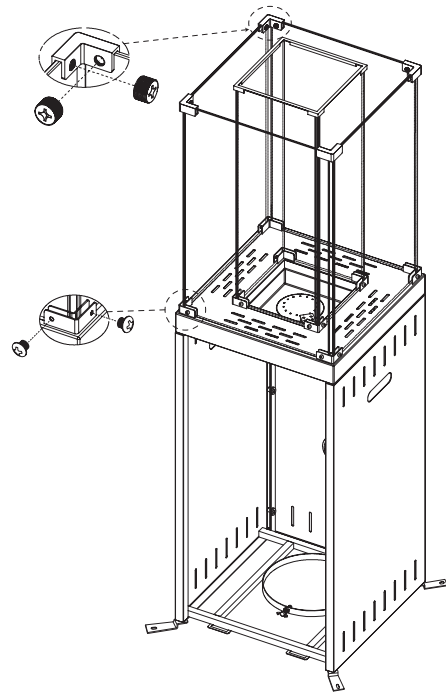


Instructions d'assemblage

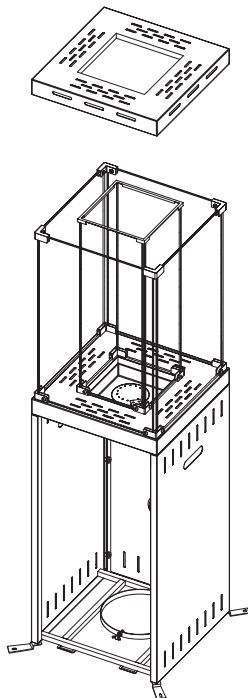
Étape 5



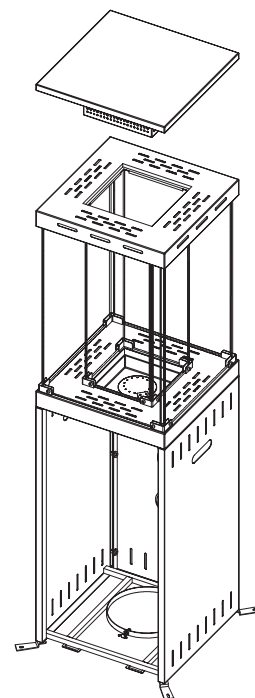
Étape 6



Étape 7



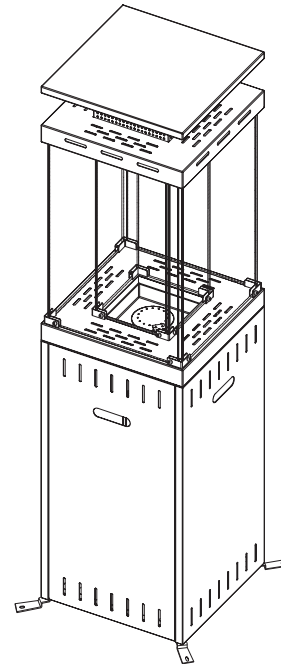
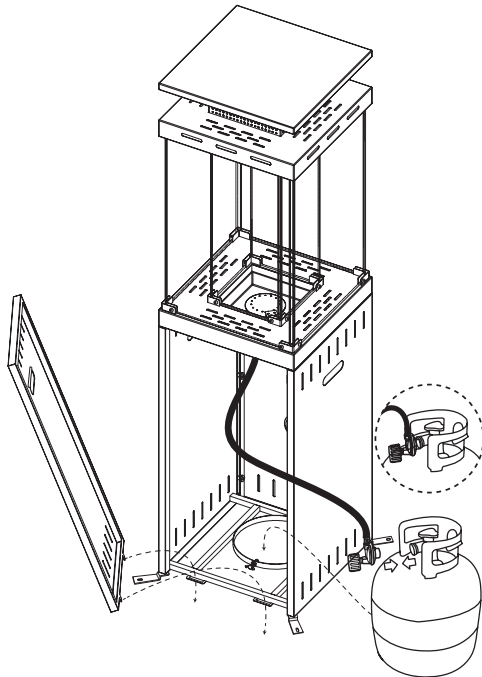
Étape 8



Instructions d'assemblage

Étape 9

Étape 10



Installation de réservoir de propane et pierres de lave

Connectez la vanne de régulation de pression au réservoir de propane (Figure E).

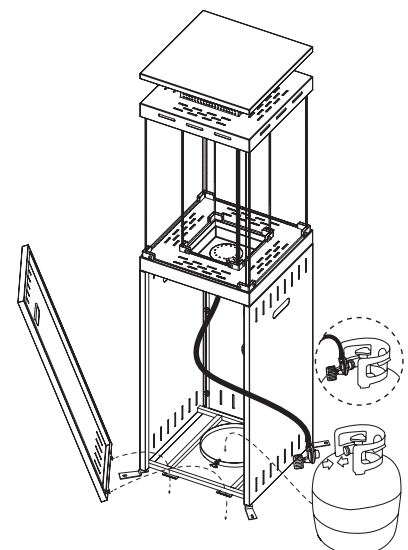
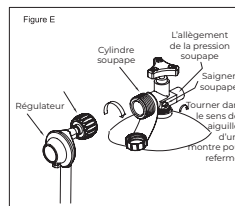
1 - Tournez le robinet de la bouteille dans le sens des aiguilles d'une montre jusqu'à l'alimentation en gaz du réservoir de propane.

2 - Vissez le raccord du régulateur dans le sens des aiguilles d'une montre (à la main uniquement). Assurez-vous qu'il est bien fixé.

Installation des pierres de lave

1 - Gardez l'écran clair. Ne placez pas de pierres de lave sur l'écran (voir figure ci-dessous).

2 - Pour éviter que la flamme ne s'éteigne, le brûleur du foyer doit être entièrement recouvert par les pierres de lave (voir figure ci-dessous).



Correct

Incorrect