

PRORUN®

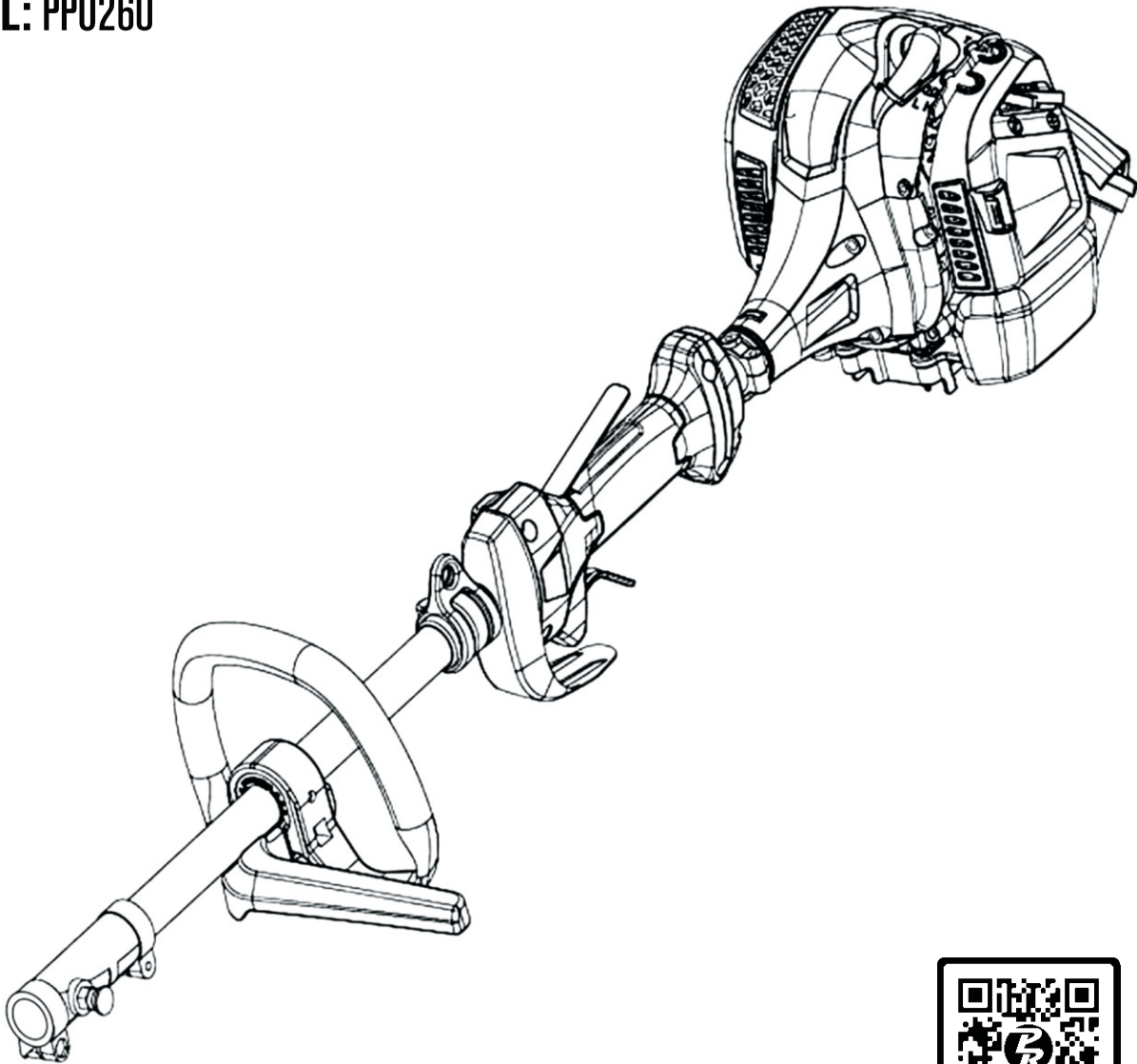
POWER and RELIABILITY™

GAS

PARTS LIST

MULTI-CUTTER POWERHEAD

MODEL: PPU260



Everything PRORUN

Please let us know what you think.
To leave a review and see our full line of products, visit:

proruntech.com ★ ★ ★ ★ ★

1-844-905-0882, info@proruntech.com

Version: B - Issue Date: 2023/03/15

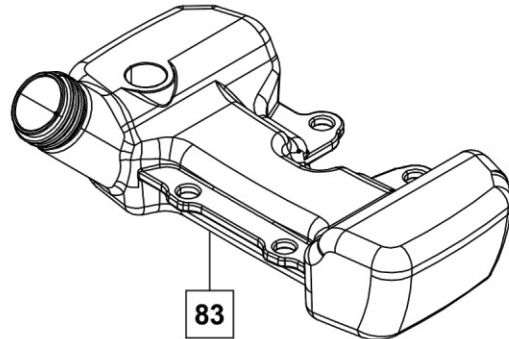


SPARE PARTS / CHASSIS AND ENCLOSURE

FUEL TANK

Part Number: 20070209

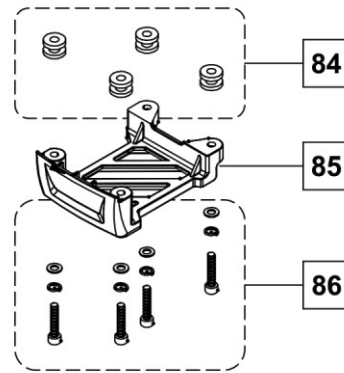
| No. | Description | Qty |
|-----|-------------|-----|
| 83 | Fuel Tank | 1 |



FUEL TANK BASE ASSEMBLY

Part Number: 68821701

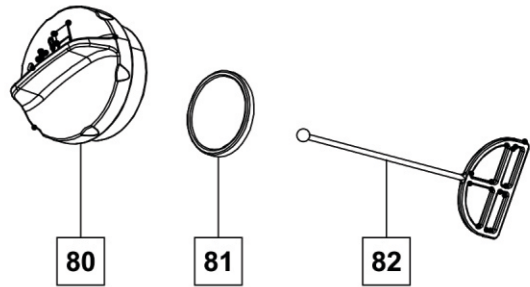
| No. | Description | Qty |
|-----|-------------------|-----|
| 84 | Rubber Bump | 4 |
| 85 | Fuel Tank Housing | 1 |
| 86 | Screw M5x25 | 4 |



FUEL TANK CAP ASSEMBLY

Part Number: 20072561

| No. | Description | Qty |
|-----|--------------------|-----|
| 80 | Fuel Tank Cover | 1 |
| 81 | Gasket Rubber | 1 |
| 82 | Anti-Falling Board | 1 |

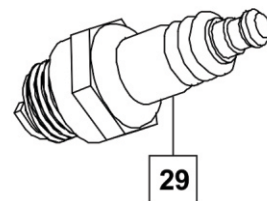


SPARE PARTS / STARTING MECHANISM

SPARK PLUG

Part Number: 20079314

| No. | Description | Qty |
|-----|-------------|-----|
| 29 | Spark Plug | 1 |



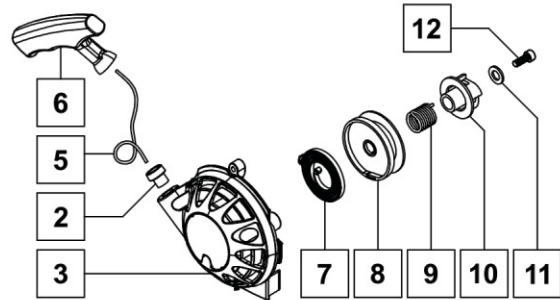


SPARE PARTS / STARTING MECHANISM

STARTER ASSEMBLY

Part Number: 68821702

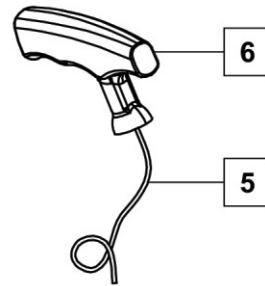
| No. | Description | Qty |
|-----|-----------------------------|-----|
| 2 | Pull Cord Sheath | 1 |
| 3 | Starter Cover | 1 |
| 5 | Starter Pull Cord | 1 |
| 6 | Start Handle | 1 |
| 7 | Coil Spring | 1 |
| 8 | Start Pulley | 1 |
| 9 | Start Spring | 1 |
| 10 | Ratchet Wheel | 1 |
| 11 | Plate Washer | 1 |
| 12 | Self-Tapping Screw ST4.8x16 | 1 |



STARTER GRIP AND ROPE ASSEMBLY

Part Number: 68821703

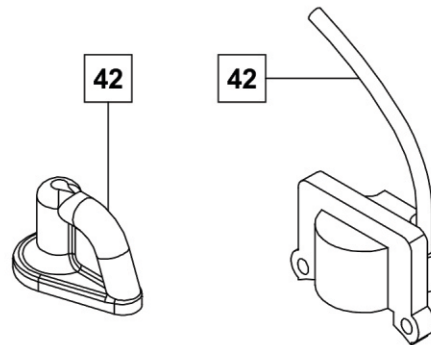
| No. | Description | Qty |
|-----|-------------------|-----|
| 5 | Starter Pull Cord | 1 |
| 6 | Start Handle | 1 |



IGNITION ASSEMBLY

Part Number: 20050977

| No. | Description | Qty |
|-----|------------------|-----|
| 36 | Igniter | 1 |
| 35 | Spark Plug Cover | 1 |

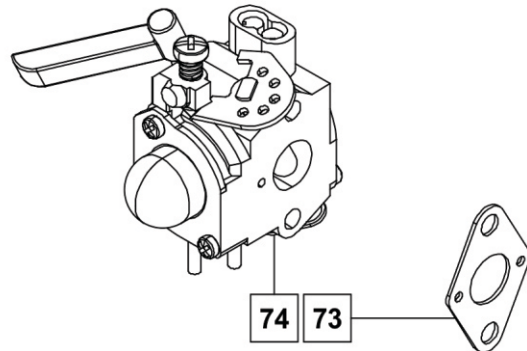


SPARE PARTS / CARBURETOR

CARBURETOR ASSEMBLY

Part Number: 68821705

| No. | Description | Qty |
|-----|---------------------|-----|
| 74 | Carburetor | 1 |
| 73 | Gasket \ Carburetor | 1 |

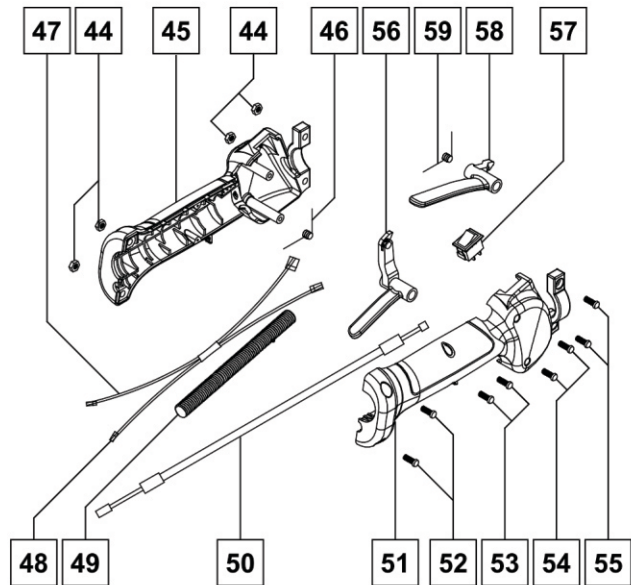


SPARE PARTS / THROTTLE CONTROL, HANDLE, AND SHAFTS

THROTTLE HANDLE ASSEMBLY (H1)

Part Number: 20072569

| No. | Description | Qty |
|-----|------------------------------|-----|
| 44 | Nut M5 | 4 |
| 45 | Plastic Handle / LH | 1 |
| 46 | Spring / Trigger | 1 |
| 47 | Wire Cable A | 1 |
| 48 | Wire Cable B | 1 |
| 49 | Bushing | 1 |
| 50 | Throttle Cable Assembly | 1 |
| 51 | Plastic Handle / RH | 1 |
| 52 | Screw M5x14 | 2 |
| 53 | Self-Tapping Screw ST3.5x9.5 | 2 |
| 54 | Self-Tapping Screw ST4.2x10 | 2 |
| 55 | Screw M5x14 | 2 |
| 56 | Trigger | 1 |
| 57 | Switch | 1 |
| 58 | Lock Trigger | 1 |
| 59 | Spring / Trigger | 1 |



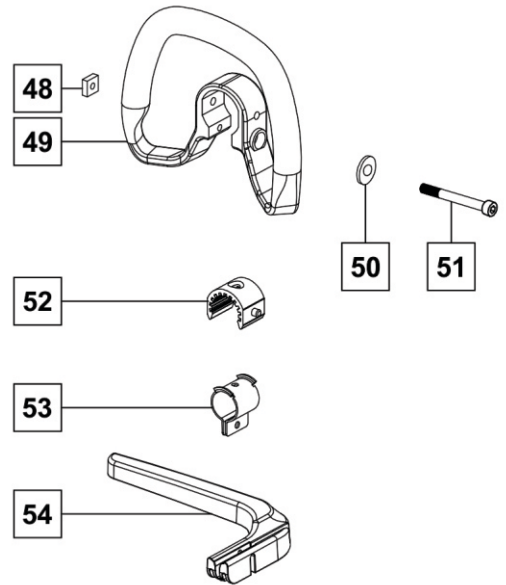


SPARE PARTS / THROTTLE CONTROL, HANDLE, AND SHAFTS

FRONT LOOP HANDLE AND BAR ASSEMBLY

Part Number: 20072570

| No. | Description | Qty |
|-----|----------------------------|-----|
| 48 | Nut M5 | 1 |
| 49 | Front Handle | 1 |
| 50 | Plate Washer | 1 |
| 51 | Locking Screw | 1 |
| 52 | Front Handle Rubber Sleeve | 1 |
| 53 | Locking Sleeve | 1 |
| 54 | Bar | 1 |

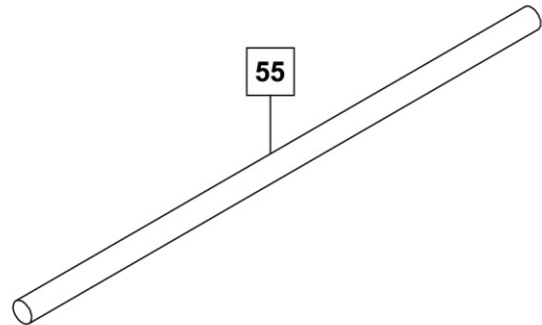


SPARE PARTS / TRIMMER HEAD, GUARD, AND BUSH CUTTER

DRIVER SHAFT

Part Number: 20054026

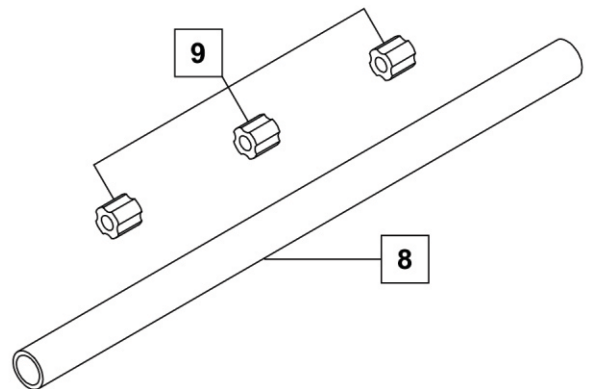
| No. | Description | Qty |
|-------|--------------|-----|
| 22/55 | Driver Shaft | 1 |



BACK SHAFT ASSEMBLY

Part Number: 20077191

| No. | Description | Qty |
|-----|----------------------|-----|
| 8 | Back Aluminum Tubing | 1 |
| 9 | Rubber \ Shaft | 3 |



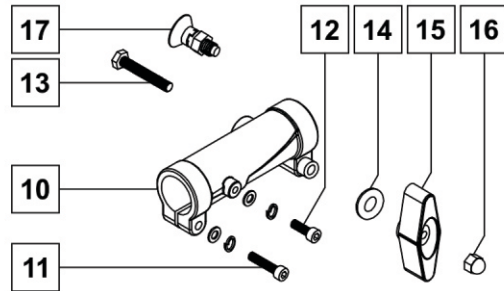


SPARE PARTS / TRIMMER HEAD, GUARD, AND BUSH CUTTER

CONNECTOR ASSEMBLY

Part Number: 20085833

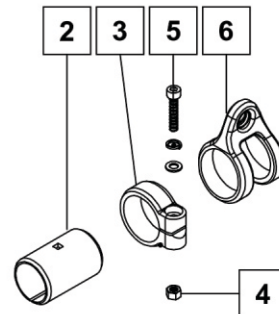
| No. | Description | Qty |
|-----|--------------------|-----|
| 10 | Connector Assembly | 1 |
| 11 | Screw M5x25 | 1 |
| 12 | Screw M5x12 | 1 |
| 13 | Screw M6x50 | 1 |
| 14 | Plate Washer 6 | 1 |
| 15 | Lock Knob | 1 |
| 16 | Nut M6 | 1 |
| 17 | Latch Bolt | 1 |



HARNESS CLAMP ASSEMBLY

Part Number: 68821706

| No. | Description | Qty |
|-----|---------------|-----|
| 2 | Sleeve 26 | 1 |
| 3 | Clamp | 1 |
| 4 | Nut M5 | 1 |
| 5 | Screw M5x22 | 1 |
| 6 | Harness Clamp | 1 |

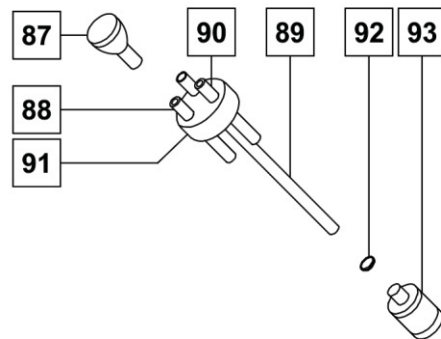


SPARE PARTS / FILTER AND ACCESSORIES

FUEL FILTER ASSEMBLY

Part Number: TBD00000

| No. | Description | Qty |
|-----|--------------------|-----|
| 87 | Balancer | 1 |
| 88 | Air Tube | 1 |
| 89 | Fuel Tube | 1 |
| 90 | Return Tube | 1 |
| 91 | Retainer Fuel Tube | 1 |
| 92 | Snap Ring | 1 |
| 93 | Fuel Filter | 1 |



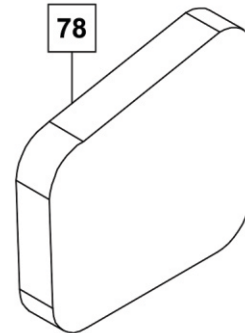


SPARE PARTS / FILTER AND ACCESSORIES

AIR FILTER / FOAM

Part Number: 20058398

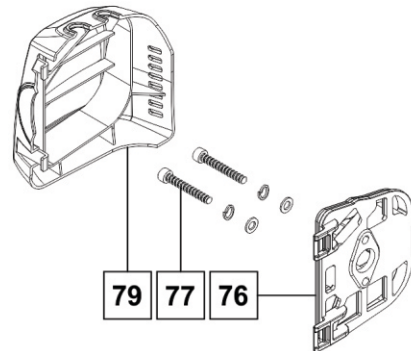
| No. | Description | Qty |
|-----|-------------------|-----|
| 78 | Air Filter / Foam | 1 |



AIR FILTER HOUSING ASSEMBLY

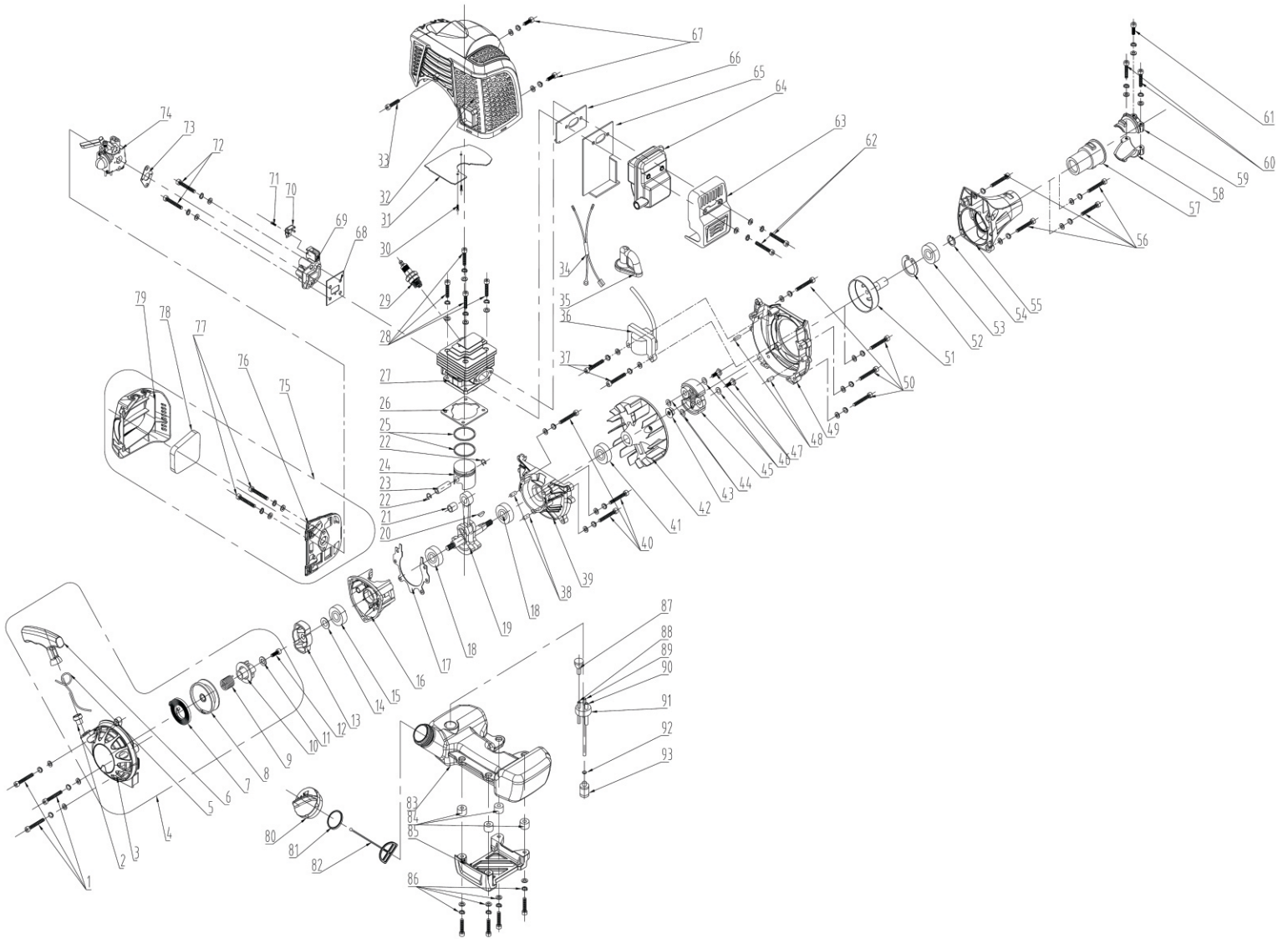
Part Number: 20085776

| No. | Description | Qty |
|-----|--------------------------|-----|
| 79 | Air Filter Housing Cover | 1 |
| 76 | Air Filter Housing Base | 1 |
| 77 | Screw M5x45 | 2 |





ASSEMBLY PARTS LIST



ASSEMBLY PARTS LIST

| No. | Description | Qty |
|-----|-----------------------------|-----|
| 1 | Screw M5x12 | 3 |
| 2 | Pull Cord Sheath | 1 |
| 3 | Starter Cover | 1 |
| 4 | Starter Assembly | 1 |
| 5 | Starter Pull Cord | 1 |
| 6 | Start Handle | 1 |
| 7 | Coil Spring | 1 |
| 8 | Start Pulley | 1 |
| 9 | Start Spring | 1 |
| 10 | Ratchet Wheel | 1 |
| 11 | Plate Washer | 1 |
| 12 | Self-Tapping Screw ST4.8x16 | 1 |
| 13 | Start Reel | 1 |
| 14 | Washer 8 | 1 |
| 15 | Oil-Seal 12x22x7 | 1 |
| 16 | Crankcase RH | 1 |
| 17 | Gasket \ Crankcase | 1 |
| 18 | Bearing 6001 | 2 |
| 19 | Crank Shaft Assembly | 1 |
| 20 | Key 3x3.5x10 | 1 |
| 21 | Bearing 6001 8x11x11 | 1 |
| 22 | Circlip \ Piston Pin | 2 |
| 23 | Piston Pin | 1 |
| 24 | Piston | 1 |
| 25 | Piston Ring | 2 |
| 26 | Gasket \ Cylinder | 1 |
| 27 | Cylinder | 1 |
| 28 | Screw M5x20 | 4 |
| 29 | Spark Plug | 1 |
| 30 | Self-Tapping Screw ST4.2x8 | 2 |
| 31 | Air Deflector | 1 |
| 32 | Top Housing | 1 |
| 33 | Self-Tapping Screw ST4.8x16 | 1 |
| 34 | Wire | 1 |
| 35 | Spark Plug Cover | 1 |
| 36 | Igniter | 1 |
| 37 | Screw M5x20 | 2 |
| 38 | Pin Φ 5x10 | 2 |
| 39 | Crankcase LH | 1 |

| No. | Description | Qty |
|-----|---------------------|-----|
| 40 | Screw M5x25 | 3 |
| 41 | Oil-Seal 12x22x7 | 1 |
| 42 | Magneto Rotor | 1 |
| 43 | Flange Nut M8x1 | 1 |
| 44 | Flat Washer | 2 |
| 45 | Clutch Assembly | 1 |
| 46 | Elastic Washer M8 | 2 |
| 47 | Bolt / Clutch | 2 |
| 48 | Pin Φ 4x10 | 2 |
| 49 | Fan Cover | 1 |
| 50 | Screw M5x20 | 4 |
| 51 | Passive Disk | 1 |
| 52 | Circlip 35 | 1 |
| 53 | Bearing 6202 | 1 |
| 54 | Circlip 15 | 1 |
| 55 | Clutch Drum Housing | 1 |
| 56 | Screw M6x20 | 4 |
| 57 | Rubber | 1 |
| 58 | Clamp RH | 1 |
| 59 | Clamp LH | 1 |
| 60 | Screw M5x25 | 2 |
| 61 | Screw M5x12 | 1 |
| 62 | Screw M5x52 | 2 |
| 63 | Muffler Heat Shield | |
| 64 | Muffler | 1 |
| 65 | Gasket \ Muffler | 1 |
| 66 | Gasket \ Muffler | 1 |
| 67 | Screw M4x12 | 2 |
| 68 | Gasket | 1 |
| 69 | Admitting Pipe | 1 |
| 70 | Stamping | 1 |
| 71 | Screw M4x6 | 1 |
| 72 | Screw M5x20 | 2 |
| 73 | Gasket \ Carburetor | 1 |
| 74 | Carburetor | 1 |
| 75 | Air Box Assembly | 1 |
| 76 | Air Box Base | 1 |
| 77 | Screw M5x45 | 2 |
| 78 | Air Filter | 1 |



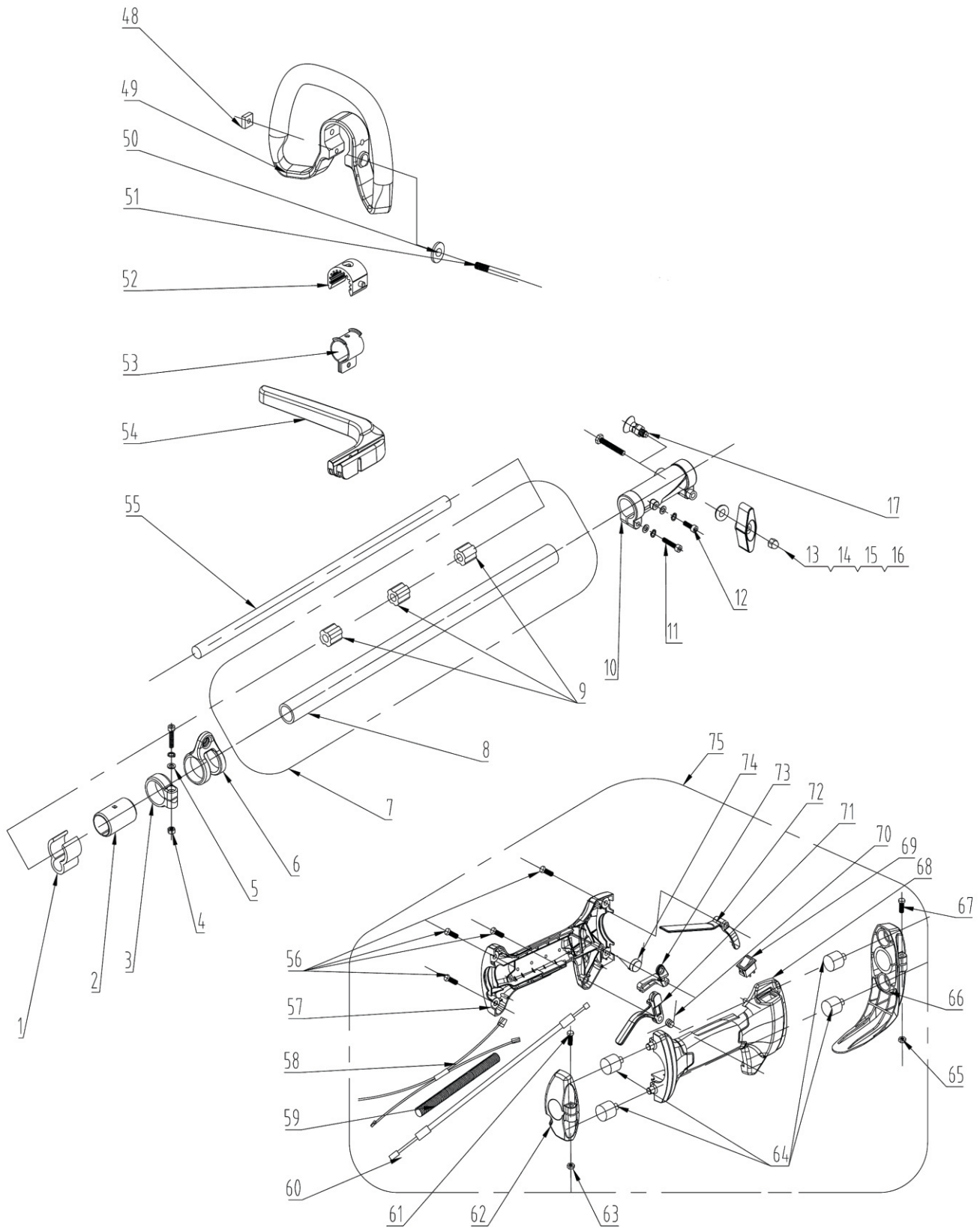
ASSEMBLY PARTS LIST

| No. | Description | Qty |
|-----|--------------------|-----|
| 79 | Air Box Cover | 1 |
| 80 | Fuel Tank Cover | 1 |
| 81 | Gasket Rubber | 1 |
| 82 | Anti-Falling Board | 1 |
| 83 | Fuel Tank | 1 |
| 84 | Rubber Bump | 4 |
| 85 | Fuel Tank Housing | 1 |
| 86 | Screw M5x25 | 4 |

| No. | Description | Qty |
|-----|--------------------|-----|
| 87 | Balancer | 1 |
| 88 | Air Tube | 1 |
| 89 | Fuel Tube | 1 |
| 90 | Return Tube | 1 |
| 91 | Retainer Fuel Tube | 1 |
| 92 | Snap Ring | 1 |
| 93 | Fuel Filter | 1 |



ASSEMBLY PARTS LIST



**ASSEMBLY PARTS LIST**

| No. | Description | Qty |
|-----|------------------------|-----|
| 1 | Cord Holder | 1 |
| 2 | Sleeve 26 | 1 |
| 3 | Clamp | 1 |
| 4 | Nut M5 | 1 |
| 5 | Screw M5x22 | 1 |
| 6 | Harness Clamp Assembly | 1 |
| 7 | Rear Shaft Assembly | 1 |
| 8 | Rear Aluminum Tubing | 1 |
| 9 | Rubber / Shaft | 3 |

| No. | Description | Qty |
|-----|--------------------|-----|
| 10 | Connector Assembly | 1 |
| 11 | Screw M5x25 | 1 |
| 12 | Screw M5x12 | 1 |
| 13 | Screw M6x50 | 1 |
| 14 | Plate Washer 6 | 1 |
| 15 | Lock Knob | 1 |
| 16 | Nut M6 | 1 |
| 17 | Latch | 1 |

| No. | Description | Qty |
|-----|-----------------------------|-----|
| 48 | Front Handle | 1 |
| 49 | Nut M5 | 1 |
| 50 | Plate Washer | 1 |
| 51 | Locking Screw | 1 |
| 52 | Front Handle Rubber Sleeve | 1 |
| 53 | Locking Sleeve | 1 |
| 54 | Bar | 1 |
| 55 | Driver Shaft | 1 |
| 56 | Self-Tapping Screw ST4.8x13 | 4 |
| 57 | Plastic Handle LH | 1 |
| 58 | Wire Cable A | 1 |
| 59 | Wire Cable B | 1 |
| 60 | Throttle Cable Assembly | 1 |
| 61 | Screw M5x16 | 1 |

| No. | Description | Qty |
|-----|---------------------------|-----|
| 62 | Rear Handle Base | 1 |
| 63 | Nut M5 | 1 |
| 64 | Rear Handle Rubber Sleeve | 4 |
| 65 | Nut M5 | 1 |
| 66 | Front Handle Guard | 1 |
| 67 | Screw M5x16 | 1 |
| 68 | Plastic Handle RH | 1 |
| 69 | Switch | 1 |
| 70 | Spring / Trigger A | 1 |
| 71 | Trigger | 1 |
| 72 | Lock Trigger | 1 |
| 73 | Connecting Rod | 1 |
| 74 | Spring / Trigger B | 1 |
| 75 | Rubber Handle | 1 |

PRORUN regularly improves our products, and you may find slight differences between your machine and descriptions contained within this parts list. Modifications can be made to the machine without notice and without the obligation to update the operator's manuals, provided that the essential safety and functional characteristic remain unaltered. Contact PRORUN Customer Service with any questions and current specifications.