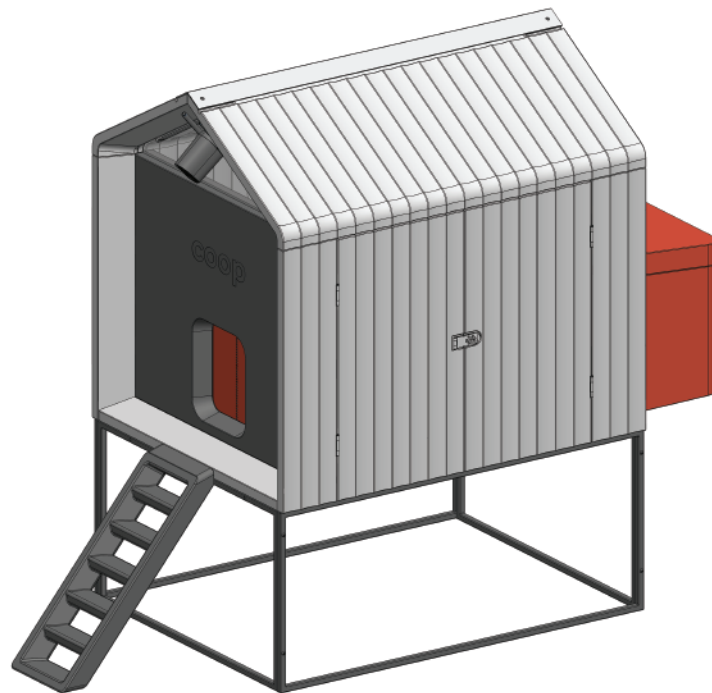


# The Coop



**assembly manual**

**coop**





Hey Farmer!

We're so excited for you to experience our coop in your backyard. This manual will guide you through the assembly of coop step by step. We've worked hard to make assembly easy for anyone, so no need to get your feathers in a ruffle.

To get started, unpack all boxes lay out their contents and review the parts to familiarize yourself with each piece, screw and gasket. Keep metal parts separated from plastic ones. The assembly will start from frame base followed by the coop assembly on top of it.

**NOTE! CAMERAS CONNECTIVITY IS CRUCIAL FOR YOUR COMPLETE EXPERINCE. DOWNLOAD COOP APP, SET UP CAMERAS AND MAKE SURE THEY HAVE GOOD WI-FI CONNECTION IN THE SPOT YOU PLAN TO PLACE YOUR CHICKEN COOP.**

We recommend having a buddy and setting aside about **one hour** for assembly. **We strongly suggest to watch our short video guides before starting, where we cover best practices of this job.**

**NOTE! All directional instructions are based of inside facing the small chicken door in both plastic shelter and chicken run.**

**Please watch a 5 minutes assembly video  
BEFORE proceeding**



**Base Frame**

**Coop**



**WARNING:** Panels are not expected to balance on their own before they are screwed together. Make sure the assembly spot you defined is not accessible by children or small pets. In case a panel falls before it gets connected to other panels, it may cause serious or fatal injuries.

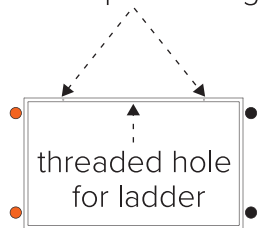
# CONTENTS

Diagrams Of Parts.....	5
Support Frame Assembly.....	8
Chicken Coop Assembly.....	13
Automatic Chicken Door Details.....	29
Cameras Set Up.....	32
FAQ.....	39

# Diagram of Parts

# Support Frame

Through holes  
for coop mounting



Support Front Panel

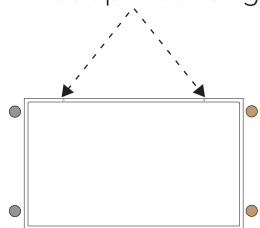


Support Left Panel



Support Right Panel

Through holes  
for coop mounting



Support Rear Panel

**actual size**

x8 long      x8 gasket

This block shows a screw and a gasket. The screw is a long, thin metal screw with a hexagonal head. The gasket is a flat, circular ring. Below the screw is the text 'x8 long' and below the gasket is the text 'x8 gasket'.



x1  
screwdriver

# Coop



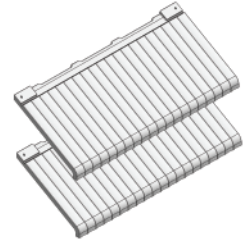
Base Panel



Right Wall



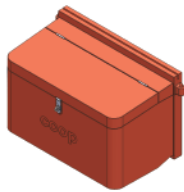
Left Wall with Doors



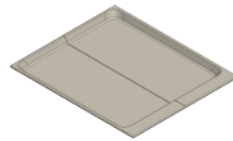
Two Roof Panels



Front Panel  
with Chicken Door



Nesting Box



Compostable Litter Tray



Chicken Ladder



Front Window  
with Camera Mount



Rear Window  
with Camera Mount



Roof Cap



Two Roosting Bars

## actual size



x10

1-1/2" Silver Screws



x4

1-1/2" Black Screws



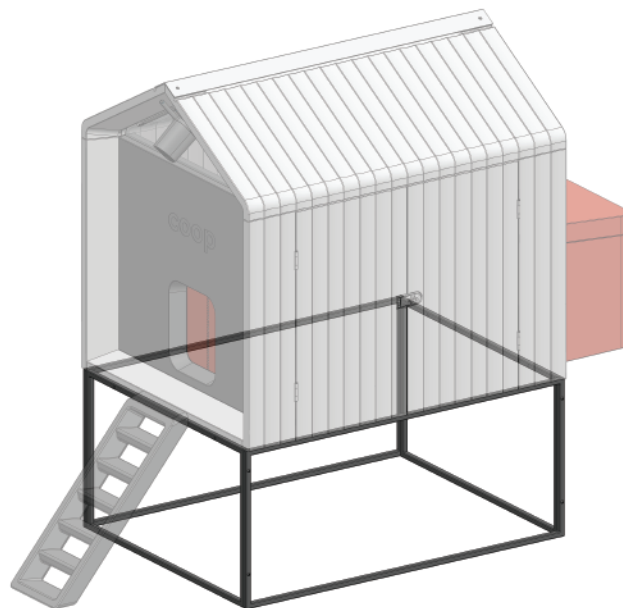
x4

3/4" Silver Screws



1" Thumb Screw

# Support frame assembly general guidance

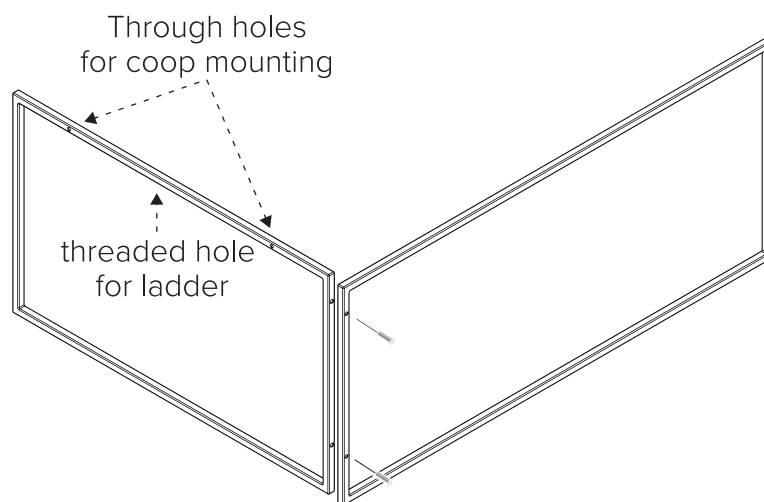
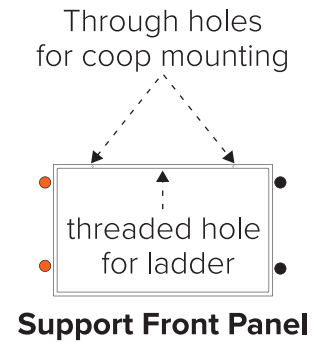
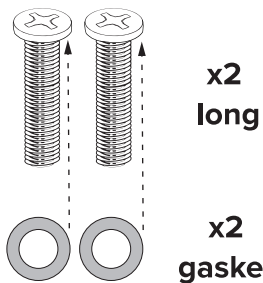


- Make sure you do your assembly on an even ground. It will allow you to do it faster as screw holes between panels will be easier to match.
- Please use the provided gaskets on each screw for assembly of the metal frame. We recommend to put one gasket on each machine screw before putting the panels together.
- Use our handy sticker system for support frame: match up the colored dots, making sure a orange dot on one panel corresponds to a neighboring orange dot on another one. The stickers will prevent confusion. After assembly is done, stickers will not be visible. If any of them sticking out feel free to remove them altogether.

Let's get going! One small step for you, one giant leap for hen-kind!

# step #1

## what you need



Find the **Support Front Panel**, which will have a threaded hole for ladder on the inner of it.

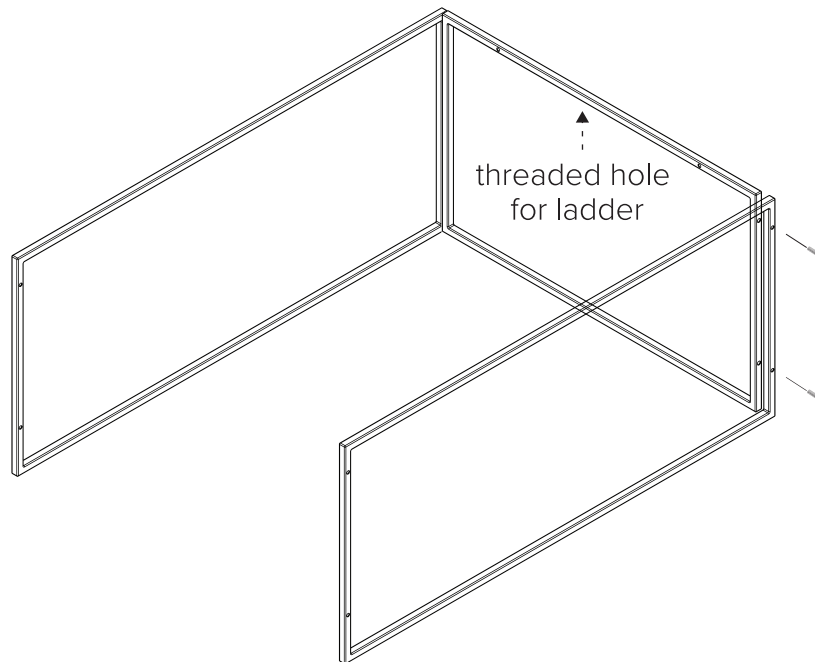
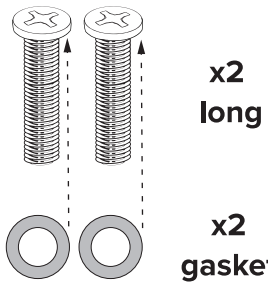
Identify **Support Left Panel** that has **orange dot stickers**.

Form a 90-degree angle between these two panels, matching the **orange dot stickers** such that through holes on **Support Front Panel** are at the top.

**Gaskets** for screws need to slide all the way to the screw cap. Avoid over tightening for easy assembly later. You'll tighten screws firmly at the end.

## step #2

### what you need

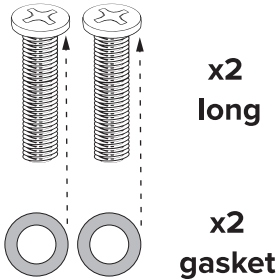


Repeat the previous steps using **Support Right Panel**, matching **black dot stickers** on **Support Right Panel** and **Support Front Panel**.  
Do not tighten screws too much just yet.

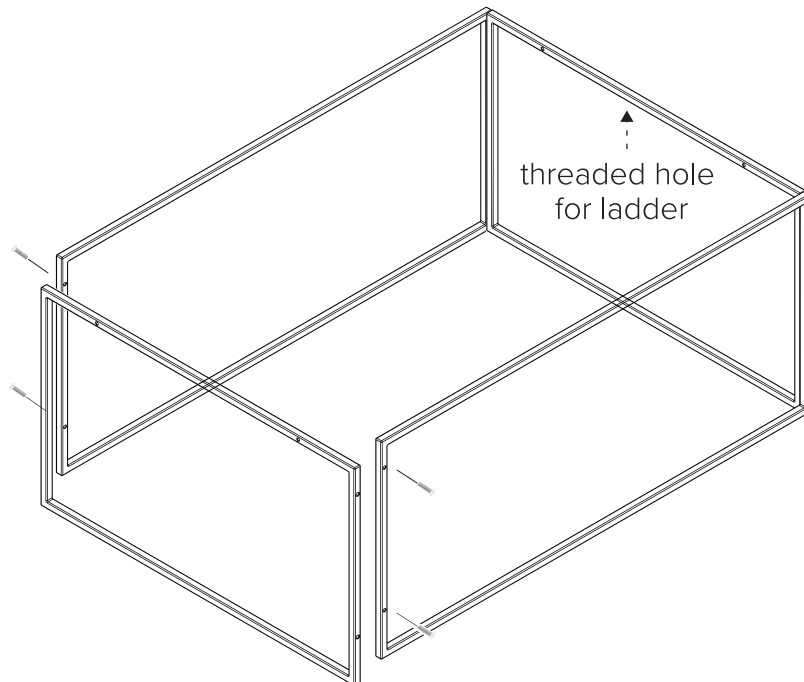


## step #3

### what you need



Through holes  
for coop mounting



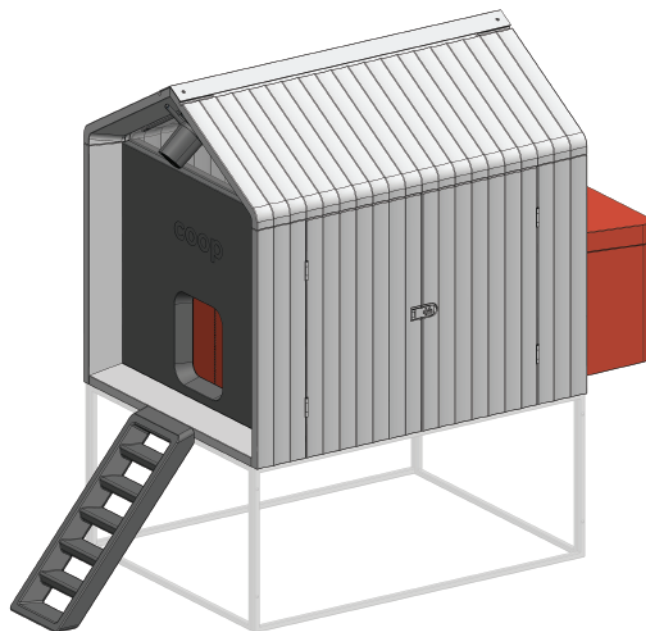
Locate the last metal panle with two **golden stickers** and two **silver stickers**.

Match the **golden** and **silver** stickers then put in two screws on the right and two screws on the left side.

At this point tighten all screws up and move on to the coop assembly on top of this frame.



# Chicken coop assembly general guidance



- We recommend to use **electric screw driver** (not included) to screw parts together. You can use included manual screwdriver, but it will be much easier with an electric one.
- As you screw parts together you need to remove any gaps between parts you connect. Here's an easy technic to firmly connect several layers of plastic: drive each screw in till about 1/2" of it left, then screw it out by about 1/2" and then crew in till the end.

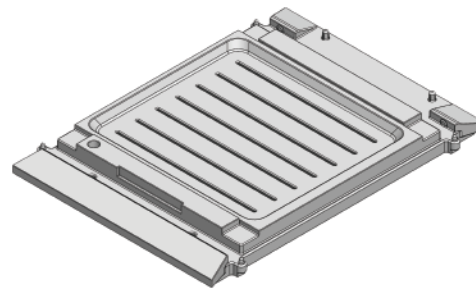
Let's get going! Ready, Set, Cluck!

# step #1

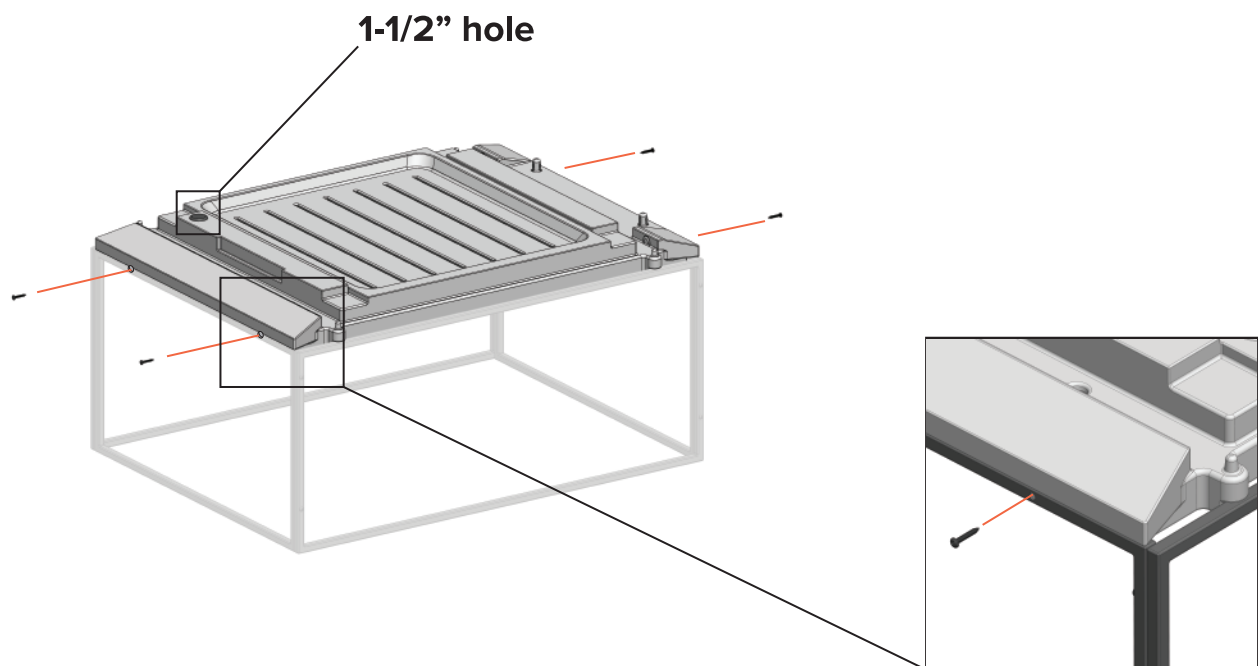
## what you need



x4  
1-1/2" Black Screws



Floor Panel

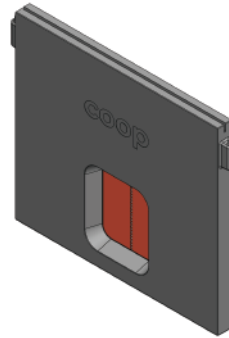


- Place the Floor Panel on the metal support frame, making sure the 1-1/2" hole is facing up and closest to the front of the coop. This hole is intended for electrical cable if you need electricity inside the coop. Keep this hole open during the summer time for increased ventilation.
- The flat surface of the Floor Panel should be facing down.
- Insert the four black 1-1/2" screws via the through-holes in the metal frame (two on each side) and drive them through plastic using the provided screwdriver.

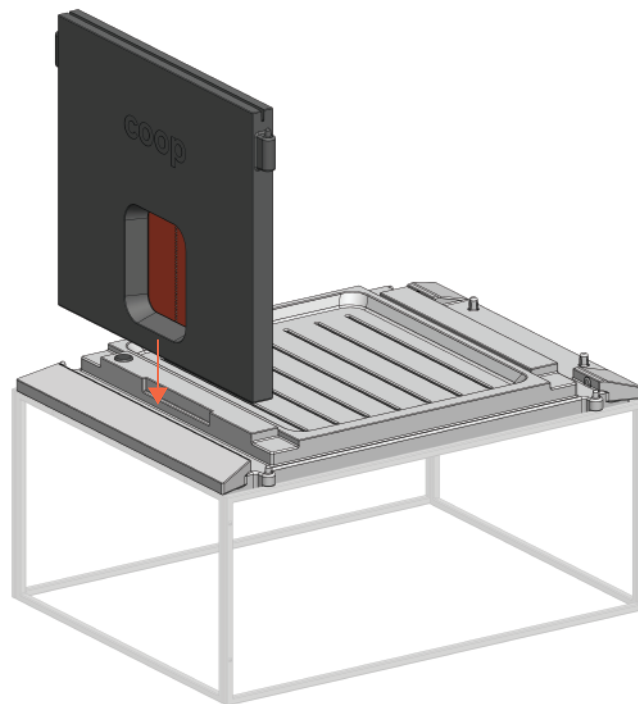
**Avoid overtightening the screws. A half turn of a screwdriver after meeting resistance from the metal frame is sufficient.**

## step #2

### what you need



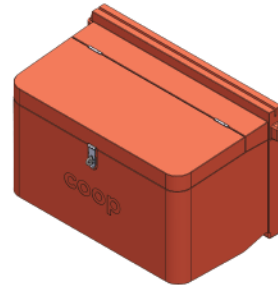
**Front Panel**  
with pre-installed Chicken Door



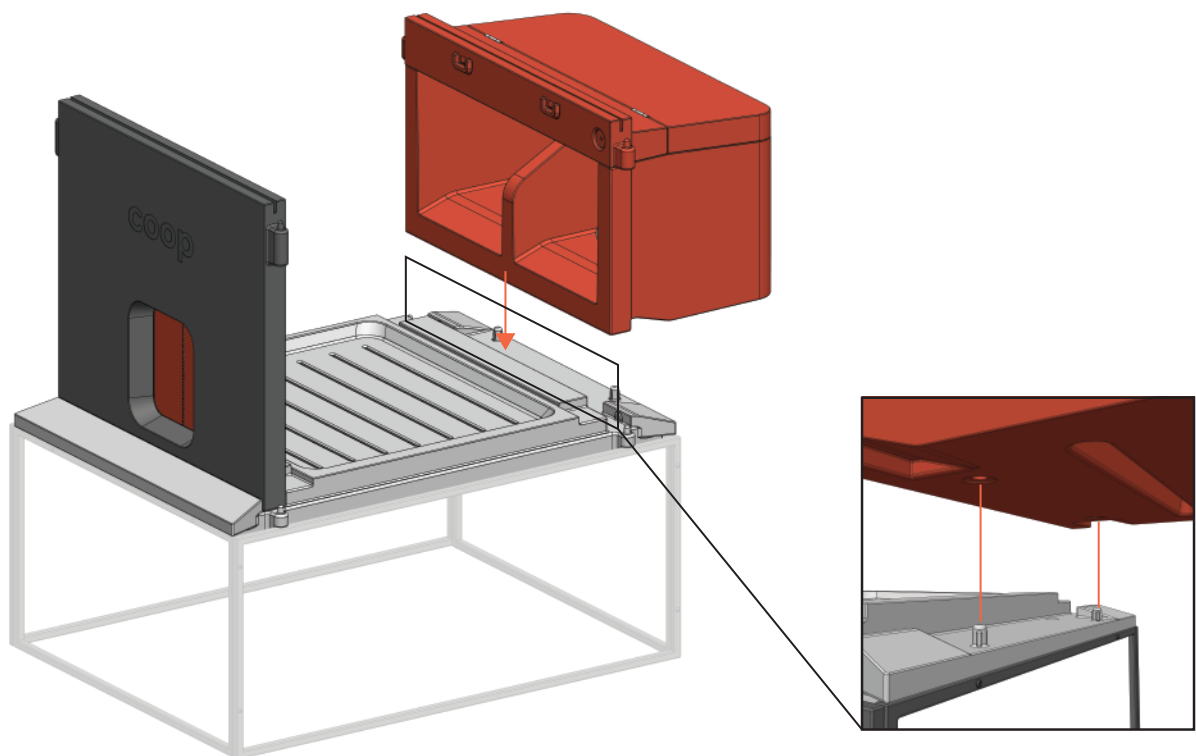
- Slide in the Front Panel from the top, ensuring that the automated chicken door's black control block faces the inside of the Coop.

## step #3

### what you need



Nesting Box



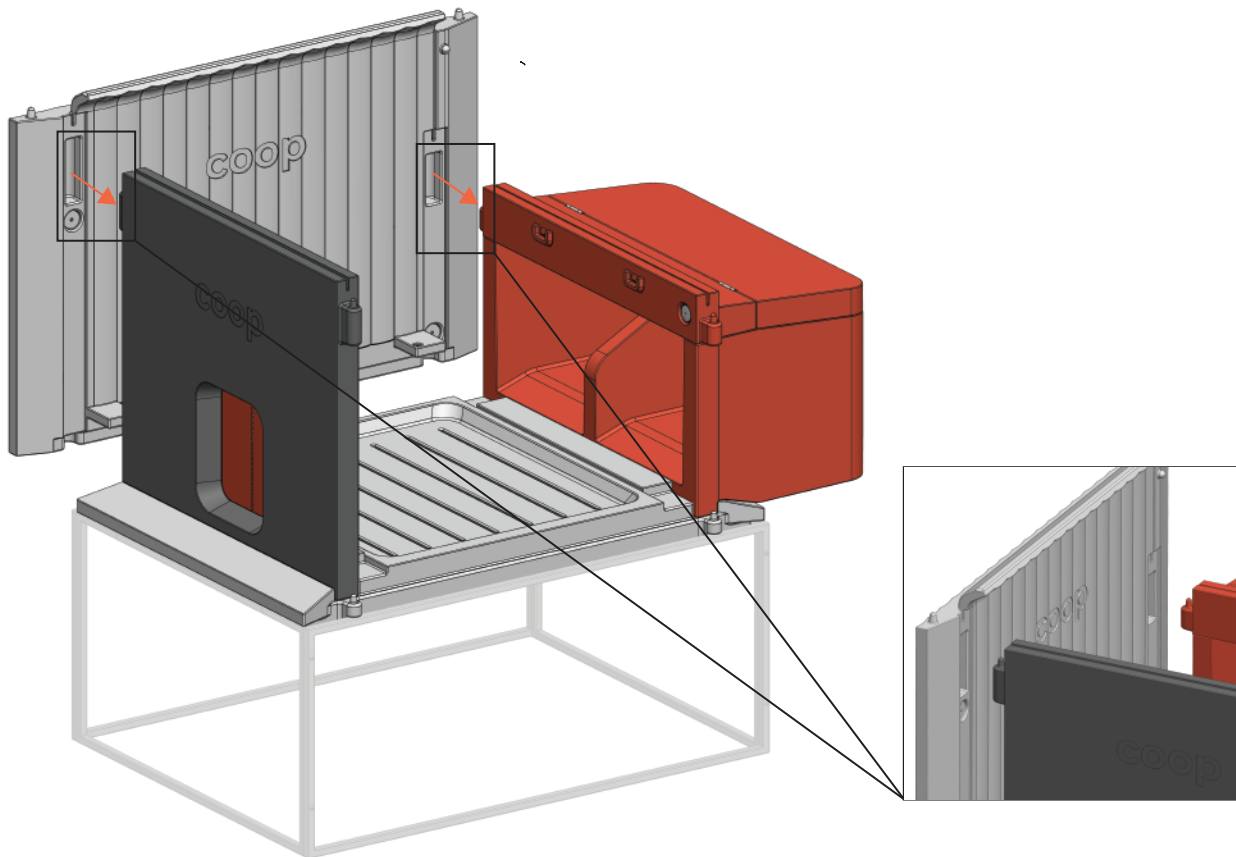
- Slide in the Nesting Box with its lid from the top.
- Match the pegs from the Floor Panel with the recesses on the Nesting Box.
- Ensure a snug fit between the Nesting Box and Floor Panel.

## step #4

### what you need



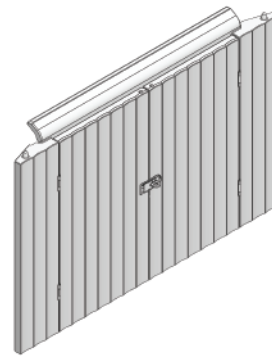
Right Wall Panel



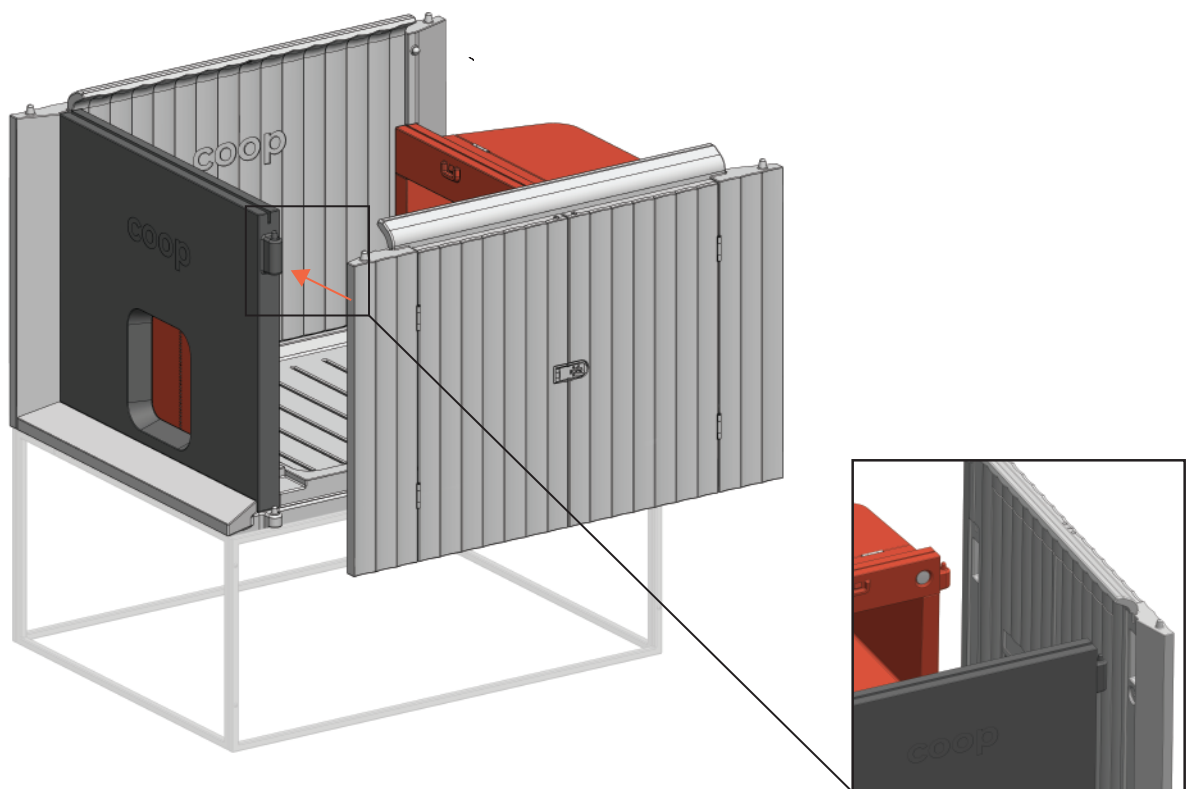
- Attach the Right Wall Panel from the side
- Match the pegs on the Front Wall and Nesting Box with the recesses in the Wall Panel and press down firmly.
- Ensure all pegs fit securely into their corresponding recesses.
- **Ensure that the Coop logo faces the interior of coop.**

## step #5

### what you need



Left Wall Panel



- Install the Left Wall Panel in the same manner as the previous step.
- Ensure the pre-installed swing doors open outwards.
- Ensure the panel feels secure and aligns properly with the surrounding panels.

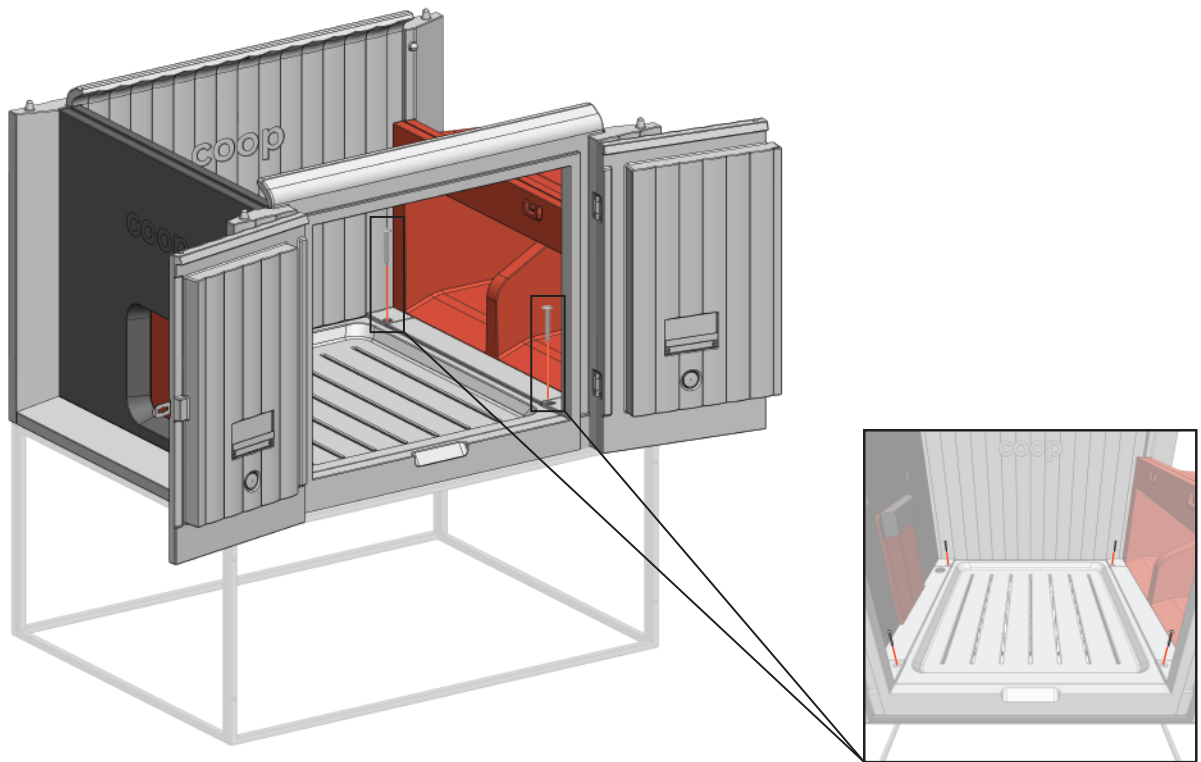


## step #6

### what you need



1-1/2" Silver Screws



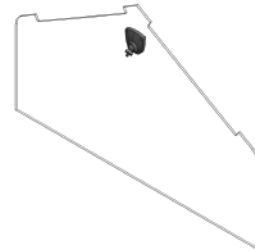
- Insert the 4 1-1/2" Long Silver Screws into the circular spots in each corner of the Coop.
- Tighten the screws firmly, ensuring the Wall Panels are securely fastened with the Floor Panel.

## step #7

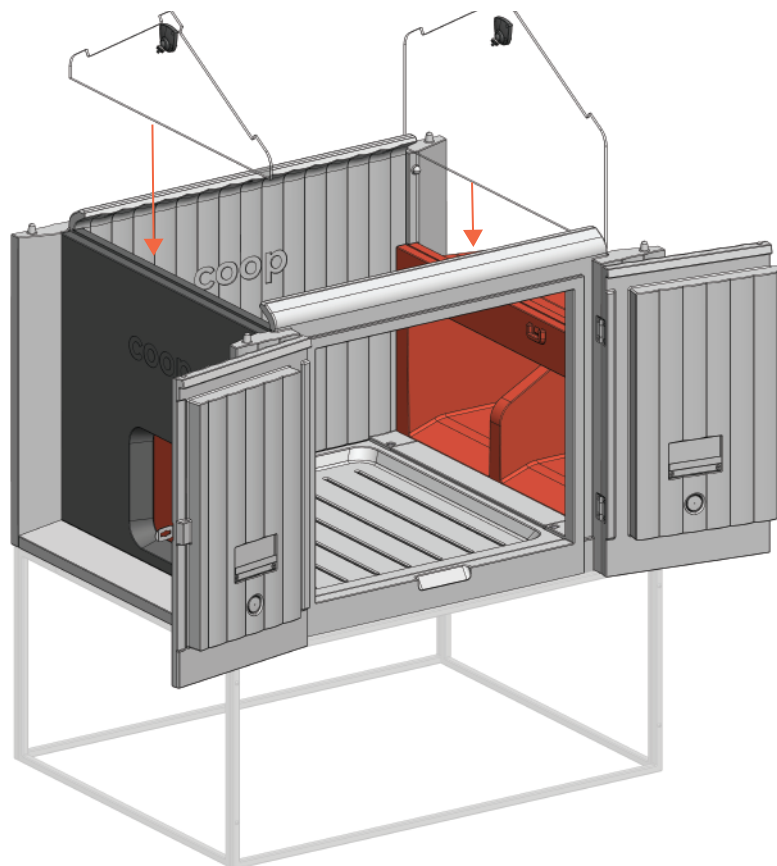
### what you need



Front Window



Rear Window



- Install the smaller Front Window by sliding it vertically into the recessed slot on the Front Panel. **Ensure that the camera mount is facing out.**
- Insert the Rear Window by sliding it vertically from the top into the recessed slot on the Nesting Box. **Ensure that the camera mount faces the interior of the coop.**

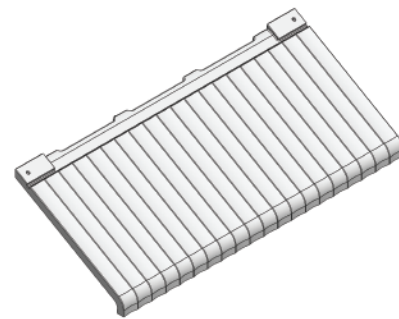
**NOTE! Never use glass cleaner on acrylic windows as this will make them misty.**

## step #8

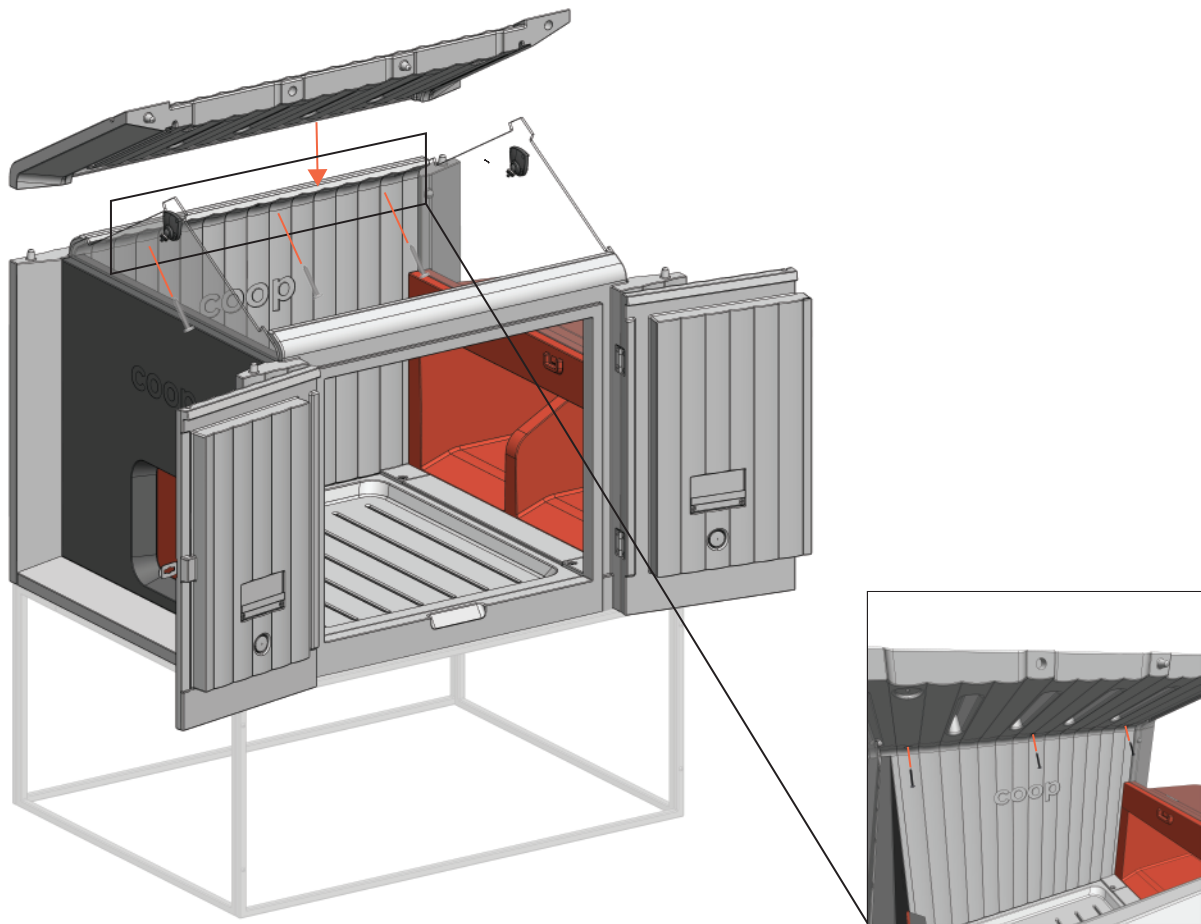
### what you need



1-1/2" Silver Screws



Left Roof Panel



**Note: The Roof Panels are identical. It does not matter which Panel goes on which side.**

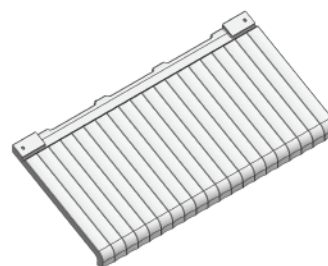
- Place one Roof Panel onto the top of coop, ensuring the windows slide into the recessed slots.
- Hold the Roof Panel in place, and insert three 1-1/2" Silver Screws from the inside, and screw in securely to connect the Wall Panels with the Roof Panel.
- Locate the spots for screws on the opposite wall for the next step.

## step #9

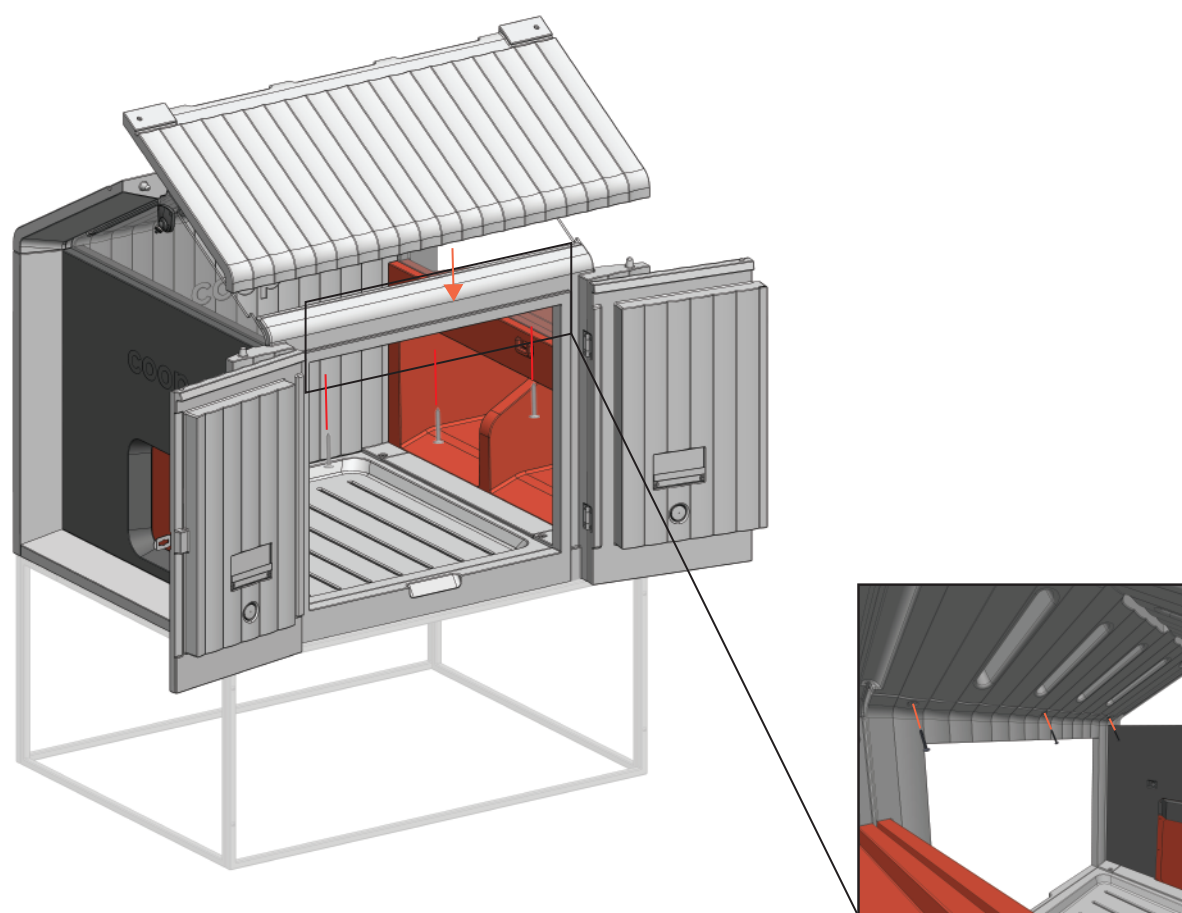
### what you need



1-1/2" Silver Screws



Right Roof Panel



- Place the other Roof Panel on top of coop, ensuring the windows slide into the recessed slots.
- Slightly lift the top section of the Right Roof Panel and connect pegs with recesses on the top of the Left Roof Panel.
- Insert three 1-1/2" Silver Screws to connect the Left Wall Panel with the Left Roof Panel.
- Ensure all screws are tightened securely.

## step #10

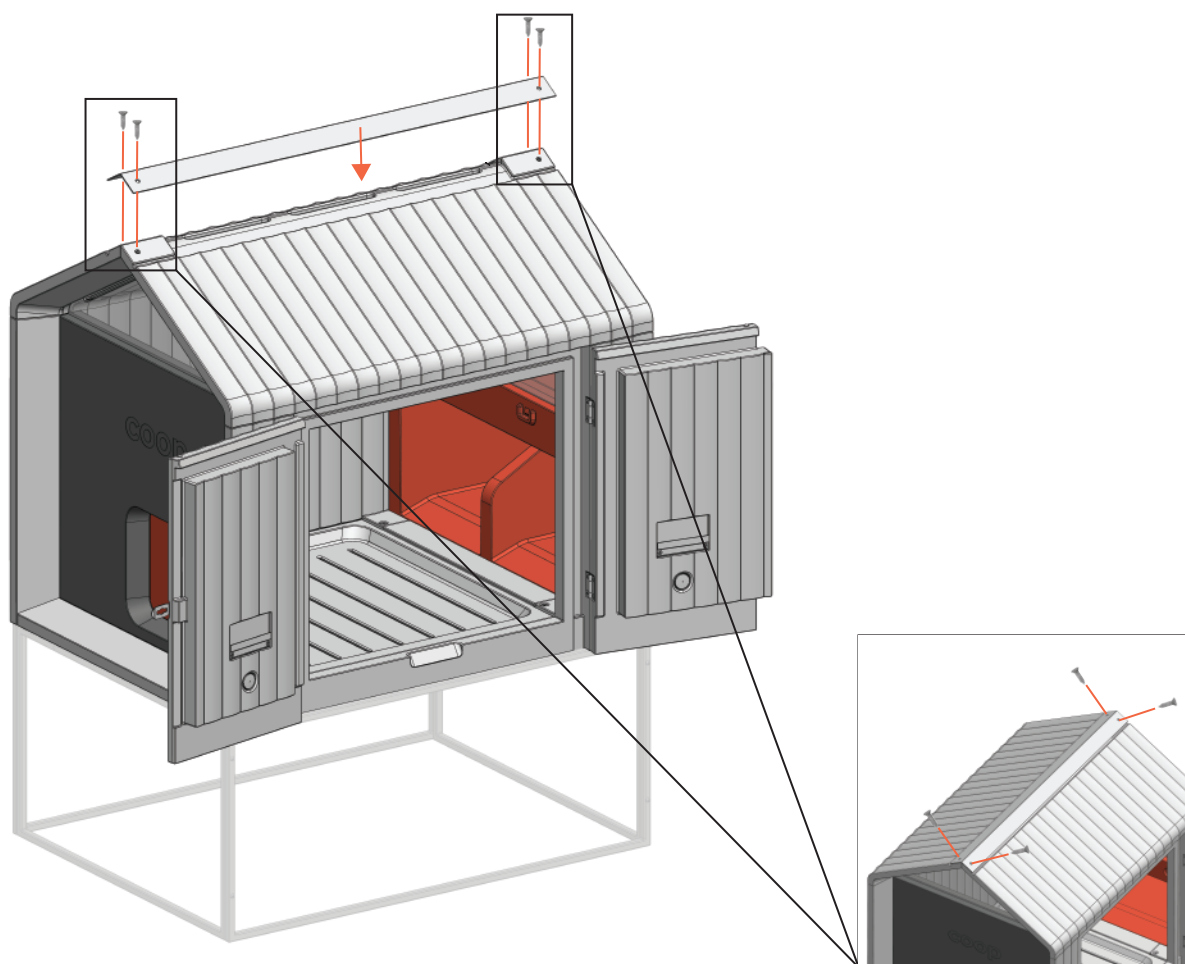
### what you need



3/4" Short Silver Screws



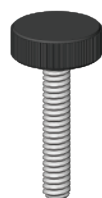
Roof Cap



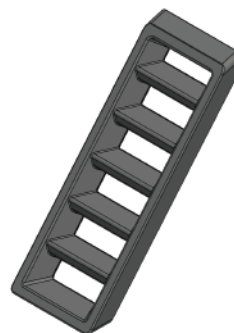
- Place the aluminum Roof Cap on top of the coop, aligning with the Roof Panels and edges.
- Secure with four 3/4" Short Silver Screws, connecting the Roof Cap to both Roof Panels.
- Tighten the screws firmly into place. Do not overtighten as this can strip plastic.

## step #11

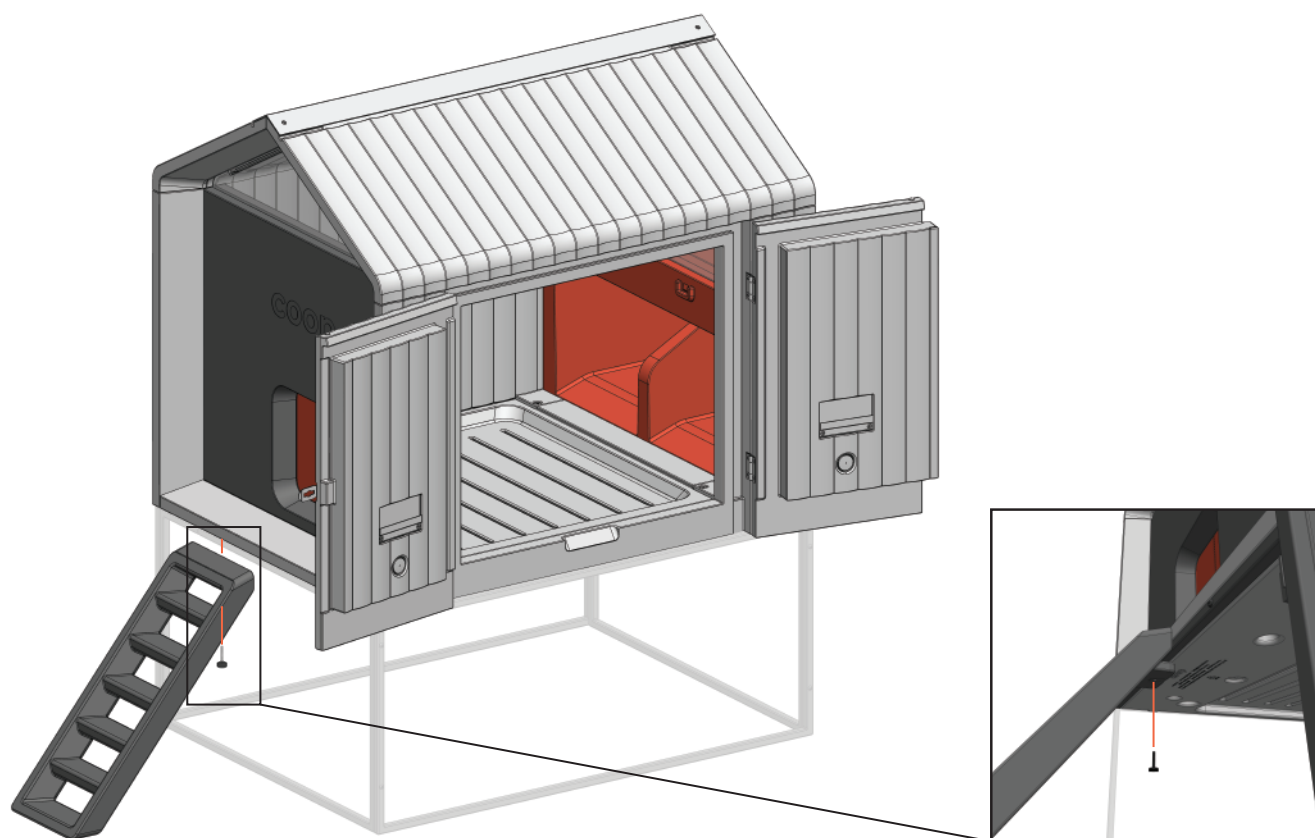
### what you need



Thumb Screw



Ladder



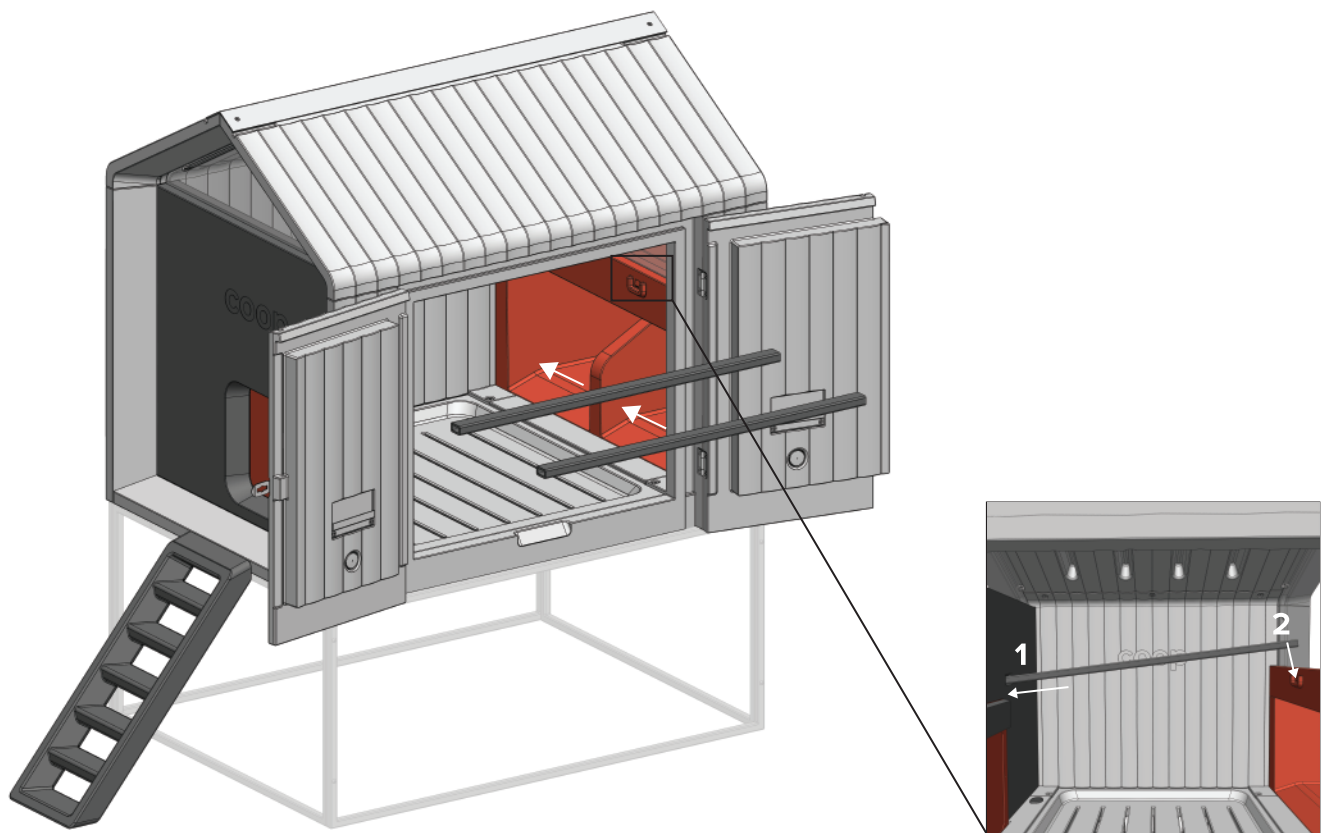
- Step into the Run
- Using Thumb Screw, connect the Ladder to the metal frame from the bottom of ladder and tighten into place.
- Ensure the ladder is securely fastened to the coop structure.

## step #12

### what you need



Roosting Bars

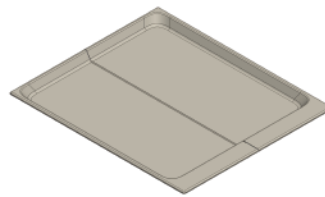


- Using access from Swing Doors, slide in each Roosting Bar, first attaching to the recess in the Front Wall, then into the U-shaped clamp near the Nesting Box.
- Check to see if your Roosting Bars match the diagram and are stable. This ensures the chickens have a comfortable and safe place to rest.

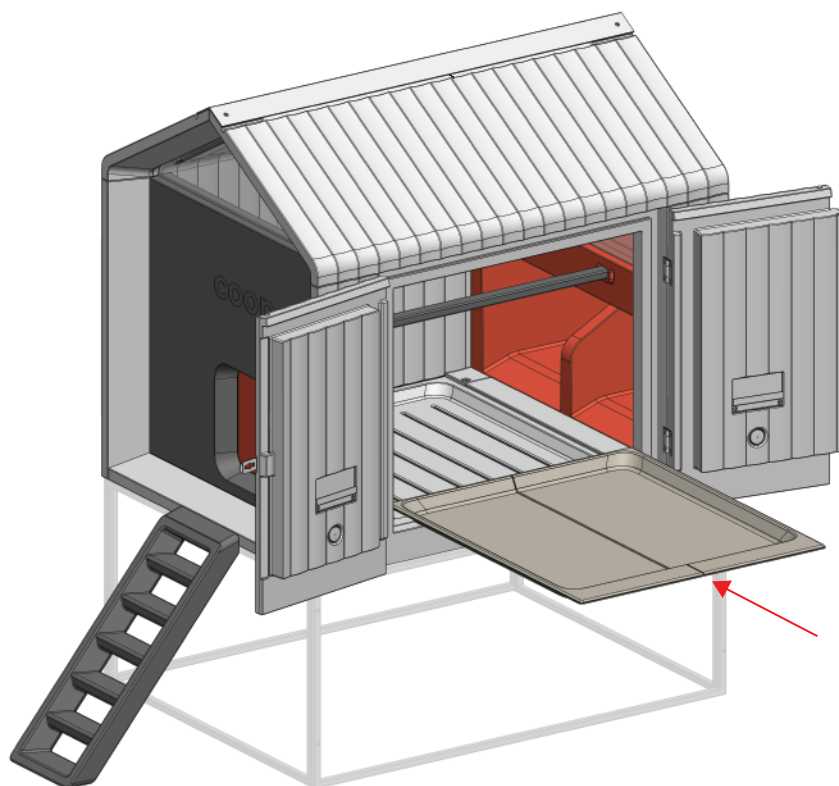


## step #13

### what you need



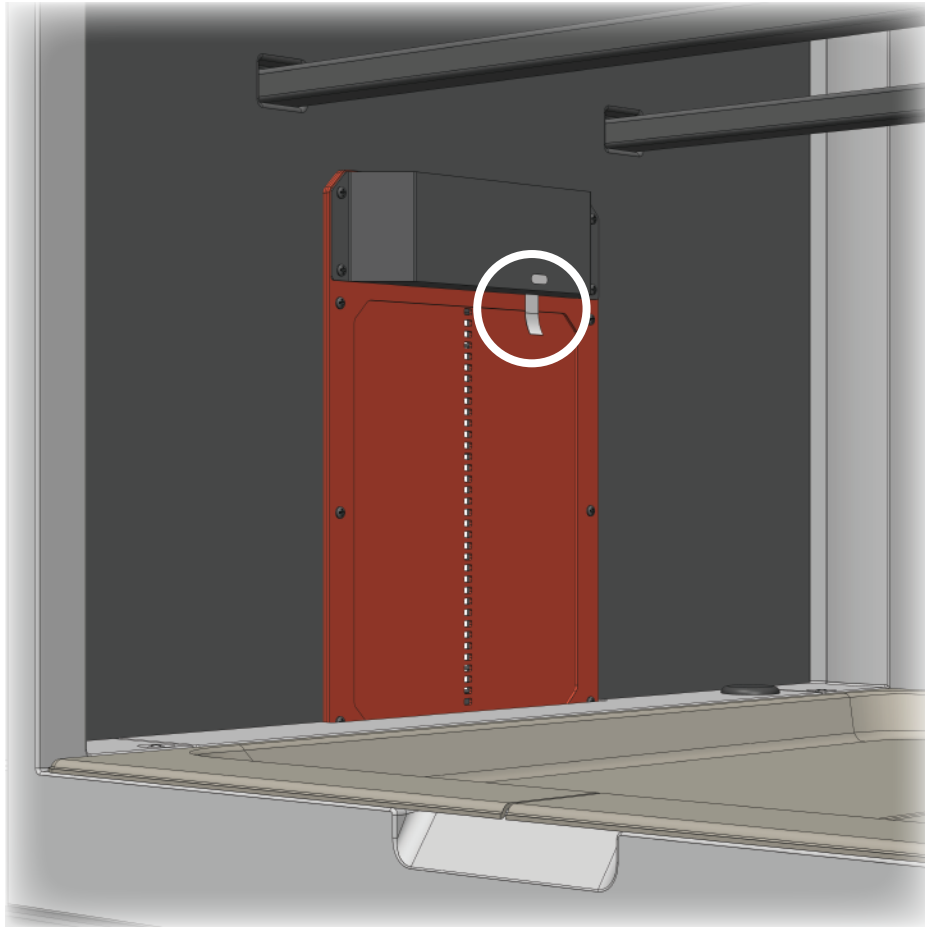
Compostable Litter Tray



- Slide the tray into the designated recessed area on the floor of the Coop, with “Bwok-Bwok!” closest to you.
- Ensure the tray fits securely and is positioned correctly within the coop.



# automatic chicken door activation



- To activate the Automatic Chicken Door, simply pull the plastic tab out of the black box at the top of the door. This will activate the pre-installed batteries, and turn on the auto open and close functions.
- Your Automatic Chicken Door will now open every morning at sunrise, and close every evening at sunset. The pre-installed batteries will last for a full year.
- Read more details on the following pages if you want to dive deeper.

**Congratulations, farmer! We are almost at the finish line. Fresh eggs daily await! We're so grateful you're part of our flock. ❤️**

**To finalize assembly you will need to activate and mount both CoopCams. Please proceed to surveillance camera set up pages!**

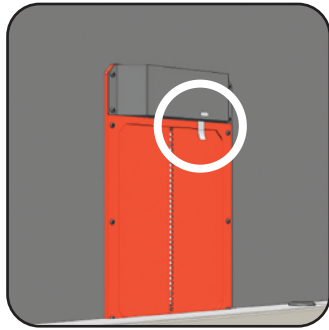


# Automatic Chicken Door



**operating details**

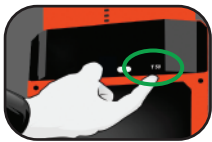
## door activation



Simply pull the plastic tab from the black battery compartment. This will activate **FACTORY SETTINGS MODE**. Your door is now programmed to automatically open at sunrise and close at sunset. That's it!

The default **FACTORY SETTINGS MODE** is designed to work exceptionally well with chicken's behavior, mirroring their natural morning and evening patterns. 95% of farmers use this default mode. However, if you'd like to fine-tune your daily settings, scan the QR code on the back of this guide.

## manual commands



Should you need to open or close your Door outside of the automatic sunrise and sunset events, locate the button at the right bottom of black battery compartment. Press the button and use the below light indicator guide:

 **UP**

If you see GREEN LED after pressing the BUTTON, the door will go up.

 **DOWN**

If you see RED LED after pressing the BUTTON, the door will go down. To stop the door inbetween press the BUTTON again.

   **FACTORY RESET**

If you hold the button for 15 seconds the Door will reset to **FACTORY SETTINGS MODE**. LED will sequentially run through **green**, **red** and **blue** colors.

## LED status



A **blinking red light** after the door is fully opened or closed typically indicates the batteries are dead and need immediately replacing.

A blinking red light can also indicate that the door is unable to close because of dirt or debris. To troubleshoot, clean the door as instructed further.

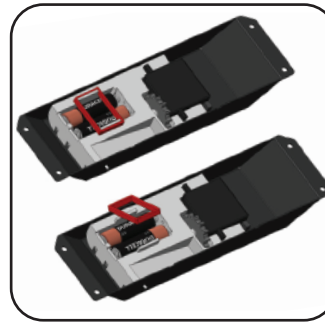


A **blinking blue light** indicates the door is in preparing mode to open or close.

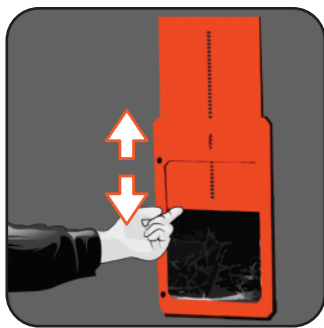
# battery replacement



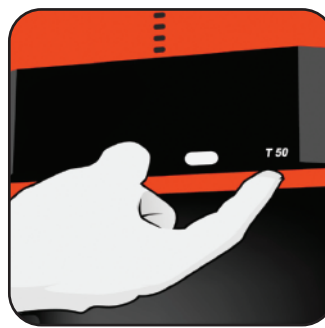
**Step 1.** Locate and unscrew four screws, one in each corner of the black housing where the motor unit and batteries are located.



**Step 2.** Remove the square battery plate and old batteries. Replace with 2 AA alkaline batteries and re-attach the plate.



**Step 3.** Before re-attaching the motor unit, manually test the door to ensure it is opening and closing smoothly.



**Step 4.** Using the same four screws, screw the motor unit back into place. Press the button to confirm the door is opening and closing normally.

## DO



Regularly wipe and clean the Door with a cloth and warm water to remove dirt inside crevices. During the winter, ensure the door remains dry and no ice buildup occurs.



To keep your Door operating smoothly in harsh weather, replace the batteries with 2 AA alkaline yearly in December.

## DON'T



Don't use any lubricant (e.g. WD-40). Greas will damage the mechanics.



Don't use rechargeable batteries, as differences in voltage can impact Door functionality.



Never use a pressure washer directly on the Door or battery compartment as it can lead to electronics damage and potential short circuiting.

# CoopCam



32 **operating details**

# about coopcam

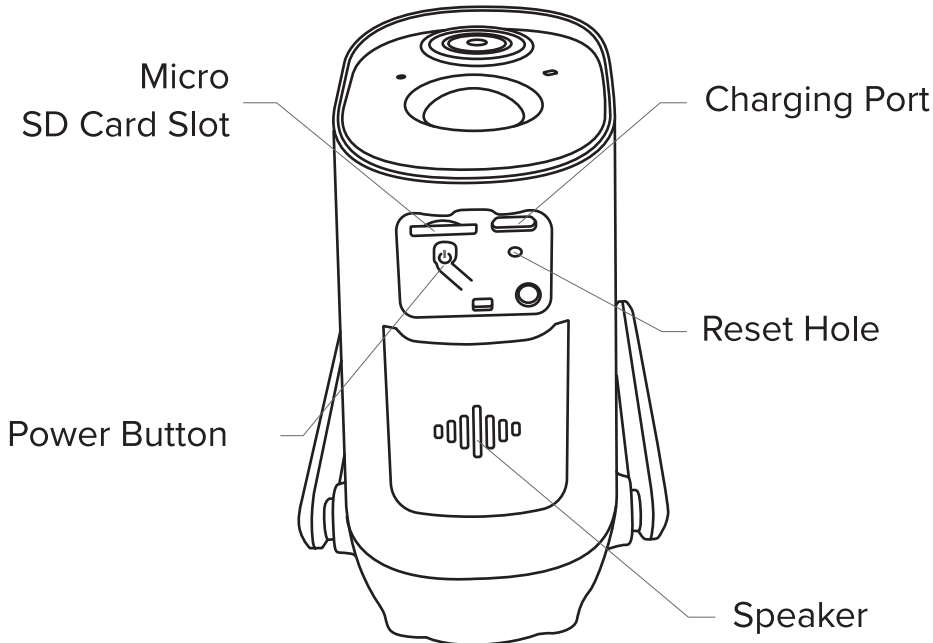
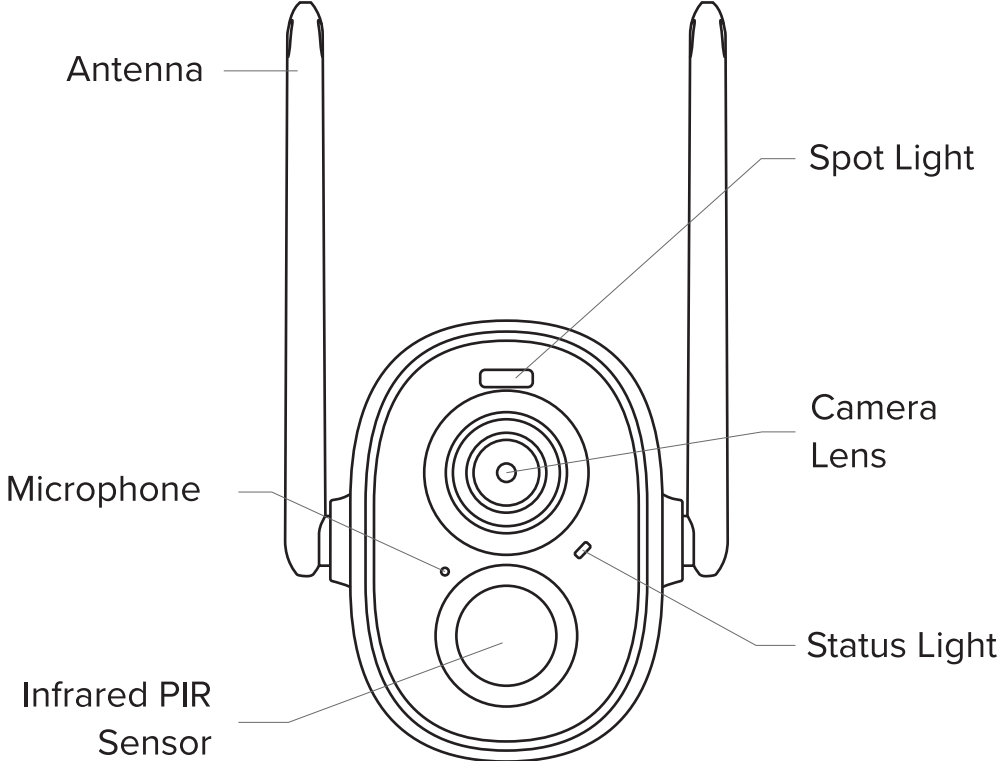
Coopcam is smart battery powered camera that carries intelligence of our famous Albert Eggstein. Albert provides meaningful help day and night in taking care of your chickens. You will be alerted if camera sees any predators, lovely eggs or opened door outside of normal hours. You can react remotely by turnign alarm or drop in with your own voice on camera such that chickens can hear you.

Note the following before installing:

- Your cameras come pre-chrged to about 50%. Start usign right away, but put them to charge durign the day time with first two weeks of use.
- Coopcams perform best in temperatures between 14°F and 122°F (-10°C and 50°C), with humidity below 95%. They may not function as expected outside of this range.
- Please position your coop appropriately in your backyard to avoid direct sunlight on the camera lense (and your hens!)
- Your Coopcam works with 2.4GHz Wi-Fi only as this band provides the longest reach. Position your coop within 100-150 feet of your router when installing in your backyard.

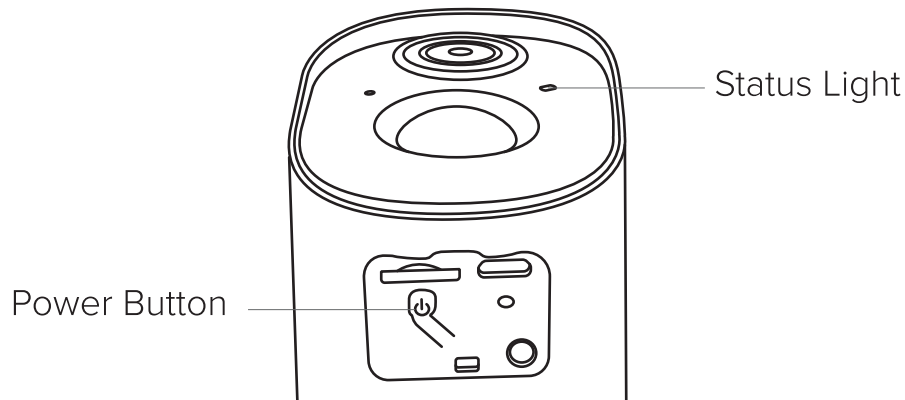
Let's get into cameras details and set up!

# camera structure





# turning the camera on & off



To turn on:

Press and hold the power button for 3 seconds. Once the status light is solid blue, double-click the power button to enter the Wi-Fi pairing mode, and listen for a soft tone to indicate pairing mode activation.

To turn off:

Press and hold the power button for 3 seconds, waiting for the status light to shut down.

# pairing with coop app



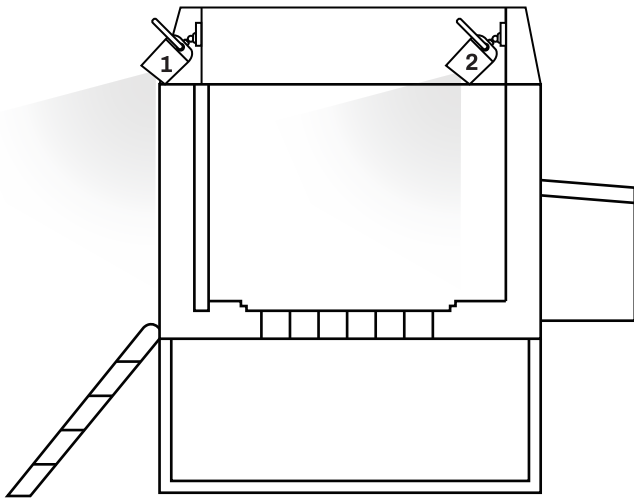
Download the Coop App from App Store or Google Play Store,\* and follow the in-app instructions to complete the setup of your coop.

\*Our Android app is set to launch later. In the meantime, Android users can easily access the web-based version.

# installing your coopcams

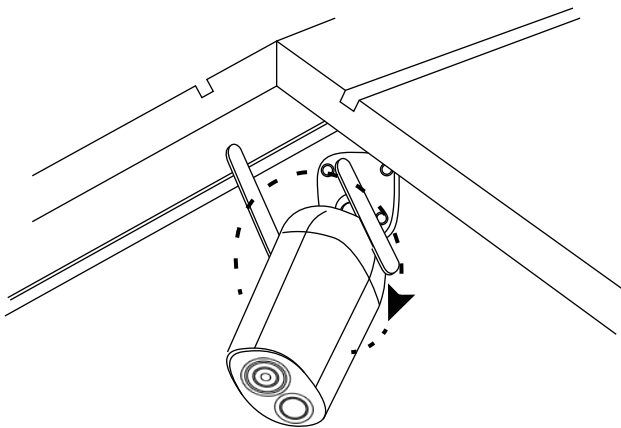
Please verify the below prior to mounting your internal and external cameras:

- Your CoopCam has been successfully added to your Coop App or Web Account.
- Your CoopCam is successfully streaming video.



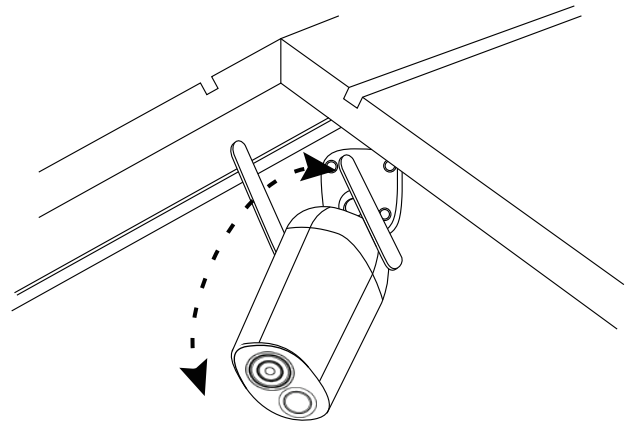
## Step 1:

Refer to the diagram to find the correct mounting angle for both the external (1) and internal (2) cameras. The cameras are identical, so it doesn't matter where you install them either. You'll differentiate between external and internal later in the Coop App. Please ensure there are no obstructions to your camera views, and cameras are successfully within Wi-Fi range.



## Step 2:

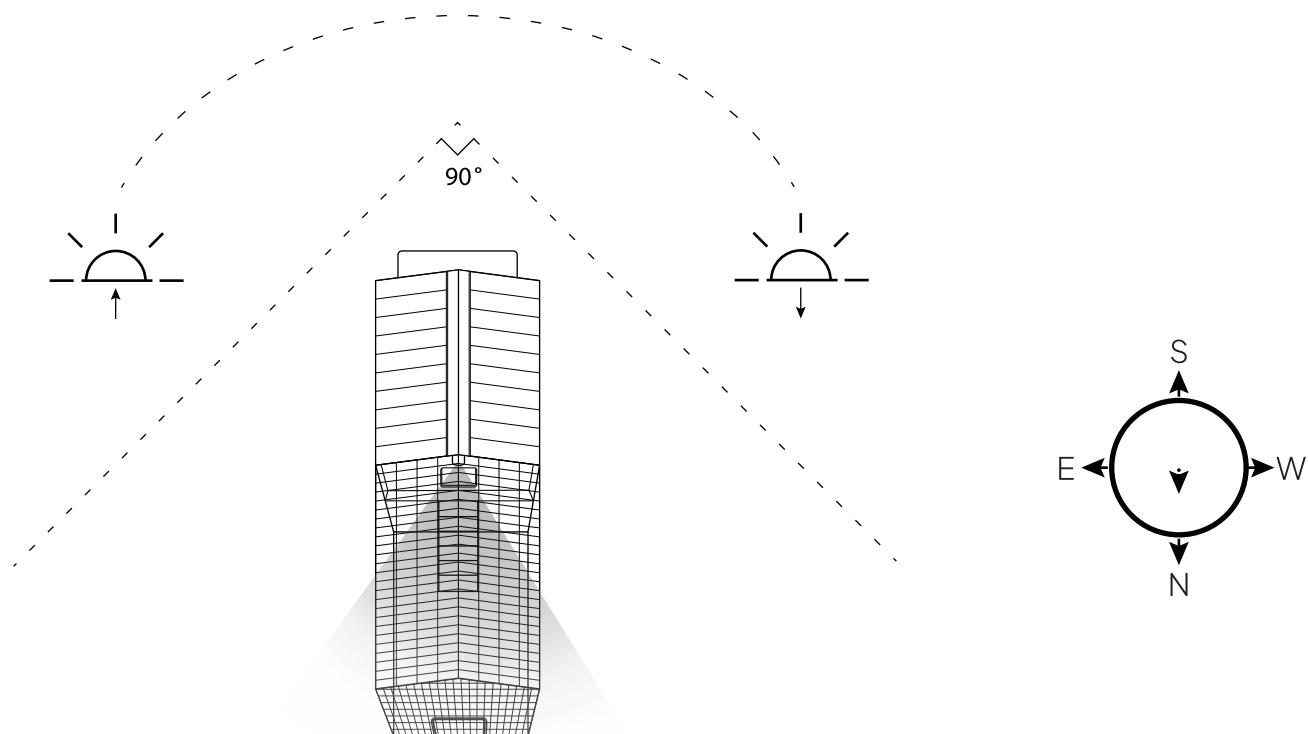
Align screw holes on the back side of the camera with the pre-installed bracket screw, and turn camera clockwise to tighten.



## Step 3:

Tilt camera to adjust angle and surveillance area as needed.

## positioning: avoid direct sunlight\*\*



To optimally position your camera and protect it from direct sunlight, follow these simple steps:

- Determine the sunrise and sunset points in your backyard
- Position your chicken coop with the nesting box facing south during midday, and the exterior camera facing north.
- The 90-degree angle between the northwest and northeast corners of your yard is the most desirable camera position, as illustrated on the next page. This doesn't need to be an exact science, but generally close.

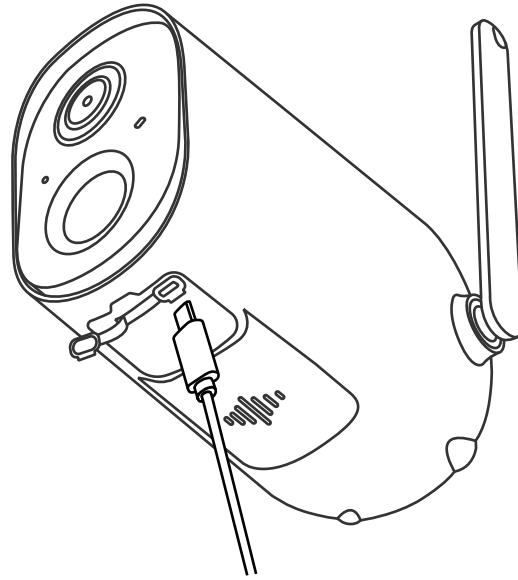
Adhering to these guidelines will keep your coop in optimal working condition year-round:

- Extended camera battery life due to prevention of overheating
- Improved visibility on sunny days
- Increased shade for chickens during daytime
- Enhanced performance of your automatic chicken door from direct sunlight on the rear window.

### \*\*Note

Your camera can face the sun if necessary if there is decent shade (tree, structure) during the day.

# battery charging



Charge your CoopCam conveniently with a micro-USB cable (adapter not included). Fully charge the camera batteries preferably during the day light time to minimize the time your active predators alert down time. Charging can take up to 14 hours.

The status light turns yellow when charging and green when fully charged. Enjoy up to 30 days of battery life once fully charged!

## status light

The CoopCams use LED status lights, located on the front panel, to show activity:

Status Light	Description
None	Offline or Standby
Blue Light	Online
Yellow Light	Charging mode
Green Light	Fully charged mode

# frequently asked questions

## **Q1: Will the camera show red lights when night vision is activated?**

The built-in infrared lamp LEDs make the camera only show some dim red lights when night vision is activated, but the image quality is still clear under no light environment.

## **Q2: What are the requirements for Wi-Fi?**

Please use a 2.4GHz wireless network. The device does not support the 5GHz wireless network. Meanwhile, please set the Wi-Fi authentication method to WPA2-PSK. A password is required.

## **Q3: How far should the camera be placed from the router?**

After testing, the Wi-Fi connection distance can normally reach up to 150 feet in the open area. However, the actual situation depends on the strength of Wi-Fi and its surrounding environment. If the camera connection signal is weak or unstable, please place the camera as close to the router as possible.

## **Q4: What should I do when the device is in malfunction?**

Long press the power button for 3 seconds to restart it. If there is no response, you can remove the rubber plug at the bottom of the camera. Press the button in the reboot hole with a pin to restart the camera.

## FCC warning

NOTE: This camera equipment has been tested and found to comply with the limits for a Class B digital device, pursuant to part 15 of the FCC Rules. These limits are designed to provide reasonable protection against harmful interference in a residential installation. This equipment generates uses and can radiate radio frequency energy and, if not installed and used in accordance with the instructions, may cause harmful interference to radio communications. However, there is no guarantee that interference will not occur in a particular installation. If this equipment does cause harmful interference to radio or television reception, which can be determined by turning the equipment off and on, the user is encouraged to try to correct the interference by one or more of the following measures:

- Reorient or relocate the receiving antenna.
- Increase the separation between the equipment and receiver.
- Connect the equipment into an outlet on a circuit different from that to which the receiver is connected.
- Consult the dealer or an experienced radio/TV technician for help.

The antennas used for this transmitter must be installed to provide a separation distance of at least 20 cm from all persons and must not be co-located for operating in conjunction with any other antenna or transmitter.

FCC (USA) 15.9 prohibition against eavesdropping except for the operations of law enforcement officers conducted under lawful authority, no person shall use, either directly or indirectly, a device operated pursuant to the provision of this part for the purpose of overhearing or recording the private conversations of others unless such use is authorized by all parties engaging in the conversation. Changes or modifications not expressly approved by the party responsible for compliance could void the user's authority to operate the equipment.

FCC ID: 2AXBN-GC7  
Camera Model: GC7  
Manufactured in P.R.C.

**farm your yard.™**

[www.coop.farm](http://www.coop.farm)

15807 Booth Circle, Volente, TX, USA 78641

(c) Coop, Inc. 2023

Model: CPBSV1

p/n 100-714 rev. June 2023

Designed in Texas, made in U.S.A.