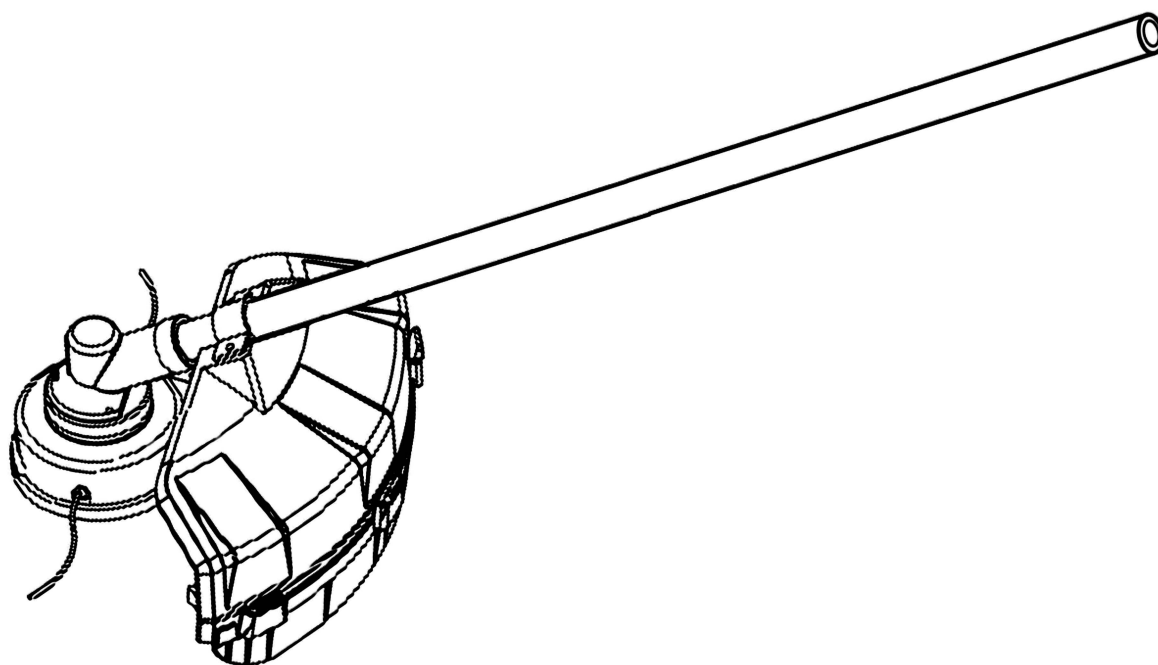


PRORUN®

TRIMMER ATTACHMENT MODEL: PPA100

Operator's Manual



Before operating, read the instructions.

⚠ IMPORTANT - READ CAREFULLY BEFORE USE

⚠ IMPORTANT SAFETY INSTRUCTIONS – SAVE THESE INSTRUCTIONS



WARNING: To reduce the risk of injury, the user must read and understand the Operator's Manual before using this product. Save these instructions for future reference.

Please let us know what you think.
To leave a review and see our full line of products, visit:

proruntech.com ★ ★ ★ ★ ★
1-844-905-0882, info@proruntech.com

Version: B - Issue Date: 2023/03/31

1. INFORMATION OF SYMBOLS



WARNING! The trimmer can be dangerous if used incorrectly or carelessly, and can cause serious or fatal injury to the operator or others. It is extremely important that you read and understand the contents of this owner's manual.



Please read the operator's manual carefully and make sure you understand the instructions before using the machine. Failure to do so can result in serious injury to the operator and/or bystanders.



Max. speed of output shaft (if applicable), rpm



Watch out for thrown objects and ricochets.



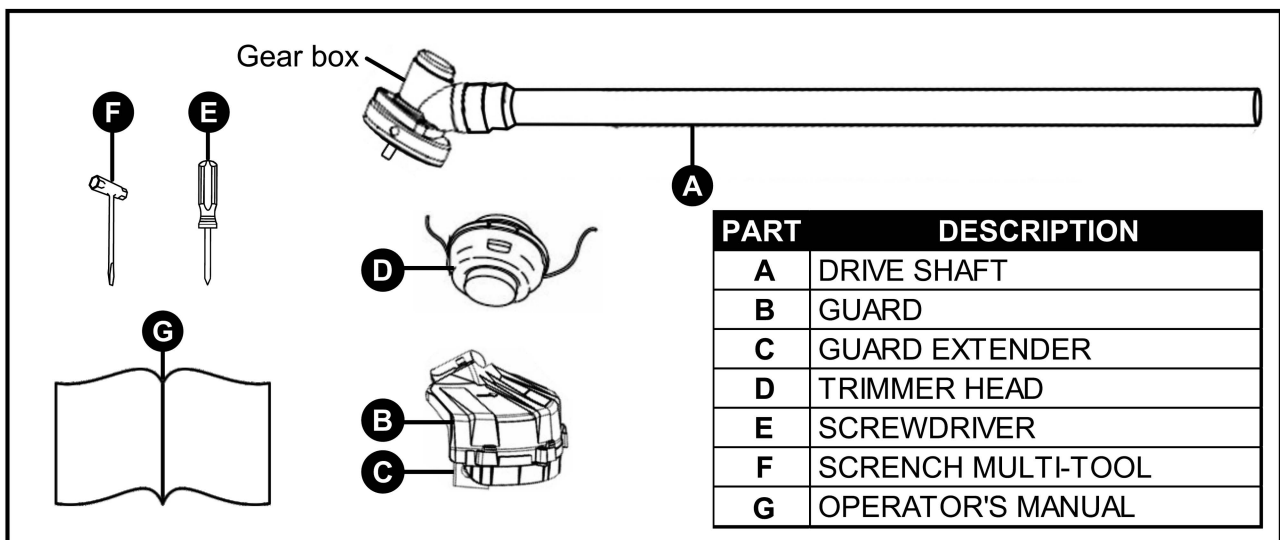
Do not use saw blades



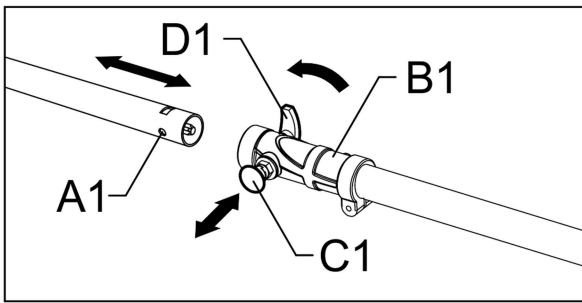
The operator of the machine must ensure, while working, that no persons or animals come closer than 50 ft. (15.25 m).

2. IDENTIFICATION

Components and Controls



3. CONNECTING THE TUBE



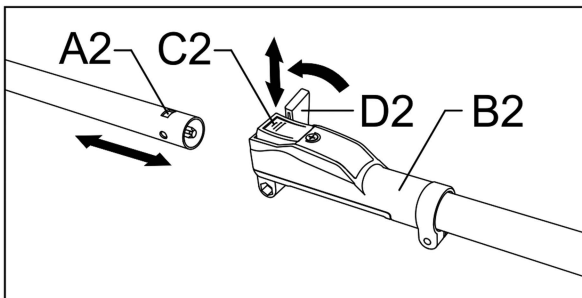
Connecting the attachment to the gas multi-tool powerhead

1. Align the round hole (A1) on the attachment's front tube and the lock pin (C1).
2. Pull the lock pin out while inserting the attachment tube into the connector (B1).

Push the attachment tube to the end until the lock pin aligns with the round hole.

3. Release the lock pin, it will return to its original position automatically and insert itself into the round hole on the attachment tube.
4. Make sure the attachment's tube cannot be rotated after the lock pin is back to its original position.
5. Turn the lock knob (D1) clockwise to tighten the attachment tube securely.

Connecting the attachment to the cordless multi-tool powerhead

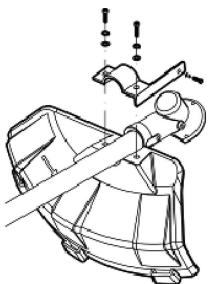


1. Align the rectangular hole (A2) on the attachment's front tube and the lock lever (C2).
2. Press down the lock lever while inserting the front tube into the connector (B2). Push the attachment tube to the end of the connector.

3. Release the lock lever, it will return to its original position automatically and insert the locking tab into the rectangular hole on the attachment tube.
4. Make sure the attachment's tube cannot be rotated after the lock pin is back to its original position.
5. Turn the lock knob (D2) clockwise to tighten the attachment tube securely.

4. FITTING THE GUARD EXTENSION

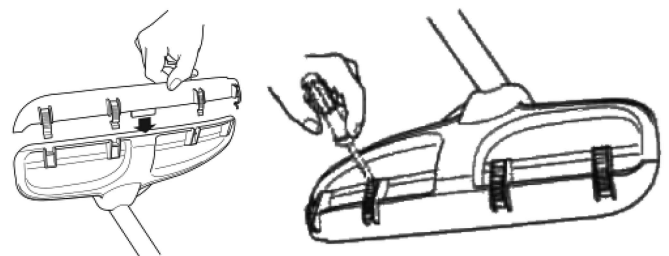
CAUTION! The guard extension should always be installed when using the trimmer head and combination guard. The guard extension should always be removed when using the bushcutter blade and cutting attachment guard.



Hook the cutting attachment guard/combination guard onto the fitting on the shaft and secure with three bolts.

To assemble the combination guard, push the guard extension clips into the slots of the cutting attachment guard until you hear audible clicks. Check to ensure that the guard extension is firmly attached to cutting edge guard.

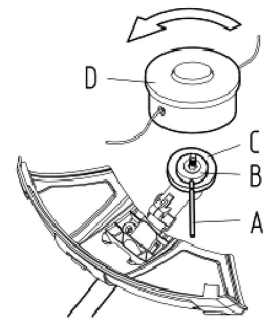
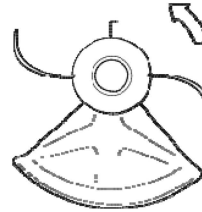
attached to cutting edge guard.



The guard extension is easily removed by using a screwdriver, see illustration.

5. FITTING THE TRIMMER HEAD

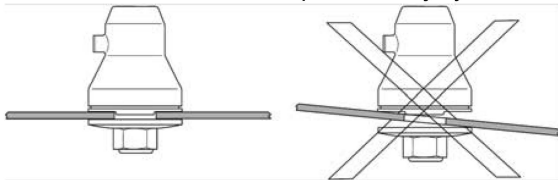
- Fit the correct trimmer cutting attachment guard for use with the trimmer head.
- CAUTION!** Ensure that the guard extension is fitted.
- Hook the trimmer cutting attachment guard /combination guard onto the fitting on the shaft and secure with three bolts.
- Fit the top clamping plate (B) onto the output shaft.
- Turn the blade shaft until one of the holes in the top clamping plate aligns with the corresponding hole in the top protecting cap (C).
- Insert the locking pin (A) in the hole to lock the shaft.
- Screw on the trimmer head (D) in the opposite direction to the direction of rotation.



To dismantle, follow the instructions in the reverse order.

⚠ WARNING

When fitting the bushcutter blade it is extremely important that the raised section on the top clamping plate/support flange engages correctly in the center hole of the cutting attachment. If the cutting attachment is fitted incorrectly it can result in serious and/or fatal personal injury.



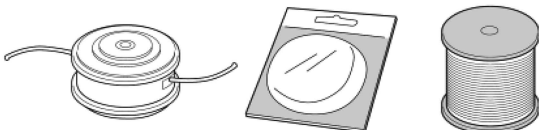
Never use any cutting attachment without an approved guard. See the chapter on Technical data. An incorrect or faulty fitted guard can cause serious personal injury.

⚠ IMPORTANT

If a bushcutter blade is to be used the machine must be equipped with the correct handlebar, blade guard and harness.

IMPORTANT! Always ensure the trimmer line is wound tightly and evenly around the drum, otherwise the machine will generate harmful vibration.

Only use the recommended trimmer heads and trimmer lines. These have been tested by the manufacturer to suit a particular engine size. This is especially important when a fully automatic trimmer head is used. Only use the recommended cutting attachment. See the chapter on Technical data.



Smaller machines generally require small trimmer heads, and vice versa, because the machine's engine must throw out the trimmer line radially from the trimmer head and overcome the resistance of the grass being cleared.

The length of the trimmer line is also important. A longer line requires greater engine power than a shorter line of the same diameter.

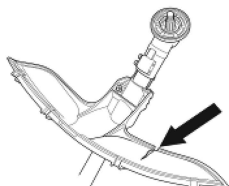
Make sure that the metal line-cutting blade on the trimmer guard is intact. This is used to cut the trimmer line to the correct length.

The life of the trimmer line can be increased when it is soaked in water for a couple of days.

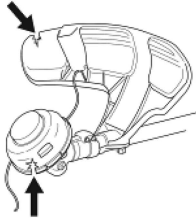
This will make the line tougher so that it lasts longer.

6. CHECK BEFORE STARTING

- Inspect the working area. Remove any objects that could be thrown out.
- Never use the machine without a cutting attachment guard nor with a defective guard.
- Check that the cutting attachment guard is not damaged or cracked. Replace the cutting attachment guard if it is exposed to impact or is cracked.



- Check that the trimmer head and trimmer cutting attachment guard are not damaged or cracked. Replace the trimmer head or trimmer guard if they have been exposed to impact or are cracked.



- Ensure that the machine is correctly located in a designated working position before starting the engine.
- Make sure the gear box and transmission is lubricated correctly. See instructions under the heading Gear housing.
- Only use the machine for the purpose it was intended for.

7. TECHNICAL DATA

Recommended cutting attachment	Type	Cutting width (mm)	Thickness of blade/ diameter of cutting line (mm)
Trimmer head	Non-metallic flexible cutting line	17 inches (430mm)	0.095 inches (2.4 mm)

PRORUN / TOPSUN USA
200 Overhill Drive, Suite A
Mooresville, NC 28117
Proruntech.com
info@proruntech.com
Phone: 1-844-905-0882

Zhejiang Zhongjian Technology Co., Ltd
Web: www.topsunpower.cc
E-mail: sales@topsunpower.cc
ADD: No.155 Mingyuan North AVE, Economic Development Zone,
Yongkang, Zhejiang, 321300, P.R.China
Made In China